

A photograph of a modern glass railing system installed on a set of stairs. The railing consists of clear glass panels held in place by stainless steel brackets. A warm, golden light emanates from a recessed channel within the top edge of the glass panels, creating a glowing effect. The background shows a blurred view of trees and a sky, suggesting an outdoor setting.

# GLASS RAILING SYSTEMS

**STERLING**  
**FRAMELESS**  
**RAILINGS**

# CONTENT

## Glass Railing

|                               |   |            |
|-------------------------------|---|------------|
| Bolts & Standoff \- Standoffs | : | GR2-GR5    |
| Base Shoe System              | : | GR6-GR7    |
| Spigots                       | : | GR8-GR9    |
| Glass Clamps & Bracket        | : | GR10-GR12  |
| Post & Post Accessories       | : | GR13-GR15  |
| Top Cap & Fittings            | : | GR16-GR19  |
| Hand Rail & Handrail Fittings | : | GR20-GR30  |
| LED Handrail                  | : | GR31       |
| Cable Railing                 | : | GR-32-GR37 |

# FRAMELESS GLASS RAILING



STAND OFF SERIES



## Available Finishes



CH BN MB MG RG

For 1/2" to 13/16" tempered glass  
3/8" drilled

Required 3/4" dia hole in glass

Customization available

4" Hanger bolt Included for Wood Installation

## ROUND PROFILE



PRE ASSEMBLED STAND OFF WITH 4" HANGER BOLT AND CAP

| Code  | Finish | Base Dia | Base Height | Profile | Thread Size | Grade |
|-------|--------|----------|-------------|---------|-------------|-------|
| 45001 | MG     | 2"       | 0.25"       | Round   | 3/8"        | 304   |
| 45002 | MG     | 2"       | 0.50"       | Round   | 3/8"        | 304   |
| 45003 | MG     | 2"       | 1.00"       | Round   | 3/8"        | 304   |
| 45004 | MG     | 2"       | 1.50"       | Round   | 3/8"        | 304   |
| 45005 | MG     | 2"       | 2.00"       | Round   | 3/8"        | 304   |
| 45015 | MG     | 2"       | CAP         | Round   | 3/8"        | 304   |



PRE ASSEMBLED STAND OFF WITH 4" HANGER BOLT AND CAP

| Code      | Finish | Base Dia | Base Height | Profile | Thread Size | Grade |
|-----------|--------|----------|-------------|---------|-------------|-------|
| ECO-45413 | MB     | 2"       | 1.00"       | Round   | 3/8"        | 304   |
| ECO-45414 | MB     | 2"       | 1.25"       | Round   | 3/8"        | 304   |
| ECO-45415 | MB     | 2"       | 1.50"       | Round   | 3/8"        | 304   |
| ECO-45417 | MB     | 2"       | 2.00"       | Round   | 3/8"        | 304   |
| ECO-45418 | MB     | 2"       | 2.50"       | Round   | 3/8"        | 304   |
| ECO-45419 | MB     | 2"       | 3.00"       | Round   | 3/8"        | 304   |



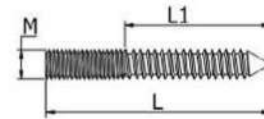
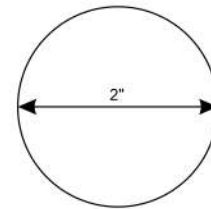
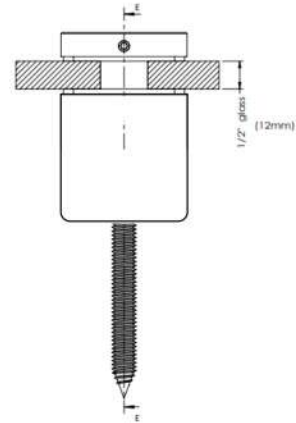
PRE ASSEMBLED STAND OFF WITH 4" HANGER BOLT AND CAP

| Code      | Finish | Base Dia | Base Height | Profile | Thread Size | Grade |
|-----------|--------|----------|-------------|---------|-------------|-------|
| ECO-45413 | CH     | 2"       | 1.00"       | Round   | 3/8"        | 304   |
| ECO-45414 | CH     | 2"       | 1.25"       | Round   | 3/8"        | 304   |
| ECO-45415 | CH     | 2"       | 1.50"       | Round   | 3/8"        | 304   |
| ECO-45417 | CH     | 2"       | 2.00"       | Round   | 3/8"        | 304   |
| ECO-45418 | CH     | 2"       | 2.50"       | Round   | 3/8"        | 304   |



PRE ASSEMBLED STAND OFF WITH 4" HANGER BOLT AND CAP

| Code      | Finish | Base Dia | Base Height | Profile | Thread Size | Grade |
|-----------|--------|----------|-------------|---------|-------------|-------|
| ECO-45413 | BN     | 2"       | 1.00"       | Round   | 3/8"        | 304   |
| ECO-45414 | BN     | 2"       | 1.25"       | Round   | 3/8"        | 304   |
| ECO-45415 | BN     | 2"       | 1.50"       | Round   | 3/8"        | 304   |
| ECO-45417 | BN     | 2"       | 2.00"       | Round   | 3/8"        | 304   |
| ECO-45418 | BN     | 2"       | 2.50"       | Round   | 3/8"        | 304   |



## SQUARE PROFILE



PRE ASSEMBLED STAND OFF WITH 4" HANGER BOLT AND CAP

| Code  | Finish | Width | Height | Profile | Thread Size | Grade |
|-------|--------|-------|--------|---------|-------------|-------|
| 47001 | MG     | 2"    | 1"     | Square  | 3/8"        | 304   |
| 47002 | MG     | 2"    | 1.5"   | Square  | 3/8"        | 304   |
| 47003 | MG     | 2"    | 2"     | Square  | 3/8"        | 304   |



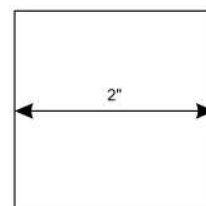
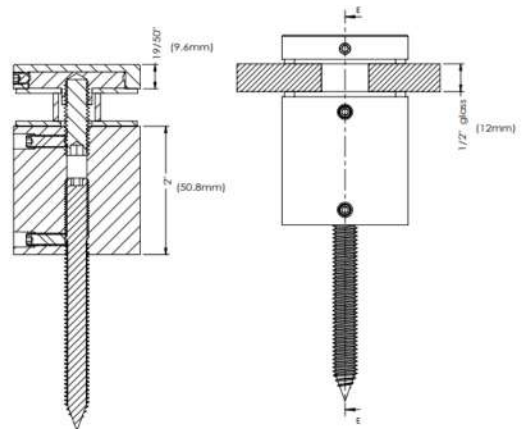
PRE ASSEMBLED STAND OFF WITH 4" HANGER BOLT AND CAP

| Code  | Finish | Width | Height | Profile | Thread Size | Grade |
|-------|--------|-------|--------|---------|-------------|-------|
| 47001 | MB     | 2"    | 1"     | Square  | 3/8"        | 304   |
| 47002 | MB     | 2"    | 1.5"   | Square  | 3/8"        | 304   |
| 47003 | MB     | 2"    | 2"     | Square  | 3/8"        | 304   |



PRE ASSEMBLED STAND OFF WITH 4" HANGER BOLT AND CAP

| Code  | Finish | Width | Height | Profile | Thread Size | Grade |
|-------|--------|-------|--------|---------|-------------|-------|
| 47001 | BN     | 2"    | 1"     | Square  | 3/8"        | 304   |
| 47002 | BN     | 2"    | 1.5"   | Square  | 3/8"        | 304   |
| 47003 | BN     | 2"    | 2"     | Square  | 3/8"        | 304   |



## STERLING STAND OFF SS316 BASE ORDERING GUIDE

### STAND OFF BASE 3/8" THREAD PROFILE

| CODE   | FINISH | BASE DIA | BASE HEIGHT |
|--------|--------|----------|-------------|
| 46101A | BN     | 1.5      | 0.25        |
| 46102  | BN     | 1.5      | 0.50        |
| 46102A | BN     | 1.5      | 0.75        |
| 46103  | BN     | 1.5      | 1.00        |
| 46103A | BN     | 1.5      | 1.25        |
| 46104  | BN     | 1.5      | 1.50        |
| 46104A | BN     | 1.5      | 1.75        |
| 46105  | BN     | 1.5      | 2.00        |
| 46101A | MB     | 1.5      | 0.25        |
| 46102  | MB     | 1.5      | 0.50        |
| 46102A | MB     | 1.5      | 0.75        |
| 46103  | MB     | 1.5      | 1.00        |
| 46103A | MB     | 1.5      | 1.25        |
| 46104  | MB     | 1.5      | 1.50        |
| 46104A | MB     | 1.5      | 1.75        |
| 46105  | MB     | 1.5      | 2.00        |

### STAND OFF BASE 1/2" THREAD PROFILE

| CODE  | FINISH | BASE DIA | BASE HEIGHT |
|-------|--------|----------|-------------|
| 46001 | BN     | 2"       | 0.25        |
| 46002 | BN     | 2"       | 0.50        |
| 46003 | BN     | 2"       | 1.00        |
| 46004 | BN     | 2"       | 1.50        |
| 46005 | BN     | 2"       | 2.00        |
| 46001 | MB     | 2"       | 0.25        |
| 46002 | MB     | 2"       | 0.50        |
| 46003 | MB     | 2"       | 1.00        |
| 46004 | MB     | 2"       | 1.50        |
| 46005 | MB     | 2"       | 2.00        |
| 44003 | CH     | 2"       | 1.00        |
| 44004 | CH     | 2"       | 1.50        |
| 44005 | CH     | 2"       | 2.00        |

### STAND OFF BASE 3/8" THREAD PROFILE

| CODE   | FINISH | BASE DIA | BASE HEIGHT |
|--------|--------|----------|-------------|
| 44001  | BN     | 2"       | 0.125       |
| 44001A | BN     | 2"       | 0.25        |
| 44002  | BN     | 2"       | 0.50        |
| 44002A | BN     | 2"       | 0.75        |
| 44003  | BN     | 2"       | 1.00        |
| 44003A | BN     | 2"       | 1.25        |
| 44004  | BN     | 2"       | 1.50        |
| 44004A | BN     | 2"       | 1.75        |
| 44005  | BN     | 2"       | 2.00        |
| 44005A | BN     | 2"       | 2.25        |
| 44006  | BN     | 2"       | 2.50        |
| 44006A | BN     | 2"       | 2.75        |
| 44007  | BN     | 2"       | 3.00        |
| 44024  | BN     | 2"       | 4.00        |
| 44025  | BN     | 2"       | 5.00        |
| 44026  | BN     | 2"       | 6.00        |

### STAND OFF BASE 3/8" THREAD PROFILE

| CODE   | FINISH | BASE DIA | BASE HEIGHT |
|--------|--------|----------|-------------|
| 44001  | MB     | 2"       | 0.125       |
| 44001A | MB     | 2"       | 0.25        |
| 44002  | MB     | 2"       | 0.50        |
| 44002A | MB     | 2"       | 0.75        |
| 44003  | MB     | 2"       | 1.00        |
| 44003A | MB     | 2"       | 1.25        |
| 44004  | MB     | 2"       | 1.50        |
| 44004A | MB     | 2"       | 1.75        |
| 44005  | MB     | 2"       | 2.00        |
| 44005A | MB     | 2"       | 2.25        |
| 44006  | MB     | 2"       | 2.50        |
| 44006A | MB     | 2"       | 2.75        |
| 44007  | MB     | 2"       | 3.00        |
| 44024  | MB     | 2"       | 4.00        |
| 44025  | MB     | 2"       | 5.00        |
| 44026  | MB     | 2"       | 6.00        |

### CAPS

| CODE  | FINISH | BASE DIA | THREAD |
|-------|--------|----------|--------|
| 44015 | BN     | 2"       | 3/8"   |
| 44015 | MB     | 2"       | 3/8"   |
| 44015 | MG     | 2"       | 3/8"   |
| 46015 | BN     | 2"       | 1/2"   |
| 46015 | MB     | 2"       | 1/2"   |
| 46015 | MG     | 2"       | 1/2"   |

### HANGER BOLT

| CODE  | GRADE | THREAD | TOTAL LENGTH |
|-------|-------|--------|--------------|
| 45020 | SS    | 3/8"   | 2"           |
| 45025 | SS    | 3/8"   | 2.5"         |
| 45030 | SS    | 3/8"   | 3"           |
| 45035 | SS    | 3/8"   | 3.5"         |
| 45040 | SS    | 3/8"   | 4"           |
| 45045 | SS    | 3/8"   | 4.5"         |
| 45050 | SS    | 3/8"   | 5"           |
| 45060 | SS    | 3/8"   | 6"           |
| 45070 | SS    | 3/8"   | 7"           |
| 45080 | SS    | 3/8"   | 8"           |

### GASKET

| CODE  | FINISH   | THICKNESS | STYLE         |
|-------|----------|-----------|---------------|
| 44025 | MB/CLEAR | 3/8"      | FLAT 2"       |
| 44026 | MB/CLEAR | 3/8"      | WITH LIP 2"   |
| 44027 | MB/CLEAR | 1/2"      | FLAT 2"       |
| 44028 | MB/CLEAR | 1/2"      | WITH LIP 2"   |
| 44029 | MB/CLEAR | 3/8"      | FLAT 1.5"     |
| 44030 | MB/CLEAR | 3/8"      | WITH LIP 1.5" |
| 44031 | MB/CLEAR | 3/8"      | FLAT 2X2      |

### HANGER BOLT

| CODE  | GRADE | LENGTH | THREAD |
|-------|-------|--------|--------|
| 45041 | ZINC  | 4"     | 3/8"   |
| 45051 | ZINC  | 5"     | 3/8"   |
| 45061 | ZINC  | 6"     | 3/8"   |
| 46040 | 304   | 4"     | 1/2"   |
| 46050 | 304   | 5"     | 1/2"   |
| 46060 | 304   | 6"     | 1/2"   |

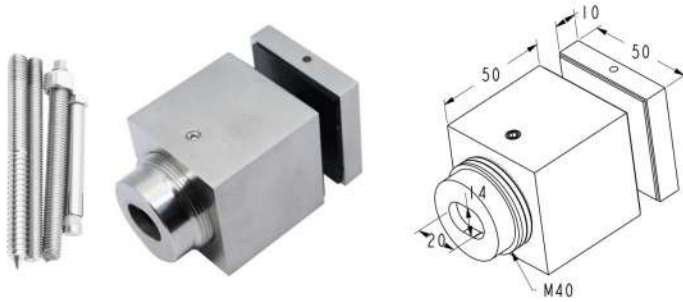
### THREADED RODS FOR CAPS

| CODE       | THREAD | GRADE | HEIGHT |
|------------|--------|-------|--------|
| 45042-1    | 3/8"   | 316   | 1.00"  |
| 45042-1.25 | 3/8"   | 316   | 1.25"  |
| 45042-1.50 | 3/8"   | 316   | 1.50"  |
| 45042-1.75 | 3/8"   | 316   | 1.75"  |
| 45042-2.00 | 3/8"   | 316   | 2.00"  |
| 45043-1    | 1/2"   | 316   | 1.00"  |
| 45043-1.5  | 1/2"   | 316   | 1.50"  |



Adjustable Stand off Round Profile

| CODE  | FINISH | DIA | LENGTH | GRADE | STYLE |
|-------|--------|-----|--------|-------|-------|
| 45505 | BN     | 2"  | 1.5"   | 304   | ROUND |
| 45506 | BN     | 2"  | 2"     | 304   | ROUND |
| 45505 | MB     | 2"  | 1.5"   | 304   | ROUND |
| 45506 | MB     | 2"  | 2"     | 304   | ROUND |



Adjustable Stand off Square Profile

| CODE    | FINISH | DIA | LENGTH | GRADE | STYLE  |
|---------|--------|-----|--------|-------|--------|
| 45505SQ | BN     | 2"  | 1.5"   | 304   | SQUARE |
| 45506SQ | BN     | 2"  | 2"     | 304   | SQUARE |
| 45505SQ | MB     | 2"  | 1.5"   | 304   | SQUARE |
| 45506SQ | MB     | 2"  | 2"     | 304   | SQUARE |

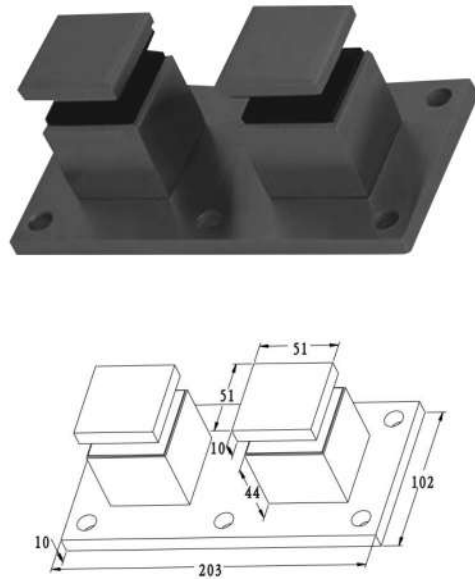
44010-SS/MB



- For 1/2" to 13/16" Tempered Glass
- 4" x 8" Wall Mount Plate with 2" Diameter Standoffs Spaced 4" Centre-to-Centre
- 50/40mm Standoff Length
- Required Two 3/4" (19mm) Diameters Holes in the Glass

Material : Duplex Stainless 2205, 316, 304

47005-SS/MB

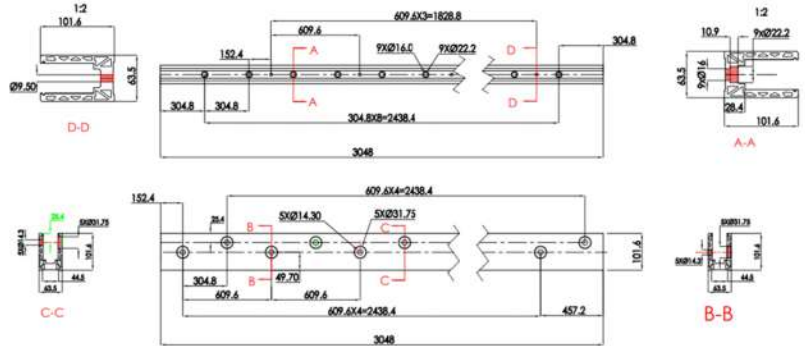


- For 1/2" to 13/16" Tempered Glass
- 4" x 8" Wall Mount Plate with 2" Square Stand offs Spaced 4" Centre-to-Centre
- 51/51/44 Standoff Length
- 2-pieces Cap Design Ensures Proper Alignment with Stand off Base
- Required Two 3/4" (19mm) Diameters Holes in the Glass

STAND OFF SERIES

COMBO [Side/Bottom] with Drainage Holes

15125



HOLLOW BASE SHOE PROFILE

STANDARD DUTY BASE SHOE DRY GLAZING SYSTEM

Adjustable Clamp for Dry Glaze/wet glazing.  
Interior or exterior Application.

Material 6063 : T5 Aluminum  
Stock Length : 10'  
Glass Thickness : 12mm

STERLING Innovative Design For Hollow Base Shoe Brings Ease To Contractors When Installing Side Or Bottom At Job Site, Having Drainage Holes Every 12 Inches Is An Excellent Idea For Rain Water Drainage.

15012-CH, MB, MG, BN - Cladding For 15125/15120



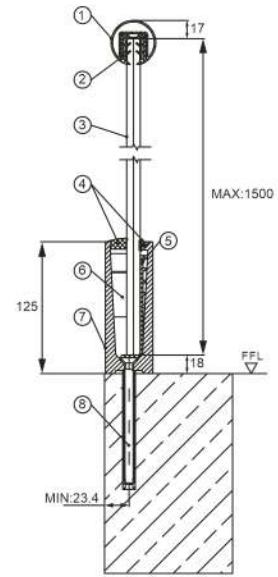
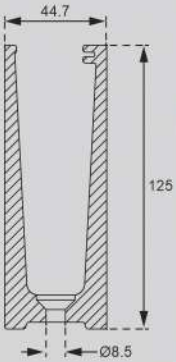
16000

Sterling ZENITH Series Super Adjustable Lock provides Tilt & Straight Option in either Direction, easy Access to tighten the Bolts

Can be used with 15020.

15126

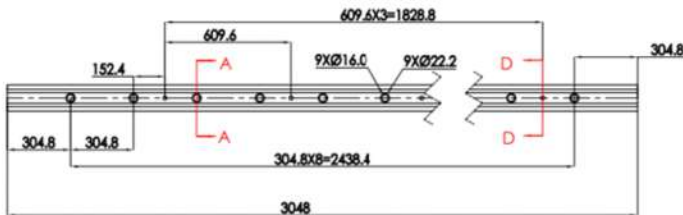
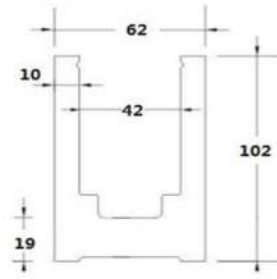
## SOLID BASE SHOE PROFILE-STANDARD DUTY



1. Slot tube (AISI304/316)
2. Rubber (EPDM)
3. Glass (10mm~17.52mm)
4. Rubber (EPDM)
5. Block A (ABS)
6. Fixed block B (ABS)
7. Aluminum profile (6063)
8. Expansion bolt (304)

15020

## SOLID BASE SHOE PROFILE - HEAVY DUTY



Usage : Interior, Exterior, Glass Railing & Wind Screen Application  
 Material : Aluminium 6063 T5  
 Stock Length : 10' / 20'  
 Hole Drilled every 12" [Side/Bottom Mount]

17000-SS

17000-GSA



Stainless Steel Anchor for Interior use



Galvanised Anchor for Exterior use



15013-End Cap for 15125/15020

15012-Cladding for 15020



### Available Finishes

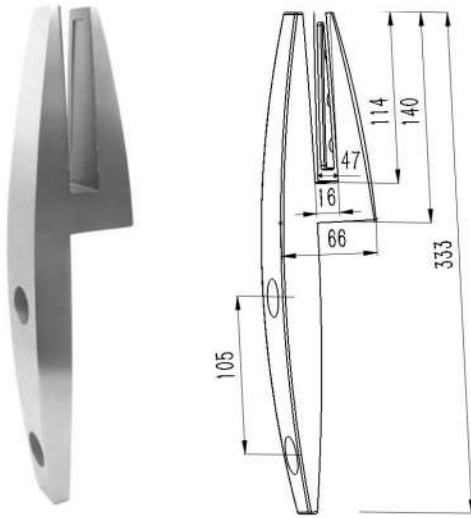




# FRAMELESS GLASS RAILING

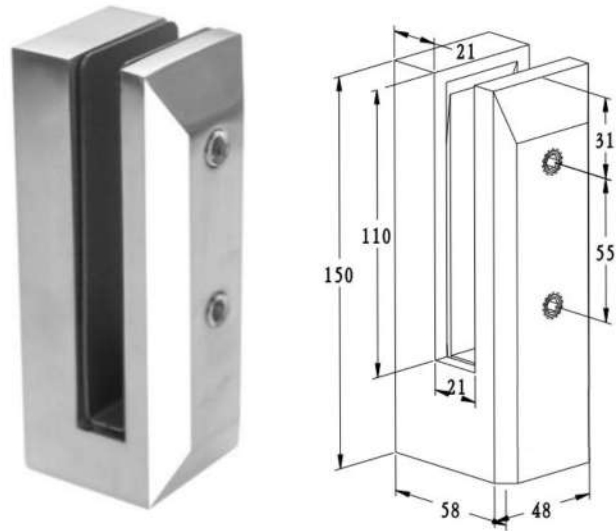


10906



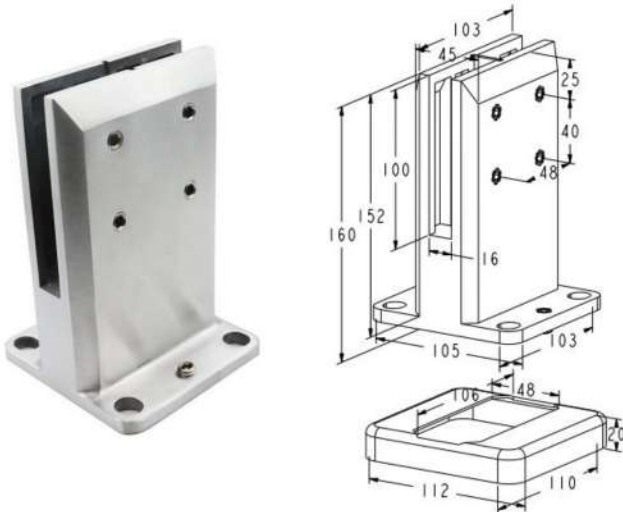
|          |                          |
|----------|--------------------------|
| Name     | Facia Mount Glass Spigot |
| Size     | 330x63mm                 |
| Material | 316                      |
| Glass    | 10-19mm                  |
| WT(KGS)  | 2.3/2.65KG               |

10903



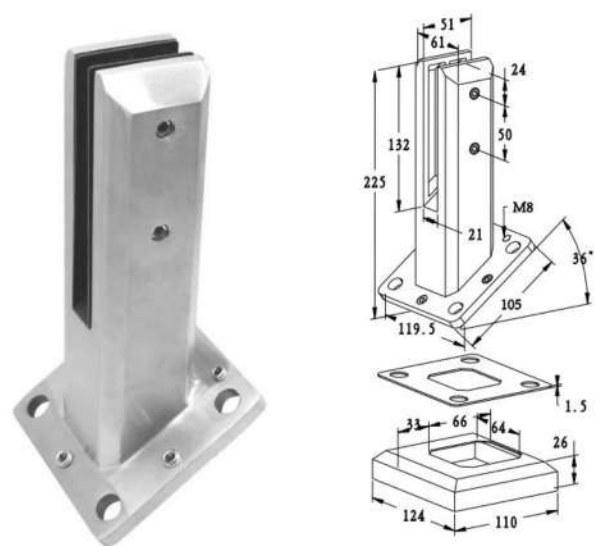
|          |                         |
|----------|-------------------------|
| Name     | Side Mount Glass Spigot |
| Size     | 150x58x48mm             |
| Material | 316, 304                |
| Glass    | 10-19mm                 |
| WT(KGS)  | 1.85KG                  |

10902-180S



|          |   |
|----------|---|
| Name     | Bottom mount 180° Straight Glass Spigot |
| Size     | 160x103x45mm                            |
| Material | 316, 304                                |
| Glass    | 10-12mm                                 |
| WT(KGS)  | 2.5KG                                   |

10900



|          |                            |
|----------|----------------------------|
| Name     | Tangent Mount Glass Spigot |
| Size     | 51x61x225mm                |
| Material | 316, 304                   |
| Glass    | 12mm                       |
| WT(KGS)  | 2KG                        |

## Available Finishes



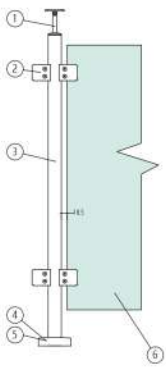
CH BN MB MG RG

SPIGOT RAILING

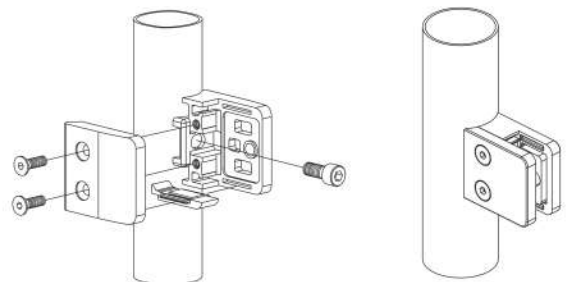
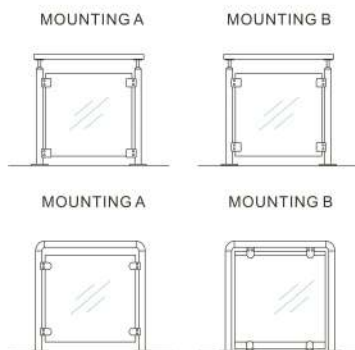
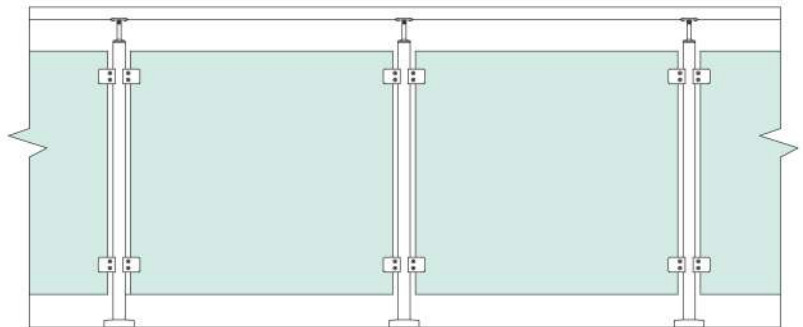
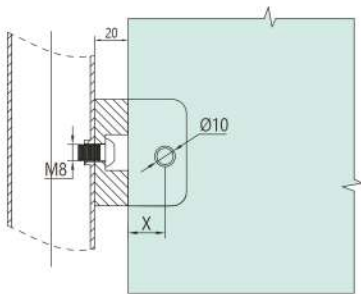
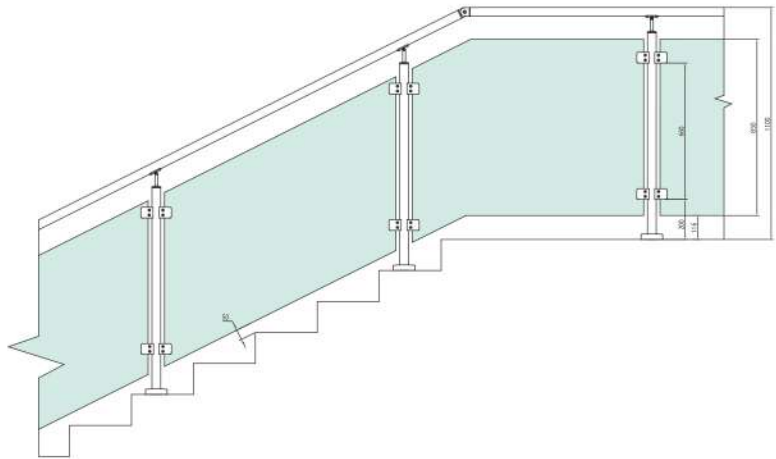
# FRAMELESS GLASS RAILING



# GLASS CLAMPS/BRACKETS/CONNECTORS



- ① Post Mount
- ② Glass clamp
- ③ 50.8mm tube
- ④ Base cover
- ⑤ Base plate
- ⑥ Glass



# GLASS CLAMPS/BRACKETS/CONNECTORS



10116 RWTG-2" Dia



10116 RGTG-2" Dia



10116 FWTG-2" Dia



10116 FGTG-2" Dia



10110 ZAMAK-55x55mm



10111 SS316-55x55mm



10114 ZAMAK-45x45mm



10115 SS316-45x45mm



10133 ZAMAK-55x55mm



10131 SS316-55x55mm



10122 ZAMAK-45x45mm



10121 SS316-45x45mm



10134 ZAMAK/SS-55x55mm



10135 316/SS-55x55mm



10136 ZAMAK-45x45mm



P45-10112-6mm/8mm/10mm

P55-10113-6mm/8mm/10mm



10137 SS304/316-2" Dia



10138 SS304/316-2" Dia



10139 GTG FLEXIBLE BRACKET



10140 PTG FLEXIBLE BRACKET

## Available Finishes



CH BN MB MG



Bolt 3/8"-16 x 5/8" Long



5/16"-18 X 1" Long



5/16" Dia. x 2" Long

GLASS CLAMPS/BRACKETS/CONNECTORS

# GLASS CLAMPS/BRACKETS/CONNECTORS

## A SLIMMER FRAMELESS PANEL SUPPORT SYSTEM

for 10mm to 12 mm Glass  
 Supplied with Rubbers  
 SS304,SS316



10104 Glass to Glass 3 Way Stiffener



10105 Wall to Glass stiffener



10105A Wall to Glass Elongated Stiffener



10106 Glass to Glass Adjustable Stiffener



10107 Glass to Glass Fixed Stiffener



10107A Glass to Glass Heavy Duty Stiffener



10108 Glass to Glass 90 Deg Stiffener



10109 Wall to Glass Adjustable Stiffener

### Available Finishes



BN

MB

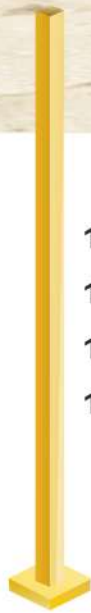


POST & POST ACCESSORIES



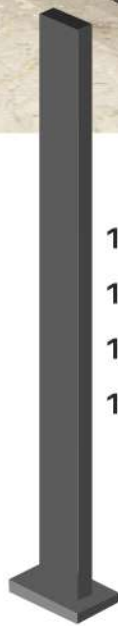
10019B-304  
10019-316  
10019B-BN  
10019B-MB

**ROUND POST**  
38.1x1.5mm, (Height 40")  
with weldable plate  
10090 and cover plate



11040B-304  
11040-316  
11040B-BN  
11040B-MB

**SQUARE POST**  
40X40mm (Height 40")  
with weldable base plate  
11020 and cover plate



12010B-304  
12010-316  
12010B-BN  
12010B-MB

**RECTANGULAR POST**  
50x25mm (Height 40")  
with weldable plate and  
cover plate



66110B-304  
66110-316  
66110B-BN  
66110B-MB

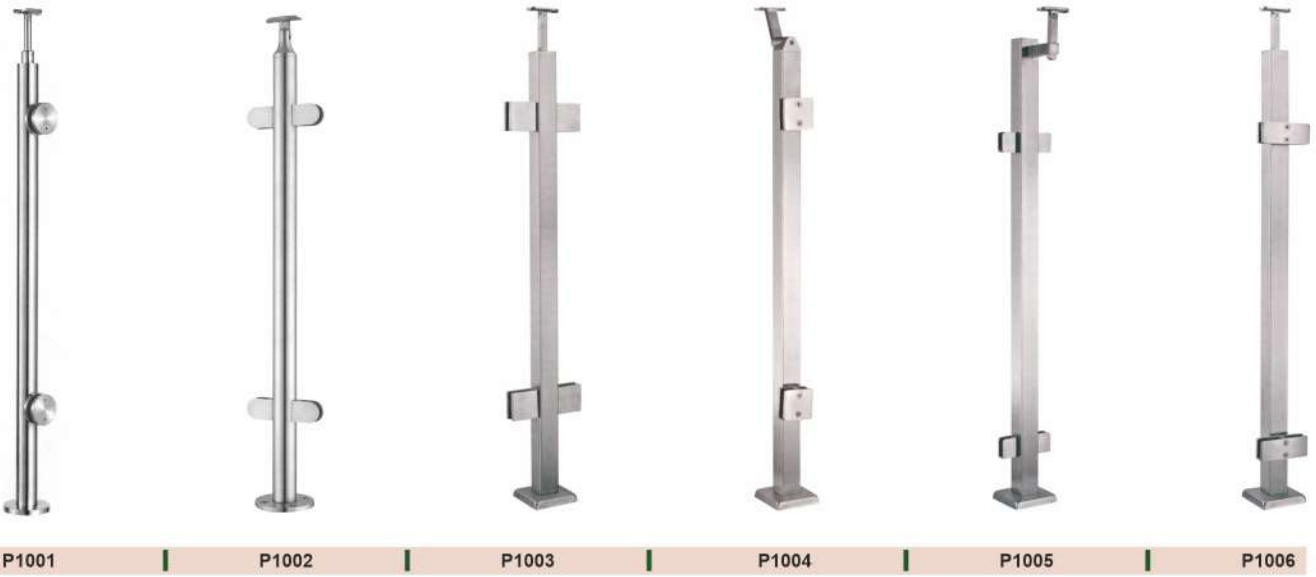
**CABLE RAILING POST**  
40x40mm (Height 40")  
with weldable plate  
11020 and cover plate

**Available Finishes**



\* Brackets & Top Mounts sold separately  
\* Height of any post can be customised

ARCHITECTS CHOICE - PRE ASSEMBLED POSTS



READYMADE POST AVAILABLE FOR LARGE PROJECTS

STERLING Offers Elegant Pre-assembled Balustrade System That Enables Architects To Choose From Variety Of Interior & Exterior Post Styles. Selection Of Different Finishes, Heights & Components Are An Extra Advantage To Your Hearts Content. No Welding, Gluing, Drilling & Tapping. Usage : Interior, Exterior, Stairs, Decks & Residential/commercial Balconies. All These Components Are Also Available Part By Part Separately.

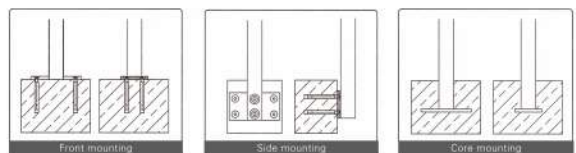


POST & POST ACCESSORIES

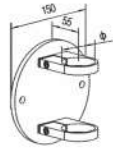
Available Finishes



\* Brackets & Top Mounts sold separately  
 \* Height of any post can be customised  
 \* SS 304/SS316



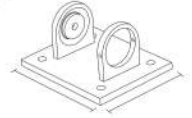
# POST & POST ACCESSORIES



10018-R



10093



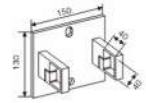
10018-SQ



10637



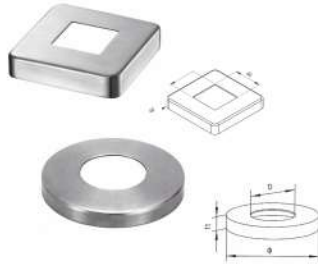
11019-RADJ



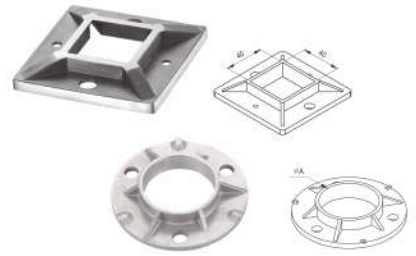
11033



SS BASE PLATE 11120/10091



BASE PLATE COVER-11013/10070



SS BASE PLATE 11020/10090



11019 FS/RS



11093FS/RS



10011 FS/RS



10013 FS/RS



10640



11640



10016 DS/10015SS

## Available Finishes



BN MB



10013 R90



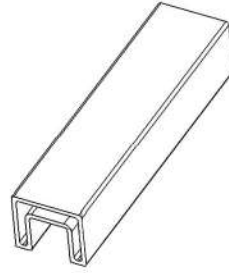
10013 FS

POST & POST ACCESSORIES



# TOP CAP & FITTINGS

## FERRIER SERIES



**16003 BN/MB  
U CHANNEL**  
25x22x25 (14x14 slot) mm  
Heavy Duty Hollow Series SS316 19.20FT LONG



FERRIER U CHANNEL GASKET  
16004

**16006  
90° CONNECTOR**



**16006A  
Fixed Vertical connector**



**16007  
180° Connector**



**16008  
Swivel-Vertical Connector**



**16009  
Swivel-Horizontal Connector**



**16010  
Wall Flange**



**16005  
End Cap**



**16012  
180° Elongated Slot Tube Connector**



### Available Finishes



BN MB

FERRIER TOP CAP & FITTINGS

# TOP CAP & FITTINGS



## U TUBE ROUND PROFILE



10020 BN/MB  
Rail Pipe U Tube SS304 19ft 42.4x1.5mm  
10021 BN/MB  
Rail Pipe U Tube SS316 19ft 42.4x1.5mm



10034 U Tube Gasket (10mm glass)  
10035 U Tube Gasket (12mm glass)



### 10022 U TUBE END CAP



### 10023 U TUBE FLANGE



### 10024 U TUBE CONNECTOR



### 10025 U TUBE SUPPORT



### 10026 U TUBE 90 DEG ELBOW SIDEWAYS CUT



### 10027 U TUBE 90DEG ELBOW VERTICAL



### 10028 U TUBE FLEXIBLE 90



### 10036 U TUBE HORIZONTAL 90° ADJUSTABLE ELBOW CONNECTOR



### Available Finishes

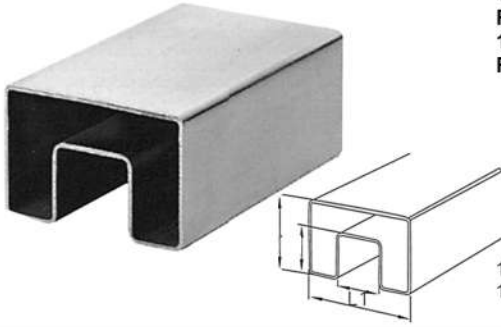


BN MB

ROUND TOP CAP & FITTINGS

# TOP CAP & FITTINGS

## U TUBE SQUARE PROFILE



**10029**  
 Rail Pipe U Tube SS304 19ft 42.4x1.5mm  
**10029B BN/MB**  
 Rail Pipe U Tube SS316 19ft 42.4x1.5mm



**10034** U Tube Gasket (10mm glass)  
**10035** U Tube Gasket (12mm glass)



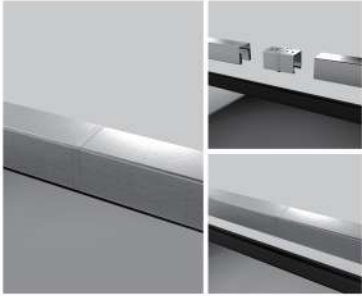
### 11022 U TUBE END CAP



### 11023 U TUBE FLANGE



### 11024 U TUBE CONNECTOR



### 11028 U TUBE FLEXIBLE 90° Vert.



### 11026 U TUBE 90° ELBOW SIDE WAYS CUT



### 11027 U TUBE 90° ELBOW VERTICAL



**65006**  
 FINE GRIT ABRASIVE PADS



**65001**  
 LOCTITE HEAVY DUTY  
 METAL ADHESIVE



**65002**  
 LOCTITE - PRIMER



**65007**  
 MICRO FIBRE CLOTH



### Available Finishes



BN MB

SQUARE TOP CAP & FITTINGS

## 2" TOP CAP & FITTINGS

### 2" U TUBE ROUND PROFILE



11041  
2" Dia Stainless Steel Slot Tube: 50.8x1.5 thickness  
(slot size 20x20mm) Length = 5800mm



11042 Gasket for 50.8mm Slot Tube - 12mm glass

### 11043 U TUBE END CAP



### 11044 U TUBE ROUND END CAP WITH SLOT



### 11045 U TUBE CONNECTOR



### 11046 U TUBE 90° ELBOW SIDE WAYS CUT



### 11047 U TUBE 90° ELBOW VERTICAL



### 11048 U TUBE FLANGE



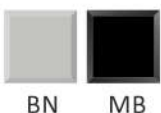
## STAINLESS STEEL WELDABLE CHANNEL GLAZERS POPULAR CHOICE

15003-B TOP CHANNEL 25X22X25  
2.5MM 5800MM LENGTH SS304 20'

15003 TOP CHANNEL 25X22X25  
2.5MM 5800MM LENGTH SS316 20'



### Available Finishes



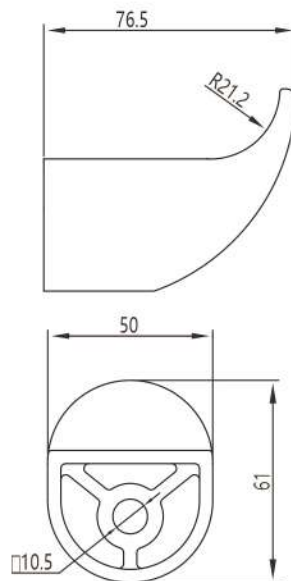
BN MB

|   |  |
|---|--|
| <p>15007 BN/MB INTERNAL SLEEVE<br/>90° HORIZONTAL</p> | <p>15006 BN/MB INTERNAL SLEEVE<br/>135° HORIZONTAL</p> |
| <p>15005 BN/MB FLAT END CAP</p>                       | <p>15005W BN/MB<br/>WALL MOUNT END CAP</p>             |
| <p>15008 BN/MB<br/>90° SPLICE CONNECTOR</p>           | <p>15004 GASKET FOR 15003/150003B<br/>U CHANNEL</p>    |

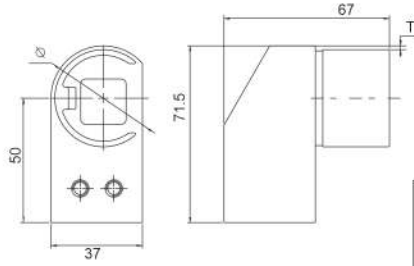


**JULIET STYLE  
FRAMELESS BALCONY  
GLASS RAILING SYSTEM**

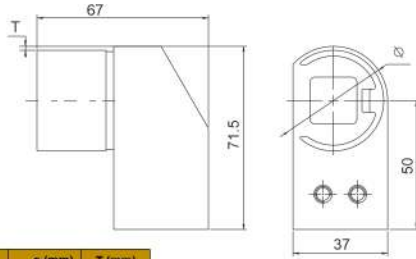
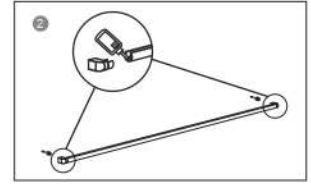
Frameless balcony glass railing system could enhance the protection of the windows, it looks beautiful and elegant.



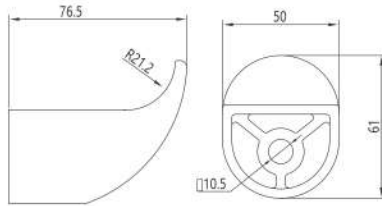
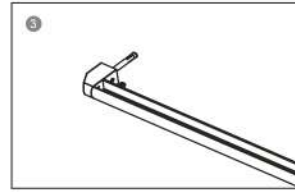
# HANDRAIL/HANDRAIL FITTINGS/HANDRAIL BRACKETS



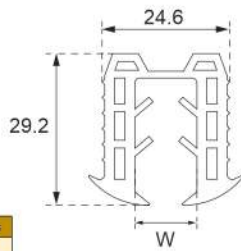
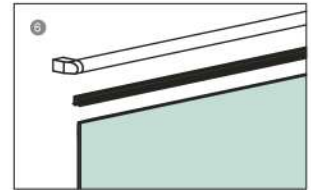
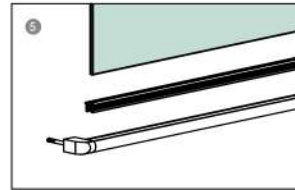
| Code  | Material | Finish | ø (mm) | T (mm) |
|-------|----------|--------|--------|--------|
| 19001 | AlSi316  | Satin  | 42.4   | 1.5    |



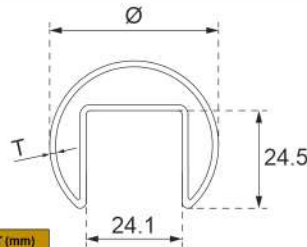
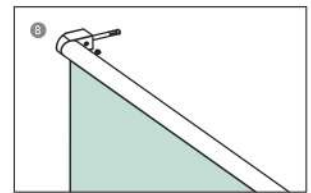
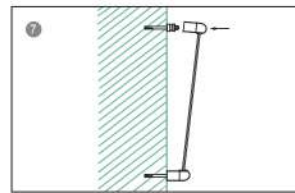
| Code  | Material | Finish | ø (mm) | T (mm) |
|-------|----------|--------|--------|--------|
| 19002 | AlSi316  | Satin  | 42.4   | 1.5    |



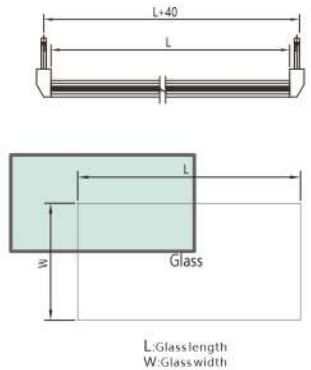
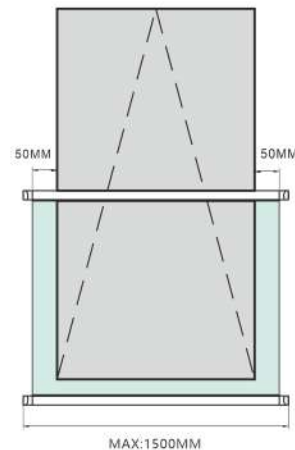
| Code  | Material | Finish | ø (mm) | R (mm) |
|-------|----------|--------|--------|--------|
| 19003 | AlSi316  | Satin  | 42.4   | 21.2   |



| Code  | Material | Finish | For Glass Thickness |
|-------|----------|--------|---------------------|
| 10034 | EPDM     | Black  | 10mm                |
| 10035 | EPDM     | Black  | 12mm                |



| Code  | Material | Finish | ø (mm) | T (mm) |
|-------|----------|--------|--------|--------|
| 10021 | AlSi316  | Satin  | 42.4   | 1.5    |

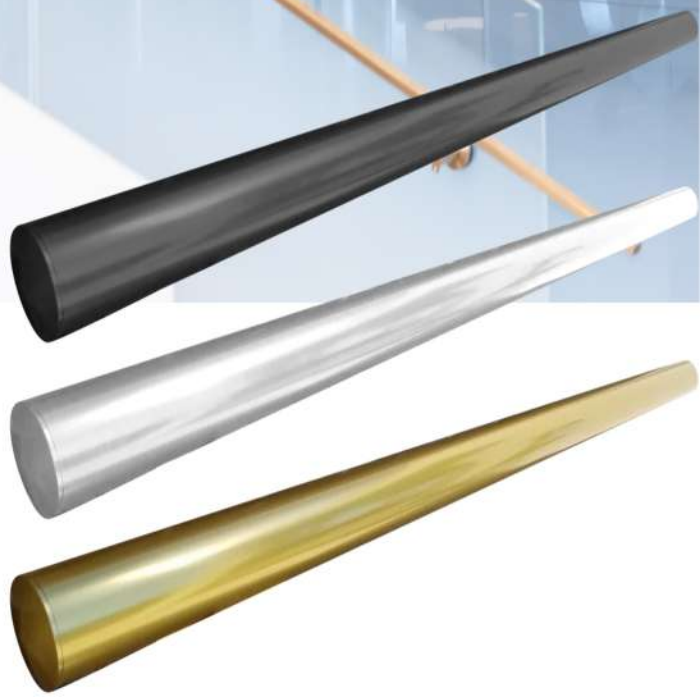


## Available Finishes



HANDRAIL/HANDRAIL FITTINGS/HANDRAIL BRACKETS

ROUND PROFILE HANDRAIL/HANDRAIL FITTINGS



**10010**  
38.1 Round Handrail

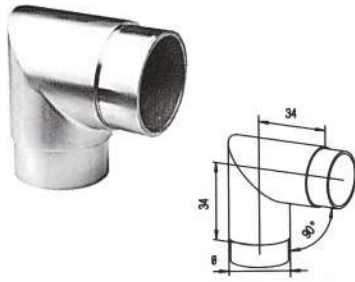
**Available Finishes**



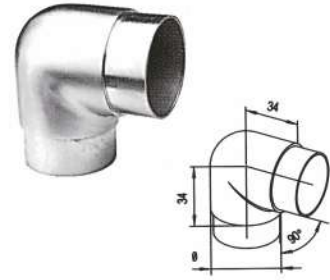
BN MB MG



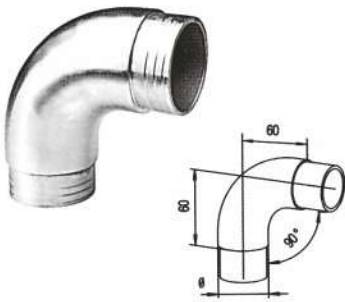
10032 135° Sharp Elbow



10037 90° Sharp Elbow



10038 90° Smooth Elbow



10039 90° Round Elbow



10040 Flexible Elbow



10640 Flexible Wall Flange



10339 - S Connector



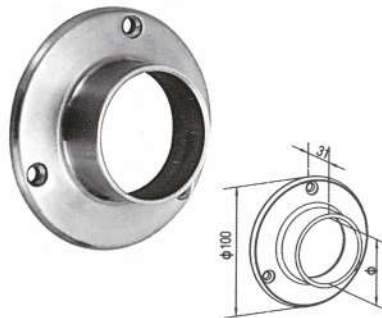
10338 Three Way Connector



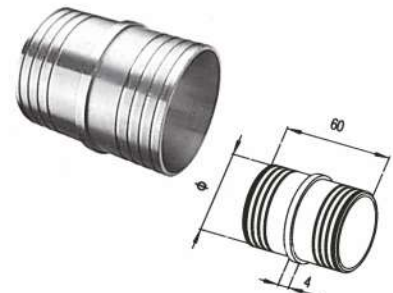
10337 - T Connector



10050 End Cap



10060 Wall Flange



10080 Splice Connector

**Available Finishes**



10045 Tube Rest

**ROUND PROFILE HANDRAIL/HANDRAIL FITTINGS**



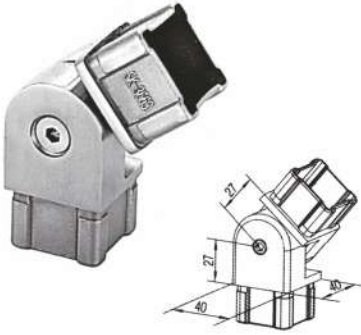


**11010**  
40 x 40mm Square Handrail

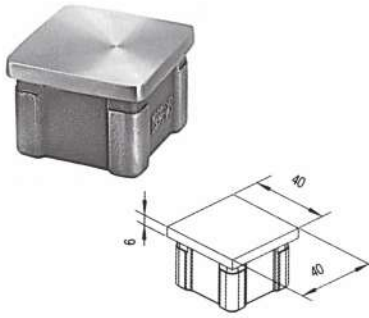
**Available Finishes**



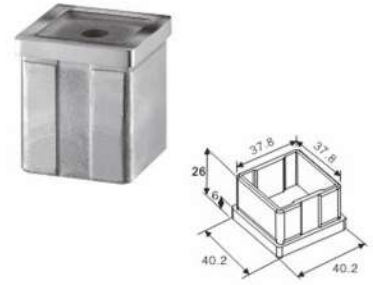
BN MB MG



11011 - 90° Flexible Connector



11012 - End Cap



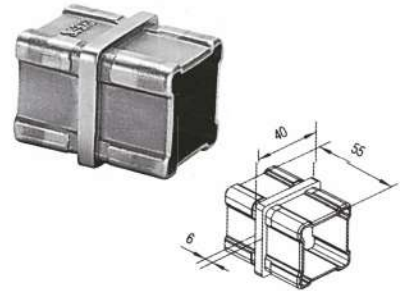
11012-H - End Cap with Hole



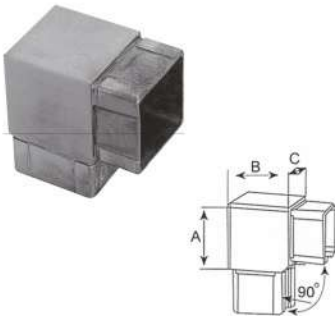
11014 - Wall Flange



11015 - Tube Rest



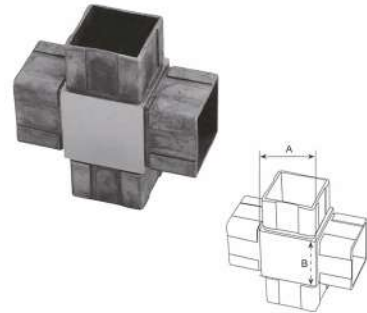
11017 - Splice Connector



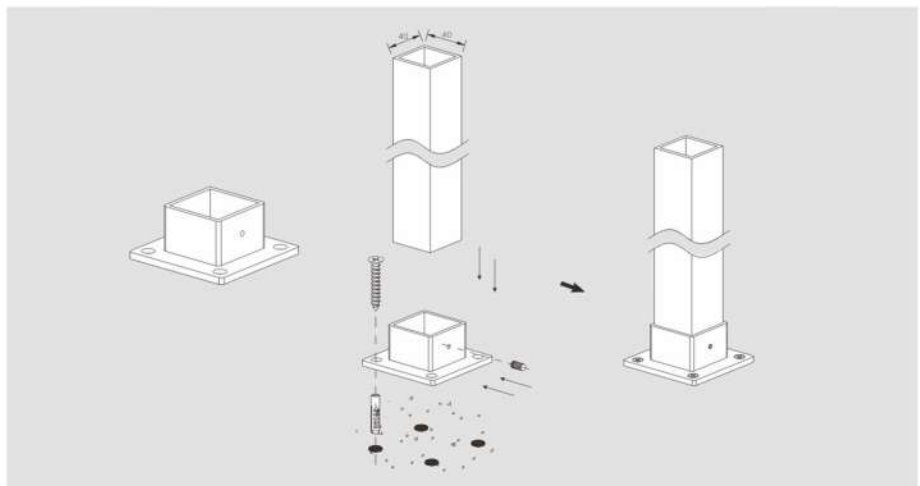
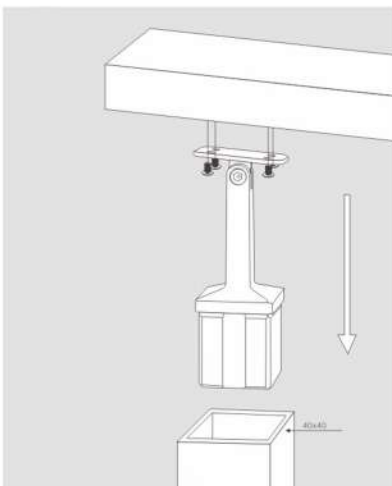
11018 - 90° Elbow



11019 - 3 Way Connector



11019 - 4 Way Connector



**Available Finishes**



BN MB MG



**12000 MB/BN/MG**  
50 x 25mm Handrail

**Available Finishes**



BN MB MG

# HANDRAIL/HANDRAIL FITTINGS/HANDRAIL BRACKETS



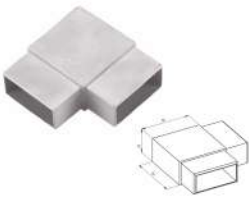
12001 - End Cap



12001 - Solid End Cap



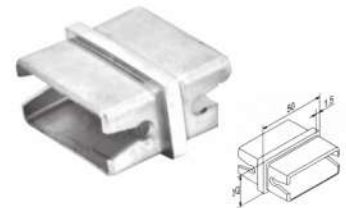
12002 - Wall Flange



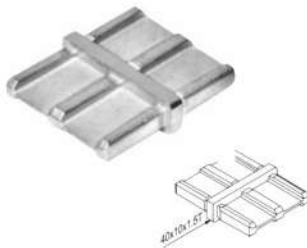
12003 - 90° Elbow



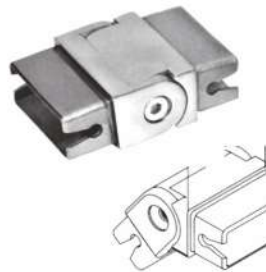
12003 - Solid 90° Connector



12004 - 180° Splice Connector



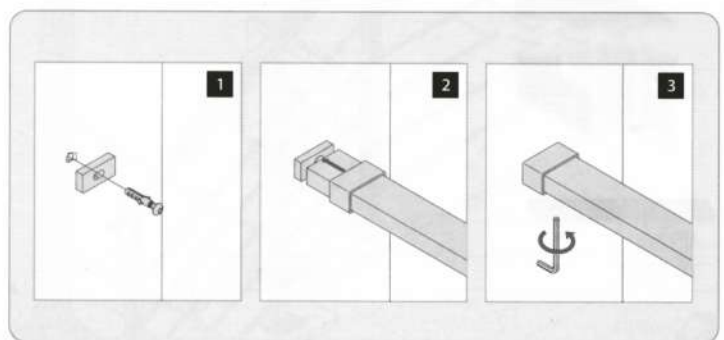
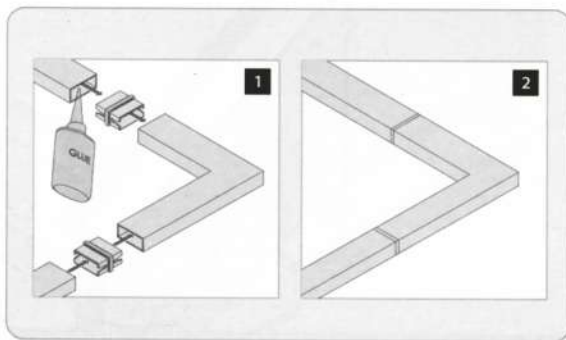
12004 - Solid 180° Connector



12005 - 90° Flexible Connector Vert.



12006 - 90° Flexible Connector Horiz.



## Available Finishes



BN MB MG

# HANDRAIL/HANDRAIL FITTINGS/HANDRAIL BRACKETS



10017 - Glass to Rail Round Saddle



10117 - Glass to Rail Flat Saddle



10417 - Wall to Rail Bracket



10217 - Wall to Rail Round Saddle



10317 - Wall to Rail Flat Saddle



10218-FS - Glass to Rail Adj. Round Saddle



10218-RS - Glass to Rail Adj. Round Saddle



10218 WTR - Wall to Rail Adj. Round Saddle



11021 WTR - Wall to Rail Adj. Round Saddle



11021-RS - Glass to Rail Adj. Round Saddle



11021-FS - Glass to Rail Adj. Flat Saddle



11021 WTR - Wall to Rail Adj. Flat Saddle

HANDRAIL BRACKETS-GOLD SERIES

**HANDRAIL/HANDRAIL FITTINGS/HANDRAIL BRACKETS**



10017 - Glass to Rail Round Saddle



10117 - Glass to Rail Flat Saddle



10417 - Wall to Rail Bracket



10217 - Wall to Rail Round Saddle



10317 - Wall to Rail Flat Saddle



10218-FS - Glass to Rail Adj. Round Saddle



10218-RS - Glass to Rail Adj. Round Saddle



10218 WTR - Wall to Rail Adj. Round Saddle



11021 WTR - Wall to Rail Adj. Round Saddle



11021-RS - Glass to Rail Adj. Round Saddle



11021-FS - Glass to Rail Adj. Flat Saddle



11021 WTR - Wall to Rail Adj. Flat Saddle



11028 - Wall to Rail Flat Saddle

**HANDRAIL BRACKETS-MATT BLACK SERIES**

# HANDRAIL/HANDRAIL FITTINGS/HANDRAIL BRACKETS



10017 - Glass to Rail Round Saddle



10117 - Glass to Rail Flat Saddle



10417 - Wall to Rail Bracket



10217 - Wall to Rail Round Saddle



10317 - Wall to Rail Flat Saddle



10218-FS - Glass to Rail Adj. Round Saddle



10218-RS - Glass to Rail Adj. Round Saddle



10218 WTR - Wall to Rail Adj. Round Saddle



11021 WTR - Wall to Rail Adj. Round Saddle



11021-RS - Glass to Rail Adj. Round Saddle



11021-FS - Glass to Rail Adj. Flat Saddle



11021 WTR - Wall to Rail Adj. Flat Saddle



11028 - Wall to Rail Flat Saddle

HANDRAIL BRACKETS-BRUSHED NICKLE SERIES



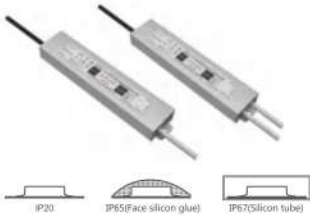
LED HANDRAIL/HANDRAIL FITTINGS

## LED STRIP



|                                       |                                       |                                       |
|---------------------------------------|---------------------------------------|---------------------------------------|
| <b>Led Type:</b> SMD2835 120LED/M     | <b>Led Type:</b> SMD2835 60LED/M      | <b>Led Type:</b> SMD5050 60LED/M      |
| <b>Voltage:</b> DC24V                 | <b>Voltage:</b> DC24V                 | <b>Voltage:</b> DC24V                 |
| <b>Luminous:</b> 20-23Lm/LED          | <b>Luminous:</b> 20-23Lm/LED          | <b>Luminous:</b> 20-23Lm/LED          |
| <b>Beam Angle:</b> 120°               | <b>Beam Angle:</b> 120°               | <b>Beam Angle:</b> 120°               |
| <b>Power:</b> ≤14.4W/M                | <b>Power:</b> ≤14.4W/M                | <b>Power:</b> ≤14.4W/M                |
| <b>Temperature Color:</b> 3000K-8000K | <b>Temperature Color:</b> 3000K-8000K | <b>Temperature Color:</b> 3000K-8000K |
| <b>PCB Width:</b> 8mm/10mm            | <b>PCB Width:</b> 8mm/10mm            | <b>PCB Width:</b> 8mm/10mm            |
| <b>IP Rates:</b> IP20 / IP65 / IP67   | <b>IP Rates:</b> IP20 / IP65 / IP67   | <b>IP Rates:</b> IP20 / IP65 / IP67   |
| <b>Length:</b> 10m/Roll               | <b>Length:</b> 10m/Roll               | <b>Length:</b> 10m/Roll               |

## LED ADAPTER

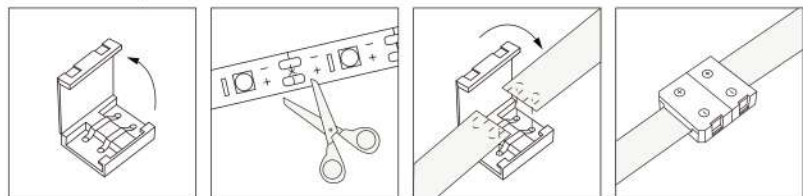


|                                     |                                     |                                     |                                     |
|-------------------------------------|-------------------------------------|-------------------------------------|-------------------------------------|
| <b>Power:</b> 36W                   | <b>Power:</b> 60W                   | <b>Power:</b> 100W                  | <b>Power:</b> 150W                  |
| <b>Input:</b> AC100-240V<br>47-63Hz | <b>Input:</b> AC100-240V<br>47-63Hz | <b>Input:</b> AC100-240V<br>47-63Hz | <b>Input:</b> AC100-240V<br>47-63Hz |
| <b>Output:</b> DC24V ±5%<br>DC1.5A  | <b>Output:</b> DC24V ±5%<br>DC2.5A  | <b>Output:</b> DC24V ±5%<br>DC4.2A  | <b>Output:</b> DC24V ±5%<br>DC6.25A |
| <b>IP Code:</b> IP67                | <b>IP Code:</b> IP67                | <b>IP Code:</b> IP67                | <b>IP Code:</b> IP67                |
| <b>Size:</b> 135*45*29              | <b>Size:</b> 166*50*31              | <b>Size:</b> 185*50*31              | <b>Size:</b> 166*63*40              |

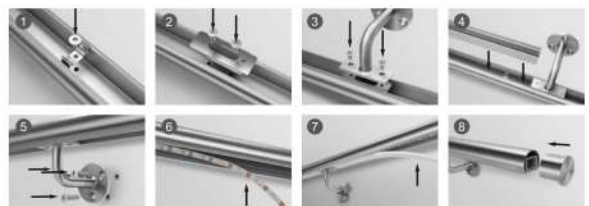
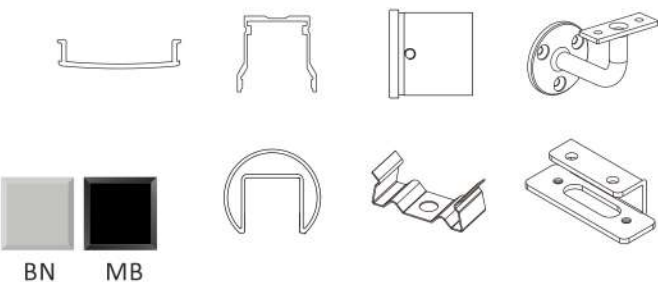
## CONNECTING BUCKLE

(Max current : 1A)

## Installation Instructions



1. Open the connecting buckle. 2. Cut according to the line 3. Aligning the +/- electrodes 4. Close the buckle.



BN MB





# CABLE/CABLE FITTINGS/CABLE BRACKETS



67101



67102



67103



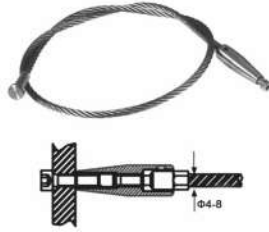
67104



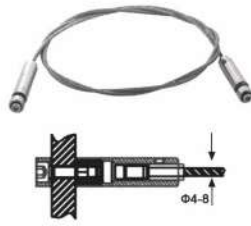
67105



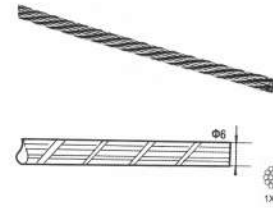
67106



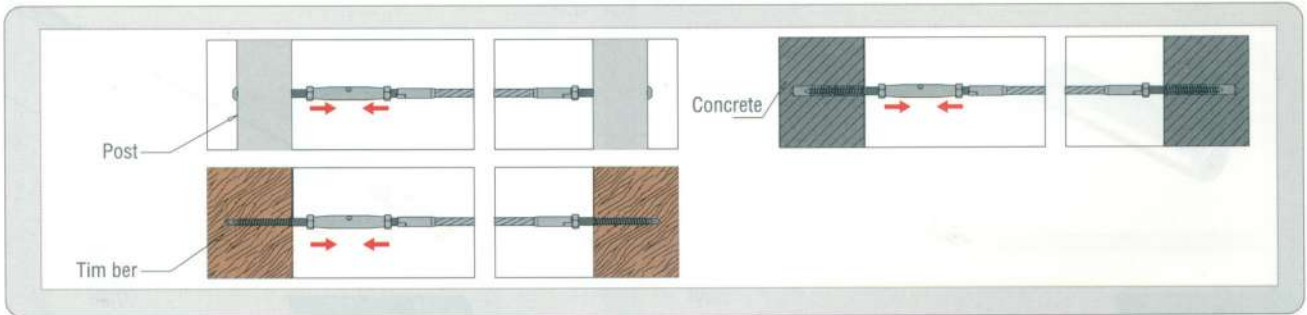
67107



67108



66100 (100' Roll)



67109



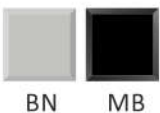
67110



67111



67112



Material: Stainless Steel

Wire Dia: For 1/8" 3/6" 1/4" Wire

CABLE/CABLE FITTINGS/CABLE BRACKETS

# CABLE/CABLE FITTINGS/CABLE BRACKETS



67201



67202



67203



67204



67205



67206



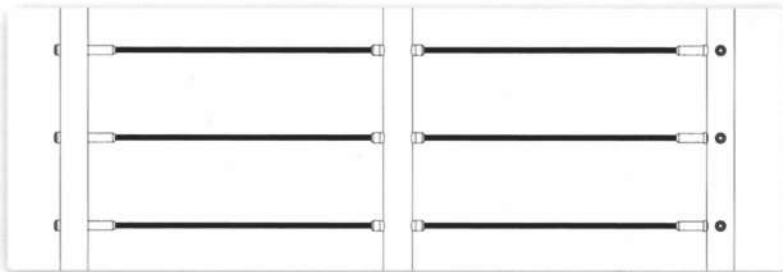
67207



67208



67209



BN

MB

Material: Stainless Steel

Wire Dia: For 1/8" 3/6" 1/4" Wire

**67301**

| d  | L mm    | M   |
|----|---------|-----|
| Φ3 | max 151 | M5  |
|    | min 121 |     |
| Φ4 | max 190 | M6  |
|    | min 149 |     |
| Φ5 | max 215 | M8  |
|    | min 171 |     |
| Φ6 | max 251 | M10 |
|    | min 205 |     |

**67302**

| d  | d1   | L   | L1 | M   |
|----|------|-----|----|-----|
| Φ3 | Φ6   | 63  | 28 | M5  |
| Φ4 | Φ7.5 | 79  | 33 | M6  |
| Φ5 | Φ8   | 92  | 39 | M8  |
| Φ6 | Φ10  | 111 | 45 | M10 |

**67303**

| d  | d1  | L  | L1   | L2 | S   |
|----|-----|----|------|----|-----|
| Φ3 | Φ5  | 57 | 9.5  | 12 | 3.5 |
| Φ4 | Φ6  | 62 | 11   | 14 | 4.5 |
| Φ5 | Φ8  | 75 | 12.8 | 16 | 5.5 |
| Φ6 | Φ10 | 86 | 15   | 19 | 6.5 |

**67304**

| d  | d1    | L  | S |
|----|-------|----|---|
| Φ3 | Φ5.5  | 57 | 3 |
| Φ4 | Φ6.5  | 62 | 4 |
| Φ5 | Φ8.5  | 75 | 5 |
| Φ6 | Φ10.5 | 86 | 6 |

**67305**

| d  | L mm    | d1    | S |
|----|---------|-------|---|
| Φ3 | max 156 | Φ5.5  | 3 |
|    | min 126 |       |   |
| Φ4 | max 191 | Φ6.5  | 4 |
|    | min 151 |       |   |
| Φ5 | max 212 | Φ8.5  | 5 |
|    | min 172 |       |   |
| Φ6 | max 256 | Φ10.5 | 6 |
|    | min 206 |       |   |

**67306**

| d  | L mm    | d1  | L    | L2 | S   |
|----|---------|-----|------|----|-----|
| Φ3 | max 156 | Φ5  | 9.5  | 12 | 3.5 |
|    | min 126 |     |      |    |     |
| Φ4 | max 191 | Φ6  | 11   | 14 | 4.5 |
|    | min 151 |     |      |    |     |
| Φ5 | max 212 | Φ8  | 12.8 | 16 | 5.5 |
|    | min 172 |     |      |    |     |
| Φ6 | max 256 | Φ10 | 15   | 19 | 6.5 |
|    | min 206 |     |      |    |     |



BN MB

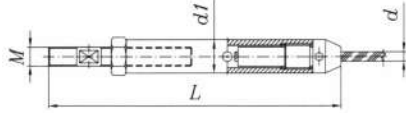
Material: Stainless Steel

Wire Dia: For 1/8" 3/6" 1/4" Wire

# CABLE/CABLE FITTINGS/CABLE BRACKETS



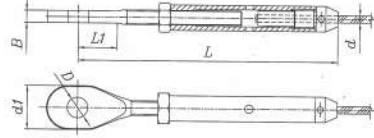
67307



| d  | L mm      | d1  | M   |
|----|-----------|-----|-----|
| Φ3 | max 96    | Φ10 | M5  |
|    | min 78.5  |     |     |
| Φ4 | max 106   | Φ10 | M6  |
|    | min 84    |     |     |
| Φ5 | max 130   | Φ12 | M8  |
|    | min 97    |     |     |
| Φ6 | max 140   | Φ15 | M10 |
|    | min 116.5 |     |     |



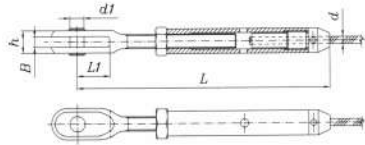
67308



| d  | L mm      | d1  | B | L1 | D   |
|----|-----------|-----|---|----|-----|
| Φ3 | max 98    | Φ12 | 3 | 12 | Φ5  |
|    | min 80.5  |     |   |    |     |
| Φ4 | max 110   | Φ14 | 4 | 14 | Φ6  |
|    | min 88    |     |   |    |     |
| Φ5 | max 118.2 | Φ18 | 5 | 16 | Φ8  |
|    | min 97.2  |     |   |    |     |
| Φ6 | max 141   | Φ24 | 6 | 19 | Φ10 |
|    | min 117.5 |     |   |    |     |



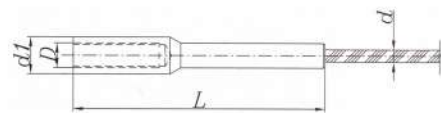
67309



| d  | L mm      | d1  | B   | L1 | H    |
|----|-----------|-----|-----|----|------|
| Φ3 | max 100.5 | Φ5  | 3.5 | 12 | 7.5  |
|    | min 83    |     |     |    |      |
| Φ4 | max 110.5 | Φ6  | 4.5 | 14 | 9.5  |
|    | min 88.5  |     |     |    |      |
| Φ5 | max 123.2 | Φ8  | 5.5 | 16 | 11.5 |
|    | min 102.2 |     |     |    |      |
| Φ6 | max 145   | Φ10 | 6.5 | 19 | 13.5 |
|    | min 121.5 |     |     |    |      |



67310



| d  | d1  | D   | L   |
|----|-----|-----|-----|
| Φ3 | Φ8  | M5  | 47  |
| Φ4 | Φ10 | M6  | 64  |
| Φ5 | Φ12 | M8  | 83  |
| Φ6 | Φ14 | M10 | 102 |



Hydraulic Tool



Mechanical Tool

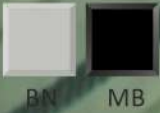


BN MB

Material: Stainless Steel

Wire Dia: For 1/8" 3/6" 1/4" Wire

CABLE/CABLE FITTINGS/CABLE BRACKETS



Material: Stainless Steel  
Wire Dia: For 1/8" 3/16" 1/4" 5/16"



## PREMIUM RANGE OF GLASS AND GLAZING HARDWARE

Head office:

13377 78 Ave #702, Surrey, BC V3W 5B9

✉ [info@sterlinghardware.ca](mailto:info@sterlinghardware.ca)

| ☎ (604) 593-5950

| 🌐 [www.sterlinghardware.ca](http://www.sterlinghardware.ca)