

Commercial High Power Inverter



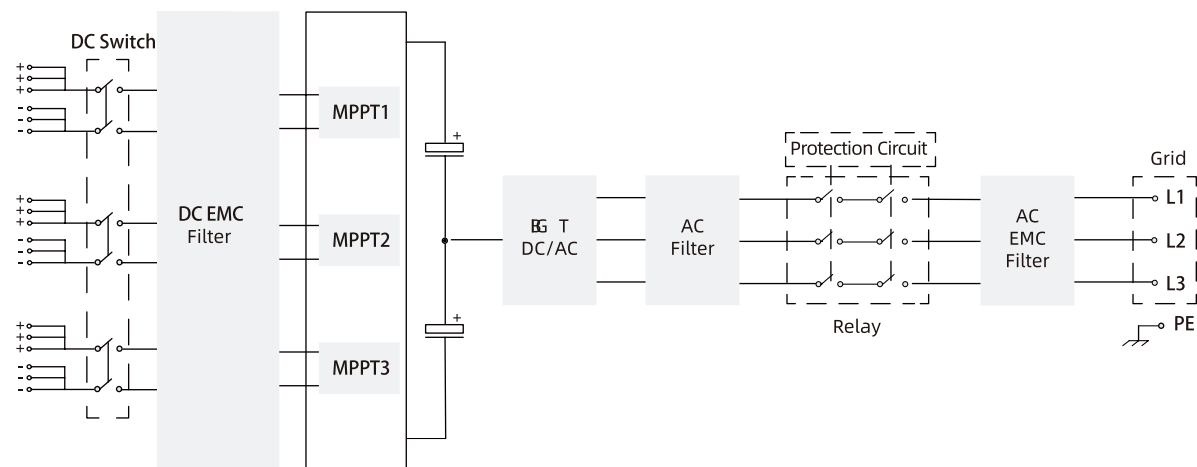
High Efficiency
 Max. DC voltage 1100V.
 Max. efficiency 99.03%.
 High precision & intelligent string detection.

Reliable
 36K~110K smart air cooling.
 Built-in AC and DC SPD protection module and provide full range of lightning protection.
 Night PID module.

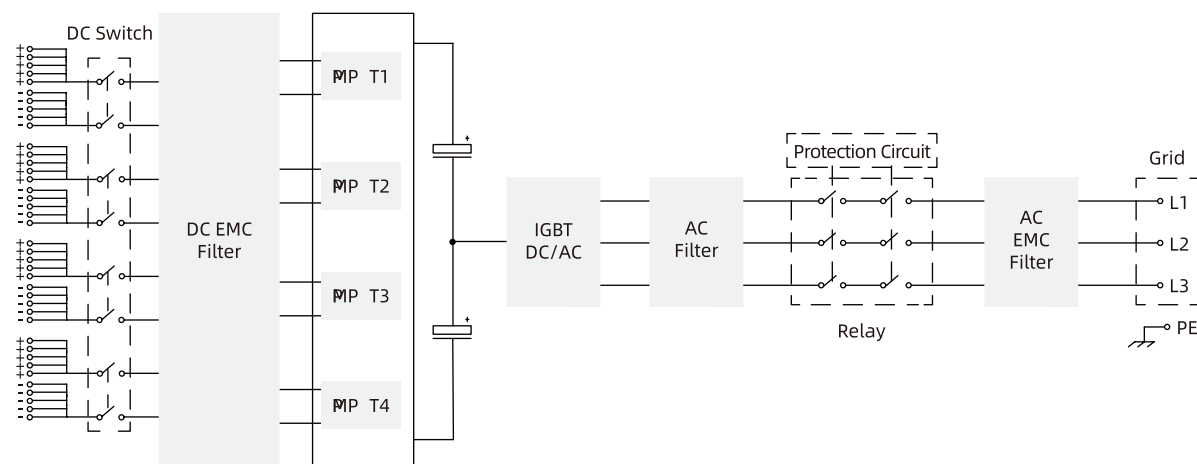
Friendly
 Active and reactive power regulation. Support mobile phone APP and check the status information of status.

Topological Graph

36~40K



50~70K



Technical Parameters

Model	BSM36K -B	BSM40K -B	BSM50K -B	BSM60K -B	BSM70K -B	BSM75K -B	BSM100K -B	BSM110K -B	
DC Input	Max. DC Voltage								1100V
	Startup voltage								500V
	MPPT Voltage Range								450V ~ 1000V
	MPPT Range Full Load								455V ~ 880V
	Max Current / MPPT		33A / 33A/22A	33A/33A/33A/33A		33A/33A/33A/33A		55A/55A/55A/55A	
	Number of DC Inputs		8	12	12		20	20	
	MPPT Number		3			4			
AC Output	Rated Output Power	36kW	40kW	50kW	60kW	70kW	75kW	100kW	110kW
	Max. Active Power	39.6kW	44kW	55kW	66kW	77kW	82.5kW	110kW	121kW
	Rated Output Voltage								400V (Three Phase)
	AC Voltage Range								300V-480V
	Rated Output Current	52.0A	57.7A	72.2A	86.5A	101A	108.2A	144A	158.8A
	Max. Output Current	57.2A	63.5A	79.4A	95.3A	111A	119A	144A	174.7A
	Rated Grid Frequency								50Hz / 60Hz
	Power Factor								0.8 (Leading) ~ 0.8 (Lagging)
	THD								<3%
	System Parameters	98.97%		98.95%	99.03%	98.85%	99.00%	99.00%	99.01%
98.45%		98.51%		98.51%	98.52%	98.52%			
AC/DC SPD								Support	
PV String Fault Detection								Support	
RCD								Support	
AC Overcurrent Protection								Support	
Cooling System								Smart Air Cooling	
Operating Temperature								-25°C ~ +60°C	
Protection Level								IP65	
Standby Power Consumption				<1W		<5W			
Topology Structure								Transformerless	
Operating Altitude								5000m (Derating above 4000m)	
Display								LED + APP	
Communication								RS485 / WiFi / GPRS	
DC Terminator								MC4	
AC Terminator		OT / DT (MAX 50mm ²)		OT / DT (MAX 95mm ²)		OT / DT (MAX 300mm ²)			
Certification								IEC62109 / IEC61000 / IEC62116 / IEC61727 / EN50549 / CQC / CGC	
Dimensions (W*H*D)				705*650*283mm			800*672*315mm		
Mechanical Parameters	Weight		<65kg		<75kg		<85kg		