

Utility PV Inverter



High Efficiency

Max. DC voltage 1100V.
Max. efficiency 99.04%.
3/4 channels MPPT.
High precision & intelligent string detection.



Reliable

50K ~ 125K smart cooling
Compatible with bifacial PV modules.
Built-in AC and DC lightning protection module and provide full range of lightning protection.
Build-in PID module.

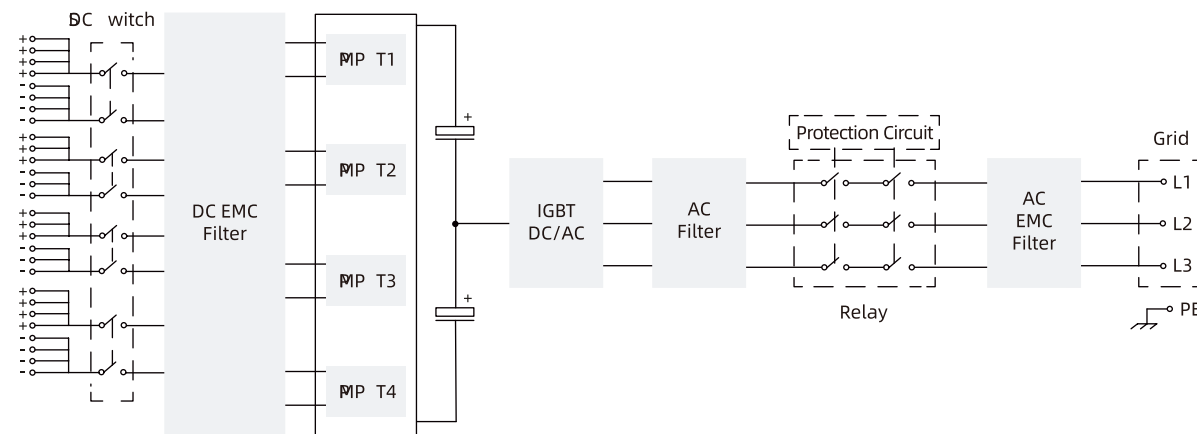


Friendly

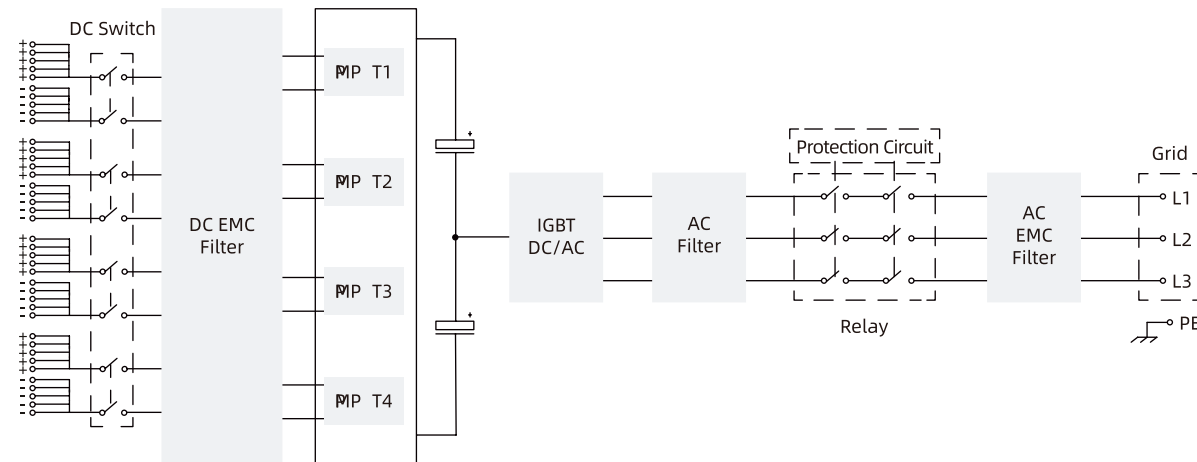
Active and reactive power regulation.
Support LVRT/ZVRT/HVRT.
AC and DC redundant power supply, 24-hour real-time monitoring.
Support mobile phone APP and view inverter status information.

Topological Graph

80K



125K



Technical Parameters

Model		BSM50K-BHV	BSM70K-BHV	BSM80K-BHV	BSM125K-BHV	
DC Input	Max. DC Voltage	1100V				
	Startup voltage	500V				
	MPPT Voltage Range	450V ~ 1000V				
	Max. Input Current of Each MPPT	33A/33A/22A	33A/33A/33A/33A	44A/33A/33A/44A	55A/55A/55A/55A	
	Number of DC Inputs	8	12	14	20	
	MPPT Number	3	4			
AC Output	Rated Output Power	50kW	70kW	80kW	125kW	
	Max. Active Power (cosθ=1)	55kW	77kW	88kW	137.5kW	
	Rated Output Voltage	500V (Three Phase)				
	Operating Voltage Range	375V-600V				
	Rated Output Current	57.7A	80.8A	92.4A	144A	
	Max. Output Current	63.5A	88.9A	101.6A	144A	
	Rated Grid Frequency	50Hz / 60Hz				
	Power Factor	0.8(Leading) ~ 0.8(Lagging)				
	THD	<3%				
	System Parameters	Max. Efficiency	98.99%	99.01%	99.03%	99.04%
		European Efficiency	98.51%	98.52%	98.53%	98.54%
AC/DC SPD		Support				
Insulation Impedance Detection		Support				
Residual Leakage Current Detection		Support				
PV String Fault Detection		Support				
Output Overcurrent Protection		Support				
Protection Level		IP65				
Operating Temperature Range		-25°C ~ +60°C				
Cooling System		Smart Air Cooled				
Standby Power Consumption		< 1W			< 5W	
Topology Structure		Transformerless				
Operating Altitude		5000m (Derating above 4000m)				
Display		LED Indicator + APP				
Communication		RS485 / WiFi / GPRS				
Certification		IEC62109, IEC61000, IEC62116, IEC61727, EN50549, CQC, CGC				
Mechanical Parameters		Dimensions (W*H*D)	705*650*283mm			800*680*330mm
	Weight	<65kg	<75kg	<95kg		