

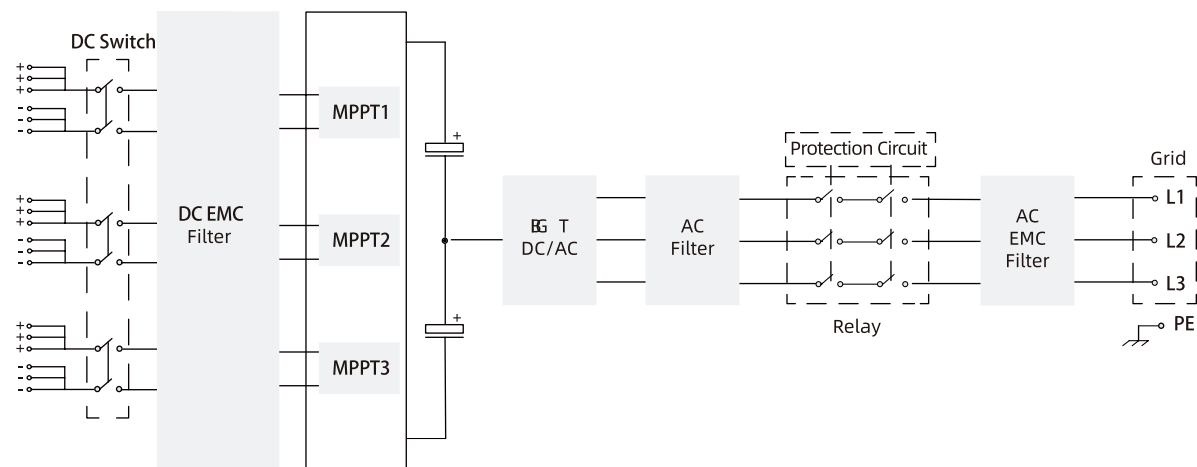
# Commercial High Power Inverter



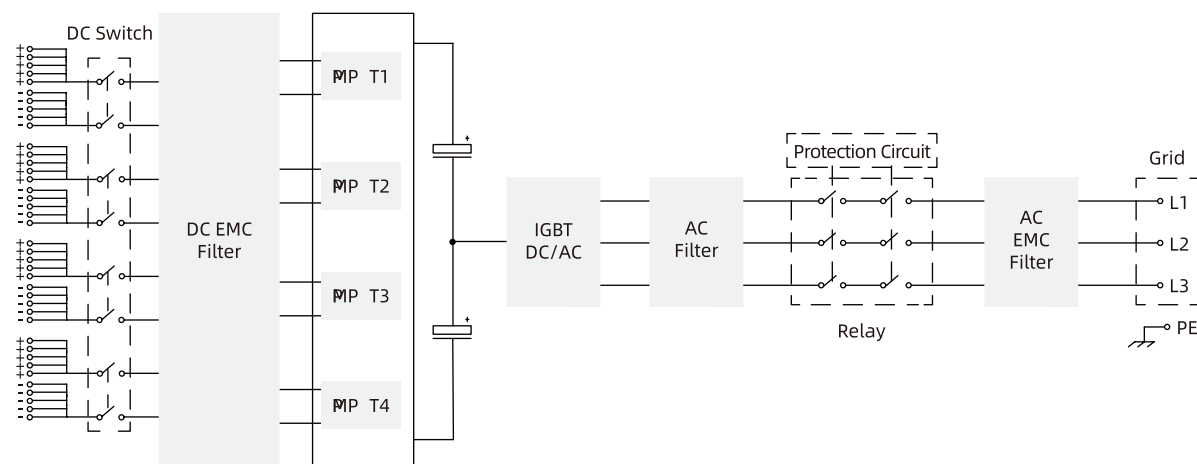
- High Efficiency**  
 Max. DC voltage 1100V.  
 Max. efficiency 99.03%.  
 High precision & intelligent string detection.
- Reliable**  
 36K~110K smart air cooling.  
 Built-in AC and DC SPD protection module and provide full range of lightning protection.  
 Night PID module.
- Friendly**  
 Active and reactive power regulation. Support mobile phone APP and check the status information of status.

## Topological Graph

36~40K



50~70K



## Technical Parameters

Model	BSM36K -B	BSM40K -B	BSM50K -B	BSM60K -B	BSM70K -B	BSM75K -B	BSM100K -B	BSM110K -B		
DC Input	Max. DC Voltage								1100V	
	Startup voltage								500V	
	MPPT Voltage Range								450V ~ 1000V	
	MPPT Range Full Load								455V ~ 880V	
	Max Current / MPPT		33A / 33A/22A		33A/33A/33A/33A		33A/33A/33A/33A		55A/55A/55A/55A	
	Number of DC Inputs		8		12		12		20 20	
	MPPT Number		3		3		4		4	
AC Output	Rated Output Power								36kW 40kW 50kW 60kW 70kW 75kW 100kW 110kW	
	Max. Active Power								39.6kW 44kW 55kW 66kW 77kW 82.5kW 110kW 121kW	
	Rated Output Voltage								400V (Three Phase)	
	AC Voltage Range								300V-480V	
	Rated Output Current		52.0A 57.7A 72.2A		86.5A 101A 108.2A		144A 158.8A			
	Max. Output Current		57.2A 63.5A 79.4A		95.3A 111A 119A		144A 174.7A			
	Rated Grid Frequency								50Hz / 60Hz	
	Power Factor								0.8 (Leading) ~ 0.8 (Lagging)	
	THD								<3%	
	System Parameters	98.97%		98.95%		99.03%		98.85%		99.00%
98.45%		98.51%		98.51%		98.52%		98.52%		
AC/DC SPD								Support		
PV String Fault Detection								Support		
RCD								Support		
AC Overcurrent Protection								Support		
Cooling System								Smart Air Cooling		
Operating Temperature								-25°C ~ +60°C		
Protection Level								IP65		
Standby Power Consumption				<1W				<5W		
Topology Structure								Transformerless		
Operating Altitude								5000m (Derating above 4000m)		
Display								LED + APP		
Communication								RS485 / WiFi / GPRS		
DC Terminator								MC4		
AC Terminator		OT / DT (MAX 50mm <sup>2</sup> )		OT / DT (MAX 95mm <sup>2</sup> )		OT / DT (MAX 300mm <sup>2</sup> )				
Certification								IEC62109 / IEC61000 / IEC62116 / IEC61727 / EN50549 / CQC / CGC		
Dimensions (W*H*D)				705*650*283mm				800*672*315mm		
Mechanical Parameters	Weight		<65kg		<75kg		<85kg			