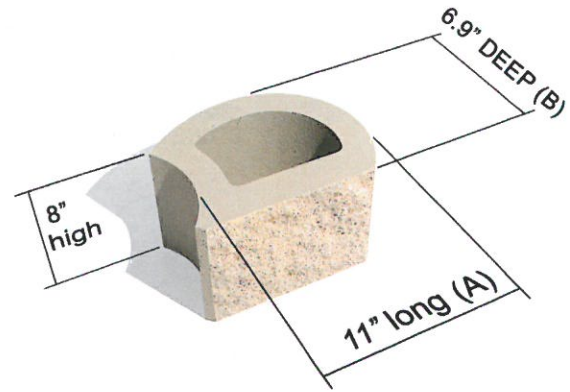
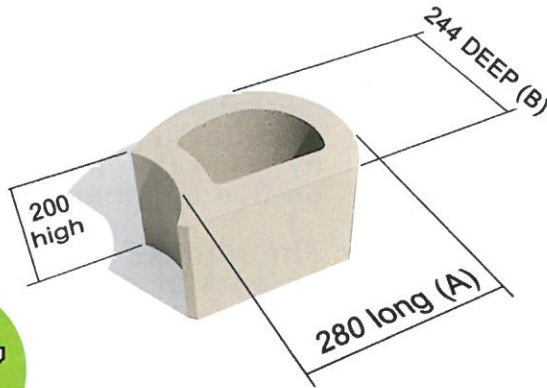


# TERRAFORCE®

The original, reversible, hollow core retaining block

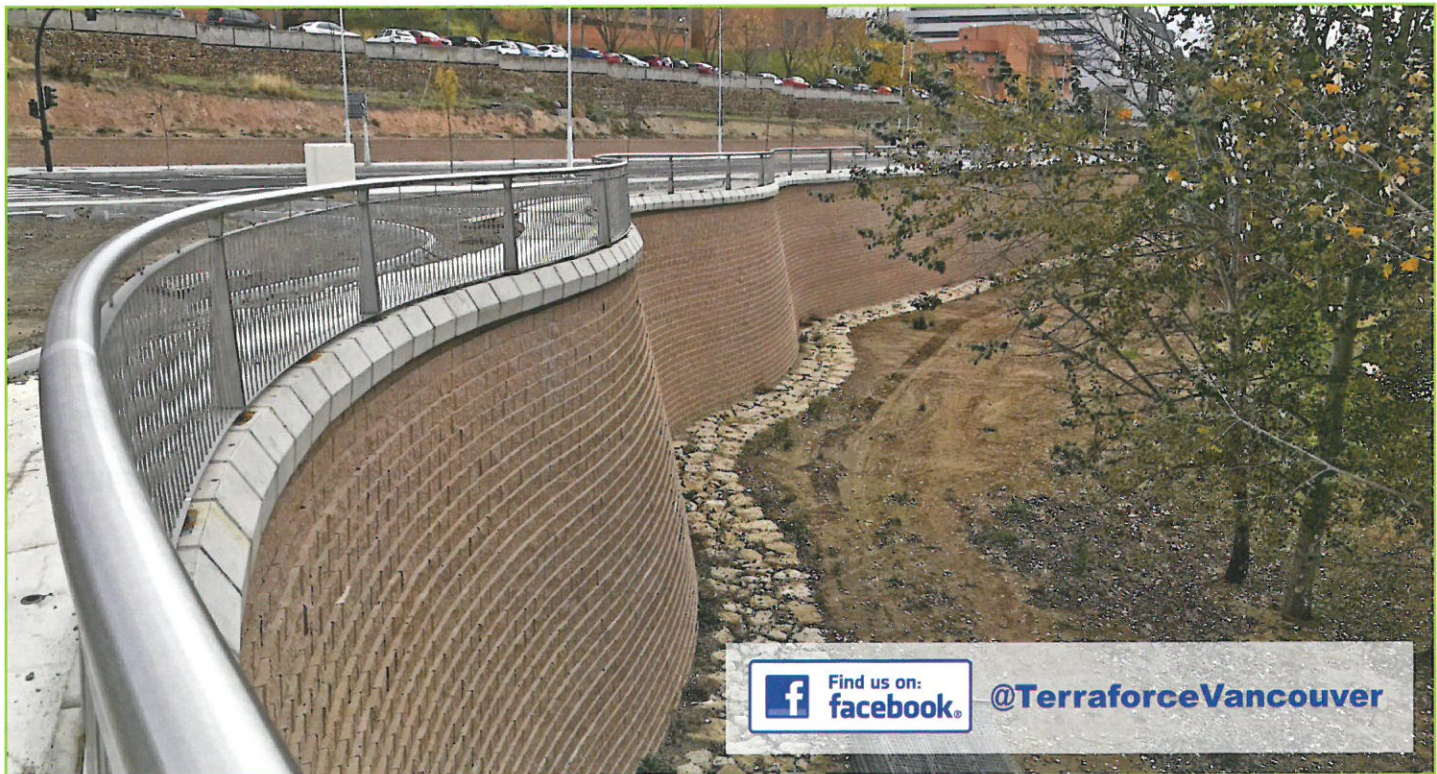
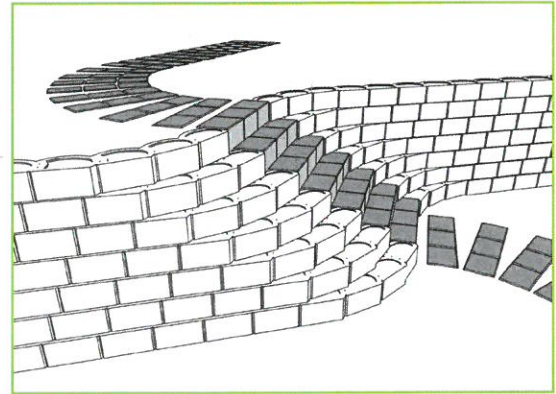


**L17**

L17 STANDARD

L17 ROCKFACE

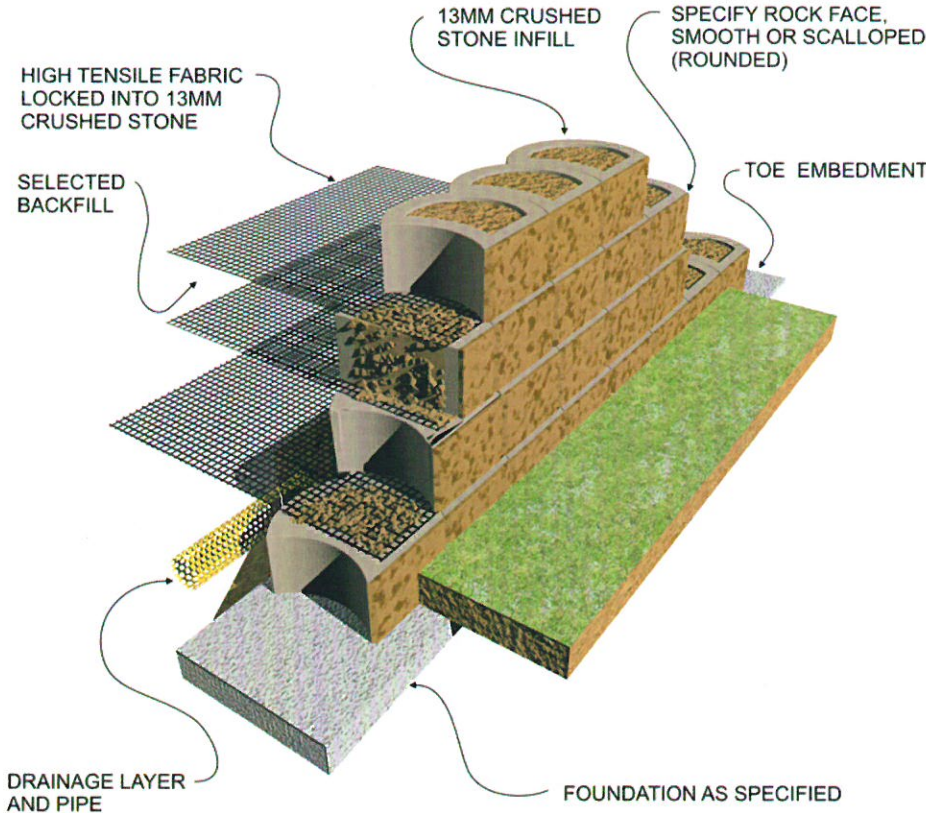
Block L17	MU	IU
Vertical surface area	17,8/m <sup>2</sup>	1,6/ft <sup>2</sup>
Average block mass	15.75 kg	34.38 lb
Block infill volume	0.0060 m <sup>3</sup>	0.21 ft <sup>3</sup>
Block wall thickness	45 mm	1.77"
Average constr. mass per m2 – ft2 of wall. Single skin		
When filled with topsoil of 1500kg/m <sup>3</sup>	395 kg/m <sup>2</sup>	76 lb/ft <sup>2</sup>
When filled with gravel of 1900kg/m <sup>3</sup>	433 kg/m <sup>2</sup>	88 lb/ft <sup>2</sup>
When filled with concrete of 2400kg/m <sup>3</sup>	480 kg/m <sup>2</sup>	97 lb/ft <sup>2</sup>



@TerraforceVancouver

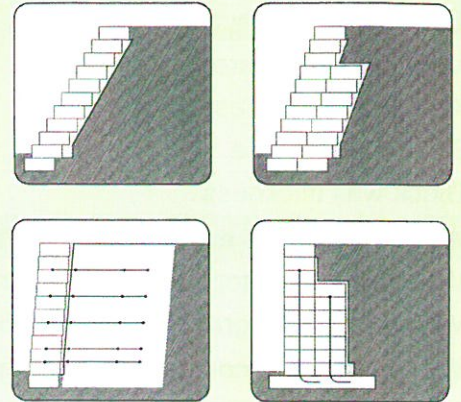
The original, reversible, hollow core retaining block

## COMPOSITE RETAINING WALL (EARTH REINFORCED WITH GEOFRID)

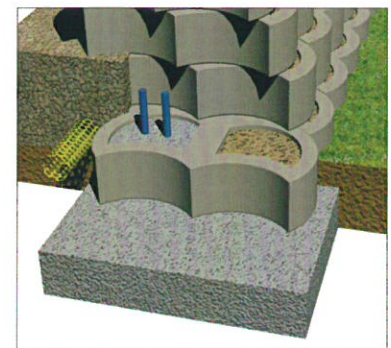
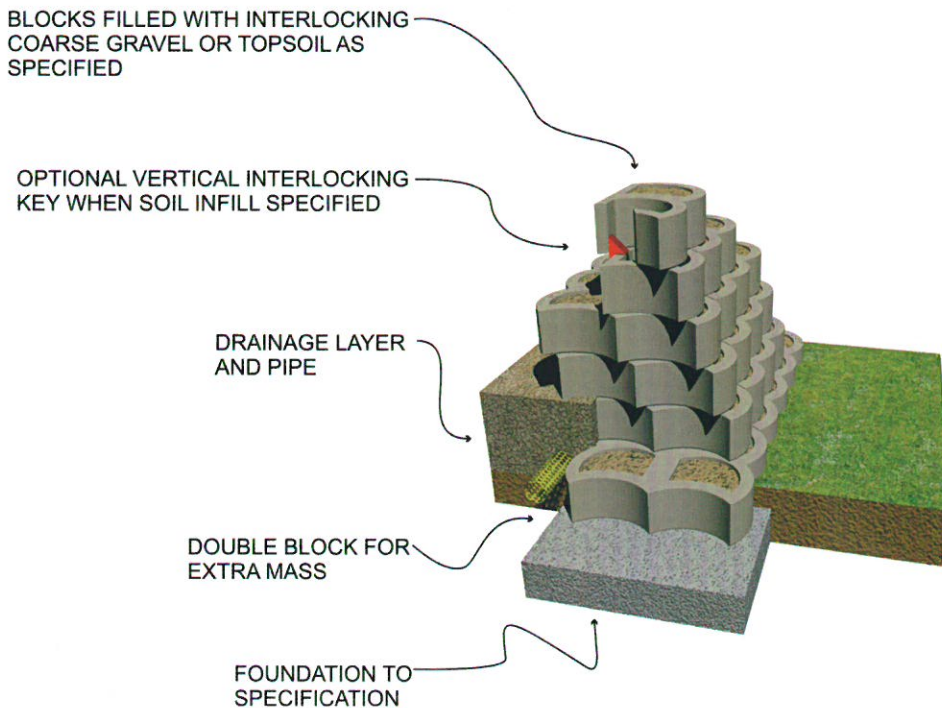


TERRAFORCE blocks have been substantially tested and analysed under field and laboratory conditions and are manufactured under licence by reputable manufacturers on five continents.

The blocks can be used as part of either a gravity system or as the fascia of a geosynthetic reinforced segmental retaining wall structure or as a fascia for a cement stabilized backfill.



## MASS GRAVITY RETAINING WALL (SINGLE OR DOUBLE LAYER)



OPTIONAL R.C INFILL

# TERRAFORCE®

The original, reversible, hollow core retaining block

L17



ROCK FACE WALL WITH TERRACES



LANDSCAPING AROUND A POOL, RESIDENTIAL



ROCK FACE TERRACES AT AN INTERCHANGE



ALTERNATING ROUND AND ROCK FACE DESIGN



RETAINING WALL AT A HIGHWAY INTERCHANGE



CORNER DETAIL AT RESIDENTIAL COMPLEX

# TERRAFORCE®

L17

The original, reversible, hollow core retaining block



ROUND FACE RETAINING WALL



CURVED ROUND FACE RETAINING WALL



SOUND BARRIER WITH ALTERNATING FINISH



AFTER: PLANTED SOUND BARRIER

## HOW MANY BLOCKS DO I NEED?

Wall height	Wall Length					
	5'	10'	15'	20'	25'	30'
8" (1 row)	6	11	17	22	28	33
16" (2 rows)	12	22	34	44	56	66
24" (3 rows)	18	33	51	66	84	99
32" (4 rows)	24	44	68	88	112	132
40" (5 rows)	30	55	85	110	140	165
48" (6 rows)	36	66	102	132	168	198