

PC SERIES

POLYP-GRAB FOR DIFFERENT MATERIALS HANDLING POLIPO PER LA MOVIMENTAZIONE MATERIALE

HARDOX®
IN MY BODY

GV ROTATOR



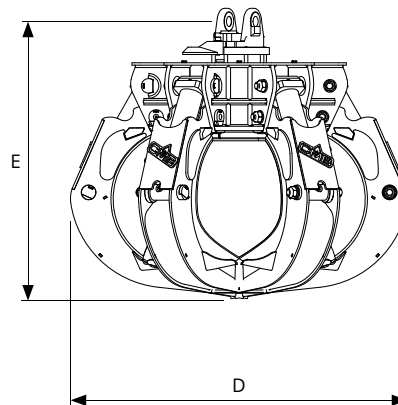
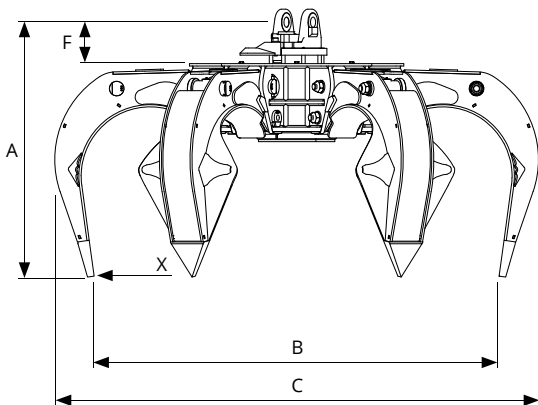
A TYPE



B TYPE



C TYPE



PC SERIES		PC 250	PC 300	PC 330
CAPACITY	m ³	0,25	0,3	0,33
TINES	N°	5 - 6	5 - 6	5 - 6
ATTACHMENT WEIGHT	kg	420 - 450	425 - 455	430 - 460
EXCAVATOR WEIGHT	ton	3 - 10	4 - 12	5 - 14
A	mm	875	885	910
B	mm	1450	1540	1640
C	mm	1650	1755	1855

PC SERIES		PC 250	PC 300	PC 330
D	mm	1150	1145	1140
E	mm	965	1020	1080
F	mm	145	145	145
X	ton	1,68	1,5	1,38
EXCAVATOR WORKING PRESSURE	bar	250	250	250
EXCAVATOR OIL FLOW	l/min	70/80	70/80	70/80
INDEXATOR ROTATOR		GV6	GV6	GV6

Attachment-excavator couplings data are for information only, always check load diagram of the machine.

➤ **TIPS AND LEAVES IN HARDOX 450**
PUNTE E VALVE IN HARDOX 450

➤ **FULLY PROTECTED HYDRAULIC COMPONENTS**
COMPONENTI IDRAULICI PROTETTI COMPLETAMENTE

➤ **ENCASED INDEXATOR ROTATOR**
ROTATORE INDEXATOR INCASSATO

➤ **ONE PIECE DISTRIBUTION BLOCK**
BLOCCO DI DISTRIBUZIONE A PEZZO UNICO

PC series is suitable for handling scrap and different materials. It's very compact and is mostly used set on truck crane or small excavator.

- > 360° continuous hydraulic rotation
- > New developed hydraulic system
- > Hardened pins and bushings with spiroil

La serie PC è adatta per la movimentazione di rottame in genere e materiali vari adatto per gru da camion e escavatore compatti.

- > Rotazione continua a 360°
- > Impianto idraulico di nuova concezione
- > Perni temprati e boccole in acciaio

