

Standard Accessories

* Available for Super Crush Mode only.



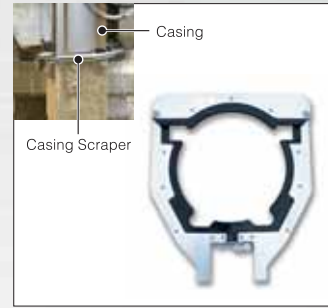
Piler Stage



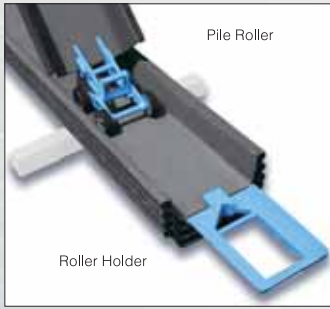
Chuck Stage *



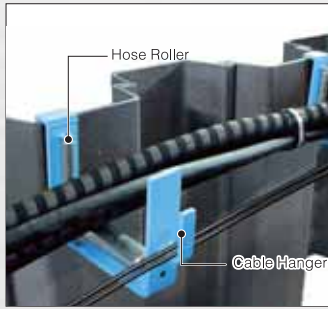
Auger Head Replacement Attachment *



Casing Scraper *



Pile Roller



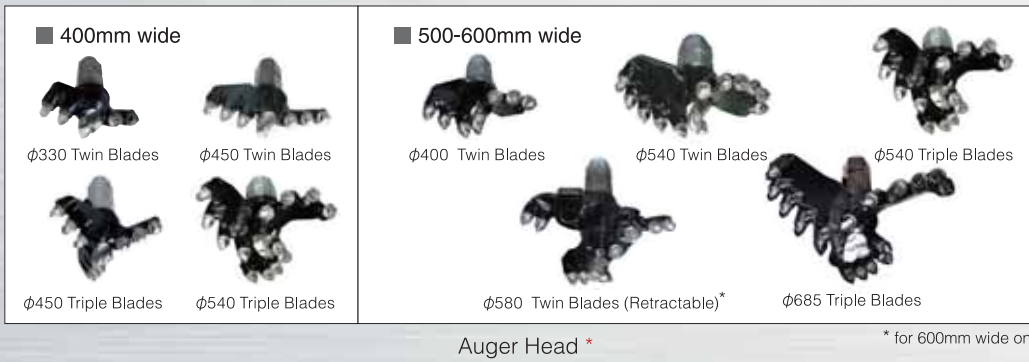
Hose Roller



Pile Laser



Module Box



Optional Accessories



Piler Jet Reel (JR28)



GIKEN

SILENT PILER™
F201A

for U Sheet Piles
400-600mm wide

GIKEN

Construction Solutions Company

www.giken.com

CONTACT US



"SILENT PILER" is a registered trademark or trademark of GIKEN LTD. in the United States and other countries.

© 2019 GIKEN LTD. All Rights Reserved.

T4_Ver 1.1EN01 / 26 Jun 2023

Modular model applicable to U Sheet Piles (400-600mm wide)

SILENT PILER™ F201A

SILENT PILER F201A

Flexible and Functional Formula

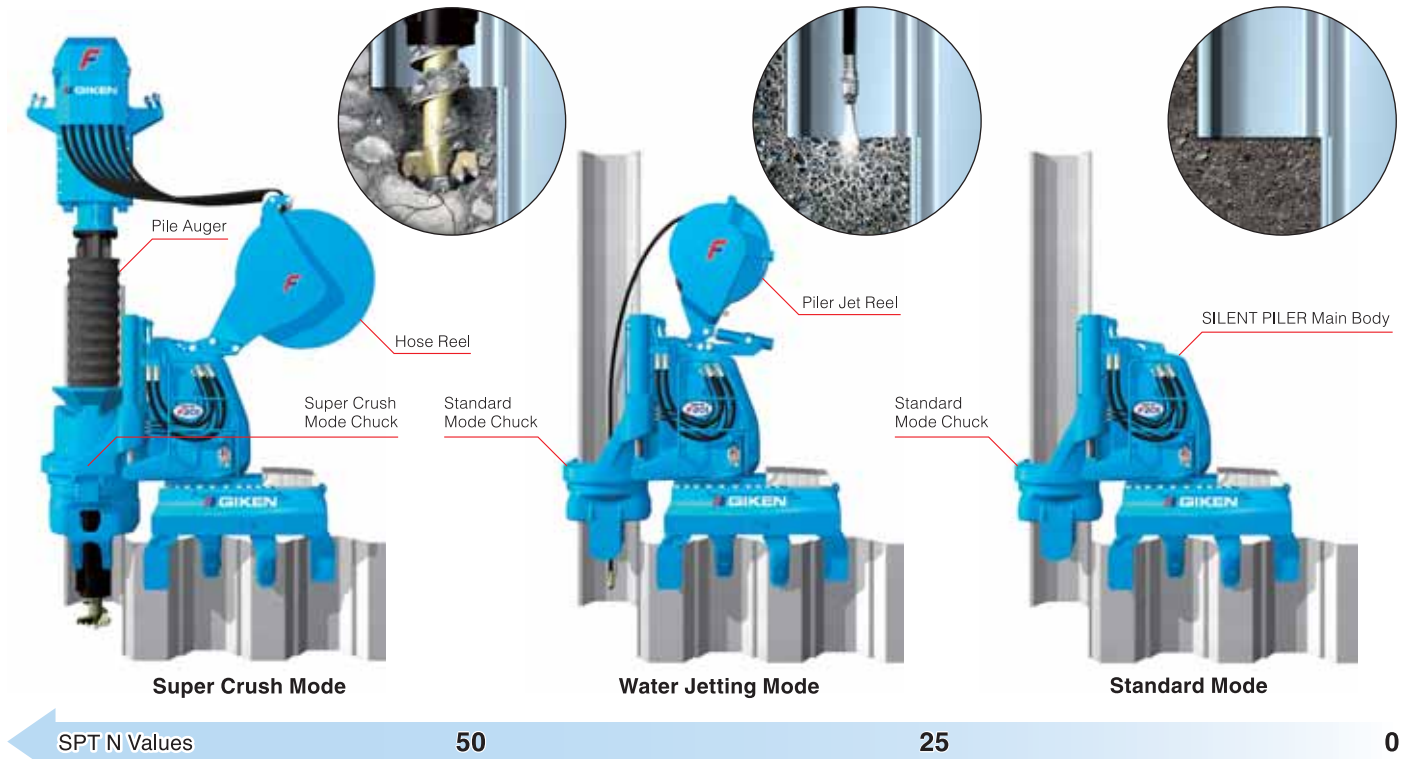
The F201A features a new modular design developed by optimising all the parts and drastically modifying the structure, shape, and material. Not only are the main component parts more versatile, it is also equipped with a cutting-edge control system, and realising high functionality and longer operation life.

*"SILENT PILER" is a registered trademark or trademark of GIKEN LTD. in the United States and other countries.



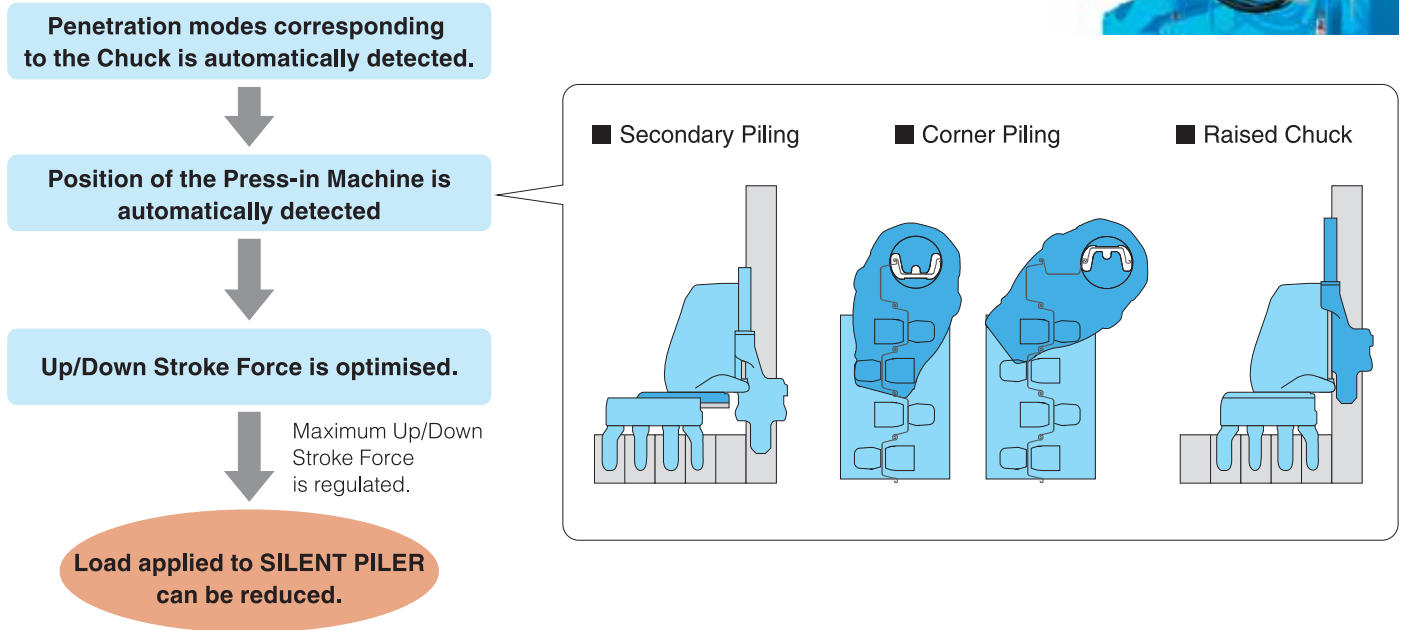
1 Applicable to 400-600mm wide U Sheet Pile and soft to hard ground conditions

F201A has wider adoptability and is applicable to Standard Mode, Water Jetting Mode, and Super Crush Mode and 400mm, 500mm and 600mm wide U sheet pile by changing the chuck and chuck frame, and equipping suitable attachments.



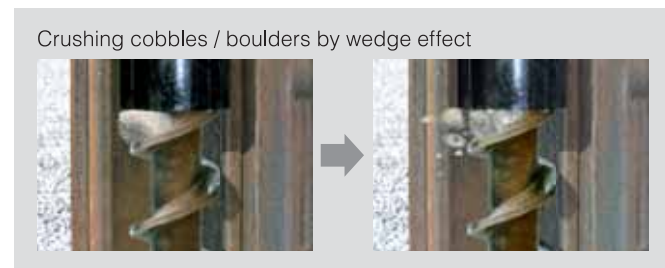
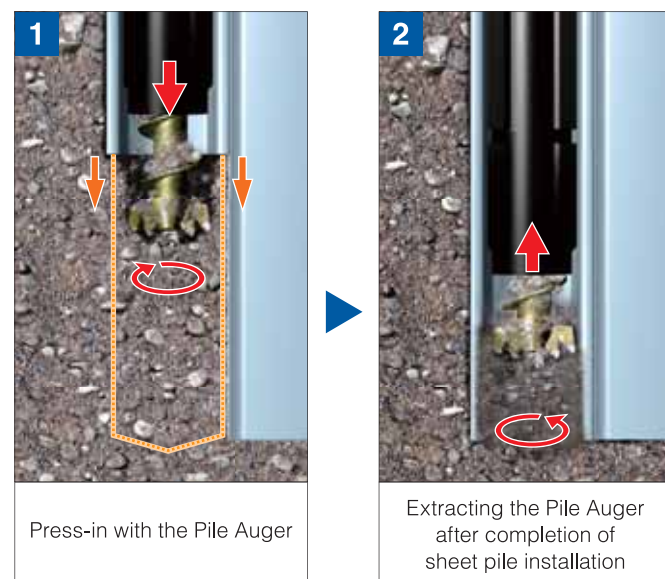
2 Longer Operational Life and Higher Functionality by New Control System

The new control system manages the position of the press-in machine and controls load generation from press-in work during operation, maximising the durability of each part. Also, control of the machine is remarkably improved by the Press-in Force Control System and the Phaseless Linear Auger Torque Control System.



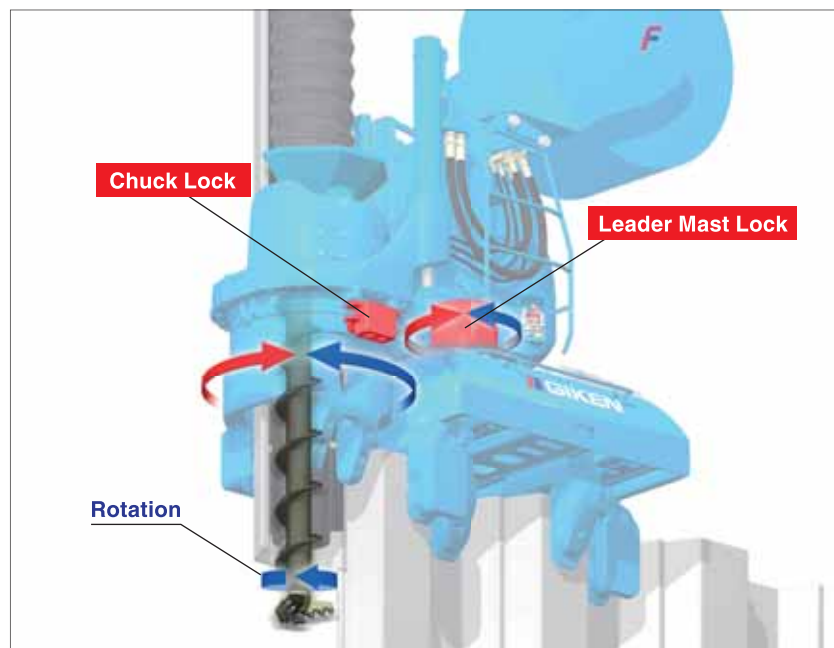
3 Pile Installation into Hard Ground

The "Pilot Coring Theory", GIKEN original theory, makes the Hard Ground Press-in Method able to install sheet piles into difficult ground conditions such as gravelly soil and cobble or boulder mixed soil without losing the advantages of the Press-in Method. The augering area can be reduced to assist pile installation, minimising volume of spoil and disturbance to the soil strata. Hence, high bearing capacity is available from sheet piles which are installed by the Hard Ground Press-in Method.



Locking Function

Lock functions in the leader mast, chuck and clamps secure SILENT PILER against drilling torque and increase drilling efficiency and accuracy of pile installation.



4 New Generation Power Unit EU300K4

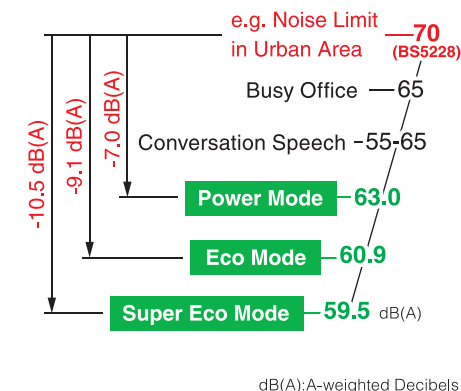
Low Emission Engine

The Power Unit of the F201A is a new generation model and has environmentally-friendly specifications. It is designed with strict concepts for clean emissions with high combustion efficiency and GIKEN original hydraulic control technologies.



Ultra Low Noise Level

It clears allowable construction noise levels in many industrialised countries.



Standard Application of Biodegradable Oil

The F201A uses bio-degradable PILER ECO OIL and PILER ECO Grease. Hence, if hydraulic oil or grease is spilled into soil or water, there will be no environmental damage to the surrounding ecosystem. In addition, the machines are painted with TX-Free non-lead paint*.

* Environmentally-friendly paint which does not contain toluene, xylene and lead based pigment.



5 Scientific Execution of Press-in Work & Advanced IT Functions

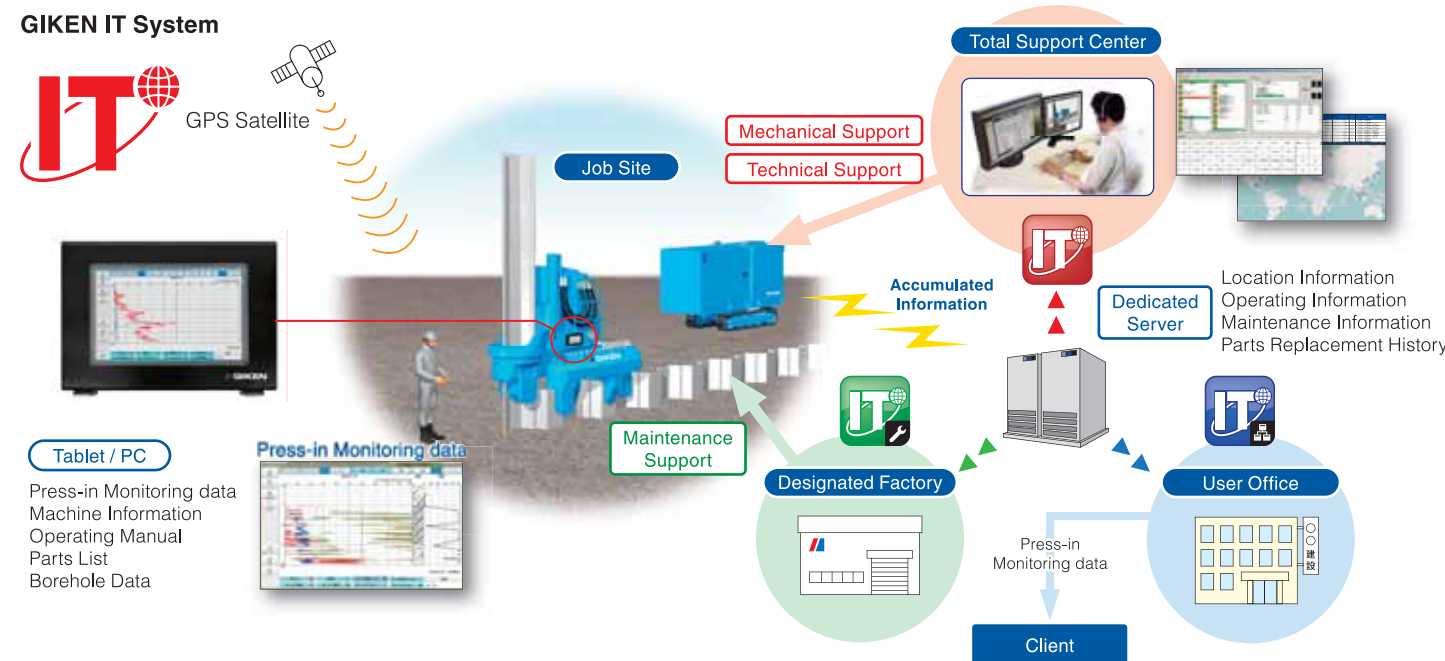
GIKEN IT System

GIKEN engineers can monitor individual SILENT PILER, such as operating condition, maintenance records and location. Quick advice for any technical troubles is available promptly and appropriate information can also be provided to prevent troubles.

* The system is not available in the countries where authorisation for usage cannot be acquired.

Press-in Monitoring and Data Logging System

Press-in monitoring data can be used for quality control and information modelling of the foundation. Operators are able to keep working while checking data such as press-in force, auger torque, and working hours of press-in work, on a tablet or PC (both optional extras).

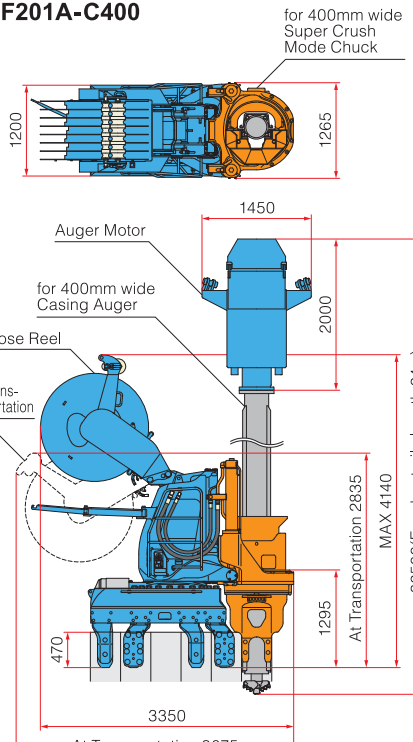


Dimensions & Specifications

Super Crush Mode

400mm wide

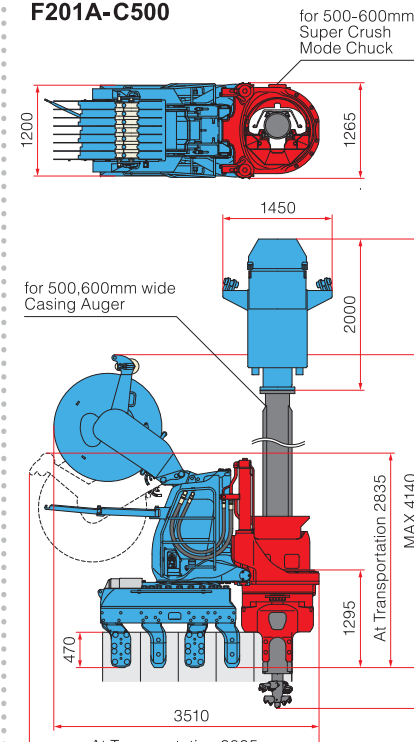
F201A-C400 for 400mm wide Super Crush Mode Chuck



Auger Motor
for 400mm wide Casing Auger
Hose Reel
At Transportation
MAX 4140
At Transportation 2835
MAX 4140
At Transportation 3675

500mm wide

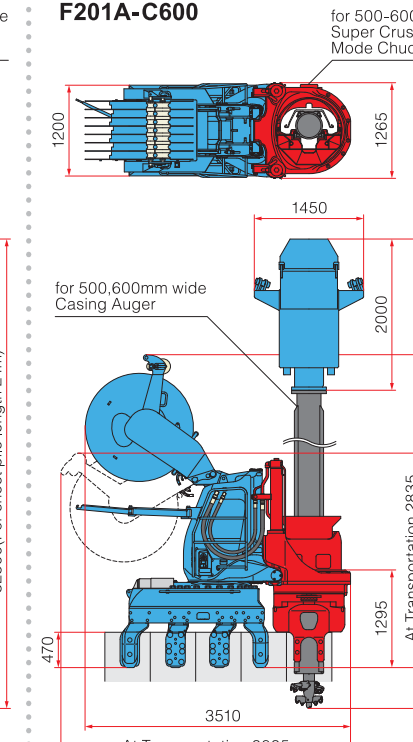
F201A-C500 for 500-600mm wide Super Crush Mode Chuck



Auger Motor
for 500,600mm wide Casing Auger
Hose Reel
At Transportation
MAX 4140
At Transportation 2835
MAX 4140
At Transportation 3835

600mm wide

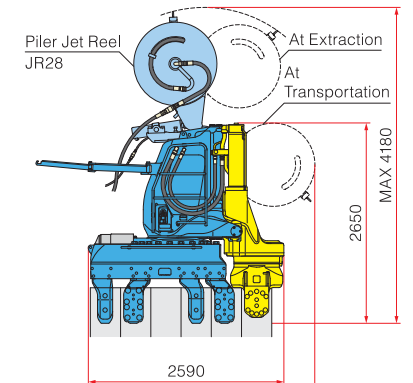
F201A-C600 for 500-600mm wide Super Crush Mode Chuck



Auger Motor
for 500,600mm wide Casing Auger
Hose Reel
At Transportation
MAX 4140
At Transportation 2835
MAX 4140
At Transportation 3835

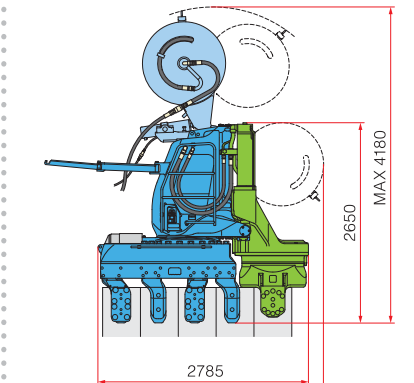
Water Jetting Mode

F201A-400



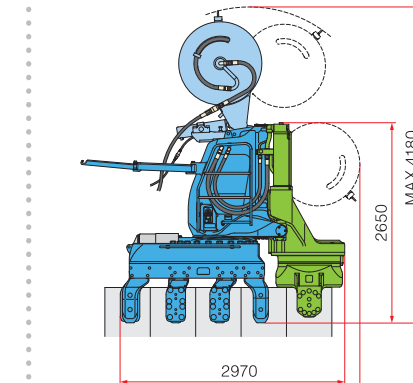
Piler Jet Reel JR28
At Extraction
At Transportation
MAX 4180
At Transportation 3000

F201A-500



At Transportation 2985

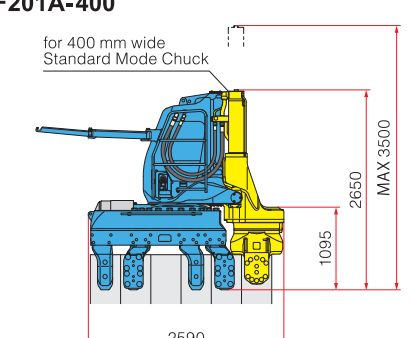
F201A-600



At Transportation 3170

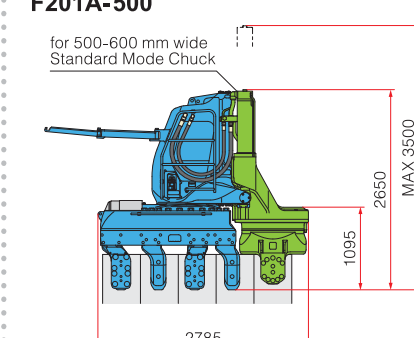
Standard Mode

F201A-400 for 400 mm wide Standard Mode Chuck



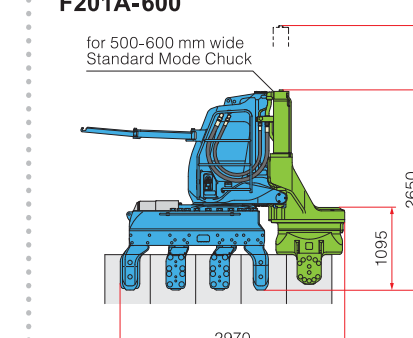
MAX 3500
At Transportation 2590

F201A-500 for 500-600 mm wide Standard Mode Chuck



MAX 3500
At Transportation 2785

F201A-600 for 500-600 mm wide Standard Mode Chuck



MAX 3500
At Transportation 2970

F201A Specifications

● Super Crush Mode

Max. Press-in Force	800 kN
Max. Extraction Force	900 kN
Stroke	850 mm
Press-in Speed	0.5 ~ 4.5 m/min
Extraction Speed	1.1 ~ 9.4 m/min
Control System	Radio Control
Mass (Main Body & Hose Reel)	for 400mm wide sheet pile 13160 kg for 500, 600mm wide sheet pile 13660 kg
Hose Reel	HR17C
Mass(Standard) (including Hose Reel Bracket)	2810 kg
Pile Auger	PA22
Applicable pile length (Standard)	Max 24 m*
Auger Motor	1850 kg
Mass Casing Auger	for 400mm wide sheet pile 9050 kg for 500, 600mm wide sheet pile 10050 kg
Total Mass	for 400mm wide sheet pile 10900 kg for 500, 600mm wide sheet pile 11900 kg

*Max 30m in special mode

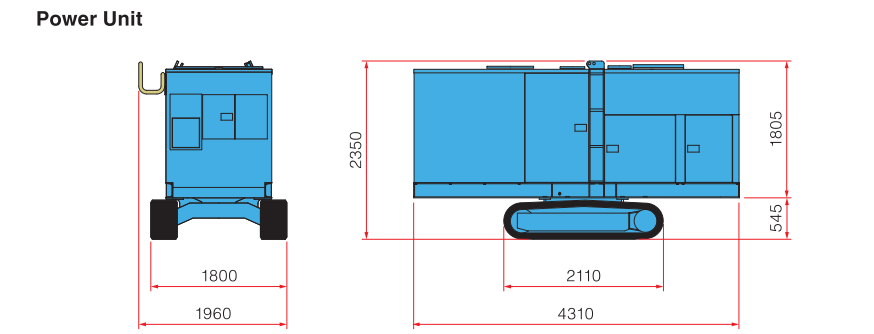
● Water Jetting Mode

Max. Press-in Force	1500 kN
Max. Extraction Force	1600 kN
Stroke	850 mm
Press-in Speed	1.4 ~ 30.0 m/min
Extraction Speed	1.1 ~ 23.2 m/min
Control System	Radio Control
Mass (Main Body & Piler Jet Reel)	for 400mm wide sheet pile 10820 kg for 500, 600mm wide sheet pile 11120 kg
Piler Jet Reel	JR28
Applicable pile length	Standard 17.0 m (Max. 27.0 m)
Mass	820 kg

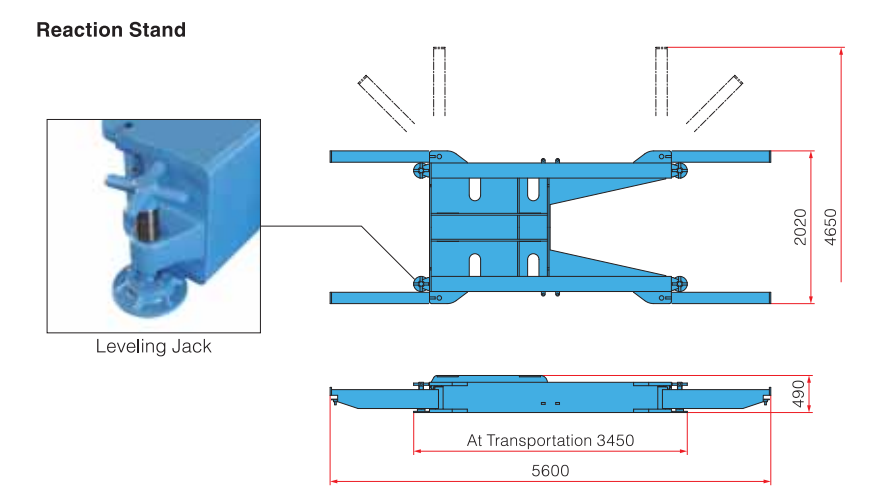
Piler Jet Reel is an optional item

● Standard Mode

Max. Press-in Force	1500 kN
Max. Extraction Force	1600 kN
Stroke	850 mm
Press-in Speed	1.4 ~ 30.0 m/min
Extraction Speed	1.1 ~ 23.2 m/min
Control System	Radio Control
Mass (Main Body)	for 400mm wide sheet pile 10000 kg for 500, 600mm wide sheet pile 10300 kg



Power Unit	EU300K4
Power Source	Diesel Engine
Power Mode	265 kW (360 ps) / 1800 min ⁻¹
Rated Output Eco Mode	236 kW (321 ps) / 1600 min ⁻¹
Super Eco Mode	206 kW (280 ps) / 1400 min ⁻¹
Fuel Tank Capacity	600 L
Hydraulic Reservoir	PILER ECO Oil 630 L
Urea Additive Tank Capacity	38 L
Moving Speed	1.4 km/h
Mass	7250 kg (with 20m Hose)



Reaction Stand (with Leveling Jack)	Mass
	1900 kg

Chuck Mass

Sheet Pile Width	Standard Mode Chuck	Super Crush Mode Chuck
500, 600 mm	2850 kg	3400 kg
400 mm	2550 kg	2900 kg

The above specifications are subject to alteration without prior notice.