

Technical data

Engine (6 cylinder):

- VOLVO PENTA**
 TAD881VE EU Stage V
 Power: 185 kW (252 HP) from 1600 rpm
 Max. revolution: 1150 Nm from 1100 - 1500 rpm
 Max. torque: 1175 Nm at 1400 rpm
 Displacement: 7,7 liters

Optional:

- VOLVO PENTA**
 TAD882VE EU Stage V
 Power: 210 kW (286 HP) from 1700 rpm
 Max. revolution: 1225 Nm from 1100 - 1600 rpm
 Max. torque: 1255 Nm at 1400 rpm
 Displacement: 7,7 liters

Transmission:

- 904H: HSM High Speed Drive (71 series); speed at 1st gear 0-14 km/h
- 904ZF: ZF 6WG-190 load switching converter transmission 6 forward gears, 3 reverse gears

Axles:

- Planetary axles
- 100 % separately selectable differential locks, front and rear

Brake:

- 2-circuit brake, disk brake running in an oil bath
- Spring-loaded parking brake

Steering:

- Articulated steering with 2 cylinders, 45° steering angle

Tank capacity:

- | | | |
|----------------|-------------|--------------|
| Diesel: | 904H: 210 l | 904ZF: 225 l |
| AdBlue: | 45 l | 45 l |
| Hydraulic oil: | 110 l | 150 l |

Hydraulic system:

- Load sensing
- Variable pump (working pump) 904H:
 flow rate: 304 l/min at 1600 rpm
 pressure: up to max. 350 bar
- Variable pump (working pump) 904ZF:
 flow rate: 224 l/min at 1600 rpm
 pressure: up to max. 350 bar
- Hydraulic oil: Saturated synthetic ester Panolin HLP SYNTH with Kleenoil Microfiltration; WGK 1

Cabin:

- HSM Panorama comfort cab (see page 12-13)
- ROPS, FOPS, OPS tested safety cab
- Swivel seat device, air-suspended comfort seat
- Heating/air-conditioning

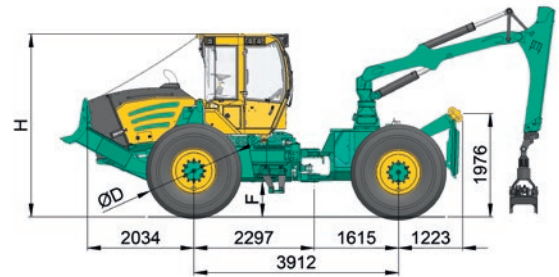
Electrics / Instruments:

- HSM Ecommand colour-display
- 5 operator programs + factory setting
- Diagnosis-tool and error-indication
- Graphic support at parameter editing
- Generator 110 A (28 V)
- 2 service-free dry batteries à 55 Ah

Special equipment:

- Tiltable front polder shield, trailer hitch, outer hydraulic connection, remote control for cable winch, wireless driving, auxiliary heating, sun blinds, seat area dampers
- Other accessories on request

904



Winches:

- Series: Adler HY 20-SG (2 x 100 kN) double-drum winch Max. cable take-up 14 mm, 100 m
- Optional: Adler HY 24-SG (2 x 120 kN) double-drum winch Max. cable take-up 14 mm, 130 m
 Adler HY 32-SG (2 x 160 kN) double-drum winch Max. cable take-up 14 mm, 130 m
 Adler HY 32-LO (2 x 160 kN) double-drum winch Max. cable take-up 14 mm, 190 m

Weight:

- from 15.200 kg

Crane:

- Series: Epsilon M80 R59 (max. range 5,9 m, 95 kNm gross lifting moment)
- Cranes up to a lifting moment of 170 kNm and range of up to 10,4 m available. For further cranes see crane brochure.

Tyres:

		Standard 24,5-32	30,5-32	
904H	D	1831	1857	* B: minimum machine width (dimensions in mm)
	B*	2430	2730	
	H	3500	3507	
	F	672	679	
904ZF	H	3550	3557	
	F	545	552	

Standard equipment:

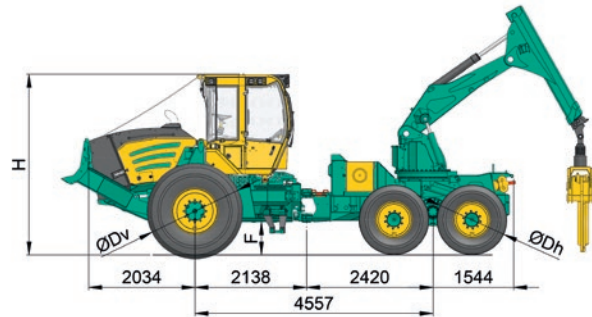
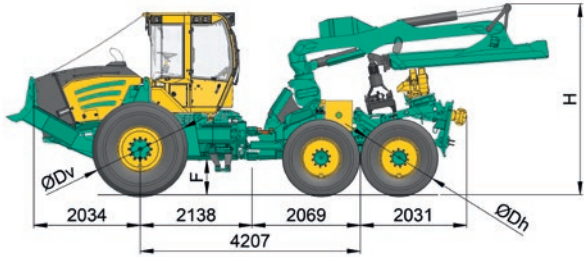
- Fixed front polder shield, 2000 mm wide
- Straight shield as sprag brake

Special equipment:

- Hydraulically height-adjustable roller block
- Clamping workbench on height-adjustable roller block
- Straight shield with sprag brake
- „Skidder France“ version pulley
- Engine bonnet protection and brush guard made from tubing
- Remote control, wireless driving
- Other accessories on request

904 6WD

904Z 6WD



Winches:

- Series: Adler HY 20 (2 x 100 kN) double-drum winch
Max. cable take-up 14 mm, 100 m
- Optional: Adler HY 24-O (2 x 120 kN) double-drum winch
Max. cable take-up 14 mm, 130 m
Adler HY 32-O (2 x 160 kN) double-drum winch
Max. cable take-up 14 mm, 150 m

Weight:

- from 17.000 kg

Crane:

- Series: Epsilon X150 R80 tiltable
(max. range 8 m, 170 kNm gross lifting moment)
- Optional: Epsilon X150 R104 tiltable
(max. range 10,4 m, 170 kNm gross lifting moment)

Tyres:

		Standard 24,5-32 710/45-26,5	30,5-32 710/45-26,5
904H	Dv	1831	1857
	Dh	1465	1485
	B*	2430	2730
	H	3694	3701
	F	672	679
904ZF	H	3694	3701
	F	545	552

* B: minimum machine width (dimensions in mm)

Standard equipment:

- Fixed front polder shield, 2000 mm wide
- Straight shield as sprag brake

Special equipment:

- Clamping workbench on height-adjustable roller block
- „Skidder France“ version pulley
- Engine bonnet protection and brush guard made from tubing
- Bogie lift back
- Remote control, wireless driving
- Other accessories on request

Winches:

- Series: Adler HY 20-SG (2 x 100 kN) double-drum winch
Max. cable take-up 14 mm, 100 m
- Optional: Adler HY 24-SG (2 x 120 kN) double-drum winch
Max. cable take-up 14 mm, 130 m
Adler HY 32-SG (2 x 160 kN) double-drum winch
Max. cable take-up 14 mm, 130 m

Weight:

- from 17.300 kg

Crane:

- Series:
 - Articulated arm with simple telescope: 6,1 m range
 - Gross lifting moment: 270 kNm
 - Swivel range: 210°
 - Pivoting moment: 80 kNm
 - Gripper cross-section: 1,2 m² (optional 0,9 m²)
- Optional:
 - HSM S3 - 7,5 7,5 m range
 - HSM S3 - 8,4 8,4 m range
 - HSM S3 - 10 10 m range

Tyres:

		Standard 24,5-32 710/45-26,5	30,5-32 710/45-26,5
904H	Dv	1831	1857
	Dh	1465	1485
	B*	2430	2730
	H	3500	3507
	F	672	679
904ZF	H	3550	3557
	F	545	552

* B: minimum machine width (dimensions in mm)

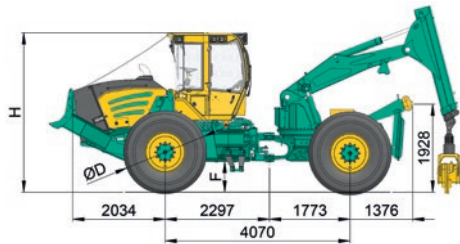
Standard equipment:

- Fixed front polder shield, 2000 mm wide
- Straight shield as sprag brake

Special equipment:

- Hydraulically height-adjustable roller block
- „Skidder France“ version pulley
- Straight shield „France“
- Engine bonnet protection and brush guard made from tubing
- Bogie lift back
- Remote control, wireless driving
- Other accessories on request

904ZL



Winches:

- Series: Adler HY 20 (2 x 100 kN) double-drum winch
Max. cable take-up 14 mm, 100 m
- Optional: Adler HY 24-O (2 x 120 kN) double-drum winch
Max. cable take-up 14 mm, 130 m
Adler HY 32-O (2 x 160 kN) double-drum winch
Max. cable take-up 14 mm, 150 m
Adler HY 32-LO (2 x 160 kN) double-drum winch
Max. cable take-up 14 mm, 190 m
TCM 16+ (2 x 160 kN) double-drum winch
Max. cable take-up 14 mm, 220 m

Weight:

- from 14.700 kg

Crane:

- Series: Articulated arm with simple telescope: 6,1 m range
Gross lifting moment: 270 kNm
Swivel range: 210°
Pivoting moment: 80 kNm
Gripper cross-section: 1,2 m² (optional 0,9 m²)
- Optional: HSM S3 - 7.5 7,5 m range
HSM S3 - 8.4 8,4 m range
HSM S3 - 10 10 m range

Tyres:

		Standard 24,5-32	30,5-32
904H	D	1831	1857
	B*	2430	2730
	H	3500	3507
	F	672	679
904ZF	H	3550	3557
	F	545	552

* B: minimum machine width (dimensions in mm)

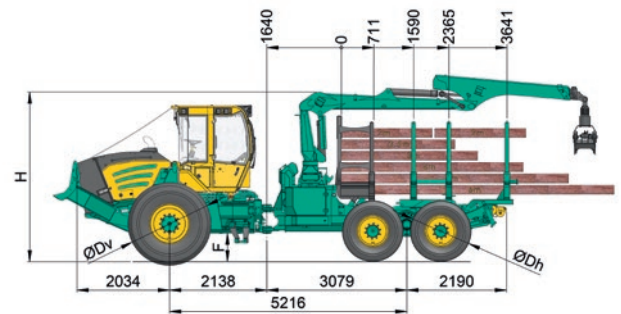
Standard equipment:

- Fixed front polder shield, 2000 mm wide
- Straight shield as sprag brake

Special equipment:

- Hydraulically height-adjustable roller block
- „Skidder France“ version pulley
- Straight shield „France“
- Engine bonnet protection and brush guard made from tubing
- Remote control, wireless driving
- Other accessories on request

904F Kombi short



Winches:

- Series: Adler HY 20-SG (2 x 100 kN) double-drum winch
Max. cable take-up 14 mm, 100 m
- Optional: Adler HY 24-SG (2 x 120 kN) double-drum winch
Max. cable take-up 14 mm, 130 m
Adler HY 32-SG (2 x 160 kN) double-drum winch
Max. cable take-up 14 mm, 130 m

Weight:

- from 17.600 kg

Payload:

- 11 t

Crane:

- Epsilon M70 F80 (series)
- For further cranes see crane brochure

Tyres:

		Standard 24,5-32 710/45-26,5	30,5-32 710/45-26,5
904H	Dv	1831	1857
	Dh	1465	1485
	B*	2430	2730
	H	3769	3776
904ZF	H	3769	3776
	F	545	552

* B: minimum machine width (dimensions in mm)

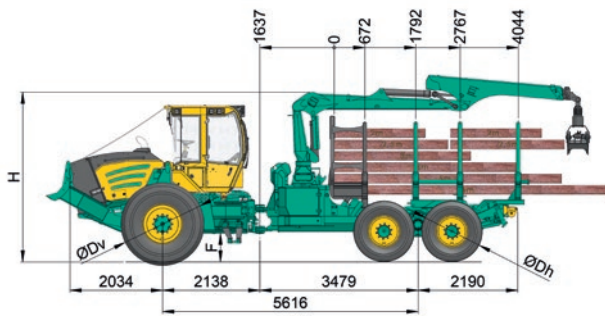
Standard equipment:

- Headboard grid and first stanchion removable
- Last stanchion can be removed and adjusted to 2,4 m, 3,2 m and 3,65 m
- Height-adjustable roller block
- Torsion lock with hydraulic cylinder
- Reversing camera with color monitor
- LED rear headlights

Special equipment:

- Front polder shield
- Straight shield
- Clamping workbench with quick-change plate
- Twin stanchions as 2nd and 3rd stanchion on quick-change plate
- Rotating stanchion
- Bogie lift at the rear
- Tiltable crane
- Remote control, wireless driving
- Other accessories on request

904F Kombi long



Winches:

- Series: Adler HY 20-SG (2 x 100 kN) double-drum winch
Max. cable take-up 14 mm, 100 m
- Optional: Adler HY 24-SG (2 x 120 kN) double-drum winch
Max. cable take-up 14 mm, 130 m
Adler HY 32-SG (2 x 160 kN) double-drum winch
Max. cable take-up 14 mm, 130 m

Weight:

- from 17.800 kg

Payload:

- 11 t

Crane:

- Epsilon M70 F80 (series)
- For further cranes see crane brochure

Tyres:

		Standard 24,5-32 710/45-26,5	30,5-32 710/45-26,5
904H	Dv	1831	1857
	Dh	1465	1485
	B*	2430	2730
	H	3769	3776
	F	672	679
904ZF	H	3769	3776
	F	545	552

* B: minimum machine width (dimensions in mm)

Standard equipment:

- Headboard grid and first stanchion removable
- Last stanchion can be removed and adjusted to 2,4 m, 3,2 m and 4,05 m
- Height-adjustable roller block
- Torsion lock with hydraulic cylinder
- Reversing camera with color monitor
- LED rear headlights

Special equipment:

- Front polder shield
- Straight shield
- Clamping workbench with quick-change plate
- Twin stanchions as 2nd and 3rd stanchion on quick-change plate
- Rotating stanchion
- Bogie lift at the rear
- Tiltable crane
- Remote control, wireless driving
- Other accessories on request

The variable rear



Last stanchion variable in „short“ position



Last stanchion variable in „centre“ position



Last stanchion variable in „long“ position



Quick-change twin stanchion for 2 x 2 or 2 x 2.5 m wood (not for 805F short version)



Height-adjustable pulleys
Up to 2 m



Rope forwarding possible
Without reconfiguring the stanchion



Log forwarding with quick-change clamping workbench



Rope forwarding possible
without reconfiguring the clamping workbench