



**PARMA 13D**

**SELF PROPELLED AERIAL PLATFORM, ARTICULATED & TESLECOPIC. DIESEL (KUBOTA D722),  
FOR WORKING HEIGHTS UP TO 13,2 METERS (43,30 FEET)**

**STANDARD MODEL:**

- \* Platform with water cooling Kubota engine
- \* Electronic level
- \* Steel Basket (1.4 x 0,7) m
- \* Proportional controls
- \* Safety pedal
- \* Oscilating axle
- \* 4x2 wheel drive & wheel steering
- \* Hydraulic stabilizers



Management  
System  
ISO 9001:2008

www.tuv.com  
ID 9105060482

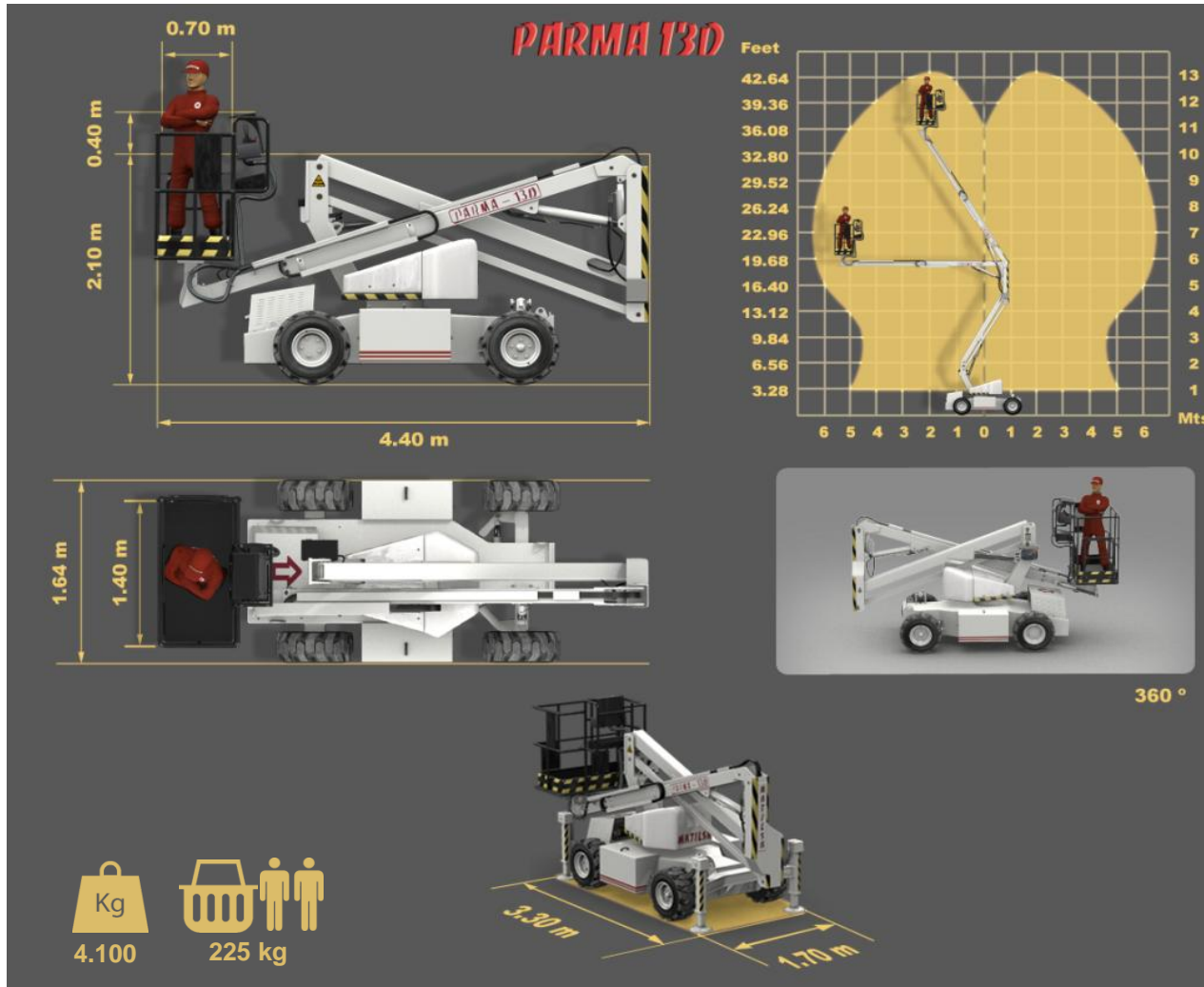


# PARMA 13D



## Optional accessories

- 1 Electric outlet in basket
- 2 Charge indicator for batteries
- 3 Hour meter
- 4 Bi-energetic system 210A
- 5 Bi-energetic system 285A
- 6 Hydraulic basket rotation 150°
- 7 Rotating light
- 8 Aluminium basket 1,9m + basket load
- 9 Automatic leveling
- 10 Control weight in the basket





**PARMA 13E**

**SELF PROPELLED AERIAL PLATFORM, ARTICULATED & TELESCOPIC. BATTERY OPERATED, FOR WORKING HEIGHTS UP TO 13,2 METER (43,30 FEET)**

**STANDARD MODEL:**

- \* Platform with Batteries of 210A - 48V
- \* Electronic level
- \* Steel Basket (1,4 x 0,7) m
- \* Proportional controls
- \* Safety pedal
- \* Electronic variator to save batteries





# PARMA 13E



## Optional accessories

- 1 Electric outlet in basket
- 2 Charge indicator for batteries
- 3 Hour meter
- 4 Batteries with greater charge of capacity
- 5 Rotating light
- 6 Hydraulic basket rotation 150°
- 7 Aluminium basket 1,9m + basket load
- 8 No marking tyres
- 9 Control weight in the basket

### PARMA 13E

Feet

42.64	13
39.36	12
36.08	11
32.80	10
29.52	9
26.24	8
22.96	7
19.68	6
16.40	5
13.12	4
9.84	3
6.56	2
3.28	1

Mts

360°

**3.520**

**225 kg**





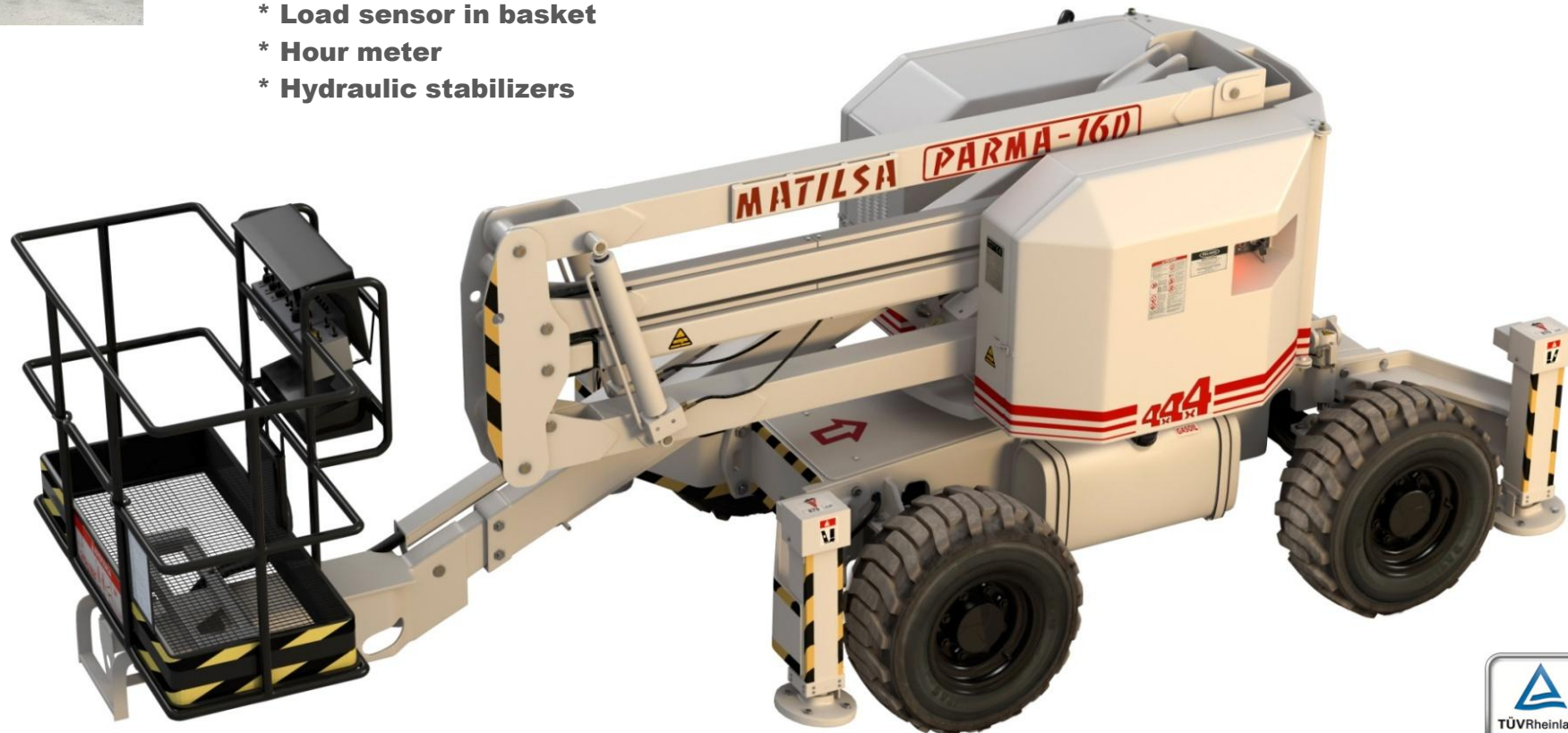
**PARMA 16D**

**SELF PROPELLED AERIAL PLATFORM, ARTICULATED & TELESCOPIC. DIESEL, FOR WORKING HEIGHTS UP TO 16 METER (51,80 FEET)**



**STANDARD MODEL:**

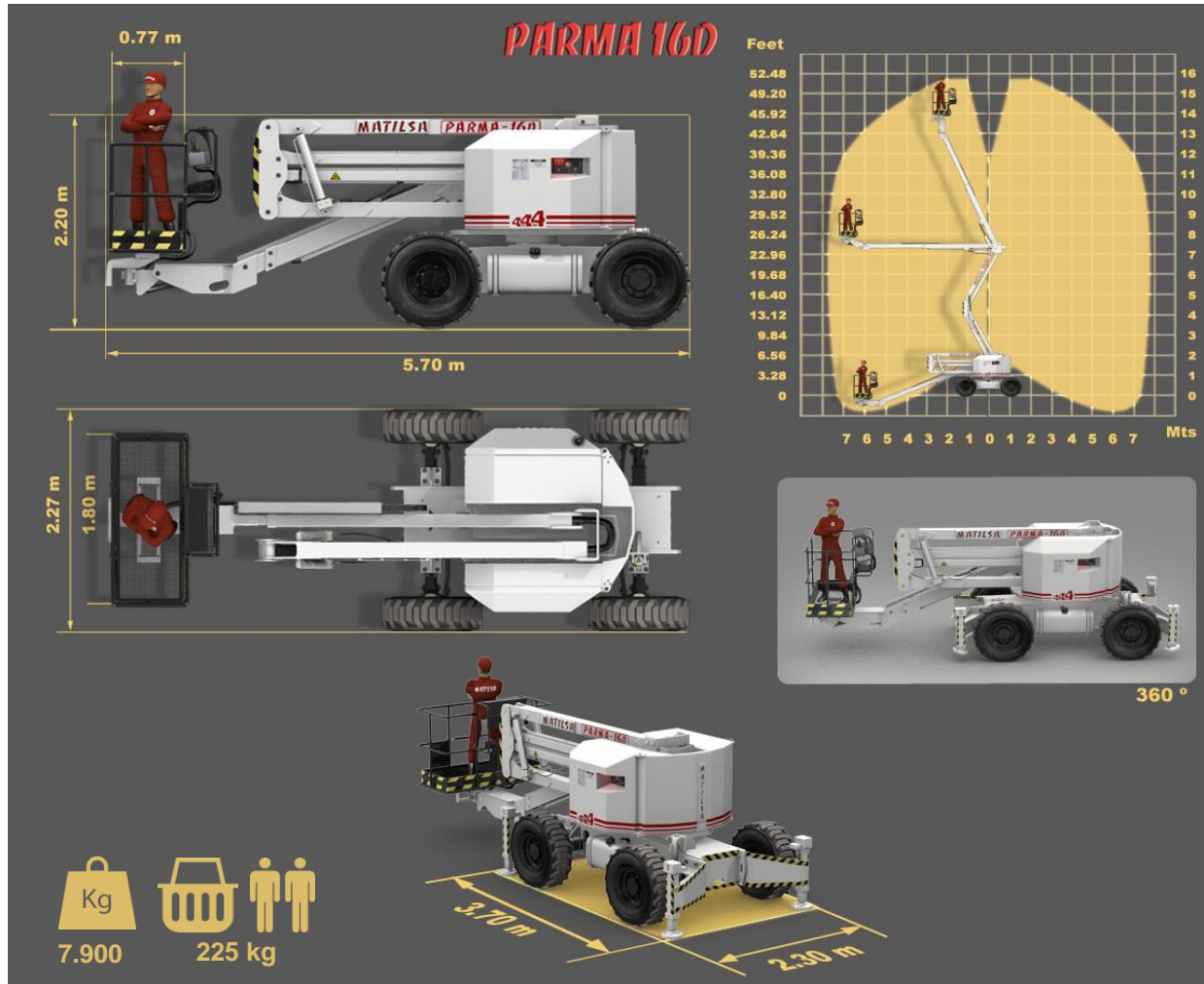
- \* Platform with different motorizations
- \* Electronic level
- \* Emergency lowering from the basket
- \* Steel Basket (1,8 x 0,8) m
- \* Proportional controls
- \* Oscilating axle
- \* 4x4 wheel drive & 4 wheel steering with 3 positions
- \* Basket rotation 180°
- \* Load sensor in basket
- \* Hour meter
- \* Hydraulic stabilizers



Management System  
ISO 9001:2008  
www.tuv.com  
ID 9105060482



# PARMA 16D



## Optional accessories

- 1 Electric outlet in basket
- 2 Quick outlet for air and water
- 3 Rotating light
- 4 Automatic leveling
- 5 320 kgr. capacity





**PARMA 18D**

**SELF PROPELLED AERIAL PLATFORM, ARTICULATED & TELESCOPIC. DIESEL, FOR WORKING HEIGHTS UP TO 18 METER (59,05 FEET)**

**STANDARD MODEL:**

- \* Platform with different motorizations
- \* Electronic level
- \* Emergency lowering from the basket
- \* Steel Basket (1,8 x 0,8) m
- \* Proportional controls
- \* Oscilating axle
- \* 4x4 wheel drive & 4 wheel steering with 3 positions
- \* Basket rotation 180°
- \* Load sensor in basket
- \* Hour meter
- \* Hydraulic stabilizers



Management System  
ISO 9001:2008

www.tuv.com  
ID 9105060482

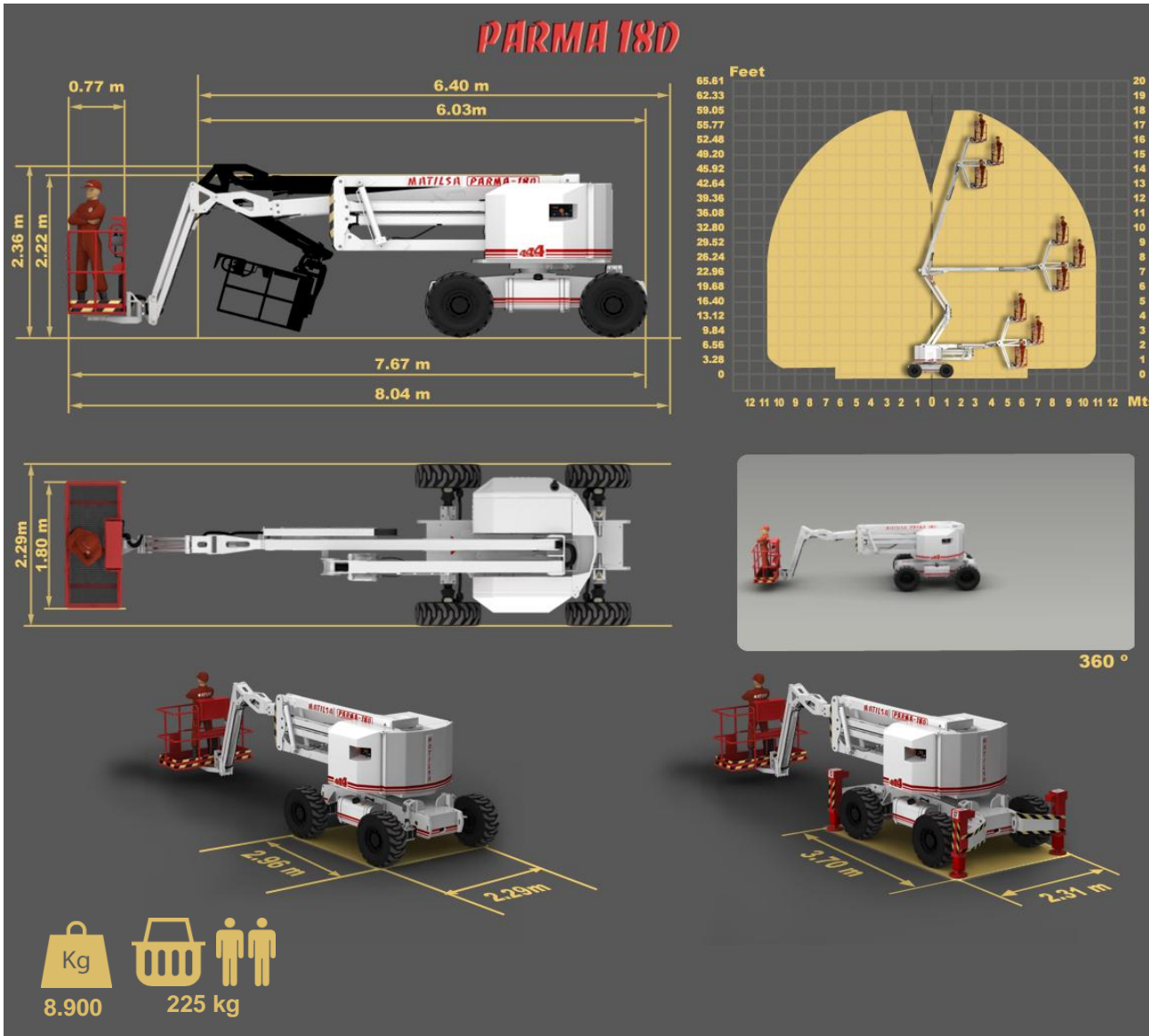


# PARMA 18D



## Optional accessories

- 1 Electric outlet in basket
- 2 Quick outlet for air and water
- 3 Rotating light
- 4 Automatic leveling







**PARMA 21D**

**SELF PROPELLED AERIAL PLATFORM, ARTICULATED & TELESCOPIC. DIESEL, FOR WORKING HEIGHTS UP TO 21 METER (68,89 FEET)**

**STANDARD MODEL:**

- \* Platform with diferent motorizations
- \* Electronic level
- \* Emergency lowering from the basket
- \* Steel Basket (1,8 x 0,8) m
- \* Proportional controls
- \* Oscilating axle
- \* 4x4 wheel drive & 4 wheel steering with 3 positions
- \* Basket rotation 180°
- \* Load sensor in basket
- \* Hourmeter
- \* Hydraulic stabilizers



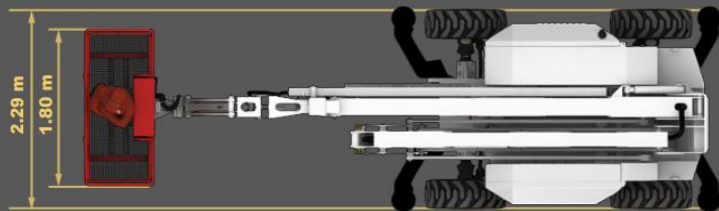
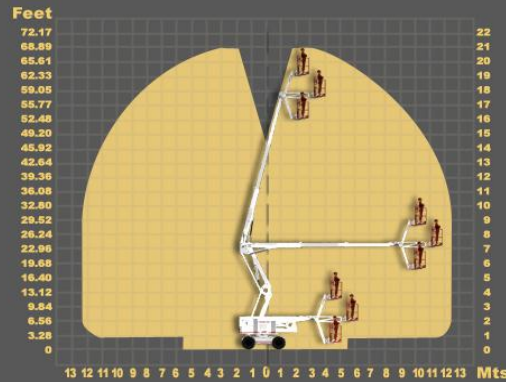
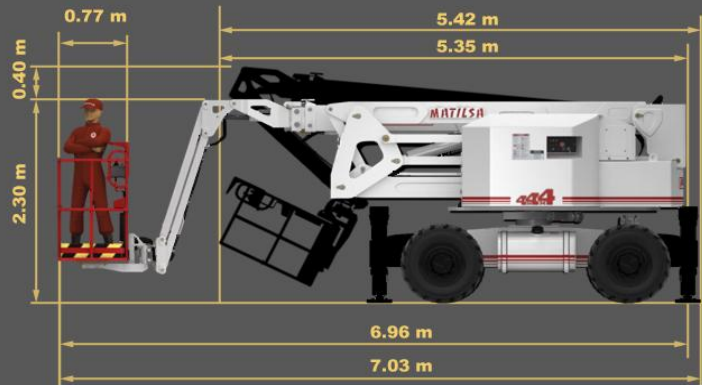
Management System  
ISO 9001:2008  
www.tuv.com  
ID 9105060482



**PARMA 210**



**PARMA 210**



**Optional accessories**

- 1 Electric outlet in basket
- 2 Quick outlet for air and water
- 3 Rotating light
- 4 Automatic leveling

