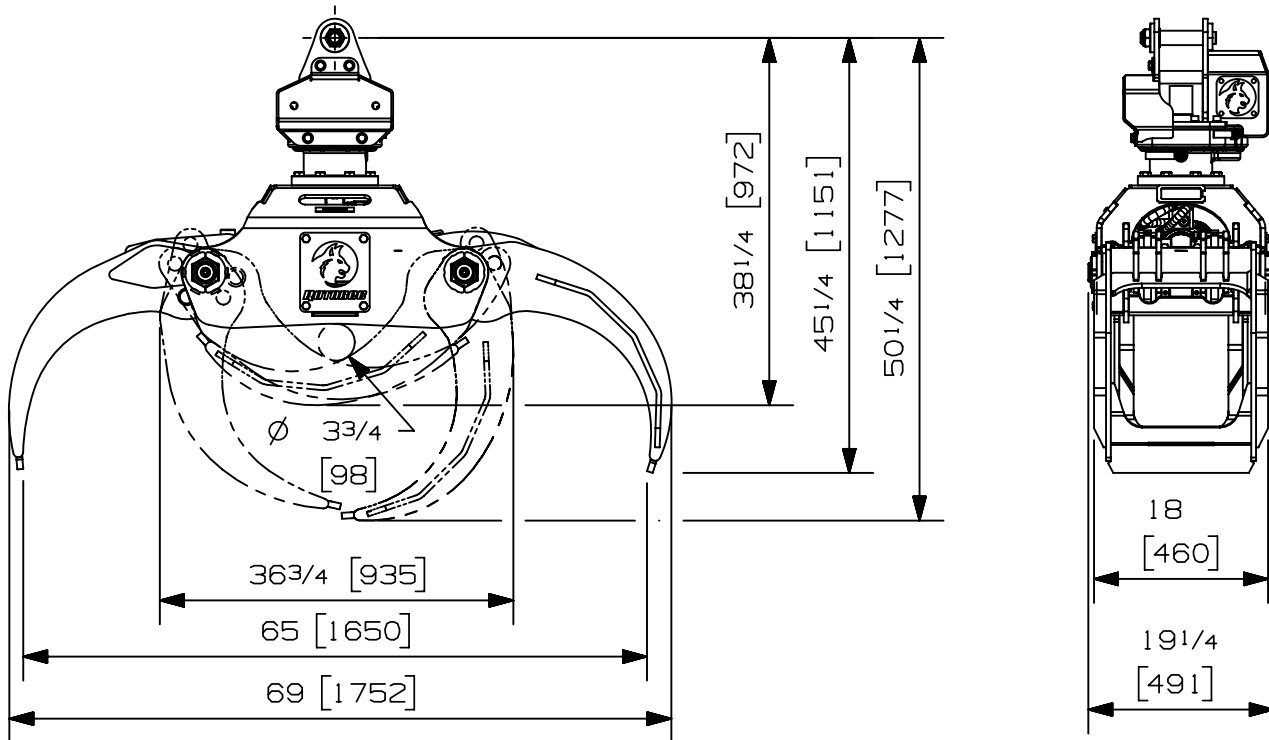


Max load:	- lb	- kg
Volume:	.18 cord of 8 ft	.63 m ³
Area tip to tip:	2.80 ft ²	.26 m ²
Rotator lifting capacity:	14000 lb	6350 kg
Torque at relief pressure:	8450 lb-in	955 Nm
	913 psi	63 bars
Weight:	820 lb	372 kg

Rotator	Maximum pressure: 5000 psi 345 bars	Recommended flow: 8 gpm 30 l/min
Rotator recommended flow will produce a maximum speed of 30 rpm		

Cylinder	Diameter	Recommended pressure	Pressure range	Flow range	Lock valves
Standard	3 " (76 mm)	3000 psi (207 bars)	2500 - 3500 psi (172-241 bars)	6 - 9 gpm (23-34 l/min.)	No

Grapple cylinder maximum flow will theoretically produce a complete grapple open/close cycle in 6 seconds.



Options:

-
-
-
-

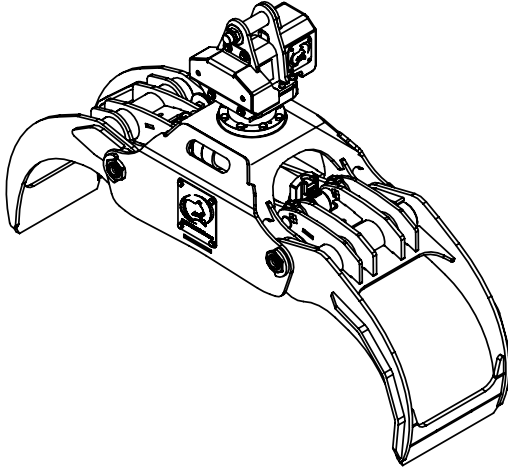
web site: www.rotobec.com

email: rotobec@rotobec.com

Rotobec Inc.: Head office serving OEM's and Eastern Canada Ph: (418) 383-3002 Fax: (418) 383-5334
Rotobec West: Branch serving Western Canada and Western USA Ph: (250) 765-1161 Fax: (250) 765-0035
Rotobec USA: Branch serving Eastern and Central USA Ph: (603) 444-2103 Fax: (603) 444-0327

We reserve the right to change specifications and to improve our products without notice or obligation.

07010-6601
20/04/20 J-M.L.

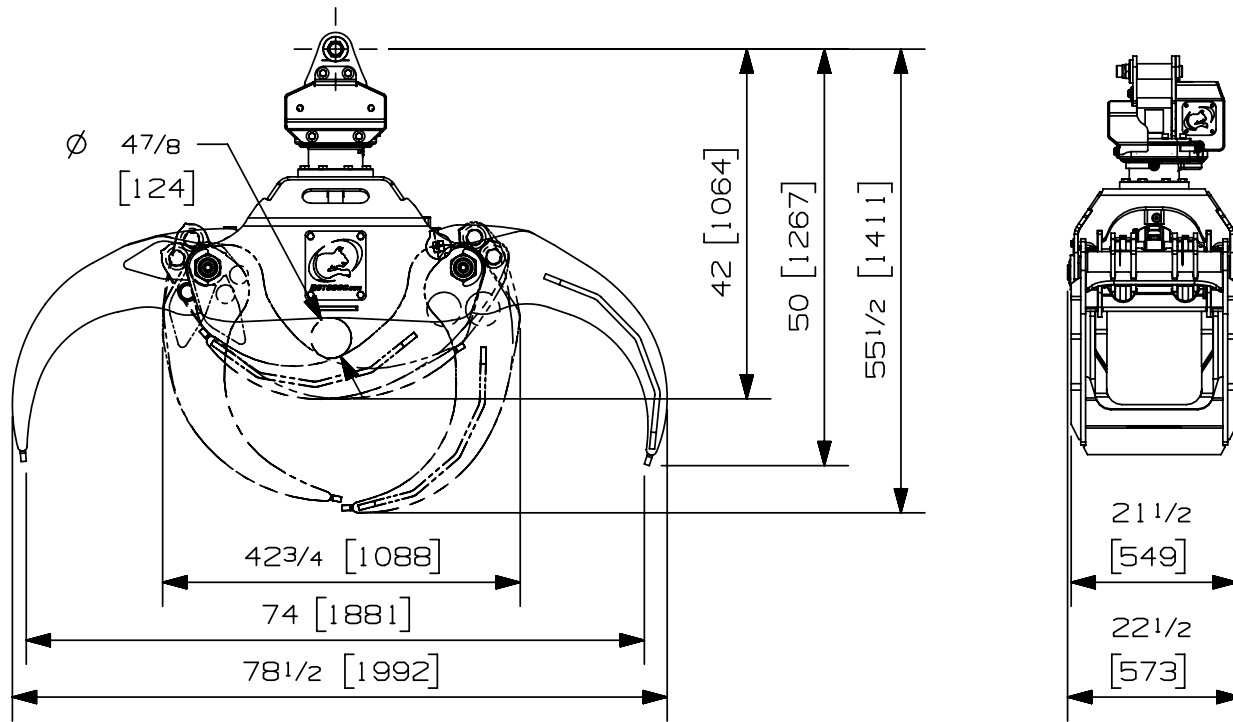


Max load:	n/a lb	n/a kg
Volume:	.24 cord of 8 ft	.87 m ³
Area tip to tip:	3.88 ft ²	.36 m ²
Rotator lifting capacity:	14000 lb	6350 kg
Torque at relief pressure:	8450 lb-in	955 Nm
	913 psi	63 bars
Weight:	1100 lb	499 kg

Rotator	Maximum pressure: 5000 psi 345 bars	Recommended flow: 8 gpm 30 l/min
Rotator recommended flow will produce a speed of 30 rpm		

Cylinder	Diameter	Recommended pressure	Pressure range	Flow range	Lock valves
Standard	3 1/2 " (89 mm)	3000 psi (207 bars)	2500-3500 psi (172-241 bars)	9-14 gpm (34-53 l/min.)	no
Standard	3 " (76 mm)	4300 psi (297 bars)	3600-5000 psi (248-345 bars)	6-10 gpm (23-38 l/min.)	no

Grapple cylinder maximum flow will theoretically produce a complete grapple open/close cycle in 4 seconds.



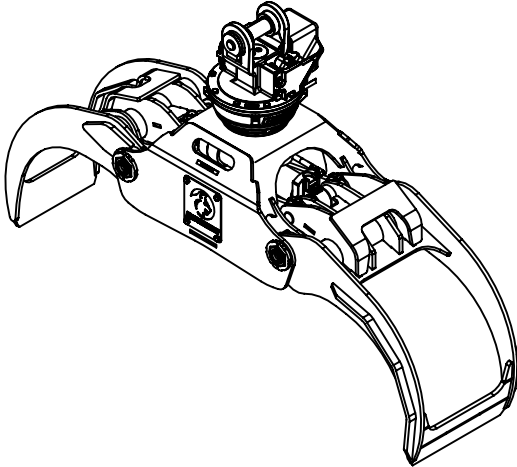
Options:

-
-
-
-

web site: www.rotobec.com

email: rotobec@rotobec.com

Rotobec Inc.: Head office serving OEM's and Eastern Canada Ph: (418) 383-3002 Fax: (418) 383-5334
Rotobec West: Branch serving Western Canada and Western USA Ph: (250) 765-1161 Fax: (250) 765-0035
Rotobec USA: Branch serving Eastern and Central USA Ph: (603) 444-2103 Fax: (603) 444-0327

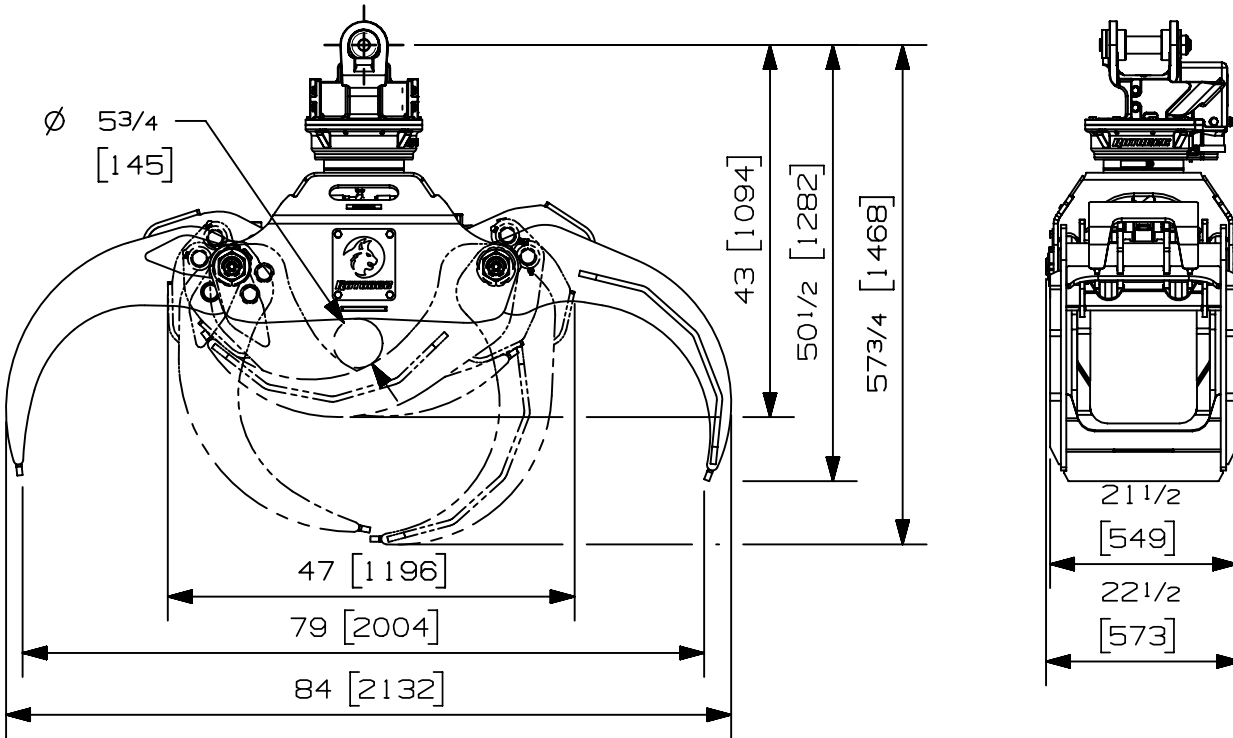


Max load:	n/a lb	n/a kg
Volume:	.28 cord of 8 ft	1.01 m ³
Area tip to tip:	4.52 ft ²	.42 m ²
Rotator lifting capacity:	25000 lb	11340 kg
Torque at relief pressure:	16150 lb-in	1825 Nm
	1450 psi	100 bars
Weight:	1225 lb	556 kg

Rotator	Maximum pressure: 5000 psi 345 bars	Recommended flow: 9 gpm 34 l/min
Rotator recommended flow will produce a speed of 30 rpm		

Cylinder	Diameter	Recommended pressure	Pressure range	Flow range	Lock valves
Standard	3 1/2 " (89 mm)	3000 psi (207 bars)	2500-3500 psi (172-241 bars)	9-14 gpm (34-53 l/min.)	no
Standard	3 " (76mm)	4300 psi (207 bars)	3600-5000 psi (248-345 bars)	6-10 gpm (23-38 l/min)	no

Grapple cylinder maximum flow will theoretically produce a complete grapple open/close cycle in 4 seconds.



Options:

-
-
-
-

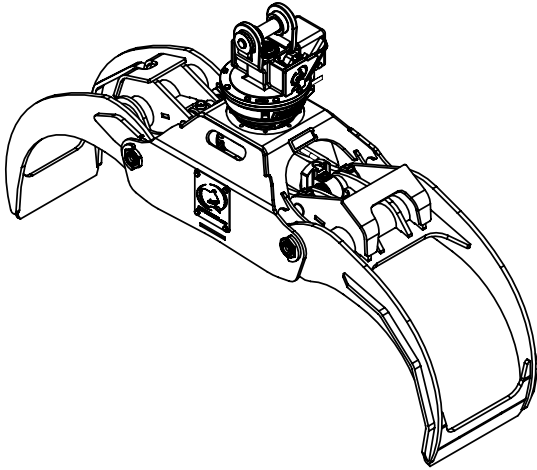
web site: www.rotobec.com

email: rotobec@rotobec.com

Rotobec Inc.: Head office serving OEM's and Eastern Canada Ph: (418) 383-3002 Fax: (418) 383-5334
Rotobec West: Branch serving Western Canada and Western USA Ph: (250) 765-1161 Fax: (250) 765-0035
Rotobec USA: Branch serving Eastern and Central USA Ph: (603) 444-2103 Fax: (603) 444-0327

We reserve the right to change specifications and to improve our products without notice or obligation.

07010-9467 D.B.
02/09/21

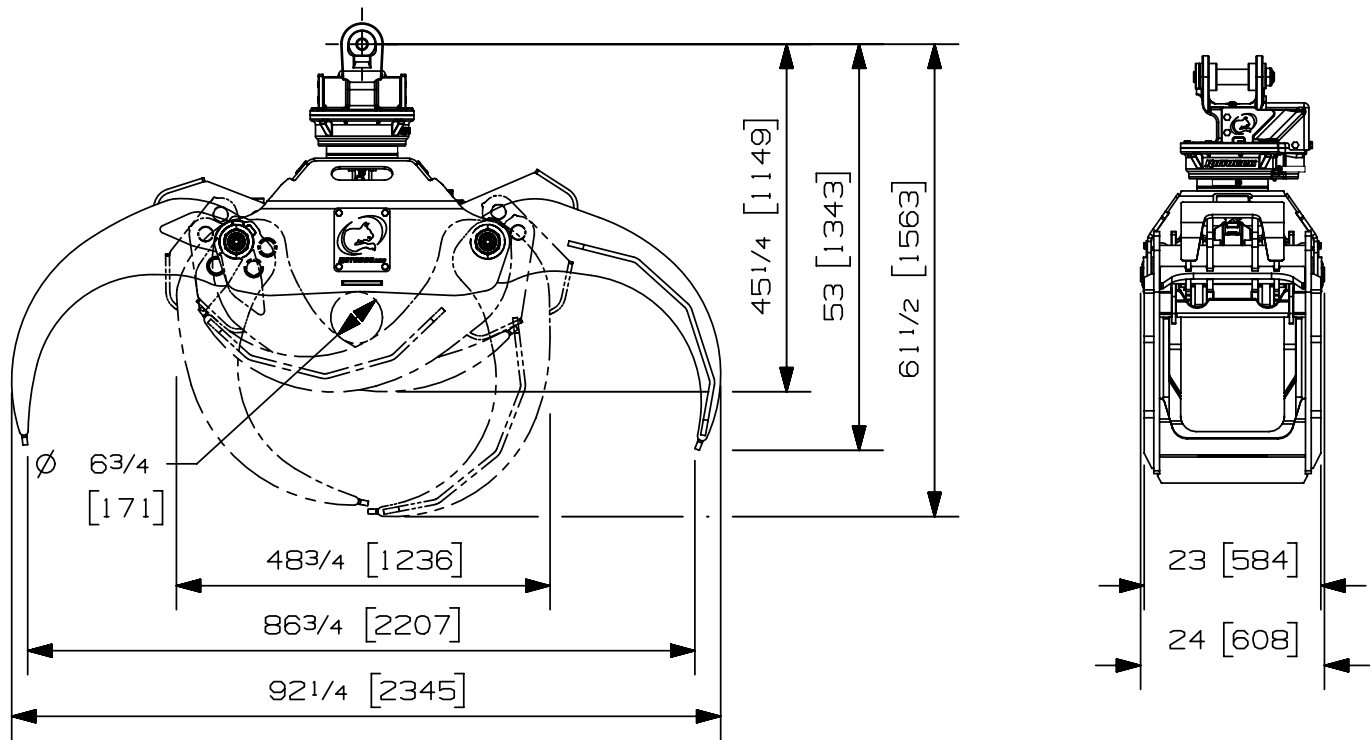


Max load:	n/a lb	n/a kg
Volume:	.35 cords of 8 ft	1.27 m ³
Area tip to tip:	5.59 ft ²	.52 m ²
Rotator lifting capacity:	25000 lb	11340 kg
Torque at relief pressure:	16150 lb-in	1825 Nm
	1450 psi	100 bars
Weight:	1455 lb	660 kg

Rotator	Maximum pressure: 5000 psi 345 bars	Recommended flow: 9 gpm 34 l/min
Rotator recommended flow will produce a speed of 30 rpm		

Cylinder	Diameter	Recommended pressure	Pressure range	Flow range	Lock valves
Standard	3 1/2 " (89 mm)	4300 psi (296 bars)	3600-5000 psi (248-345 bars)	10-14 gpm (38-53 l/min.)	no
Standard	4 " (102 mm)	3000 psi (207 bars)	2500-3500 psi (172-241 bars)	13-20 gpm (49-76 l/min.)	no

Grapple cylinder maximum flow will theoretically produce a complete grapple open/close cycle in 4 seconds.



Options:

-
-
-
-

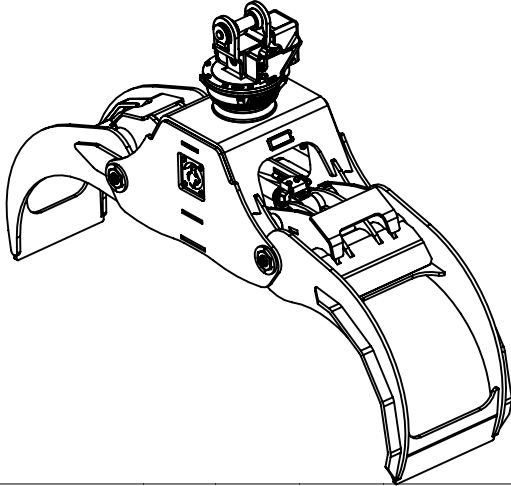
web site: www.rotobec.com

email: rotobec@rotobec.com

Rotobec Inc.: Head office serving OEM's and Eastern Canada Ph: (418) 383-3002 Fax: (418) 383-5334
Rotobec West: Branch serving Western Canada and Western USA Ph: (250) 765-1161 Fax: (250) 765-0035
Rotobec USA: Branch serving Eastern and Central USA Ph: (603) 444-2103 Fax: (603) 444-0327

We reserve the right to change specifications and to improve our products without notice or obligation.

07008-5846
20/08/18 R.G.

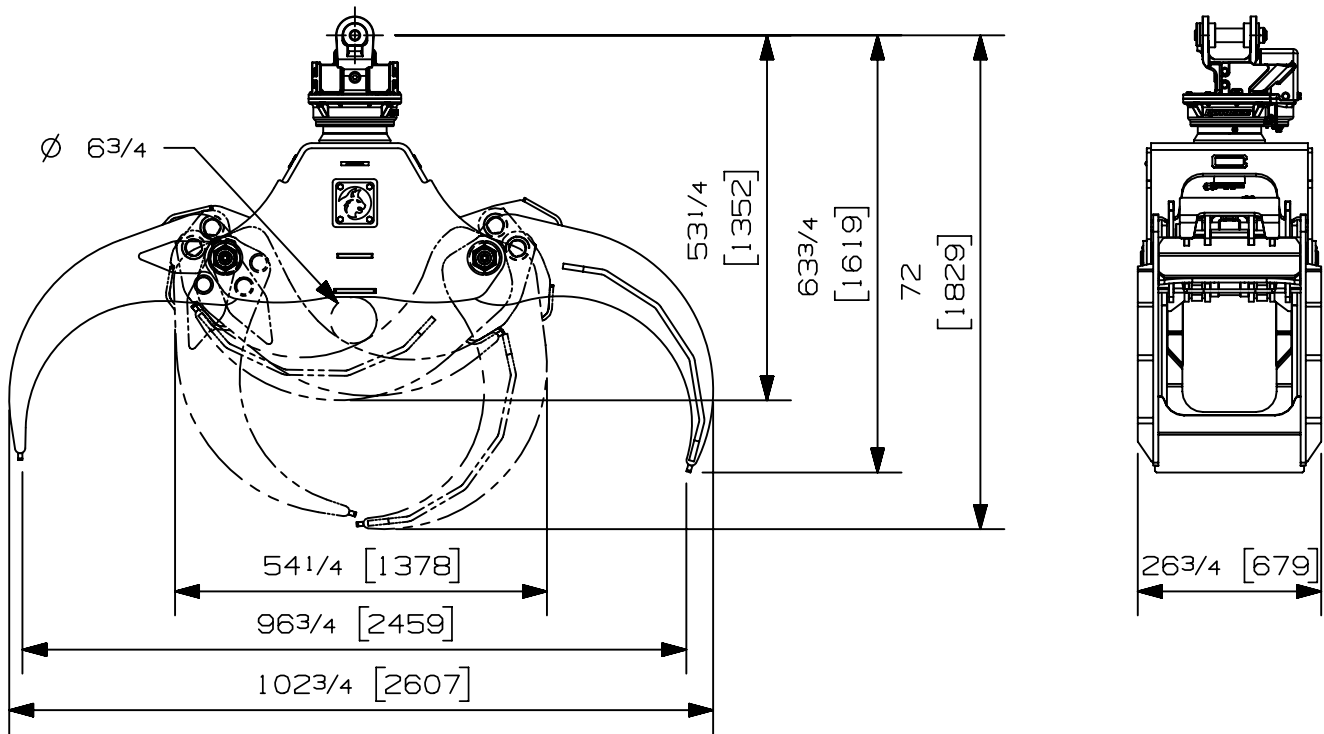


Max load:	- lb	- kg
Volume:	.43 cord of 8 ft	1.56 m ³
Area tip to tip:	6.88 ft ²	.64 m ²
Rotator lifting capacity:	32000 lb	14515 kg
Torque at relief pressure:	20160 lb-in	2278 Nm
	1810 psi	125 bars
Weight:	2115 lb	959 kg

Rotator	Maximum pressure: 5000 psi	345 bars	Recommended flow: 9 gpm	34 l/min
Rotator recommended flow will produce a maximum speed of 30 rpm				

Cylinder	Diameter	Recommended pressure	Pressure range	Flow range	Lock valves
Standard	4 " (102 mm)	4300 psi (296 bars)	3600 - 5000 psi (248-345 bars)	13 - 18 gpm (49-68 l/min.)	No

Grapple cylinder maximum flow will theoretically produce a complete grapple open/close cycle in 5 seconds.



Options:

-
-
-
-

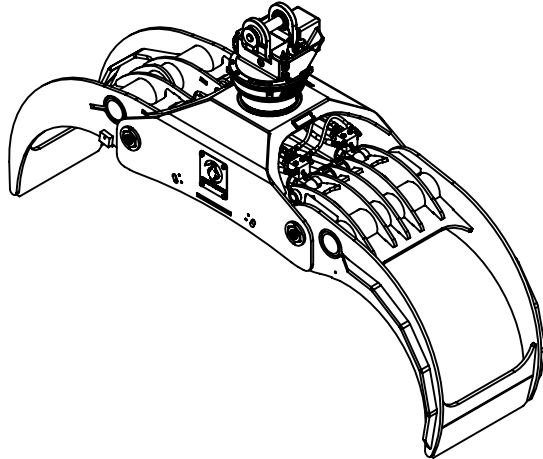
web site: www.rotobec.com

email: rotobec@rotobec.com

Rotobec Inc.: Head office serving OEM's and Eastern Canada Ph: (418) 383-3002 Fax: (418) 383-5334
 Rotobec West: Branch serving Western Canada and Western USA Ph: (250) 765-1161 Fax: (250) 765-0035
 Rotobec USA: Branch serving Eastern and Central USA Ph: (603) 444-2103 Fax: (603) 444-0327

We reserve the right to change specifications and to improve our products without notice or obligation.

07010-4976
05/01/2022 D.L.

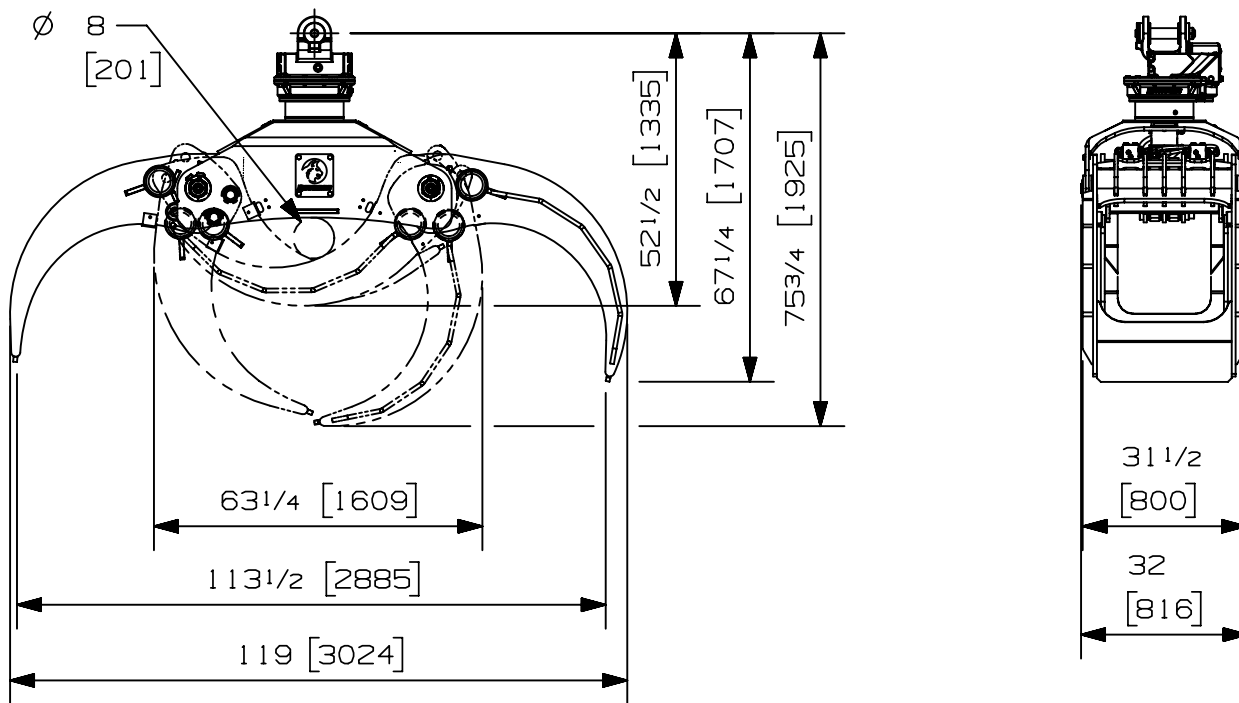


Max load:	- lb	- kg
Volume:	.54 cord of 8 ft	1.95 m ³
Area tip to tip:	8.61 ft ²	.80 m ²
Rotator lifting capacity:	- lb	- kg
Torque at relief pressure:	23260 lb-in	2628 Nm
	1810 psi	125 bars
Weight:	2745 lb	1245 kg

Rotator	Maximum pressure: 5000 psi 345 bars	Recommended flow: 9 gpm 34 l/min
Rotator recommended flow will produce a maximum speed of 25 rpm		

Cylinder	Diameter	Recommended pressure	Pressure range	Flow range	Lock valves
Standard	3 " (76 mm)	4300 psi (296 bars)	3600 - 5000 psi (248-345 bars)	19 - 26 gpm (72-98 l/min.)	No

Grapple cylinder maximum flow will theoretically produce a complete grapple open/close cycle in 5 seconds.



Options:

-Load Holding valves on cylinders. (5 lb / 2 kg)

-
-
-

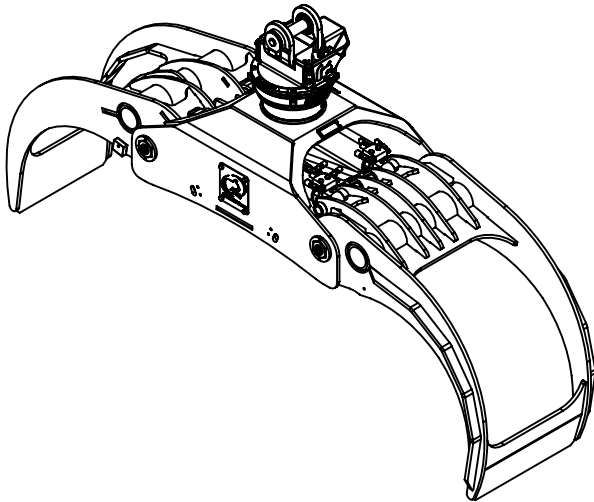
web site: www.rotobec.com

email: rotobec@rotobec.com

Rotobec Inc.: Head office serving OEM's and Eastern Canada Ph: (418) 383-3002 Fax: (418) 383-5334
Rotobec West: Branch serving Western Canada and Western USA Ph: (250) 765-1161 Fax: (250) 765-0035
Rotobec USA: Branch serving Eastern and Central USA Ph: (603) 444-2103 Fax: (603) 444-0327

We reserve the right to change specifications and to improve our products without notice or obligation.

07005-2244
09/01/2023 J-M.L.

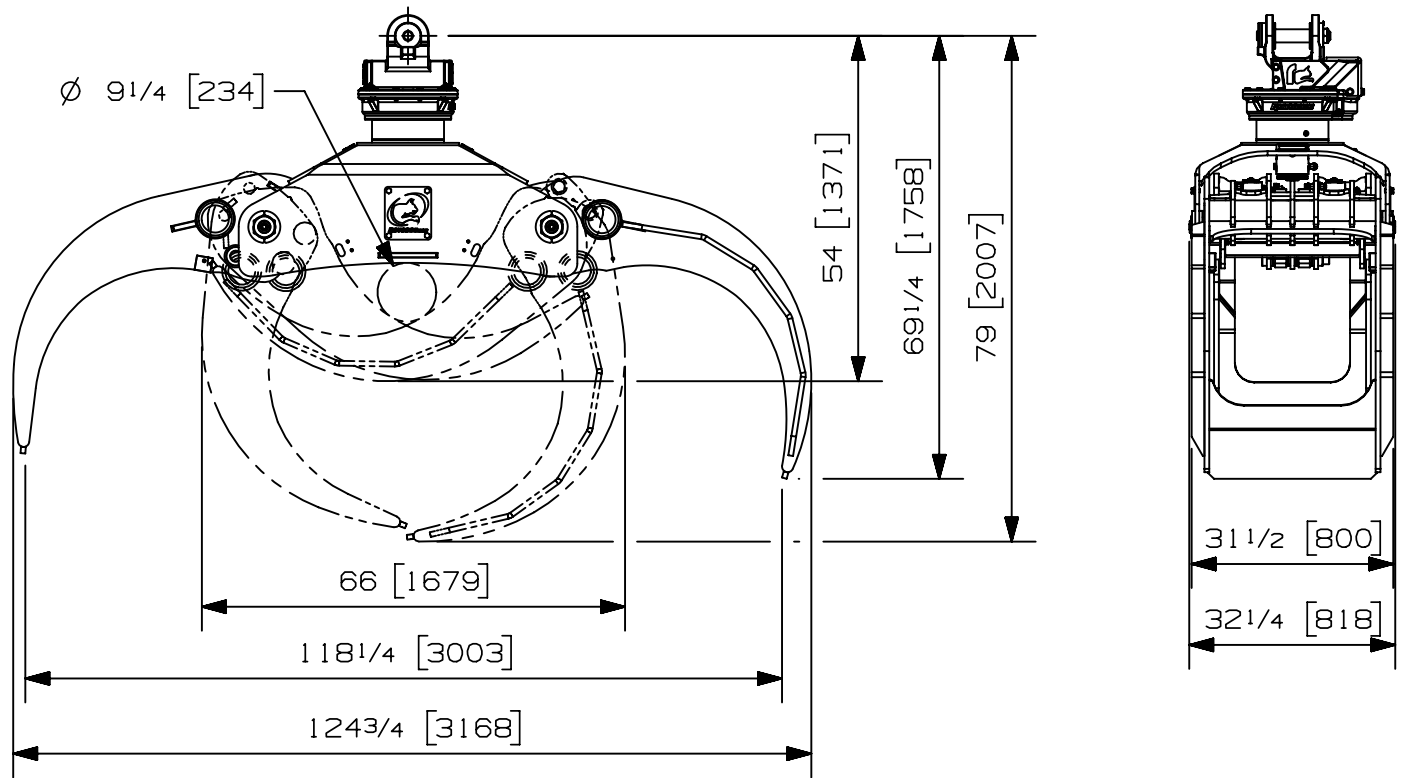


Max load:	- lb	- kg
Volume:	.67 cord of 8 ft	2.44 m ³
Area tip to tip:	10.76 ft ²	1.00 m ²
Rotator lifting capacity:	50000 lb	22680 kg
Torque at relief pressure:	23260 lb-in	2628 Nm
	1810 psi	125 bars
Weight:	2820 lb	1279 kg

Rotator	Maximum pressure: 5000 psi 345 bars	Recommended flow: 9 gpm 34 l/min
Rotator recommended flow will produce a maximum speed of 25 rpm		

Cylinder	Diameter	Recommended pressure	Pressure range	Flow range	Lock valves
Standard	3 " (76 mm)	4300 psi (296 bars)	3600 - 5000 psi (248-345 bars)	19 - 26 gpm (72-98 l/min.)	No

Grapple cylinder maximum flow will theoretically produce a complete grapple open/close cycle in 5 seconds.



Options:

- Load Holding valves on cylinders
-
-
-

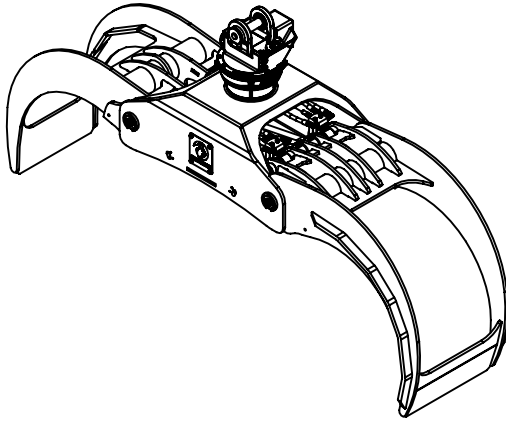
web site: www.rotobec.com

email: rotobec@rotobec.com

Rotobec Inc.: Head office serving OEM's and Eastern Canada Ph: (418) 383-3002 Fax: (418) 383-5334
Rotobec West: Branch serving Western Canada and Western USA Ph: (250) 765-1161 Fax: (250) 765-0035
Rotobec USA: Branch serving Eastern and Central USA Ph: (603) 444-2103 Fax: (603) 444-0327

We reserve the right to change specifications and to improve our products without notice or obligation.

07005-1410
 11/11/2019 D.L.

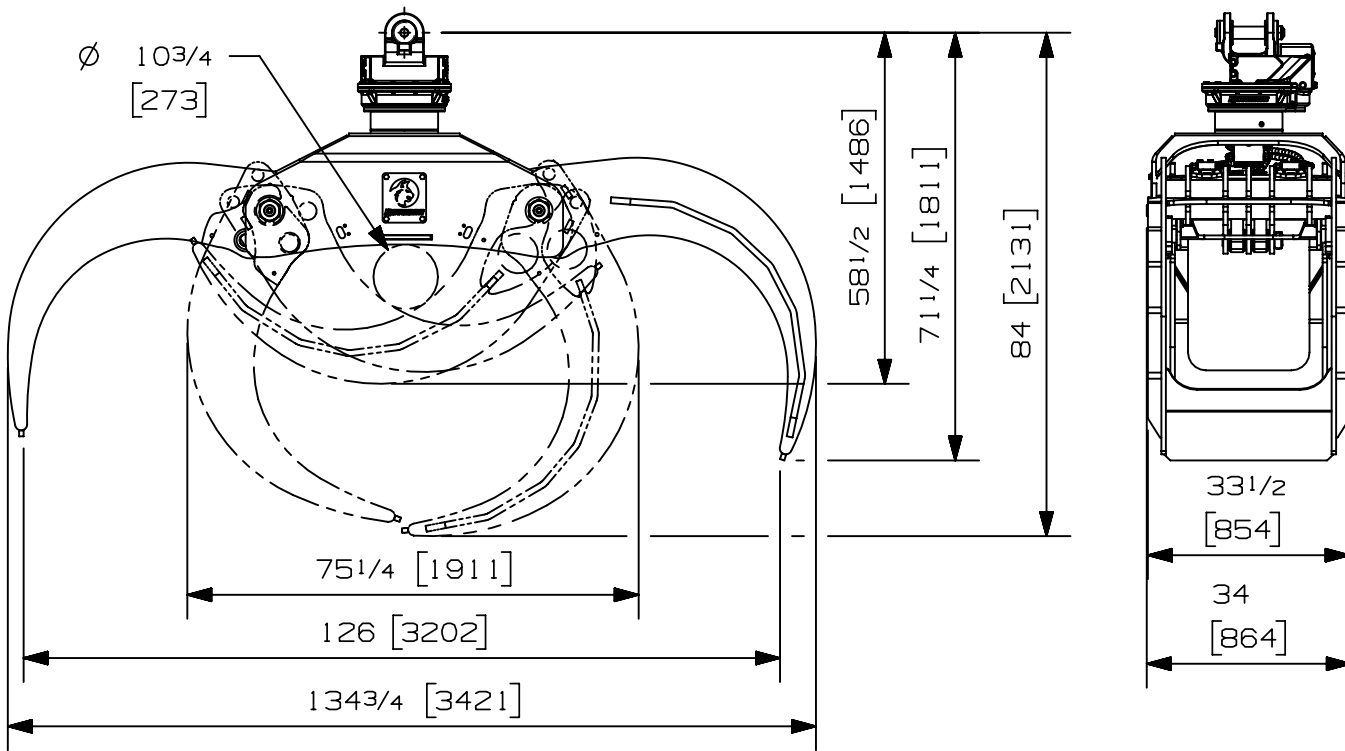


Max load:	- lb	- kg
Volume:	.84 cord of 8 ft	3.05 m ³
Area tip to tip:	13.45 ft ²	1.25 m ²
Rotator lifting capacity:	50000 lb	22680 kg
Torque at relief pressure:	23260 lb-in	2628 Nm
	1810 psi	125 bars
Weight:	3305 lb	1499 kg

Rotator	Maximum pressure: 5000 psi 345 bars	Recommended flow: 9 gpm 34 l/min
Rotator recommended flow will produce a maximum speed of 25 rpm		

Cylinder	Diameter	Recommended pressure	Pressure range	Flow range	Lock valves
Standard	3 1/2 " (89 mm)	4300 psi (296 bars)	3600 - 5000 psi (248-345 bars)	23 - 30 gpm (87-114 l/min.)	No

Grapple cylinder maximum flow will theoretically produce a complete grapple open/close cycle in 6 seconds.



Options:

- Load holding valve on cylinders
-
-
-

web site: www.rotobec.com

email: rotobec@rotobec.com

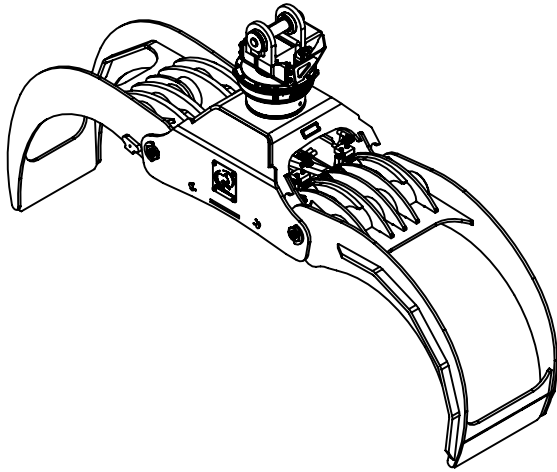
Rotobec Inc.: Head office serving OEM's and Eastern Canada Ph: (418) 383-3002 Fax: (418) 383-5334
Rotobec West: Branch serving Western Canada and Western USA Ph: (250) 765-1161 Fax: (250) 765-0035
Rotobec USA: Branch serving Eastern and Central USA Ph: (603) 444-2103 Fax: (603) 444-0327

We reserve the right to change specifications and to improve our products without notice or obligation.

07010-9405
30/08/21 **E.B.L.**

Bunching Grapple

F1500HD RT-1002-STDHT

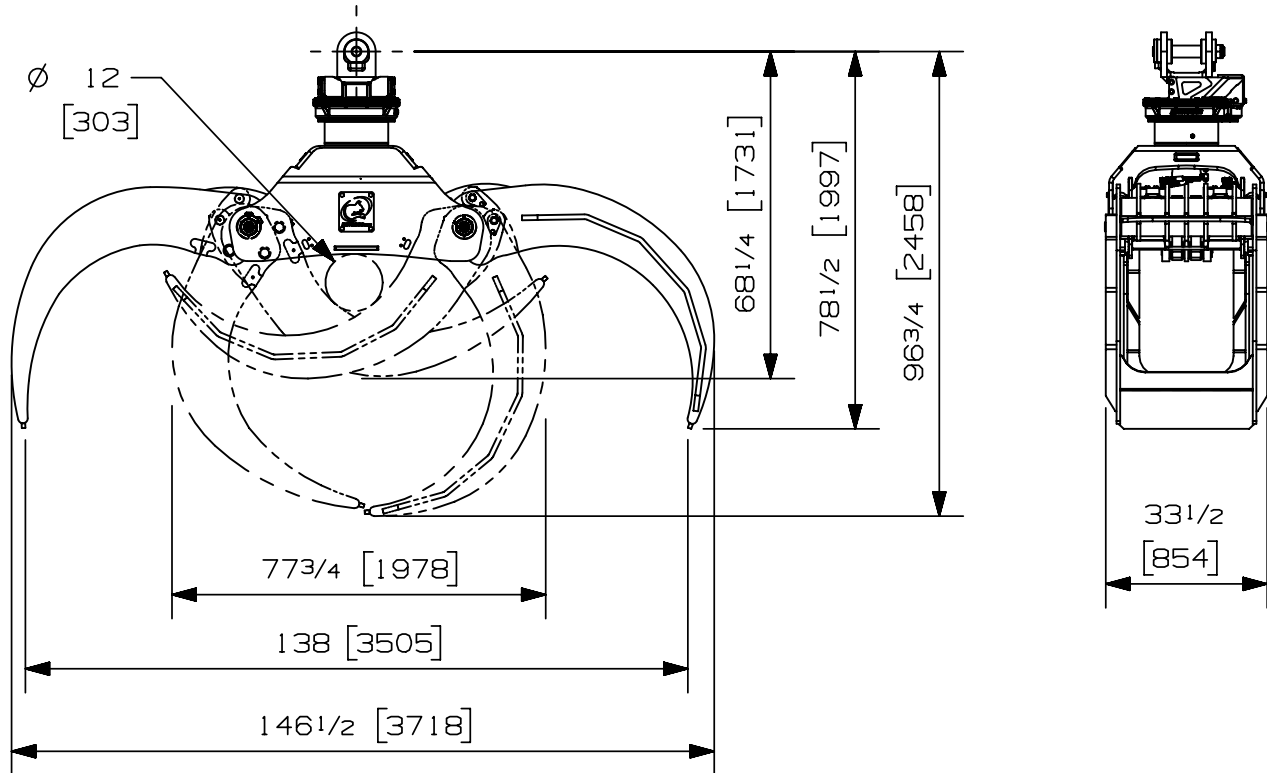


Max load:	n/a lb	n/a kg
Volume:	1.01 cord of 8ft.	3.66 m ³
Area tip to tip:	16.15 ft ²	1.50 m ²
Rotator lifting capacity:	100000 lb	45359 kg
Torque at relief pressure:	27910 lb-in	3153 Nm
	1810 psi	125 bars
Weight:	3990 lb	1810 kg

Rotator	Maximum pressure: 5000 psi 345 bars	Recommended flow: 8 gpm 30 l/min
Rotator recommended flow will produce a speed of 20 rpm		

Cylinder	Diameter	Recommended pressure	Pressure range	Flow range	Lock valves
Standard	3 1/2 " (89 mm)	4300 psi (296 bars)	3600-5000 psi (248-345 bars)	23-30 gpm (87-114 l/min.)	no

Grapple cylinder maximum flow will theoretically produce a complete grapple open/close cycle in 6 seconds.



Options:

-
-
-
-

web site: www.rotobec.com

email: rotobec@rotobec.com

Rotobec Inc.: Head office serving OEM's and Eastern Canada Ph: (418) 383-3002 Fax: (418) 383-5334
Rotobec West: Branch serving Western Canada and Western USA Ph: (250) 765-1161 Fax: (250) 765-0035
Rotobec USA: Branch serving Eastern and Central USA Ph: (603) 444-2103 Fax: (603) 444-0327

We reserve the right to change specifications and to improve our products without notice or obligation.

07008-6630
26/09/18 D.L.