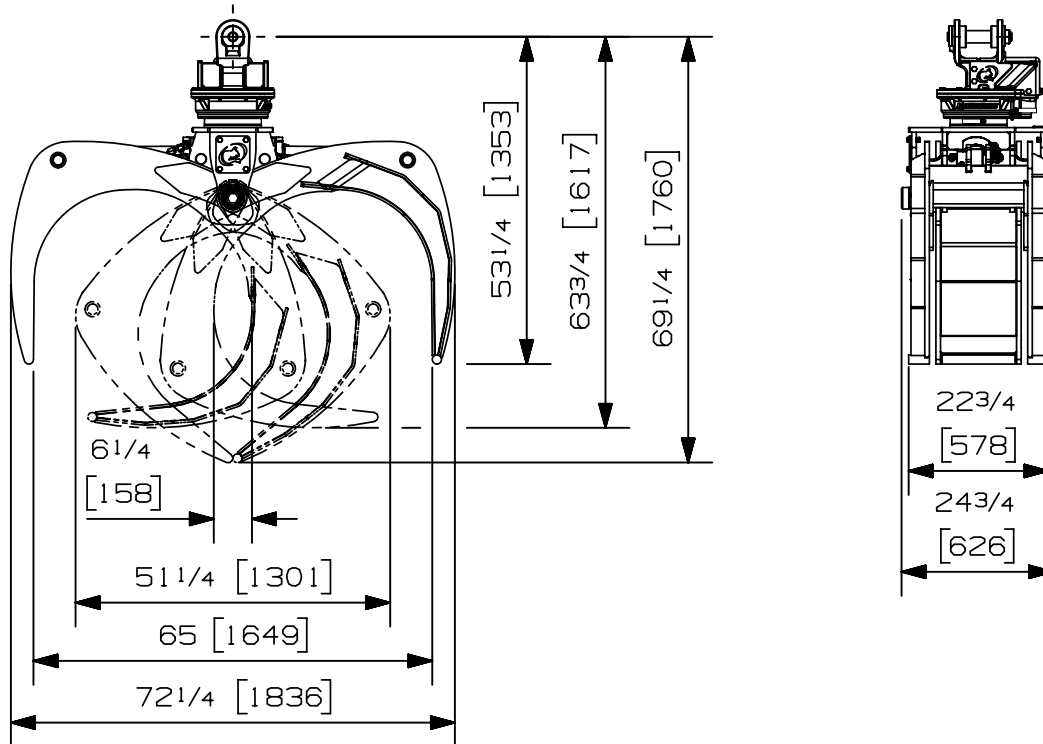


Max load:	n/a lb	n/a kg
Volume:	.34 cord of 8 ft	1.22 m ³
Area tip to tip:	5.40 ft ²	.50 m ²
Rotator lifting capacity:	25000 lb	11340 kg
Torque at relief pressure:	16150 lb-in	1825 Nm
	1450 psi	100 bars
Weight:	1350 lb	612 kg

Rotator	Maximum pressure: 5000 psi 345 bars	Recommended flow: 9 gpm 34 l/min
Rotator recommended flow will produce a maximum speed of 30 rpm		

Cylinder	Diameter	Recommended pressure	Pressure range	Flow range	Lock valves
Standard	3 " (76 mm)	4300 psi (296 bars)	3600-5000 psi (248-345 bars)	11-17 gpm (42-64 l/min.)	no
Standard	3 1/2 " (89 mm)	3000 psi (207 bars)	2500-3500 psi (172-241 bars)	16-25 gpm (61-95 l/min.)	no

Grapple cylinder maximum flow will theoretically produce a complete grapple open/close cycle in 4 seconds.



Options:

- Leveling plate (N/A)
- Load holding valve on cylinders (7 lbs / 3 kg)
-
-

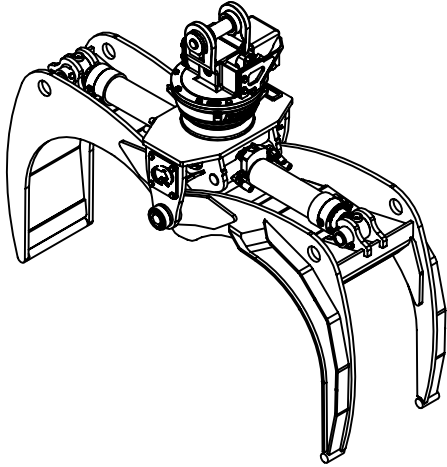
web site: www.rotobec.com

email: rotobec@rotobec.com

Rotobec Inc.: Head office serving OEM's and Eastern Canada Ph: (418) 383-3002 Fax: (418) 383-5334
Rotobec West: Branch serving Western Canada and Western USA Ph: (250) 765-1161 Fax: (250) 765-0035
Rotobec USA: Branch serving Eastern and Central USA Ph: (603) 444-2103 Fax: (603) 444-0327

We reserve the right to change specifications and to improve our products without notice or obligation.

07006-7151
15/08/18 D.L.

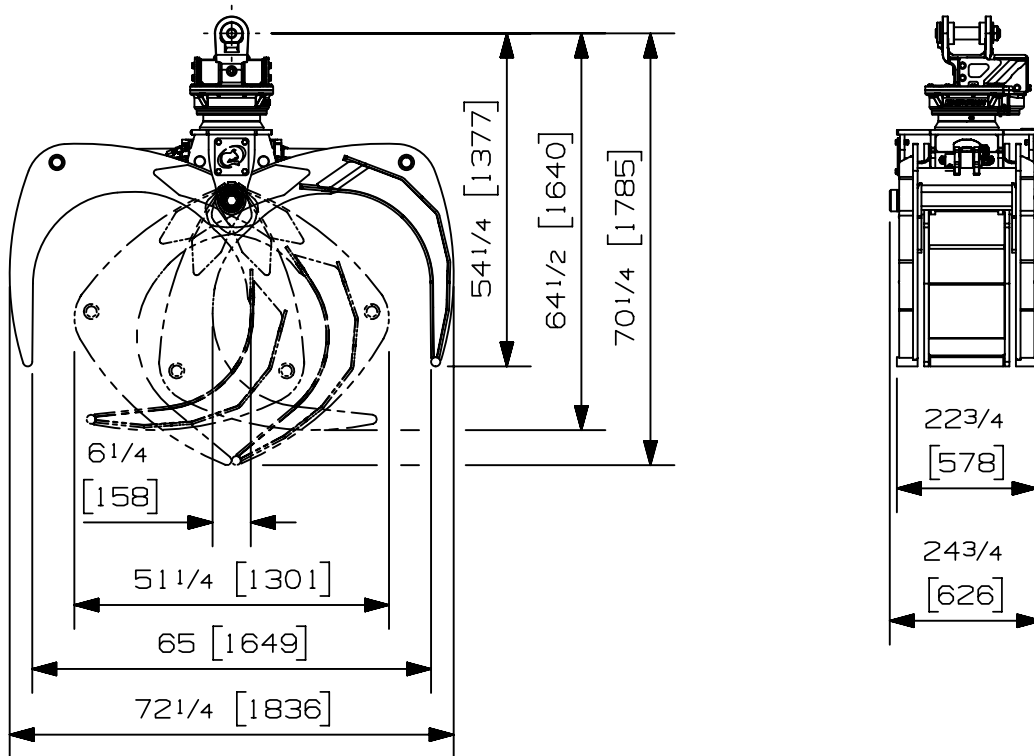


Max load:	n/a lb	n/a kg
Volume:	.34 cord of 8 ft	1.23 m ³
Area tip to tip:	5.40 ft ²	.50 m ²
Rotator lifting capacity:	32000 lb	14515 kg
Torque at relief pressure:	20160 lb-in	2278 Nm
	1810 psi	125 bars
Weight:	1395 lb	633 kg

Rotator	Maximum pressure: 5000 psi 345 bars	Recommended flow: 9 gpm 34 l/min
Rotator recommended flow will produce a maximum speed of 30 rpm		

Cylinder	Diameter	Recommended pressure	Pressure range	Flow range	Lock valves
Standard	3 " (76 mm)	4300 psi (296 bars)	3600-5000 psi (248-345 bars)	11-17 gpm (42-64 l/min.)	no
Standard	3 1/2 " (89 mm)	3000 psi (207 bars)	2500-3500 psi (172-241 bars)	16-25 gpm (61-95 l/min.)	no

Grapple cylinder maximum flow will theoretically produce a complete grapple open/close cycle in 4 seconds.



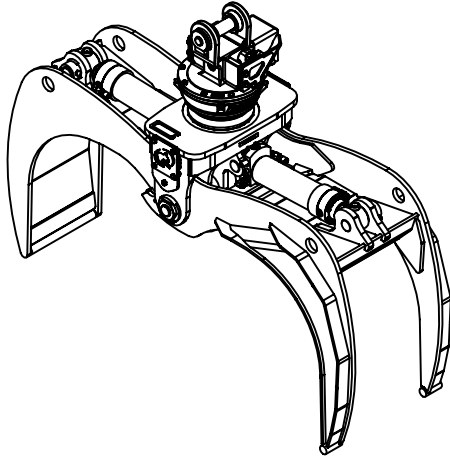
Options:

- Leveling plate (N/A)
- Load holding valve on cylinders (7 lbs / 3 kg)
-
-

web site: www.rotobec.com

email: rotobec@rotobec.com

Rotobec Inc.: Head office serving OEM's and Eastern Canada Ph: (418) 383-3002 Fax: (418) 383-5334
Rotobec West: Branch serving Western Canada and Western USA Ph: (250) 765-1161 Fax: (250) 765-0035
Rotobec USA: Branch serving Eastern and Central USA Ph: (603) 444-2103 Fax: (603) 444-0327

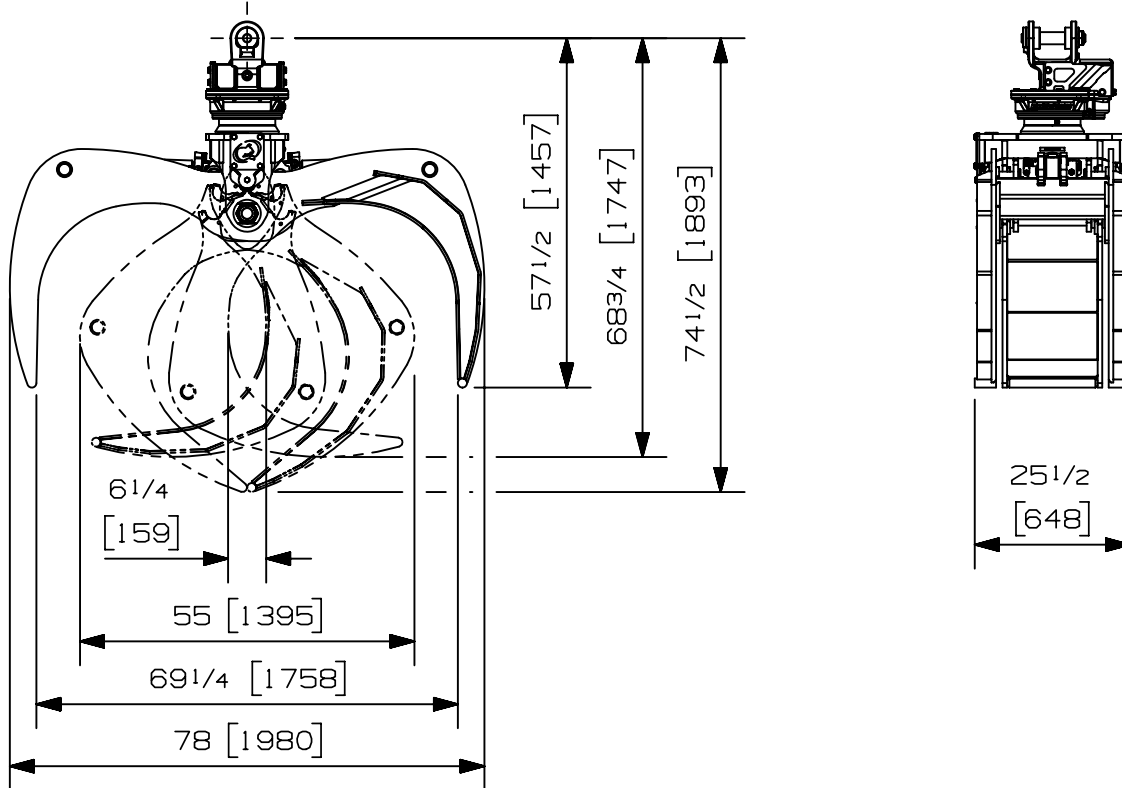


Max load:	n/a lb	n/a kg
Volume:	.40 cord of 8ft.	1.45 m ³
Area tip to tip:	6.45 ft ²	.60 m ²
Rotator lifting capacity:	32000 lb	14515 kg
Torque at relief pressure:	20160 lb-in 1810 psi	2278 Nm 125 bars
Weight:	1800 lb	816 kg

Rotator	Maximum pressure: 5000 psi 345 bars	Recommended flow: 9 gpm 34 l/min
Rotator recommended flow will produce a speed of 30 rpm		

Cylinder	Diameter	Recommended pressure	Pressure range	Flow range	Lock valves
Standard	3 1/2 " (89 mm)	4250 psi (293 bars)	3500-5000 psi (241-345 bars)	16-24 gpm (61-91 l/min.)	no

Grapple cylinder maximum flow will theoretically produce a complete grapple open/close cycle in 4 seconds.



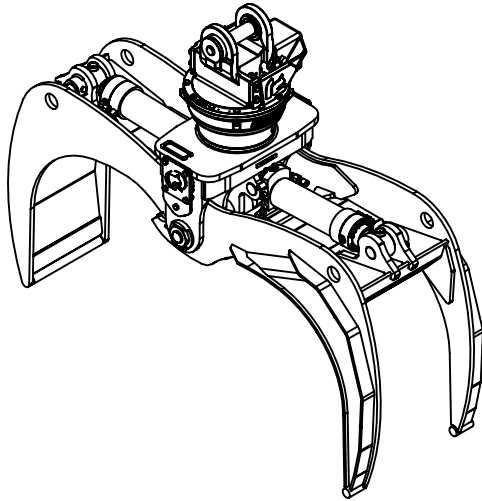
Options:

- Leveling plate (100 lbs / 45 kg)
- Load holding valve on cylinders (9 lbs / 4 kg)
-
-

web site: www.rotobec.com

email: rotobec@rotobec.com

Rotobec Inc.: Head office serving OEM's and Eastern Canada Ph: (418) 383-3002 Fax: (418) 383-5334
Rotobec West: Branch serving Western Canada and Western USA Ph: (250) 765-1161 Fax: (250) 765-0035
Rotobec USA: Branch serving Eastern and Central USA Ph: (603) 444-2103 Fax: (603) 444-0327

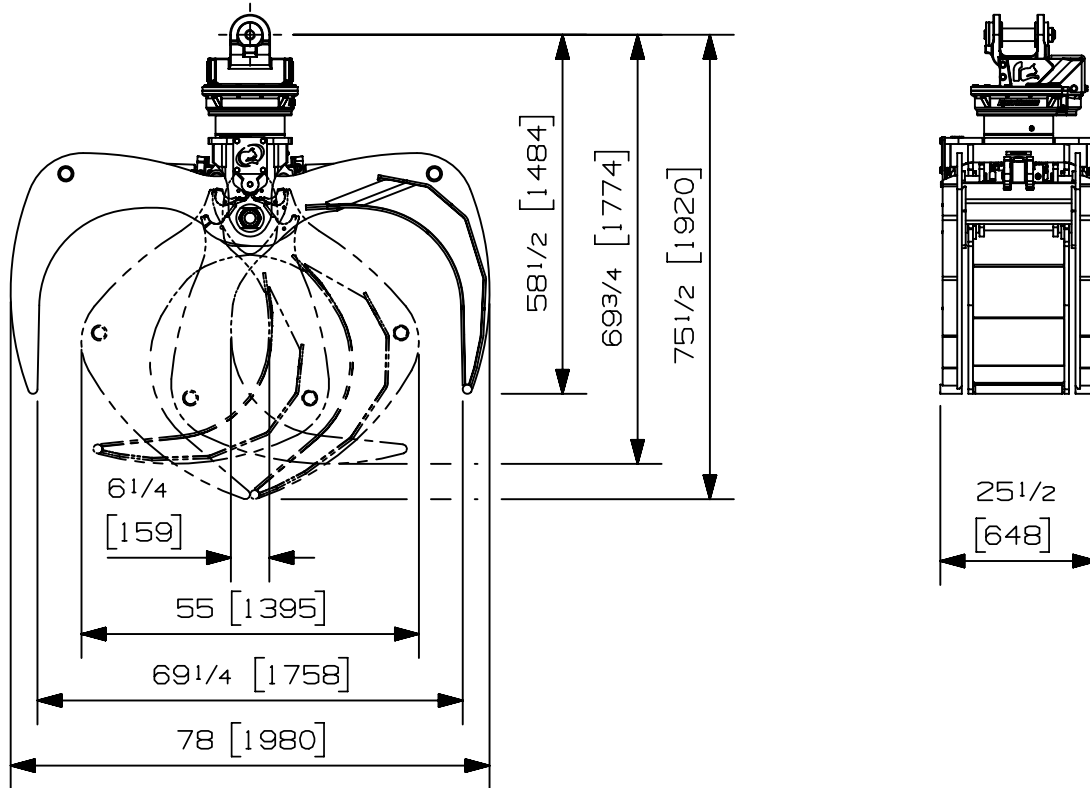


Max load:	n/a lb	n/a kg
Volume:	.40 cord of 8 ft	1.45 m ³
Area tip to tip:	6.45 ft ²	.60 m ²
Rotator lifting capacity:	50000 lb	22680 kg
Torque at relief pressure:	23260 lb-in	2628 Nm
	1810 psi	125 bars
Weight:	1940 lb	880 kg

Rotator	Maximum pressure: 5000 psi 345 bars	Recommended flow: 9 gpm 34 l/min
Rotator recommended flow will produce a maximum speed of 25 rpm		

Cylinder	Diameter	Recommended pressure	Pressure range	Flow range	Lock valves
Standard	3 1/2 " (89 mm)	4250 psi (293 bars)	3500-5000 psi (241-345 bars)	16-24 gpm (61-91 l/min.)	no

Grapple cylinder maximum flow will theoretically produce a complete grapple open/close cycle in 4 seconds.



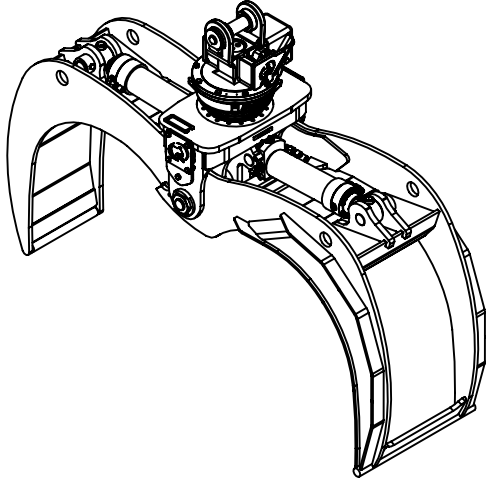
Options:

- Leveling plate (100 lbs / 45 kg)
- Load holding valve on cylinders (9 lbs / 4 kg)
-
-

web site: www.rotobec.com

email: rotobec@rotobec.com

Rotobec Inc.: Head office serving OEM's and Eastern Canada Ph: (418) 383-3002 Fax: (418) 383-5334
Rotobec West: Branch serving Western Canada and Western USA Ph: (250) 765-1161 Fax: (250) 765-0035
Rotobec USA: Branch serving Eastern and Central USA Ph: (603) 444-2103 Fax: (603) 444-0327

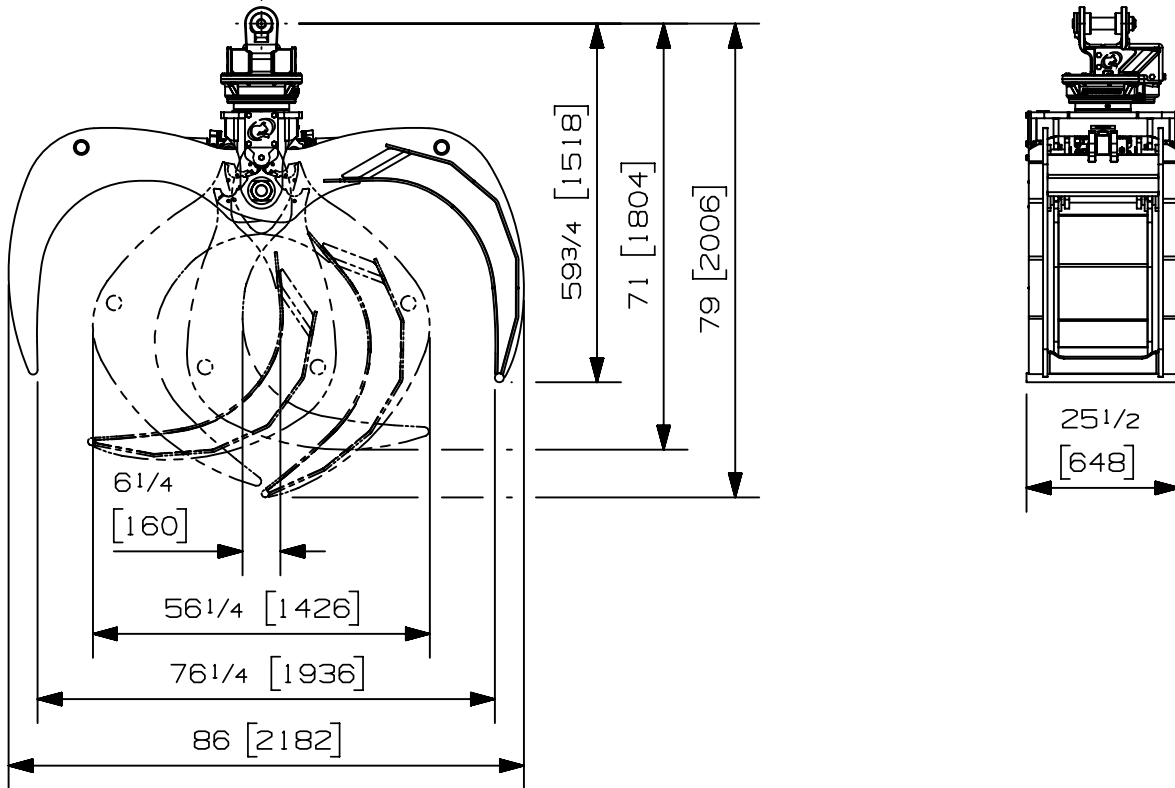


Max load:	n/a lb	n/a kg
Volume:	.46 cord of 8 ft	1.67 m ³
Area tip to tip:	7.50 ft ²	.70 m ²
Rotator lifting capacity:	25000 lb	11340 kg
Torque at relief pressure:	16150 lb-in 1450 psi	1825 Nm 100 bars
Weight:	1855 lb	841 kg

Rotator	Maximum pressure: 5000 psi 345 bars	Recommended flow: 9 gpm 34 l/min
Rotator recommended flow will produce a maximum speed of 30 rpm		

Cylinder	Diameter	Recommended pressure	Pressure range	Flow range	Lock valves
Standard	3 1/2 " (89 mm)	4250 psi (293 bars)	3500-5000 psi (241-345 bars)	16-24 gpm (61-91 l/min.)	no

Grapple cylinder maximum flow will theoretically produce a complete grapple open/close cycle in 4 seconds.



Options:

- Leveling plate (100 lbs / 45 kg)
- Load holding valve on cylinders (9 lbs / 4 kg)
-
-

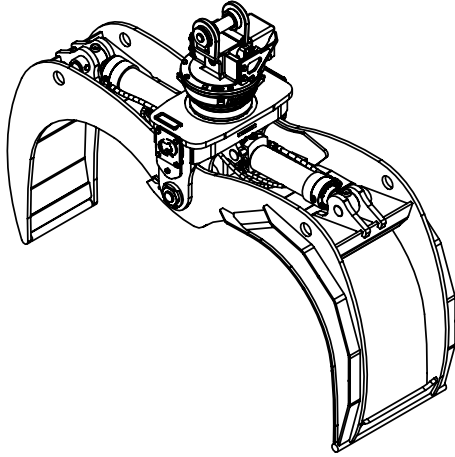
web site: www.rotobec.com

email: rotobec@rotobec.com

Rotobec Inc.: Head office serving OEM's and Eastern Canada Ph: (418) 383-3002 Fax: (418) 383-5334
Rotobec West: Branch serving Western Canada and Western USA Ph: (250) 765-1161 Fax: (250) 765-0035
Rotobec USA: Branch serving Eastern and Central USA Ph: (603) 444-2103 Fax: (603) 444-0327

We reserve the right to change specifications and to improve our products without notice or obligation.

07003-7870
07/09/18 D.L.

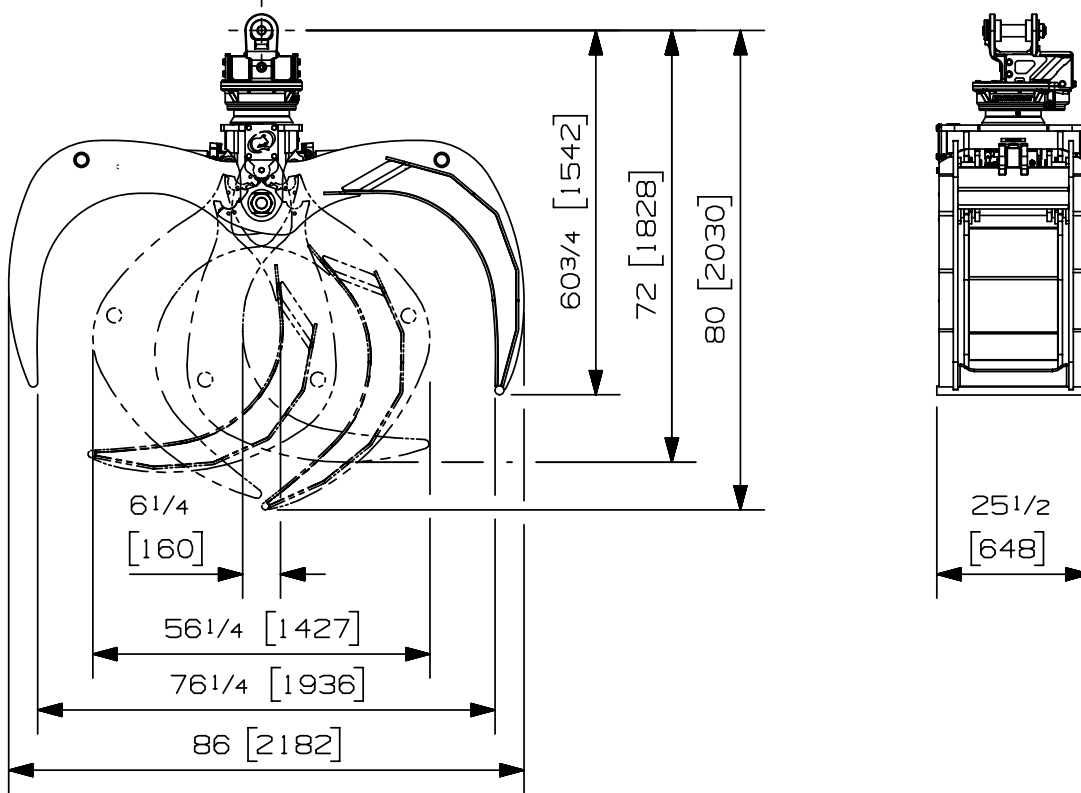


Max load:	n/a lb	n/a kg
Volume:	.46 cord 8 ft	1.67 m ³
Area tip to tip:	7.50 ft ²	.70 m ²
Rotator lifting capacity:	32000 lb	14515 kg
Torque at relief pressure:	20160 lb-in 1810 psi	2278 Nm 125 bars
Weight:	1895 lb	860 kg

Rotator	Maximum pressure: 5000 psi 345 bars	Recommended flow: 9 gpm 34 l/min
Rotator recommended flow will produce a speed of 30 rpm		

Cylinder	Diameter	Recommended pressure	Pressure range	Flow range	Lock valves
Standard	3 1/2 " (89 mm)	4250 psi (293 bars)	3500-5000 psi (241-345 bars)	16-24 gpm (61-91 l/min.)	no

Grapple cylinder maximum flow will theoretically produce a complete grapple open/close cycle in 4 seconds.



Options:

- Leveling plate. (100 lb / 45 kg)
- Load holding valve on cylinders (9 lbs / 4 kg)

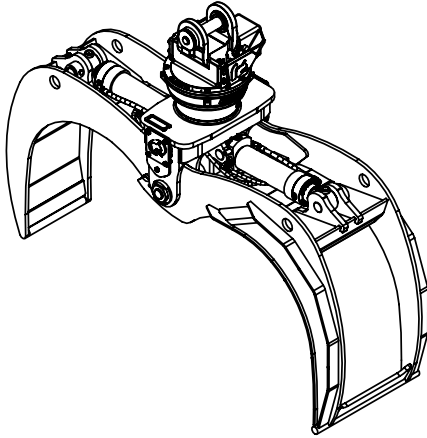
web site: www.rotobec.com

email: rotobec@rotobec.com

Rotobec Inc.: Head office serving OEM's and Eastern Canada Ph: (418) 383-3002 Fax: (418) 383-5334
 Rotobec West: Branch serving Western Canada and Western USA Ph: (250) 765-1161 Fax: (250) 765-0035
 Rotobec USA: Branch serving Eastern and Central USA Ph: (603) 444-2103 Fax: (603) 444-0327

We reserve the right to change specifications and to improve our products without notice or obligation.

07004-3415
07/09/18 D.L.

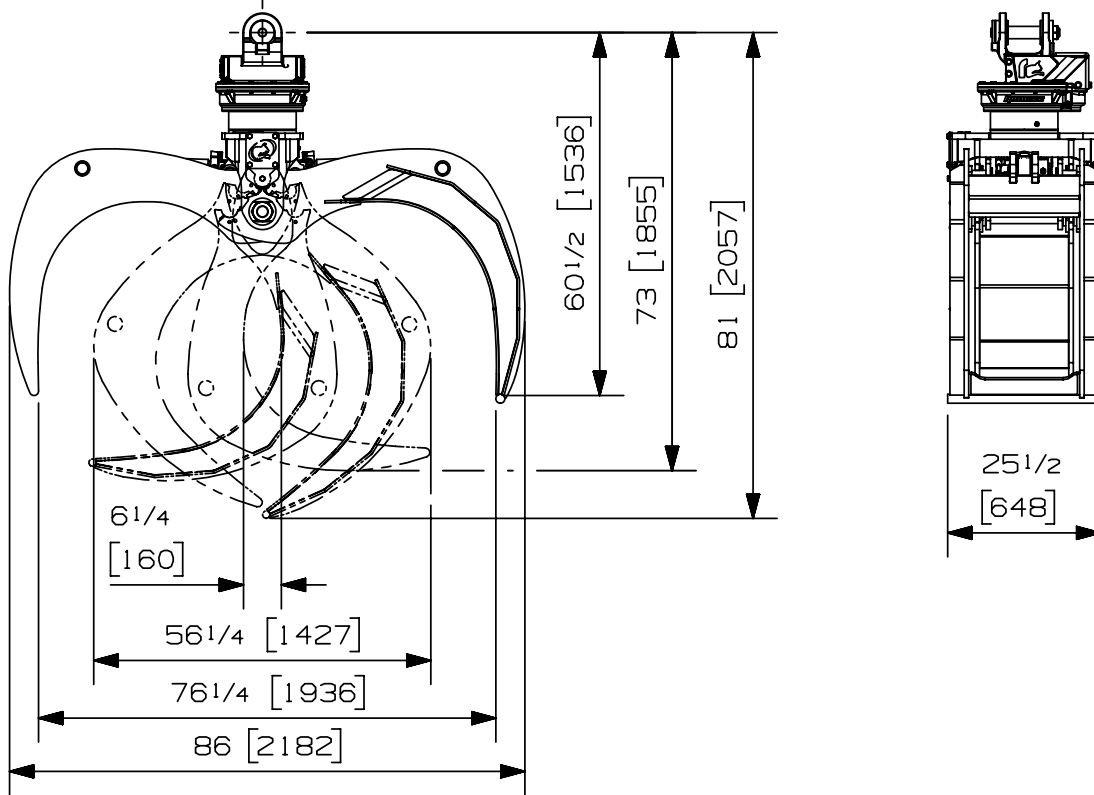


Max load:	n/a lb	n/a kg
Volume:	.46 cord of 8 ft	1.67 m ³
Area tip to tip:	7.50 ft ²	.70 m ²
Rotator lifting capacity:	50000 lb	22680 kg
Torque at relief pressure:	23260 lb-in	2628 Nm
	1810 psi	125 bars
Weight:	2040 lb	925 kg

Rotator	Maximum pressure: 5000 psi 345 bars	Recommended flow: 9 gpm 34 l/min
Rotator recommended flow will produce a maximum speed of 25 rpm		

Cylinder	Diameter	Recommended pressure	Pressure range	Flow range	Lock valves
Standard	3 1/2 " (89 mm)	4250 psi (293 bars)	3500-5000 psi (241-345 bars)	16-24 gpm (61-91 l/min.)	no

Grapple cylinder maximum flow will theoretically produce a complete grapple open/close cycle in 4 seconds.



Options:

- Leveling plate (100 lbs / 45 kg)
- Load holding valve on cylinders (9 lbs / 4 kg)
-
-

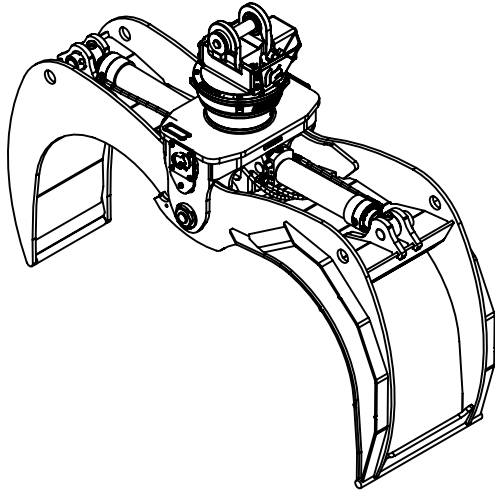
web site: www.rotobec.com

email: rotobec@rotobec.com

Rotobec Inc.: Head office serving OEM's and Eastern Canada Ph: (418) 383-3002 Fax: (418) 383-5334
Rotobec West: Branch serving Western Canada and Western USA Ph: (250) 765-1161 Fax: (250) 765-0035
Rotobec USA: Branch serving Eastern and Central USA Ph: (603) 444-2103 Fax: (603) 444-0327

We reserve the right to change specifications and to improve our products without notice or obligation.

07006-3016
07/09/18 D.L.

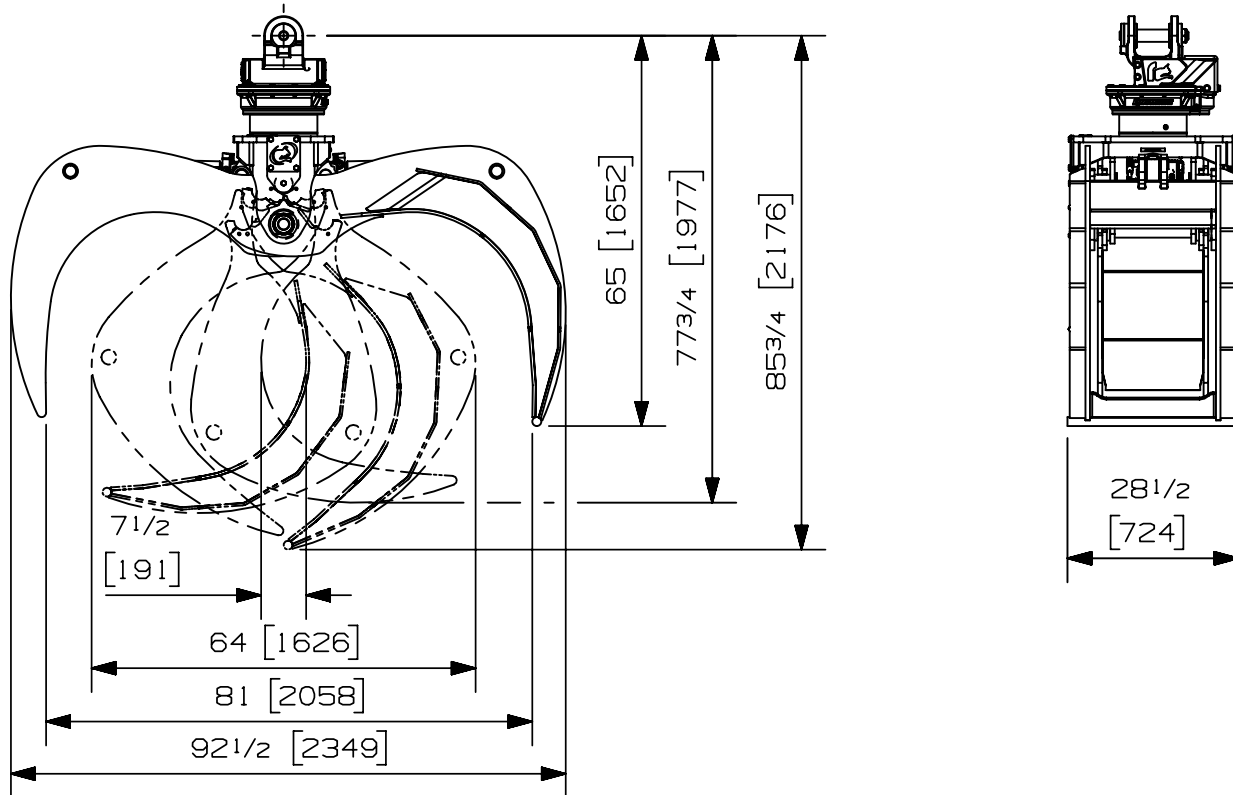


Max load:	n/a lb	n/a kg
Volume:	.54 cord 8 ft	1.96 m ³
Area tip to tip:	8.61 ft ²	.80 m ²
Rotator lifting capacity:	50000 lb	22680 kg
Torque at relief pressure:	23260 lb-in	2628 Nm
	1810 psi	125 bars
Weight:	2555 lb	1159 kg

Rotator	Maximum pressure: 5000 psi 345 bars	Recommended flow: 9 gpm 34 l/min
Rotator recommended flow will produce a speed of 25 rpm		

Cylinder	Diameter	Recommended pressure	Pressure range	Flow range	Lock valves
Standard	3 1/2 " (89 mm)	4250 psi (293 bars)	3500-5000 psi (241-345 bars)	21-31 gpm (79-117 l/min.)	no

Grapple cylinder maximum flow will theoretically produce a complete grapple open/close cycle in 4 seconds.



Options:

- Leveling plate (120 lbs / 54 kg)
- Load holding valve on cylinders (9 lbs / 4 kg)
-
-

web site: www.rotobec.com

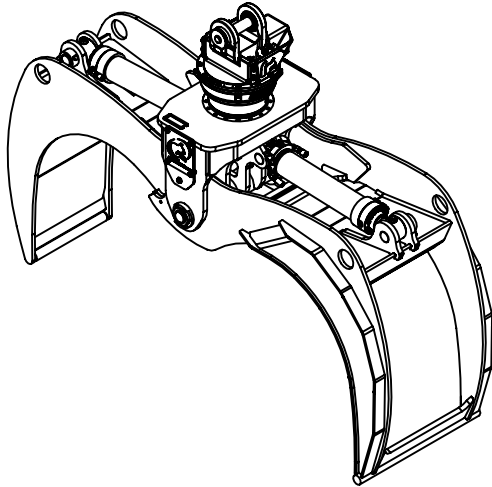
email: rotobec@rotobec.com

Rotobec Inc.: Head office serving OEM's and Eastern Canada Ph: (418) 383-3002 Fax: (418) 383-5334
Rotobec West: Branch serving Western Canada and Western USA Ph: (250) 765-1161 Fax: (250) 765-0035
Rotobec USA: Branch serving Eastern and Central USA Ph: (603) 444-2103 Fax: (603) 444-0327

We reserve the right to change specifications and to improve our products without notice or obligation.

07006-3004
14/09/18 D.L.

Combination Grapple 100CHD RT-502-STDHT

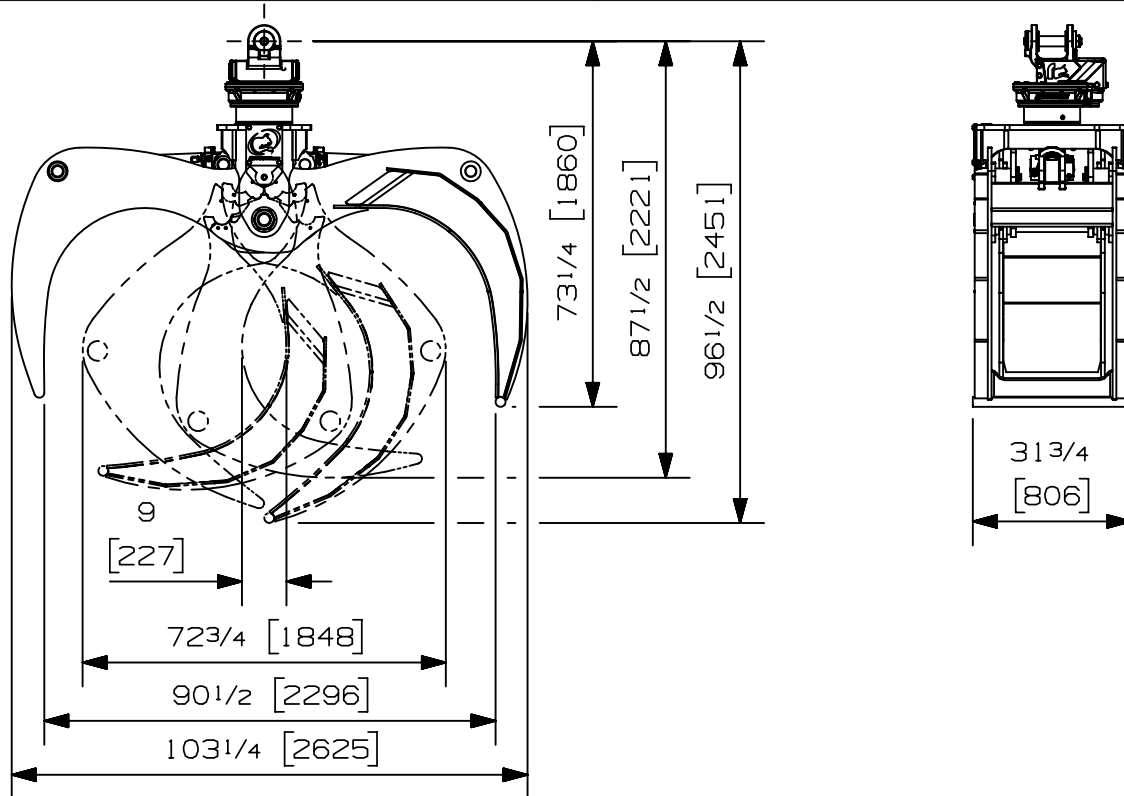


Max load:	n/a lb	n/a kg
Volume:	.67 cord of 8 ft	2.43 m ³
Area tip to tip:	10.76 ft ²	1.00 m ²
Rotator lifting capacity:	50000 lb	22680 kg
Torque at relief pressure:	23260 lb-in	2628 Nm
	1810 psi	125 bars
Weight:	3490 lb	1583 kg

Rotator	Maximum pressure: 5000 psi 345 bars	Recommended flow: 9 gpm 34 l/min
Rotator recommended flow will produce a maximum speed of 25 rpm		

Cylinder	Diameter	Recommended pressure	Pressure range	Flow range	Lock valves
Standard	4 " (102 mm)	4250 psi (293 bars)	3500-5000 psi (241-345 bars)	30-42 gpm (114-159 l/min.)	no

Grapple cylinder maximum flow will theoretically produce a complete grapple open/close cycle in 5 seconds.



Options:

- Leveling plate (145 lbs / 66 kg)
- Load holding valve on cylinders (10 lbs / 5 kg)
-
-

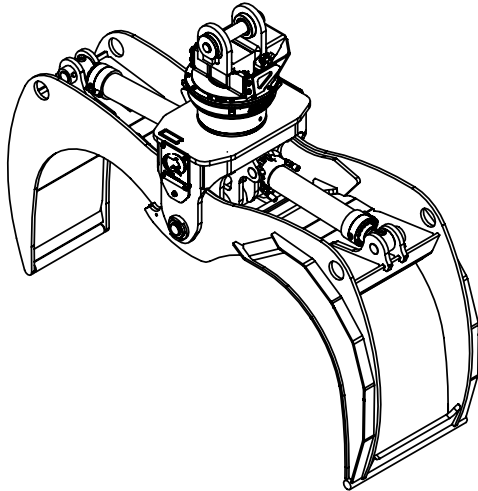
web site: www.rotobec.com

email: rotobec@rotobec.com

Rotobec Inc.: Head office serving OEM's and Eastern Canada Ph: (418) 383-3002 Fax: (418) 383-5334
Rotobec West: Branch serving Western Canada and Western USA Ph: (250) 765-1161 Fax: (250) 765-0035
Rotobec USA: Branch serving Eastern and Central USA Ph: (603) 444-2103 Fax: (603) 444-0327

We reserve the right to change specifications and to improve our products without notice or obligation.

07006-3037
01/10/18 D.L.

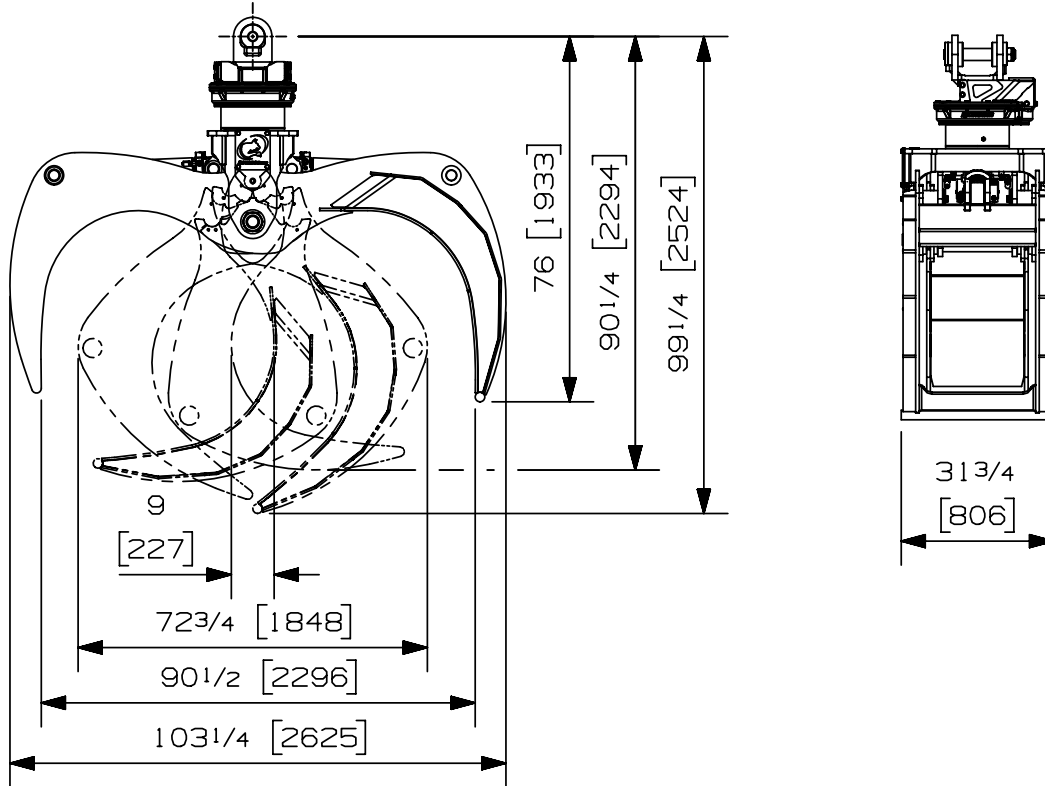


Max load:	n/a lb	n/a kg
Volume:	.67 cord 8 ft	2.43 m ³
Area tip to tip:	10.76 ft ²	1.00 m ²
Rotator lifting capacity:	100000 lb	45359 kg
Torque at relief pressure:	27910 lb-in	3153 Nm
	1810 psi	125 bars
Weight:	3690 lb	1674 kg

Rotator	Maximum pressure: 5000 psi 345 bars	Recommended flow: 8 gpm 30 l/min
Rotator recommended flow will produce a speed of 20 rpm		

Cylinder	Diameter	Recommended pressure	Pressure range	Flow range	Lock valves
Standard	4 " (102 mm)	4250 psi (293 bars)	3500-5000 psi (241-345 bars)	30-42 gpm (114-159 l/min.)	no

Grapple cylinder maximum flow will theoretically produce a complete grapple open/close cycle in 5 seconds.



Options:

- Leveling plate (145 lbs / 66 kg)
- Load holding valve on cylinders (10 lbs / 5 kg)
-
-

web site: www.rotobec.com

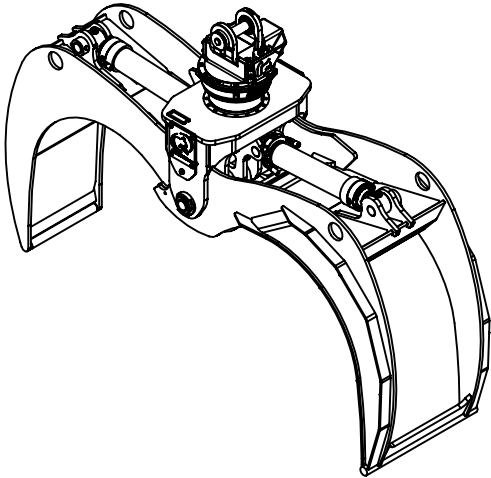
email: rotobec@rotobec.com

Rotobec Inc.: Head office serving OEM's and Eastern Canada Ph: (418) 383-3002 Fax: (418) 383-5334
Rotobec West: Branch serving Western Canada and Western USA Ph: (250) 765-1161 Fax: (250) 765-0035
Rotobec USA: Branch serving Eastern and Central USA Ph: (603) 444-2103 Fax: (603) 444-0327

We reserve the right to change specifications and to improve our products without notice or obligation.

07006-4070
01/10/18 D.L.

Combination Grapple 125CHD RT-502-STDHT

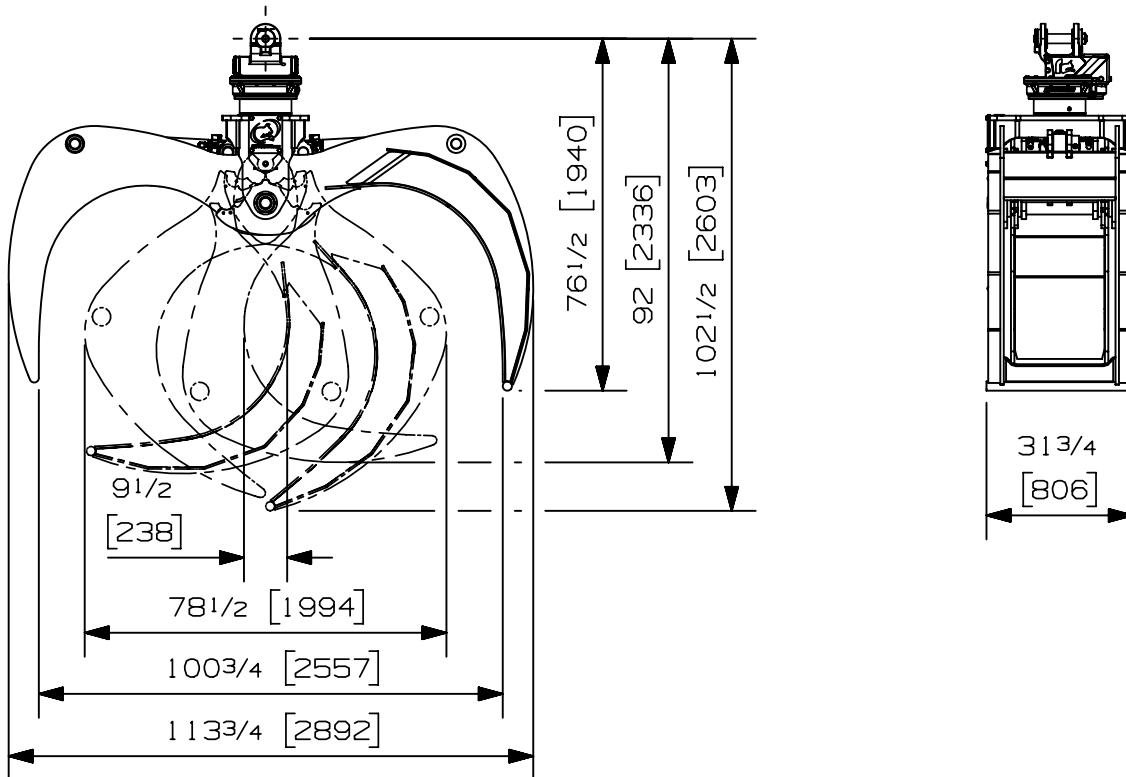


Max load:	n/a lb	n/a kg
Volume:	.84 cord of 8 ft	3.04 m ³
Area tip to tip:	13.45 ft ²	1.25 m ²
Rotator lifting capacity:	50000 lb	22680 kg
Torque at relief pressure:	23260 lb-in	2628 Nm
	1810 psi	125 bars
Weight:	3735 lb	1694 kg

Rotator	Maximum pressure: 5000 psi 345 bars	Recommended flow: 9 gpm 34 l/min
Rotator recommended flow will produce a maximum speed of 25 rpm		

Cylinder	Diameter	Recommended pressure	Pressure range	Flow range	Lock valves
Standard	4 " (102 mm)	4250 psi (293 bars)	3500-5000 psi (241-345 bars)	30-42 gpm (114-159 l/min.)	no

Grapple cylinder maximum flow will theoretically produce a complete grapple open/close cycle in 5 seconds.



Options:

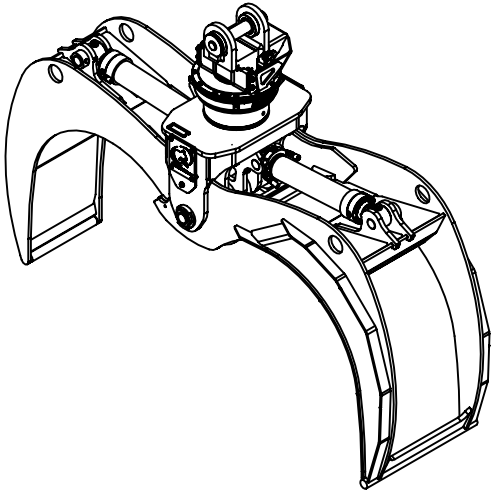
- Leveling plate (145 lbs / 66 kg)
- Load holding valve on cylinders (10 lbs / 5 kg)
-
-

web site: www.rotobec.com

email: rotobec@rotobec.com

Rotobec Inc.: Head office serving OEM's and Eastern Canada Ph: (418) 383-3002 Fax: (418) 383-5334
Rotobec West: Branch serving Western Canada and Western USA Ph: (250) 765-1161 Fax: (250) 765-0035
Rotobec USA: Branch serving Eastern and Central USA Ph: (603) 444-2103 Fax: (603) 444-0327

We reserve the right to change specifications and to improve our products without notice or obligation.

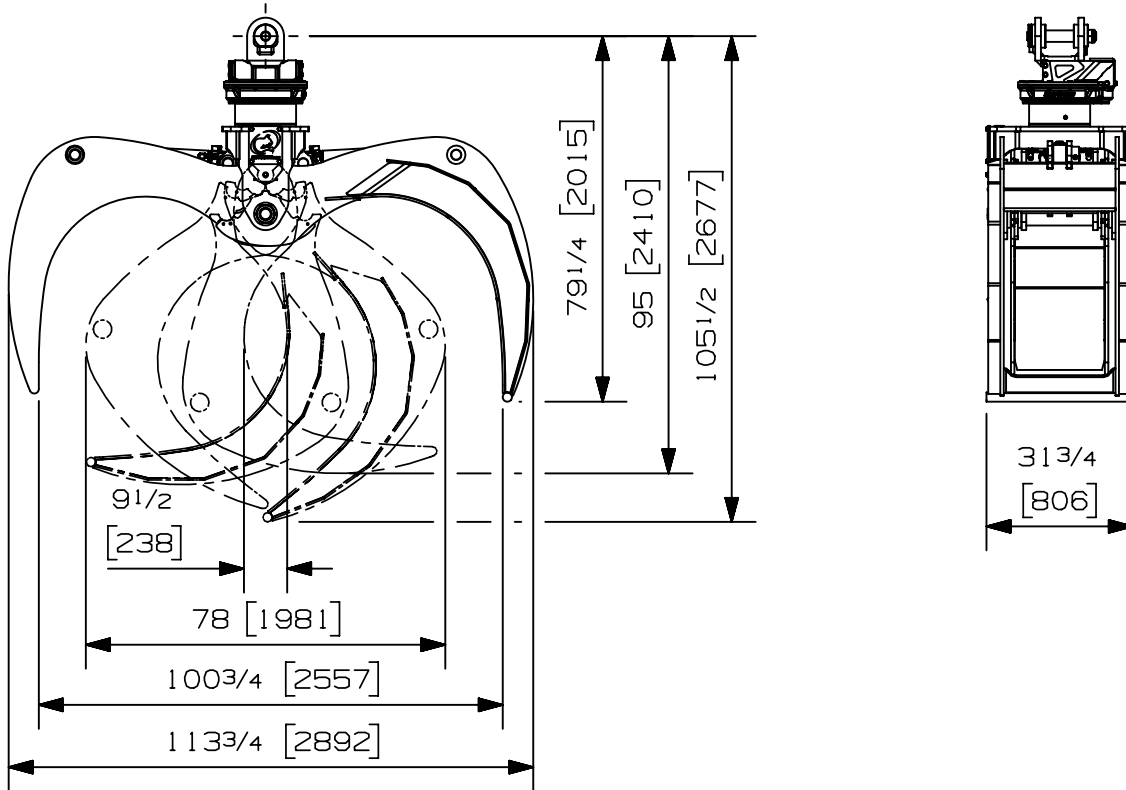


Max load:	n/a lb	n/a kg
Volume:	.84 cord of 8 ft	3.04 m ³
Area tip to tip:	13.45 ft ²	1.25 m ²
Rotator lifting capacity:	100000 lb	45359 kg
Torque at relief pressure:	27910 lb-in	3153 Nm
	1810 psi	125 bars
Weight:	3935 lb	1785 kg

Rotator	Maximum pressure: 5000 psi 345 bars	Recommended flow: 8 gpm 30 l/min
Rotator recommended flow will produce a maximum speed of 20 rpm		

Cylinder	Diameter	Recommended pressure	Pressure range	Flow range	Lock valves
Standard	4 " (102 mm)	4250 psi (293 bars)	3500-5000 psi (241-345 bars)	30-42 gpm (114-159 l/min.)	no

Grapple cylinder maximum flow will theoretically produce a complete grapple open/close cycle in 5 seconds.



Options:

- Leveling plate (145 lbs / 66 kg)
- Load holding valve on cylinders (10 lbs / 5 kg)
-
-

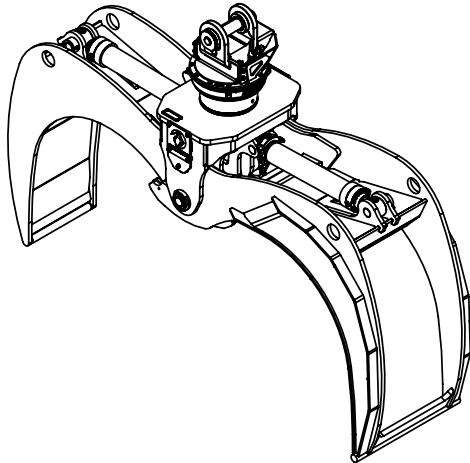
web site: www.rotobec.com

email: rotobec@rotobec.com

Rotobec Inc.: Head office serving OEM's and Eastern Canada Ph: (418) 383-3002 Fax: (418) 383-5334
Rotobec West: Branch serving Western Canada and Western USA Ph: (250) 765-1161 Fax: (250) 765-0035
Rotobec USA: Branch serving Eastern and Central USA Ph: (603) 444-2103 Fax: (603) 444-0327

We reserve the right to change specifications and to improve our products without notice or obligation.

07006-3038
01/10/18 D.L.

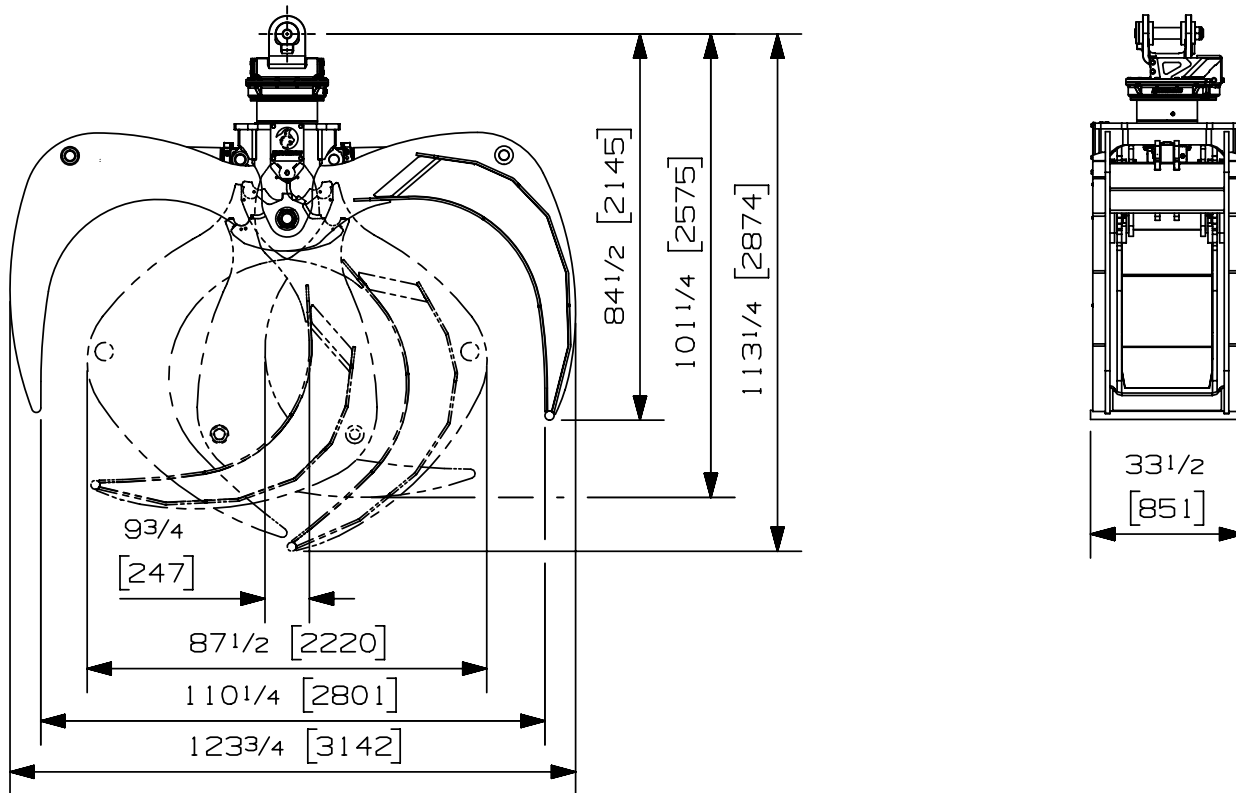


Max load:	- lb	- kg
Volume:	1.01 cord of 8 ft	3.66 m ³
Area tip to tip:	16.15 ft ²	1.50 m ²
Rotator lifting capacity:	100000 lb	45359 kg
Torque at relief pressure:	27910 lb-in	3153 Nm
	1810 psi	125 bars
Weight:	5105 lb	2316 kg

Rotator	Maximum pressure: 5000 psi 345 bars	Recommended flow: 8 gpm 30 l/min
Rotator recommended flow will produce a maximum speed of 20 rpm		

Cylinder	Diameter	Recommended pressure	Pressure range	Flow range	Lock valves
Standard	4 " (102 mm)	4250 psi (293 bars)	3500 - 5000 psi (241-345 bars)	32 - 42 gpm (121-159 l/min.)	No

Grapple cylinder maximum flow will theoretically produce a complete grapple open/close cycle in 6 seconds.



Options:

- Leveling Plate (170 lbs / 77 kg)
- Load Holding valve on cylinders (10 lbs / 5 kg)
-
-

web site: www.rotobec.com

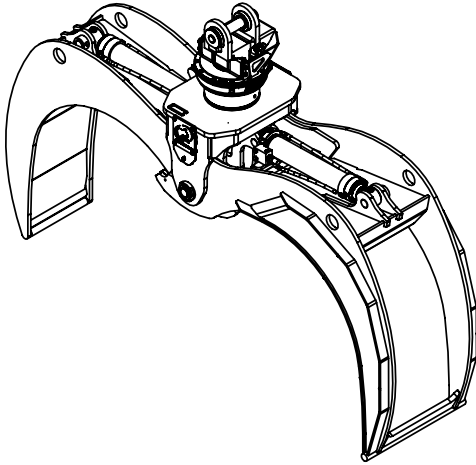
email: rotobec@rotobec.com

Rotobec Inc.: Head office serving OEM's and Eastern Canada Ph: (418) 383-3002 Fax: (418) 383-5334
Rotobec West: Branch serving Western Canada and Western USA Ph: (250) 765-1161 Fax: (250) 765-0035
Rotobec USA: Branch serving Eastern and Central USA Ph: (603) 444-2103 Fax: (603) 444-0327

We reserve the right to change specifications and to improve our products without notice or obligation.

07006-3032
22/09/20 D.L.

Combination Grapple 175CHD RT-1002-STDHT

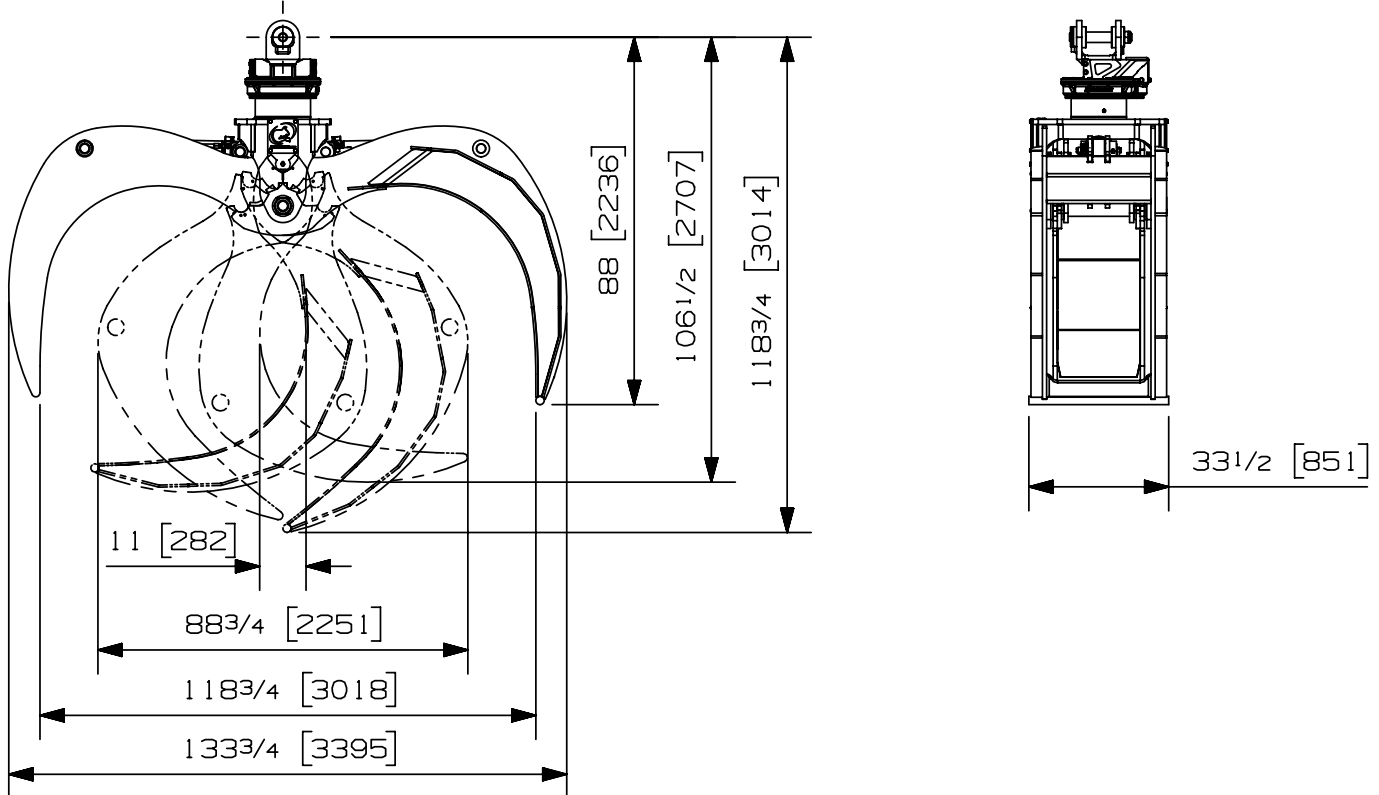


Max load:	n/a lb	n/a kg
Volume:	1.18 cord of 8 ft	4.28 m ³
Area tip to tip:	18.84 ft ²	1.75 m ²
Rotator lifting capacity:	100000 lb	45359 kg
Torque at relief pressure:	27910 lb-in	3153 Nm
	1810 psi	125 bars
Weight:	5325 lb	2415 kg

Rotator	Maximum pressure: 5000 psi 345 bars	Recommended flow: 8 gpm 30 l/min
Rotator recommended flow will produce a speed of 20 rpm		

Cylinder	Diameter	Recommended pressure	Pressure range	Flow range	Lock valves
Standard	4 " (102 mm)	4250 psi (293 bars)	3500-5000 psi (241-345 bars)	32-42 gpm (121-159 l/min.)	no

Grapple cylinder maximum flow will theoretically produce a complete grapple open/close cycle in 6 seconds.



Options:

- Leveling plate (170 lbs / 77 kg)
- Load holding valve on cylinders (10 lbs / 5 kg)
-
-

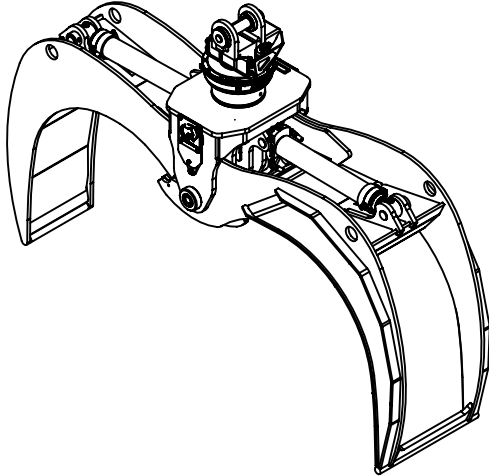
web site: www.rotobec.com

email: rotobec@rotobec.com

Rotobec Inc.: Head office serving OEM's and Eastern Canada Ph: (418) 383-3002 Fax: (418) 383-5334
Rotobec West: Branch serving Western Canada and Western USA Ph: (250) 765-1161 Fax: (250) 765-0035
Rotobec USA: Branch serving Eastern and Central USA Ph: (603) 444-2103 Fax: (603) 444-0327

We reserve the right to change specifications and to improve our products without notice or obligation.

07006-3034
04/12/18 D.L.

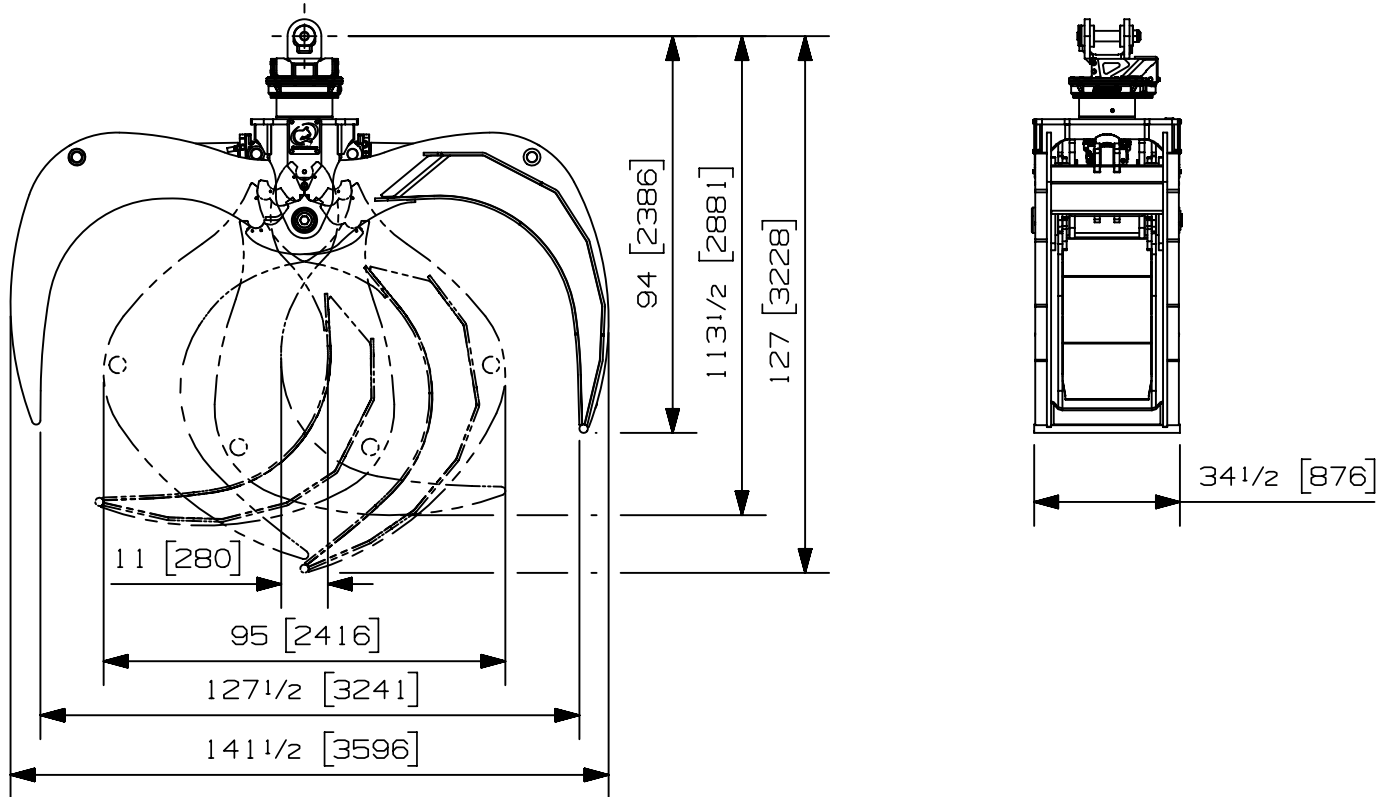


Max load:	n/a lb	n/a kg
Volume:	1.35 cord of 8 ft	4.89 m ³
Area tip to tip:	21.53 ft ²	2.00 m ²
Rotator lifting capacity:	100000 lb	45359 kg
Torque at relief pressure:	27910 lb-in	3153 Nm
	1810 psi	125 bars
Weight:	6470 lb	2935 kg

Rotator	Maximum pressure: 5000 psi 345 bars	Recommended flow: 8 gpm 30 l/min
Rotator recommended flow will produce a maximum speed of 20 rpm		

Cylinder	Diameter	Recommended pressure	Pressure range	Flow range	Lock valves
Standard	4 1/2 " (114 mm)	4250 psi (293 bars)	3500-5000 psi (241-345 bars)	47-63 gpm (178-238 l/min.)	no

Grapple cylinder maximum flow will theoretically produce a complete grapple open/close cycle in 6 seconds.



Options:

- Leveling plate (n/a)
- Load holding valve on cylinders (10 lbs / 5 kg)
-
-

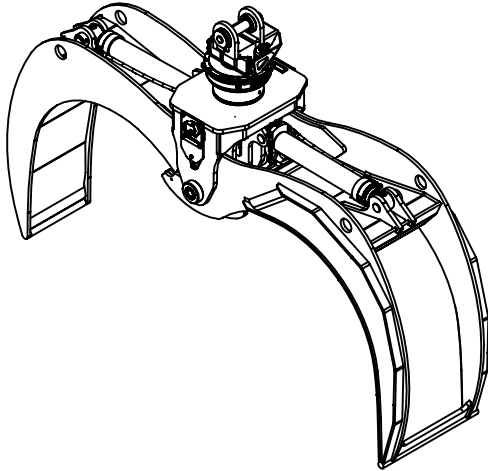
web site: www.rotobec.com

email: rotobec@rotobec.com

Rotobec Inc.: Head office serving OEM's and Eastern Canada Ph: (418) 383-3002 Fax: (418) 383-5334
Rotobec West: Branch serving Western Canada and Western USA Ph: (250) 765-1161 Fax: (250) 765-0035
Rotobec USA: Branch serving Eastern and Central USA Ph: (603) 444-2103 Fax: (603) 444-0327

We reserve the right to change specifications and to improve our products without notice or obligation.

07005-5213
04/12/18 D.L.

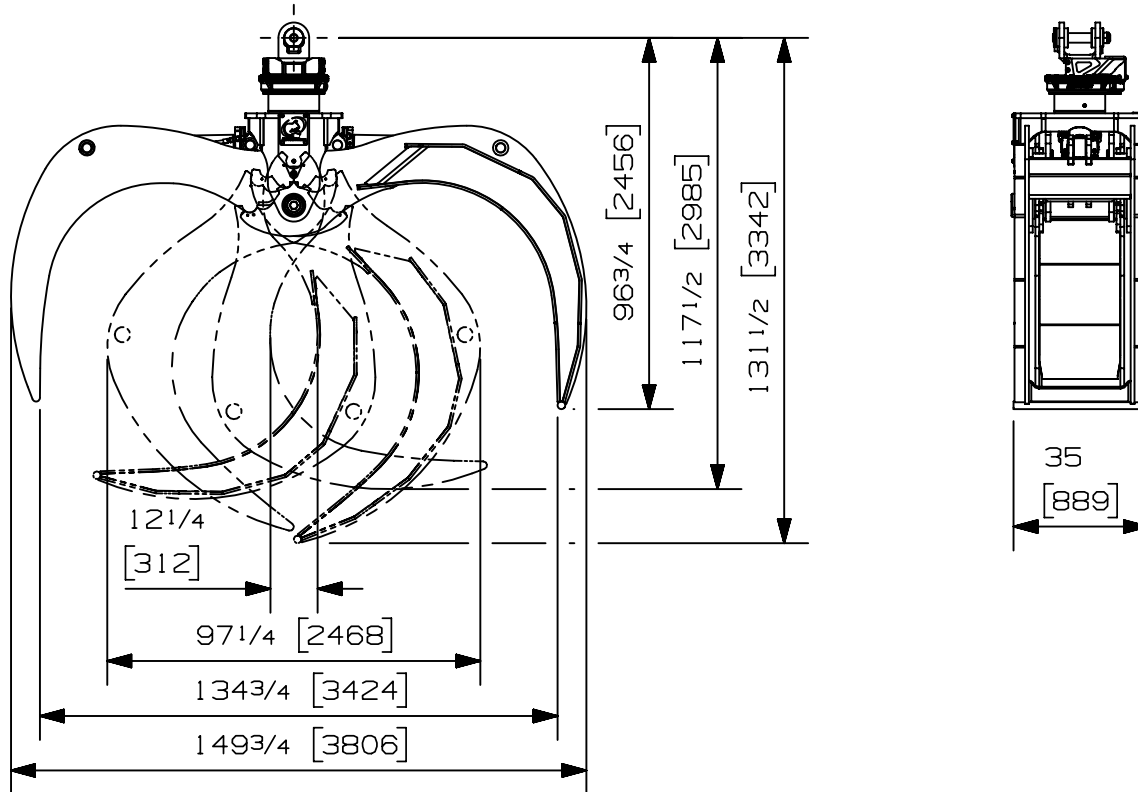


Max load:	n/a lb	n/a kg
Volume:	1.51 cord of 8 ft	5.47 m ³
Area tip to tip:	24.22 ft ²	2.25 m ²
Rotator lifting capacity:	100000 lb	45359 kg
Torque at relief pressure:	27910 lb-in	3153 Nm
	1810 psi	125 bars
Weight:	6625 lb	3005 kg

Rotator	Maximum pressure: 5000 psi 345 bars	Recommended flow: 8 gpm 30 l/min
Rotator recommended flow will produce a maximum speed of 20 rpm		

Cylinder	Diameter	Recommended pressure	Pressure range	Flow range	Lock valves
Standard	4 1/2 " (114 mm)	4250 psi (293 bars)	3500-5000 psi (241-345 bars)	47-63 gpm (178-238 l/min.)	no

Grapple cylinder maximum flow will theoretically produce a complete grapple open/close cycle in 6 seconds.



Options:

- Leveling plate (n/a)
- Load holding valve on cylinders (10 lbs / 5 kg)
-
-

web site: www.rotobec.com

email: rotobec@rotobec.com

Rotobec Inc.: Head office serving OEM's and Eastern Canada Ph: (418) 383-3002 Fax: (418) 383-5334
Rotobec West: Branch serving Western Canada and Western USA Ph: (250) 765-1161 Fax: (250) 765-0035
Rotobec USA: Branch serving Eastern and Central USA Ph: (603) 444-2103 Fax: (603) 444-0327

We reserve the right to change specifications and to improve our products without notice or obligation.

07003-9678
04/12/18 D.L.