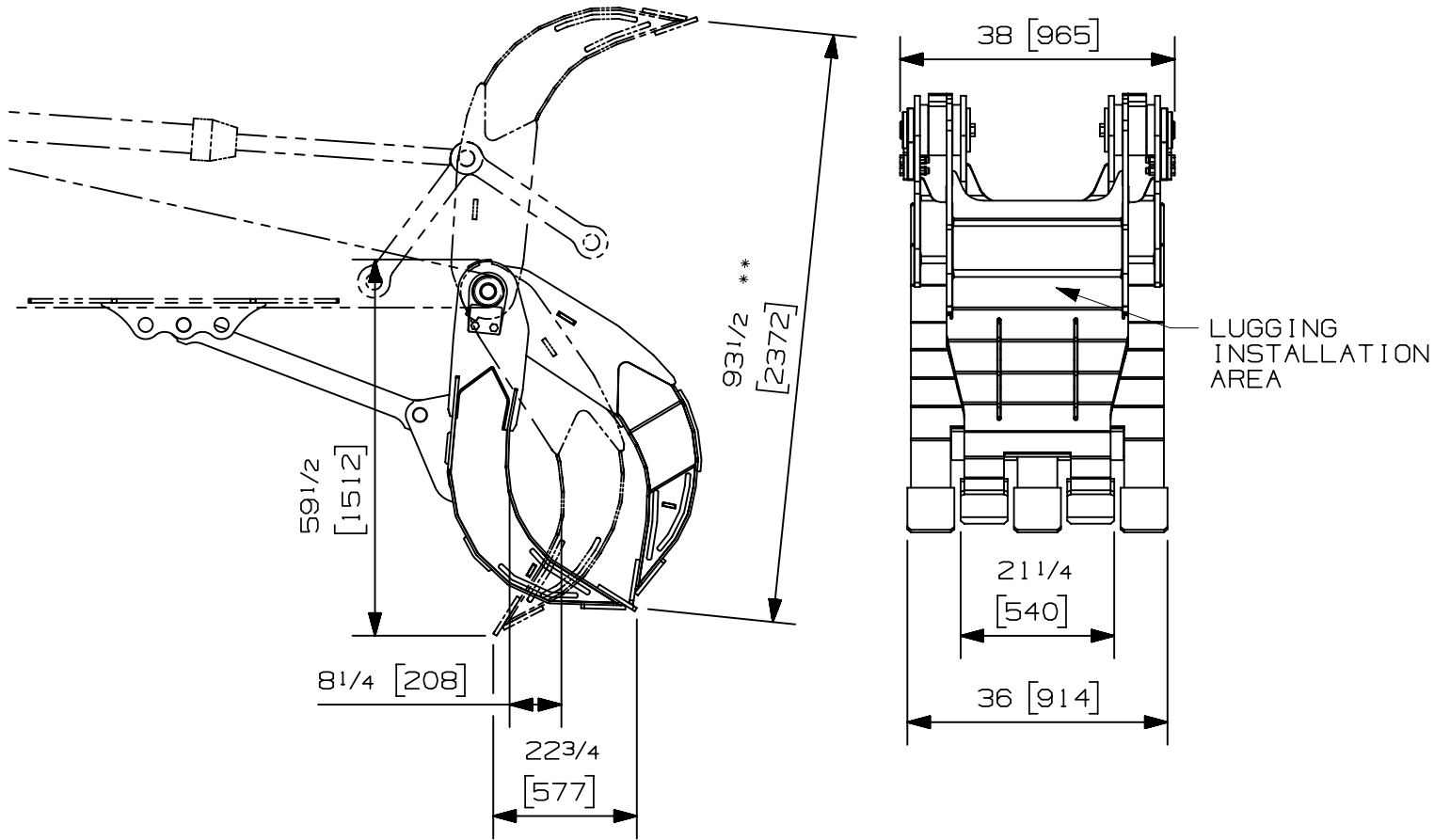


Excavator class:	25000-35000 lb	11-16 Tonnes
Capacity	1.00 y <sup>3</sup>	0.76 m <sup>3</sup>
Weight (w/o lugging):	2060 lb	934 kg
Installation type:	GENERIC	



\*\*JAW OPENING WILL VARY UP TO 10% OF SPECIFIC OPENING, DEPENDING UPON THE MODEL EXCAVATOR IT IS MOUNTED TO.

Options:

- Tool cylinder kit.

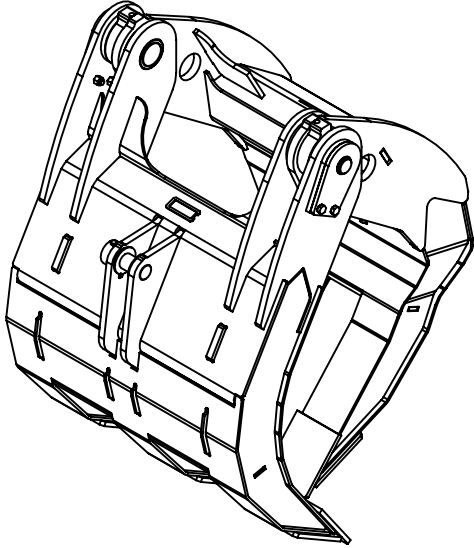
web site: [www.rotobec.com](http://www.rotobec.com)

email: [rotobec@rotobec.com](mailto:rotobec@rotobec.com)

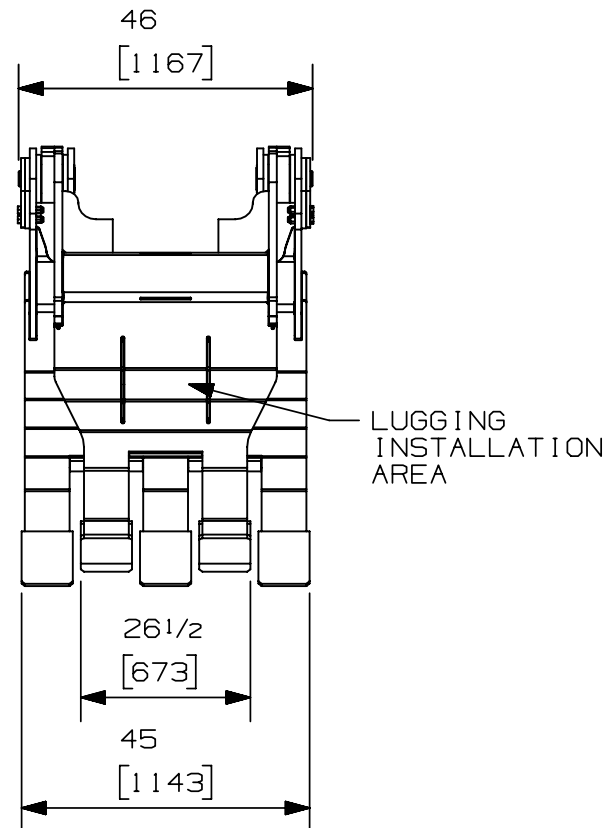
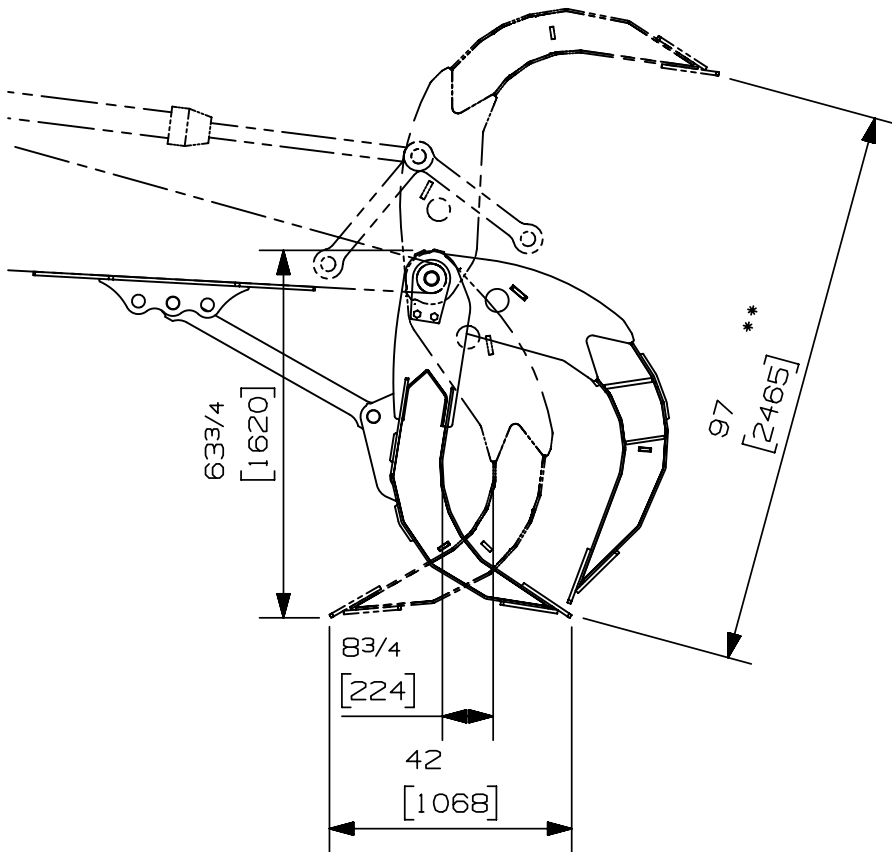
**Rotobec Inc.:** Head office serving OEM's and Eastern Canada Ph: (418) 383-3002 Fax: (418) 383-5334  
**Rotobec West:** Branch serving Western Canada and Western USA Ph: (250) 765-1161 Fax: (250) 765-0035  
**Rotobec USA:** Branch serving Eastern and Central USA Ph: (603) 444-2103 Fax: (603) 444-0327

We reserve the right to change specifications and to improve our products without notice or obligation.

07007-2066  
01/09/17 D.B.



Excavator class:	35000-50000 lb	16-22 Tonnes
Capacity	2.0 y <sup>3</sup>	1.53 m <sup>3</sup>
Weight (w/o lugging):	2800 lb	1270 kg
Installation type:	GENERIC	



\*\* JAW OPENING WILL VARY UP TO 10% OF SPECIFIC OPENING, DEPENDING UPON THE MODEL EXCAVATOR IT IS MOUNTED TO.

Options:

-TOOL CYLINDER KIT

-  
-  
-

web site: [www.rotobec.com](http://www.rotobec.com)

email: [rotobec@rotobec.com](mailto:rotobec@rotobec.com)

**Rotobec Inc.:** Head office serving OEM's and Eastern Canada  
**Rotobec West:** Branch serving Western Canada and Western USA  
**Rotobec USA:** Branch serving Eastern and Central USA

Ph: (418) 383-3002 Fax: (418) 383-5334  
Ph: (250) 765-1161 Fax: (250) 765-0035  
Ph: (603) 444-2103 Fax: (603) 444-0327