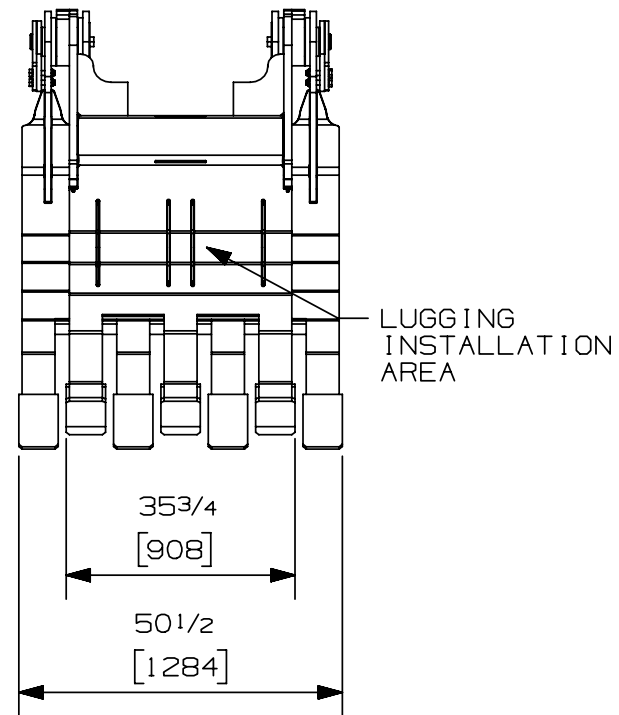
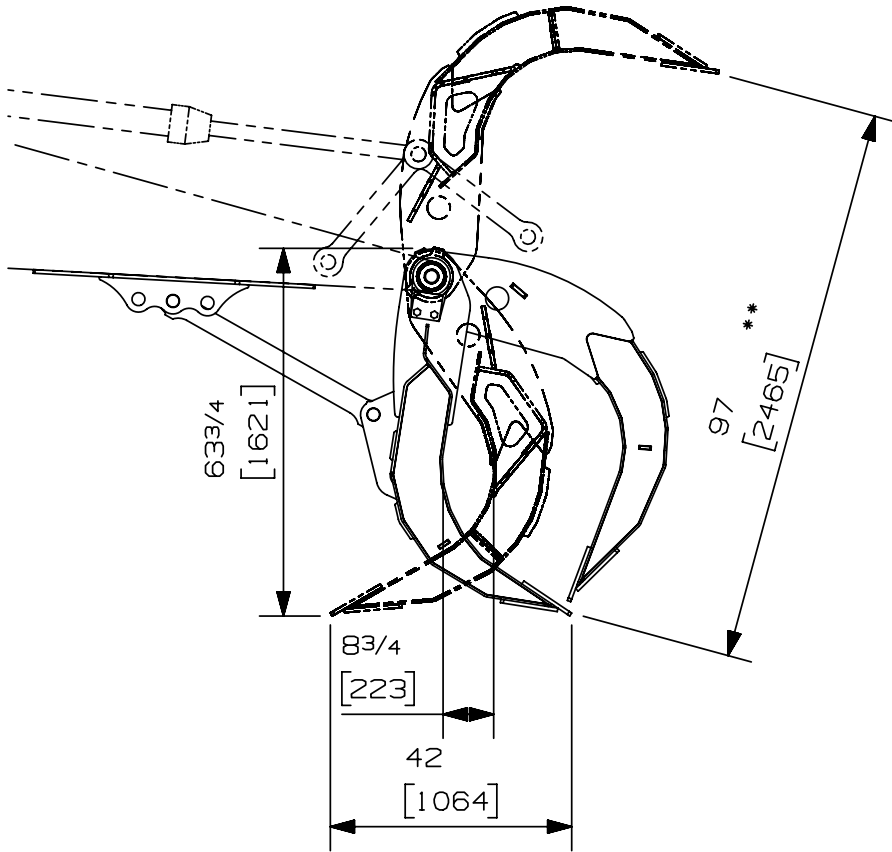


Excavator class:	35000-50000 lb	16-22 Tonnes
Capacity	1.91 m ³	2.5 y ³
Weight (w/o lugging):	2970 lb	1347 kg
Installation type:	GENERIC	



** JAW OPENING WILL VARY UP TO 10% OF SPECIFIC OPENING, DEPENDING UPON THE MODEL EXCAVATOR IT IS MOUNTED TO.

Options:

-TOOL CYLINDER KIT

-
-
-

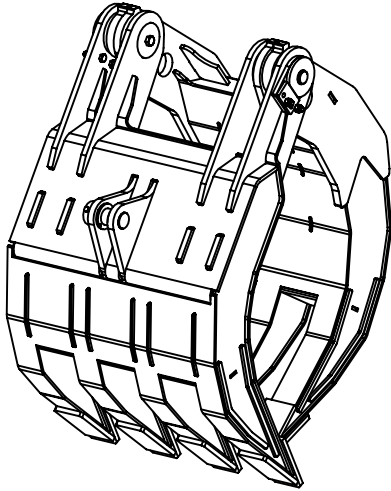
web site: www.rotobec.com

email: rotobec@rotobec.com

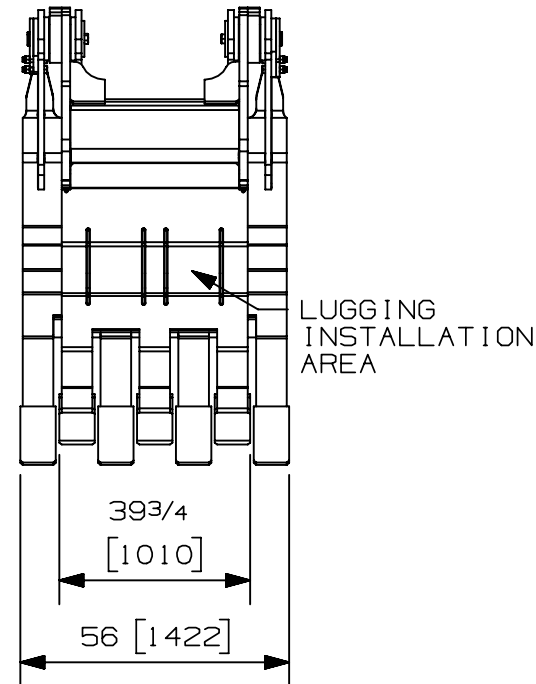
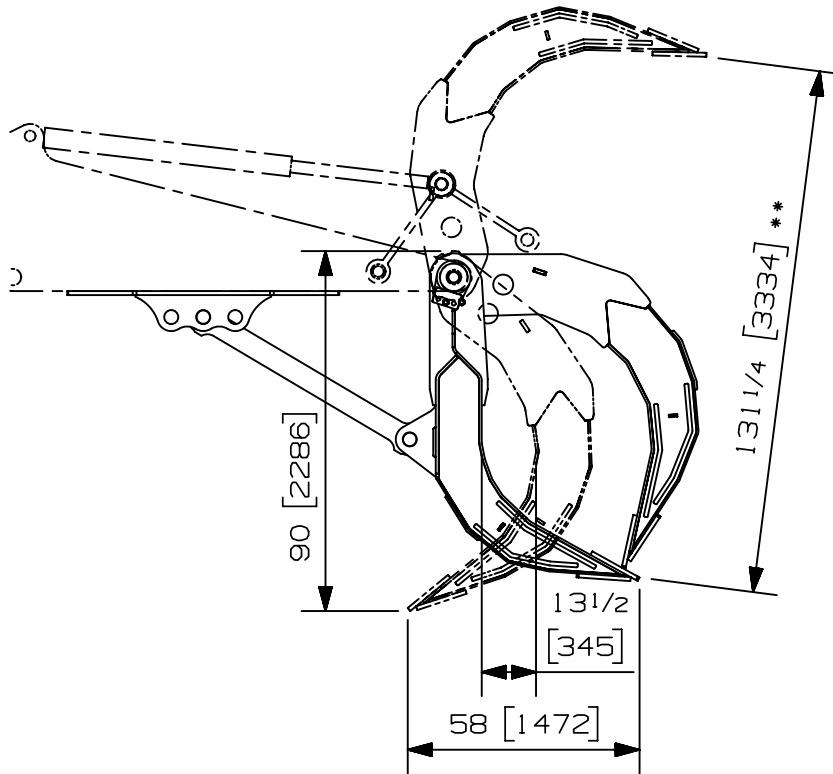
Rotobec Inc.: Head office serving OEM's and Eastern Canada Ph: (418) 383-3002 Fax: (418) 383-5334
Rotobec West: Branch serving Western Canada and Western USA Ph: (250) 765-1161 Fax: (250) 765-0035
Rotobec USA: Branch serving Eastern and Central USA Ph: (603) 444-2103 Fax: (603) 444-0327

We reserve the right to change specifications and to improve our products without notice or obligation.

07003-8570
30/03/17 D.L.



Excavator class:	80000-110000 lb	36-49 Tonnes
Capacity	5.5 y ³	4.21 m ³
Weight (w/o lugging):	7268 lb	3297 kg
Installation type:	GENERIC	



**JAW OPENING WILL VARY UP TO 10% OF SPECIFIC OPENING, DEPENDING UPON THE MODEL EXCAVATOR IT IS MOUNTED TO.

Options:

- TOOL CYLINDER KIT
-
-
-

web site: www.rotobec.com

email: rotobec@rotobec.com

Rotobec Inc.: Head office serving OEM's and Eastern Canada Ph: (418) 383-3002 Fax: (418) 383-5334
Rotobec West: Branch serving Western Canada and Western USA Ph: (250) 765-1161 Fax: (250) 765-0035
Rotobec USA: Branch serving Eastern and Central USA Ph: (603) 444-2103 Fax: (603) 444-0327