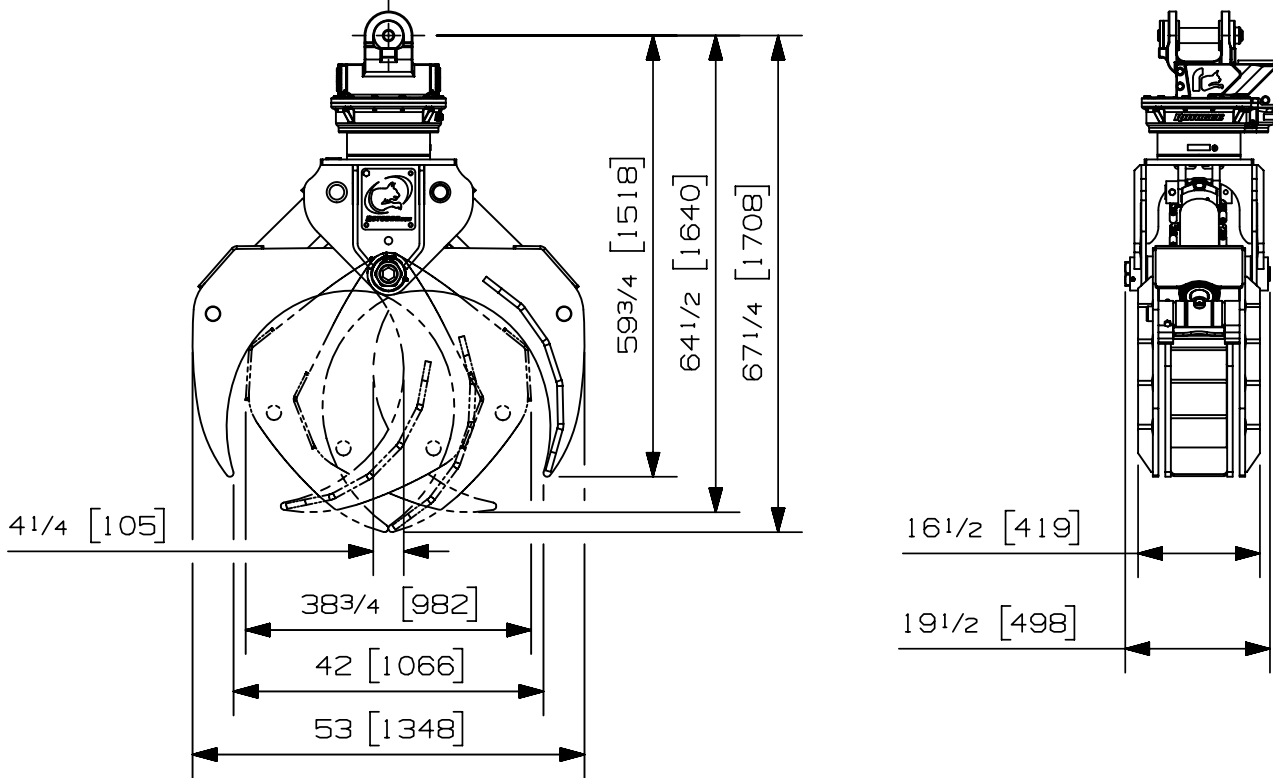


Max load:	n/a lb	n/a kg
Volume:	.17 cord of 8ft.	.62 m ³
Area tip to tip:	2.72 ft ²	.25 m ²
Rotator lifting capacity:	50000 lb	22680 kg
Torque at relief pressure:	14910 lb-in	1685 Nm
	1160 psi	80 bars
Weight:	1385 lb	628 kg

Rotator	Maximum pressure: 5000 psi 345 bars	Recommended flow: 9 gpm 34 l/min
Rotator recommended flow will produce a speed of 25 rpm		

Cylinder	Diameter	Recommended pressure	Pressure range	Flow range	Lock valves
Standard	3 1/2 " (89 mm)	3750 psi (259 bars)	2500-5000 psi (172-345 bars)	15-23 gpm (57-87 l/min.)	yes

Grapple cylinder maximum flow will theoretically produce a complete grapple open/close cycle in 4 seconds.

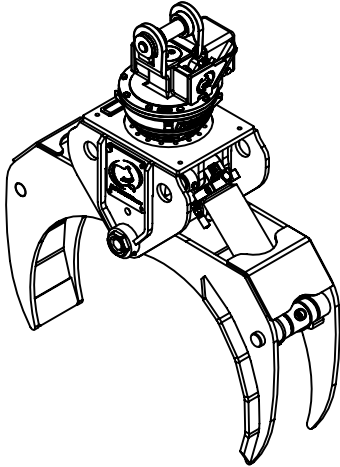


- Options:
- Log protection package, including shaft on jaw tips and protection strips on jaw edges. (55 lbs / 25 kg)
 - Shaft on jaw tips to prevent log damage. (n/a)
 - Impact protection relief valve. (10 lbs / 5 kg)
 - Optional brush rake kit. (n/a)
 - Head protector. (40 lbs / 18 kg)
 - Saw bundle kit RGS-404. (425 lbs / 193 kg)

web site: www.rotobec.com

email: rotobec@rotobec.com

Rotobec Inc.: Head office serving OEM's and Eastern Canada Ph: (418) 383-3002 Fax: (418) 383-5334
Rotobec West: Branch serving Western Canada and Western USA Ph: (250) 765-1161 Fax: (250) 765-0035
Rotobec USA: Branch serving Eastern and Central USA Ph: (603) 444-2103 Fax: (603) 444-0327

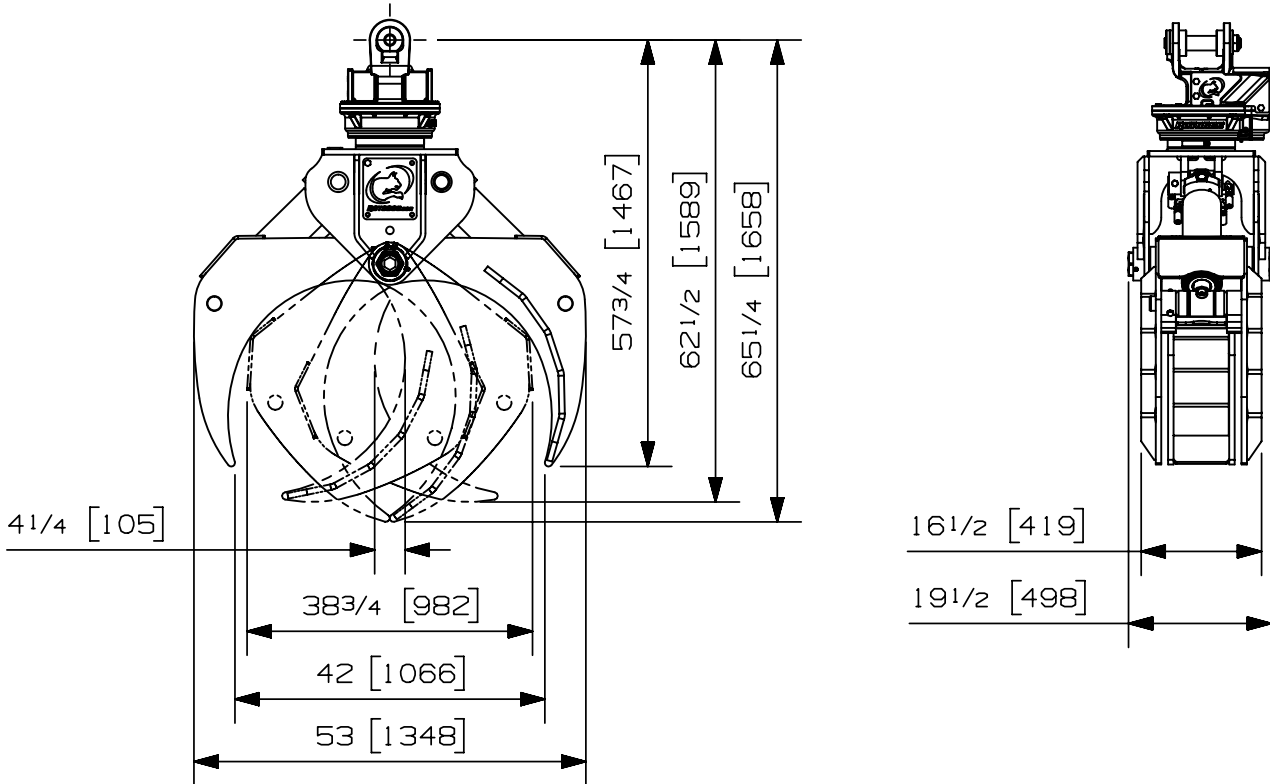


Max load:	n/a lb	n/a kg
Volume:	.17 cord of 8ft	.62 m ³
Area tip to tip:	2.72 ft ²	.25 m ²
Rotator lifting capacity:	25000 lb	11340 kg
Torque at relief pressure:	16150 lb-in	1825 Nm
	1450 psi	100 bars
Weight:	1210 lb	549 kg

Rotator	Maximum pressure: 5000 psi 345 bars	Recommended flow: 9 gpm 34 l/min
Rotator recommended flow will produce a speed of 30 rpm		

Cylinder	Diameter	Recommended pressure	Pressure range	Flow range	Lock valves
Standard	3 1/2 " (89 mm)	3750 psi (259 bars)	2500-5000 psi (172-345 bars)	15-23 gpm (57-87 l/min.)	yes

Grapple cylinder maximum flow will theoretically produce a complete grapple open/close cycle in 4 seconds.



- Options:
- Log protection package, including shaft on jaw tips and protection strips on jaw edges. (55 lbs / 25 kg)
 - Shaft on jaw tips to prevent log damage. (n/a)
 - Impact protection relief valve. (10 lbs / 5 kg)
 - Optional brush rake kit. (n/a)
 - Head protector. (40 lbs / 18 kg)

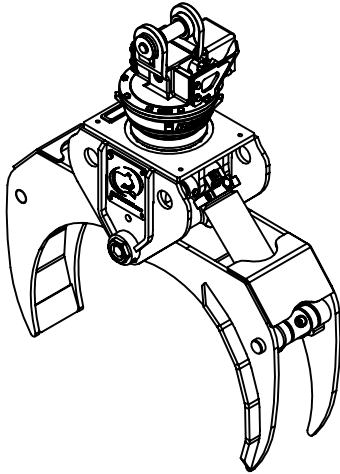
web site: www.rotobec.com

email: rotobec@rotobec.com

Rotobec Inc.: Head office serving OEM's and Eastern Canada Ph: (418) 383-3002 Fax: (418) 383-5334
Rotobec West: Branch serving Western Canada and Western USA Ph: (250) 765-1161 Fax: (250) 765-0035
Rotobec USA: Branch serving Eastern and Central USA Ph: (603) 444-2103 Fax: (603) 444-0327

We reserve the right to change specifications and to improve our products without notice or obligation.

07008-2884
15/05/19 D.L.

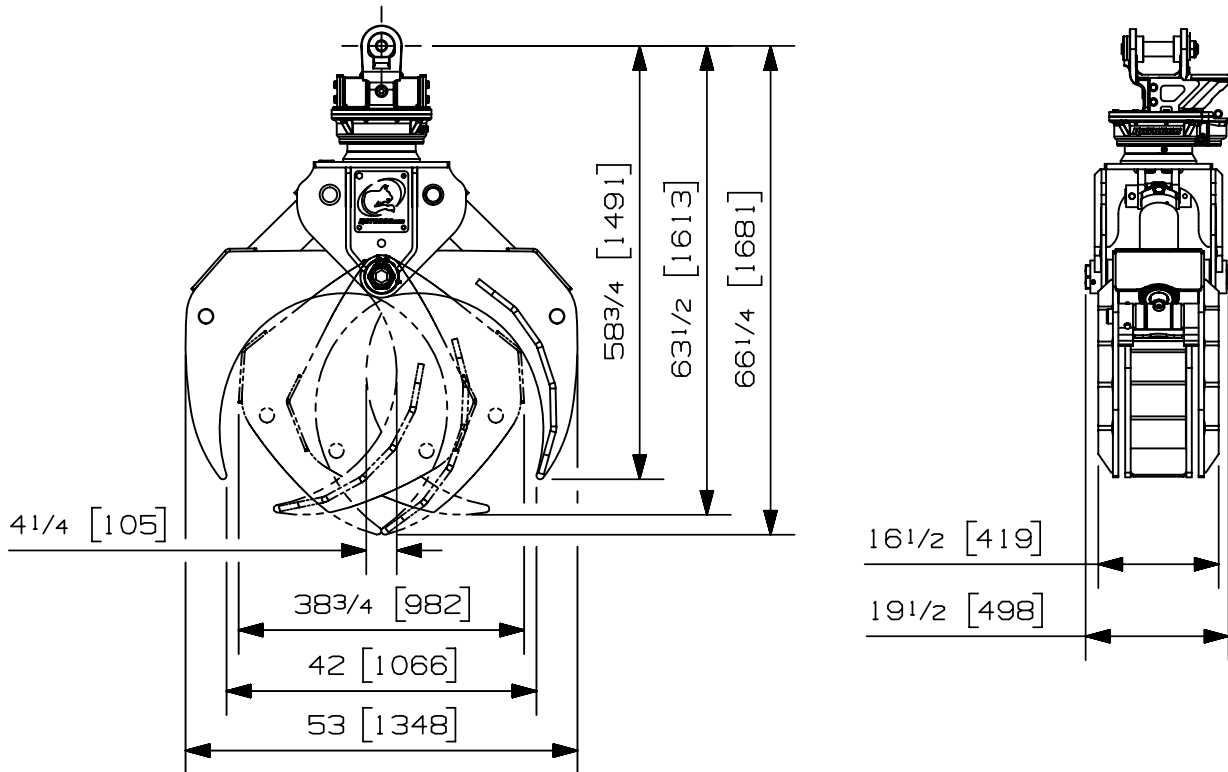


Max load:	n/a lb	n/a kg
Volume:	.17 cord of 8ft	.62 m ³
Area tip to tip:	2.72 ft ²	.25 m ²
Rotator lifting capacity:	32000 lb	14515 kg
Torque at relief pressure:	12920 lb-in	1460 Nm
	1160 psi	80 bars
Weight:	1255 lb	569 kg

Rotator	Maximum pressure: 5000 psi 345 bars	Recommended flow: 9 gpm 34 l/min
Rotator recommended flow will produce a speed of 30 rpm		

Cylinder	Diameter	Recommended pressure	Pressure range	Flow range	Lock valves
Standard	3 1/2 " (89 mm)	3750 psi (259 bars)	2500-5000 psi (172-345 bars)	15-23 gpm (57-87 l/min.)	yes

Grapple cylinder maximum flow will theoretically produce a complete grapple open/close cycle in 4 seconds.



- Options:
- Log protection package, including shaft on jaw tips and protection strips on jaw edges. (55 lbs / 25 kg)
 - Shaft on jaw tips to prevent log damage. (n/a)
 - Impact protection relief valve. (10 lbs / 5 kg)
 - Optional brush rake kit. (n/a)
 - Head protector (40 lbs / 18 kg)

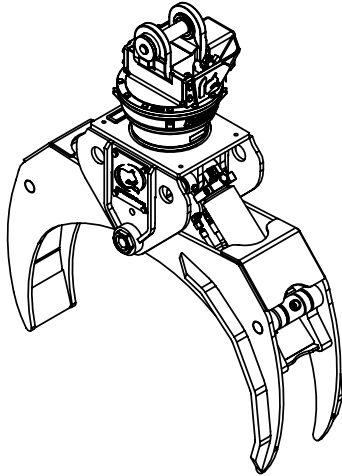
web site: www.rotobec.com

email: rotobec@rotobec.com

Rotobec Inc.: Head office serving OEM's and Eastern Canada Ph: (418) 383-3002 Fax: (418) 383-5334
Rotobec West: Branch serving Western Canada and Western USA Ph: (250) 765-1161 Fax: (250) 765-0035
Rotobec USA: Branch serving Eastern and Central USA Ph: (603) 444-2103 Fax: (603) 444-0327

We reserve the right to change specifications and to improve our products without notice or obligation.

07005-8209
15/05/19 D.L.

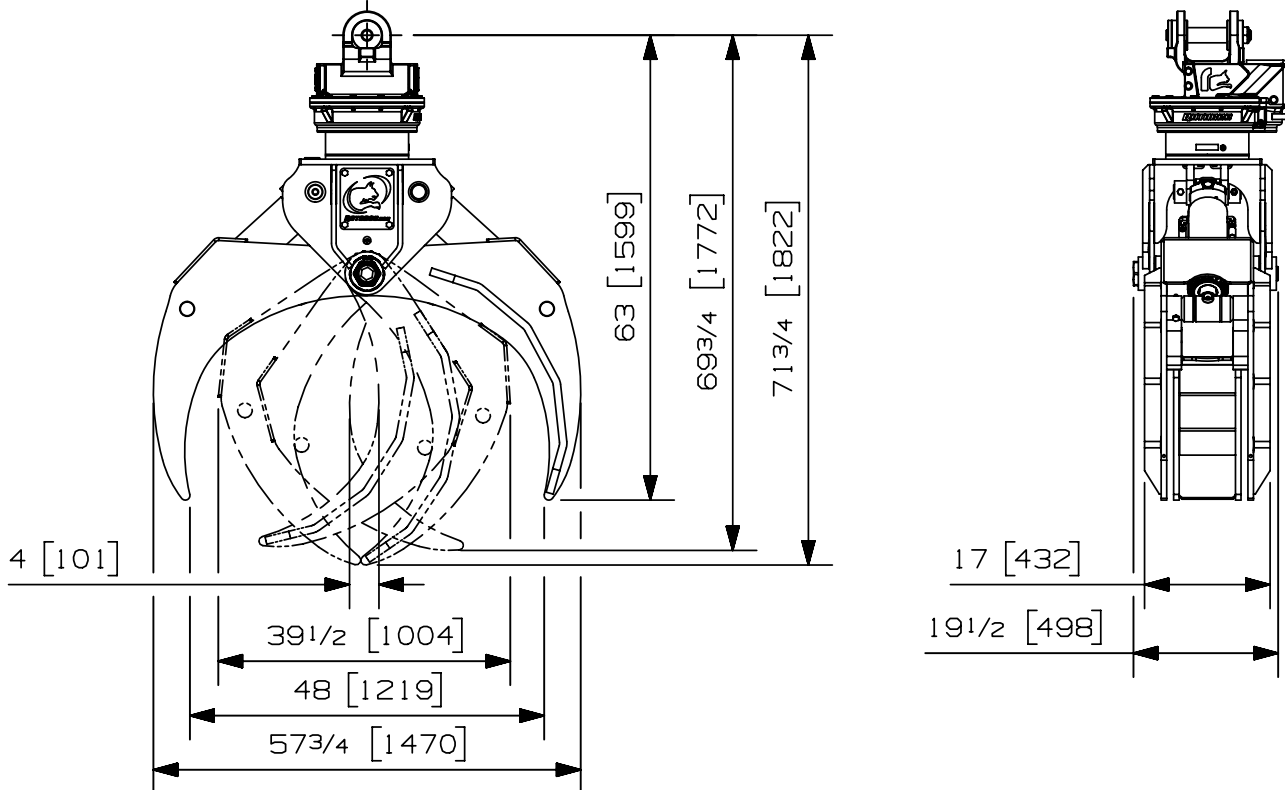


Max load:	n/a lb	n/a kg
Volume:	.19 Cord of 8 ft	.69 m ³
Area tip to tip:	3.06 ft ²	.28 m ²
Rotator lifting capacity:	50000 lb	22680 kg
Torque at relief pressure:	14910 lb-in	1685 Nm
	1160 psi	80 bars
Weight:	1510 lb	685 kg

Rotator	Maximum pressure: 5000 psi 345 bars	Recommended flow: 9 gpm 34 l/min
Rotator recommended flow will produce a speed of 25 rpm		

Cylinder	Diameter	Recommended pressure	Pressure range	Flow range	Lock valves
Standard	3 1/2 " (89 mm)	3750 psi (259 bars)	2500-5000 psi (172-345 bars)	15-23 gpm (57-87 l/min.)	yes

Grapple cylinder maximum flow will theoretically produce a complete grapple open/close cycle in 4 seconds.

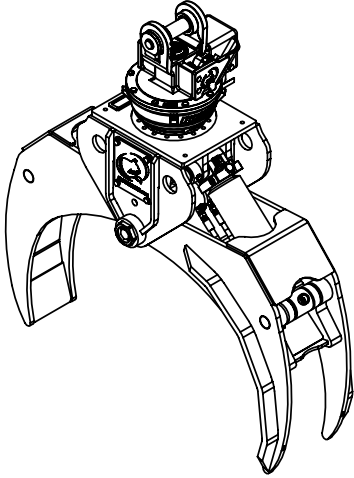


- Options:
- Head protector (40 lbs / 18 kg)
 - Log protection package, including shaft on jaw tips and protection strips on jaw edges (55 lbs / 25 kg)
 - Shaft on jaw tips to prevent log damage (n/a)
 - Impact protection relief valve (10 lbs / 5 kg)
 - Saw bundle 404 (saw included) (425 lbs / 193 kg)
 - Optional brush rake kit (n/a)
 - Saw bundle 750 (saw included) (670 lbs / 304 kg)

web site: www.rotobec.com

email: rotobec@rotobec.com

Rotobec Inc.: Head office serving OEM's and Eastern Canada Ph: (418) 383-3002 Fax: (418) 383-5334
Rotobec West: Branch serving Western Canada and Western USA Ph: (250) 765-1161 Fax: (250) 765-0035
Rotobec USA: Branch serving Eastern and Central USA Ph: (603) 444-2103 Fax: (603) 444-0327

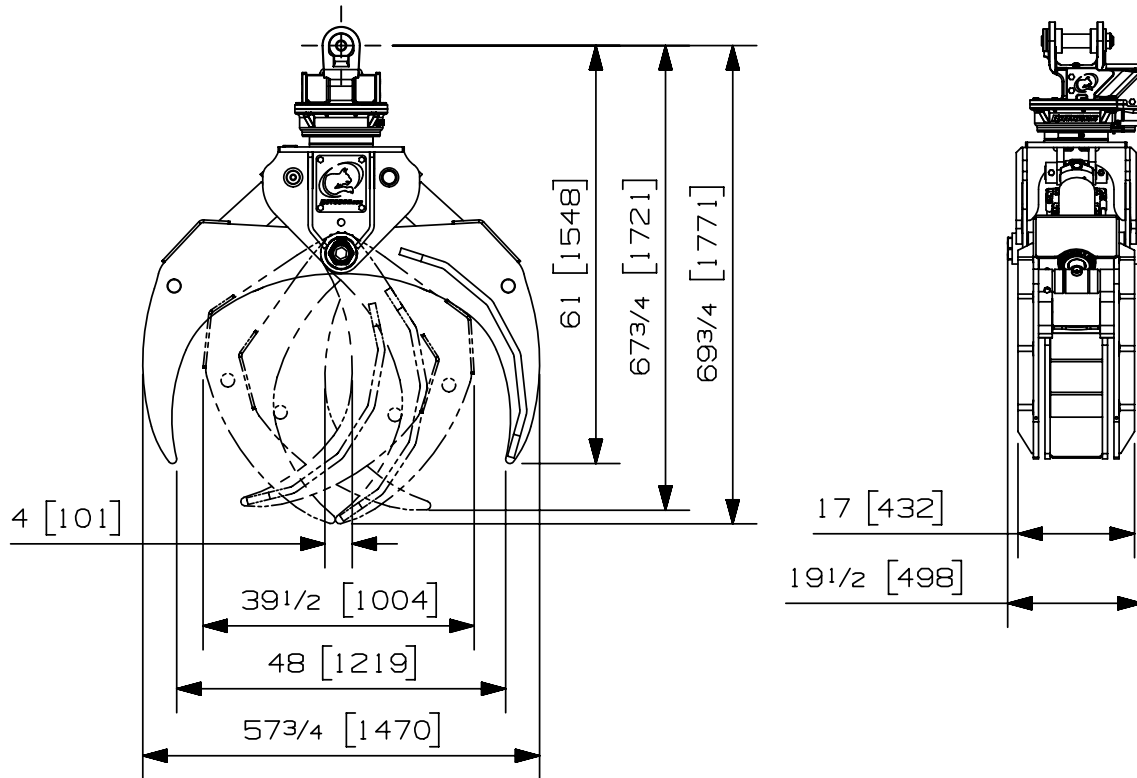


Max load:	n/a lb	n/a kg
Volume:	.19 cord of 8ft.	.69 m ³
Area tip to tip:	3.06 ft ²	.28 m ²
Rotator lifting capacity:	25000 lb	11340 kg
Torque at relief pressure:	16150 lb-in 1450 psi	1825 Nm 100 bars
Weight:	1335 lb	606 kg

Rotator	Maximum pressure: 5000 psi 345 bars	Recommended flow: 9 gpm 34 l/min
Rotator recommended flow will produce a speed of 30 rpm		

Cylinder	Diameter	Recommended pressure	Pressure range	Flow range	Lock valves
Standard	3 1/2 " (89 mm)	3750 psi (259 bars)	2500-5000 psi (172-345 bars)	15-23 gpm (57-87 l/min.)	yes

Grapple cylinder maximum flow will theoretically produce a complete grapple open/close cycle in 4 seconds.



- Options:
- Head protector (40 lbs / 18 kg)
 - Log protection package, including shaft on jaw tips and protection strips on jaw edges (55 lbs / 25 kg)
 - Shaft on jaw tips to prevent log damage (n/a)
 - Impact protection relief valve (10 lbs / 5 kg)
 - Optional brush rake kit (n/a)

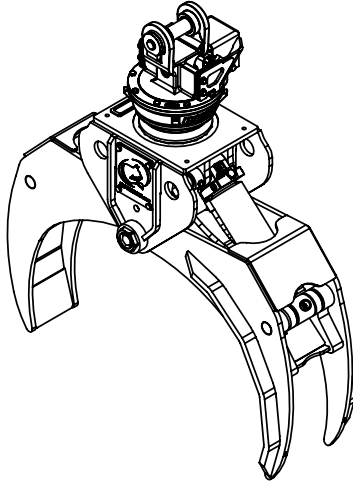
web site: www.rotobec.com

email: rotobec@rotobec.com

Rotobec Inc.: Head office serving OEM's and Eastern Canada Ph: (418) 383-3002 Fax: (418) 383-5334
Rotobec West: Branch serving Western Canada and Western USA Ph: (250) 765-1161 Fax: (250) 765-0035
Rotobec USA: Branch serving Eastern and Central USA Ph: (603) 444-2103 Fax: (603) 444-0327

We reserve the right to change specifications and to improve our products without notice or obligation.

07008-2567
17/05/19 D.L.

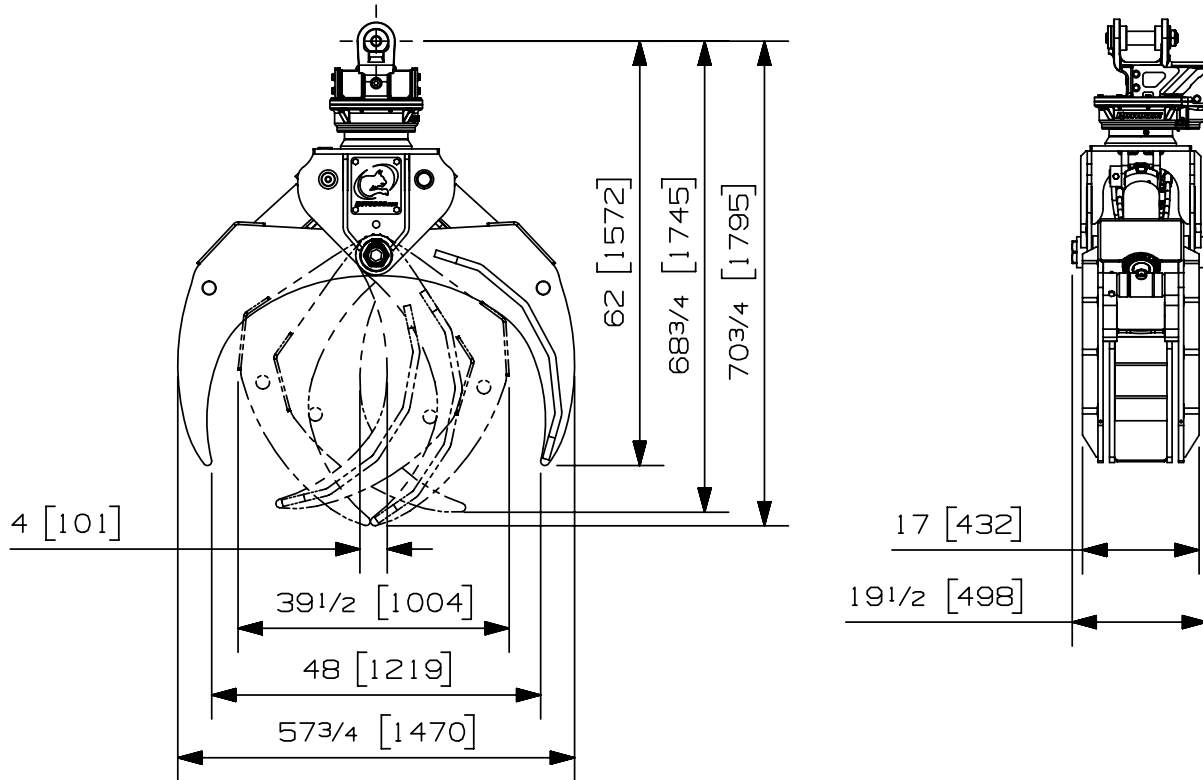


Max load:	n/a lb	n/a kg
Volume:	.19 cord of 8ft.	.69 m ³
Area tip to tip:	3.06 ft ²	.28 m ²
Rotator lifting capacity:	32000 lb	14515 kg
Torque at relief pressure:	12920 lb-in 1160 psi	1460 Nm 80 bars
Weight:	1380 lb	626 kg

Rotator	Maximum pressure: 5000 psi 345 bars	Recommended flow: 9 gpm 34 l/min
Rotator recommended flow will produce a speed of 30 rpm		

Cylinder	Diameter	Recommended pressure	Pressure range	Flow range	Lock valves
Standard	3 1/2 " (89 mm)	3750 psi (259 bars)	2500-5000 psi (172-345 bars)	15-23 gpm (57-87 l/min.)	yes

Grapple cylinder maximum flow will theoretically produce a complete grapple open/close cycle in 4 seconds.



- Options:
- Head protector (40 lbs / 18 kg)
 - Log protection package, including shaft on jaw tips and protection strips on jaw edges (55 lbs / 25 kg)
 - Shaft on jaw tips to prevent log damage (n/a)
 - Impact protection relief valve (10 lbs / 5 kg)
 - Optional brush rake kit (n/a)

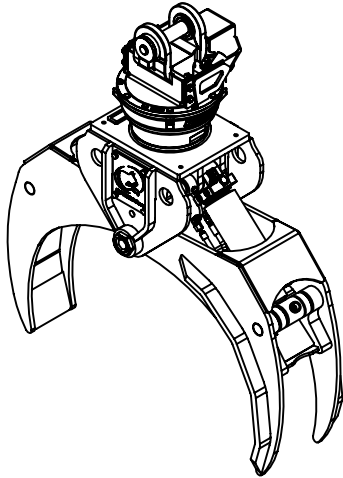
web site: www.rotobec.com

email: rotobec@rotobec.com

Rotobec Inc.: Head office serving OEM's and Eastern Canada Ph: (418) 383-3002 Fax: (418) 383-5334
Rotobec West: Branch serving Western Canada and Western USA Ph: (250) 765-1161 Fax: (250) 765-0035
Rotobec USA: Branch serving Eastern and Central USA Ph: (603) 444-2103 Fax: (603) 444-0327

We reserve the right to change specifications and to improve our products without notice or obligation.

07005-8210
17/05/19 D.L.

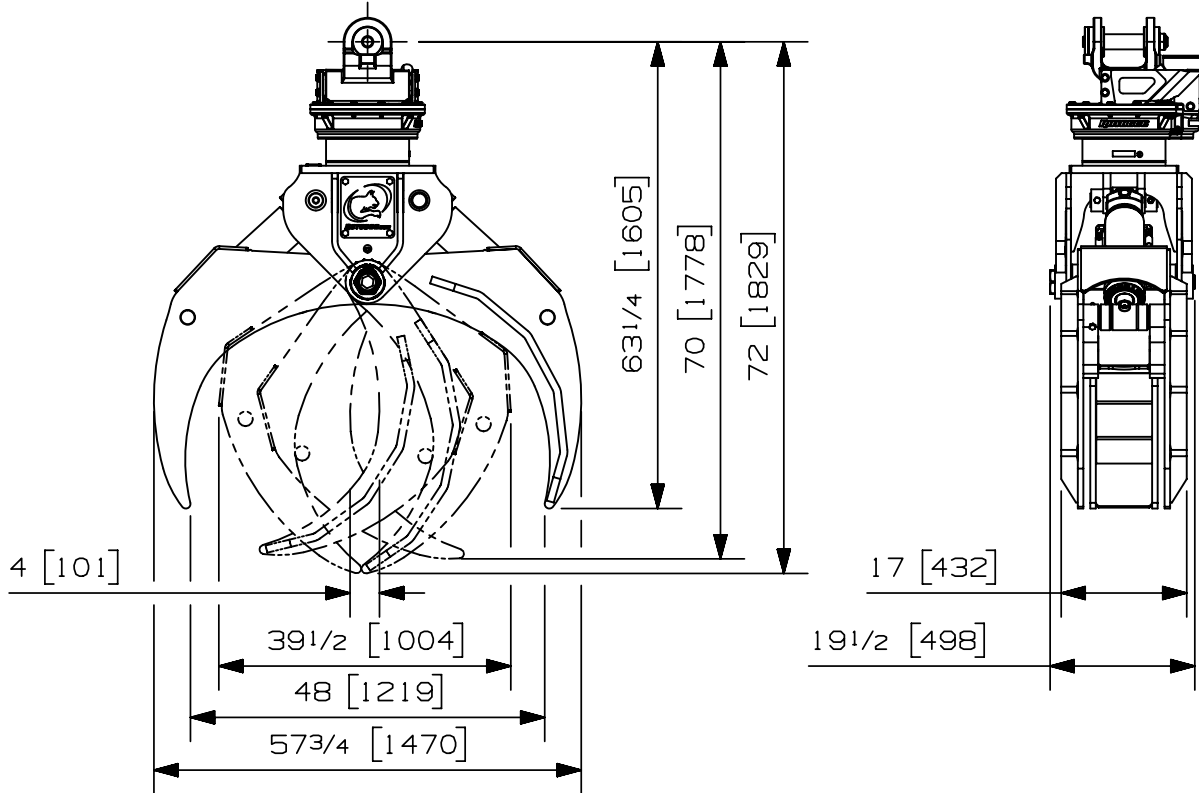


Max load:	- lb	- kg
Volume:	.19 cord of 8 ft	.69 m ³
Area tip to tip:	3.06 ft ²	.28 m ²
Rotator lifting capacity:	50000 lb	22680 kg
Torque at relief pressure:	15390 lb-in	1739 Nm
	1160 psi	80 bars
Weight:	1545 lb	701 kg

Rotator	Maximum pressure: 5000 psi 345 bars	Recommended flow: 9 gpm 34 l/min
Rotator recommended flow will produce a maximum speed of 25 rpm		

Cylinder	Diameter	Recommended pressure	Pressure range	Flow range	Lock valves
Standard	3 1/2 " (89 mm)	3750 psi (259 bars)	2500 - 5000 psi (172-345 bars)	15 - 23 gpm (57-87 l/min.)	Yes

Grapple cylinder maximum flow will theoretically produce a complete grapple open/close cycle in 4 seconds.



- Options:
- Head protector (40 lbs / 18 kg)
 - Log protection package, including shaft on jaw tips and protection strips on jaw edges (55 lbs / 25 kg)
 - Shaft on jaw tips to prevent log damage (n/a)
 - Impact protection relief valve (10 lbs / 5 kg)
 - Saw bundle 404 (saw included) (425 lbs / 193 kg)
 - Optional brush rake kit (985 lbs / 447 kg)
 - Saw bundle 750 (saw included) (670 lbs / 304 kg)

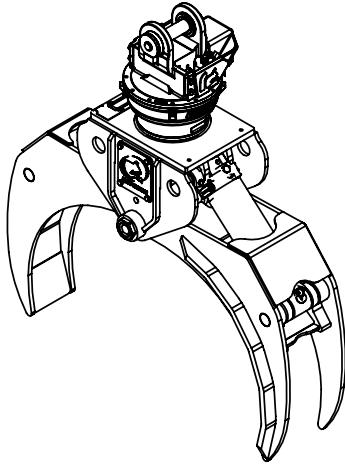
web site: www.rotobec.com

email: rotobec@rotobec.com

Rotobec Inc.: Head office serving OEM's and Eastern Canada Ph: (418) 383-3002 Fax: (418) 383-5334
Rotobec West: Branch serving Western Canada and Western USA Ph: (250) 765-1161 Fax: (250) 765-0035
Rotobec USA: Branch serving Eastern and Central USA Ph: (603) 444-2103 Fax: (603) 444-0327

We reserve the right to change specifications and to improve our products without notice or obligation.

07009-1436
08/07/2020 D.L.

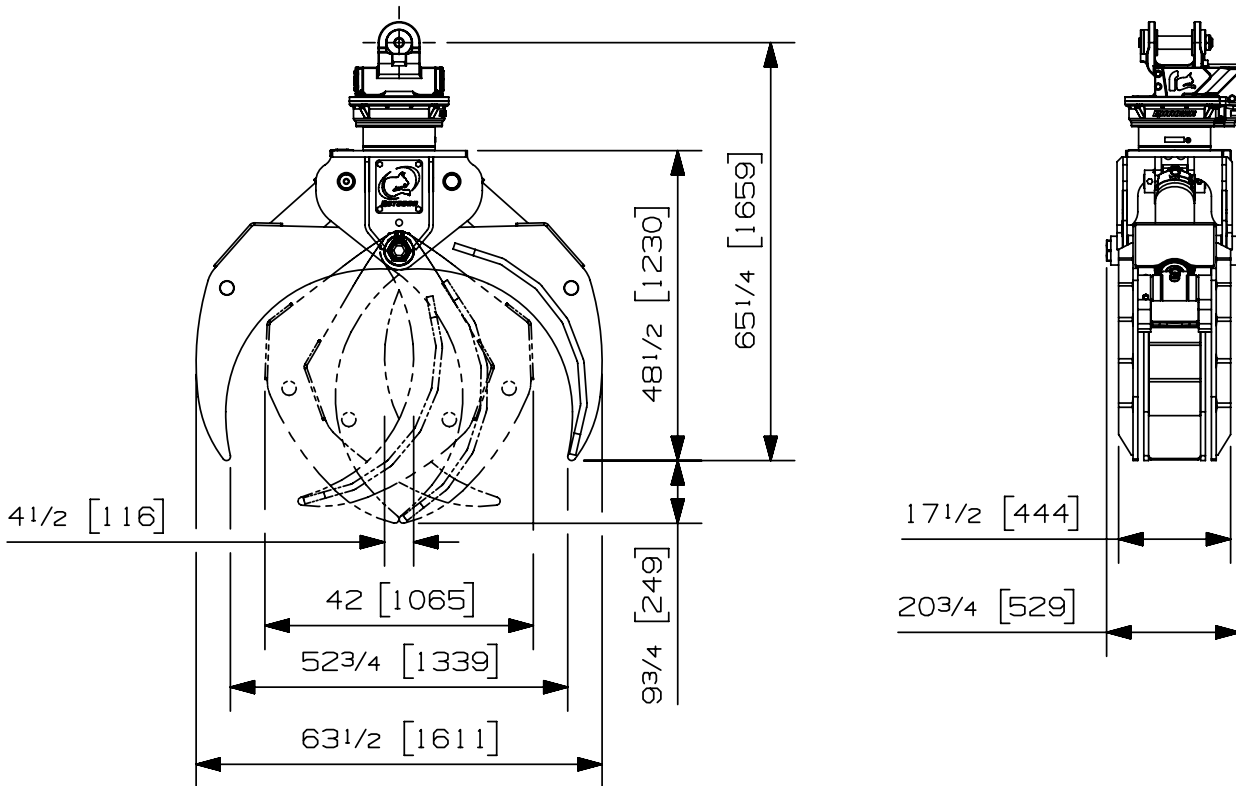


Max load:	n/a lb	n/a kg
Volume:	.23 cord of 8ft.	.83 m ³
Area tip to tip:	3.64 ft ²	.34 m ²
Rotator lifting capacity:	50000 lb	22680 kg
Torque at relief pressure:	14910 lb-in	1685 Nm
	1160 psi	80 bars
Weight:	1730 lb	785 kg

Rotator	Maximum pressure: 5000 psi 345 bars	Recommended flow: 9 gpm 34 l/min
Rotator recommended flow will produce a speed of 25 rpm		

Cylinder	Diameter	Recommended pressure	Pressure range	Flow range	Lock valves
Standard	4 " (102 mm)	3750 psi (259 bars)	2500-5000 psi (172-345 bars)	22-33 gpm (83-125 l/min.)	yes

Grapple cylinder maximum flow will theoretically produce a complete grapple open/close cycle in 4 seconds.

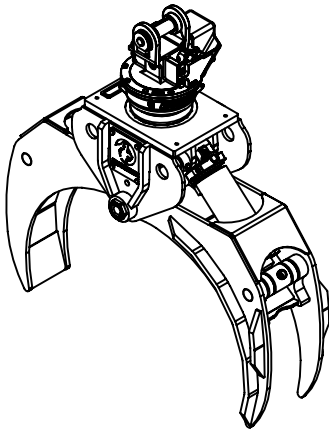


- Options:
- Log protection package, including shaft on jaw tips and protection strips on jaw edges. (60 lb / 27 kg)
 - Shaft on jaw tips to prevent log damage. (n/a)
 - Impact protection relief valve. (37 lb / 17 kg)
 - Saw bundle kit RGS-404 (426 lb/193 kg) or RGS-750 (663 lb/301 kg)
 - Optional brush rake kit (1240 lb / 560 kg)
 - Closed head option. (42 lb / 19 kg)

web site: www.rotobec.com

email: rotobec@rotobec.com

Rotobec Inc.: Head office serving OEM's and Eastern Canada Ph: (418) 383-3002 Fax: (418) 383-5334
Rotobec West: Branch serving Western Canada and Western USA Ph: (250) 765-1161 Fax: (250) 765-0035
Rotobec USA: Branch serving Eastern and Central USA Ph: (603) 444-2103 Fax: (603) 444-0327

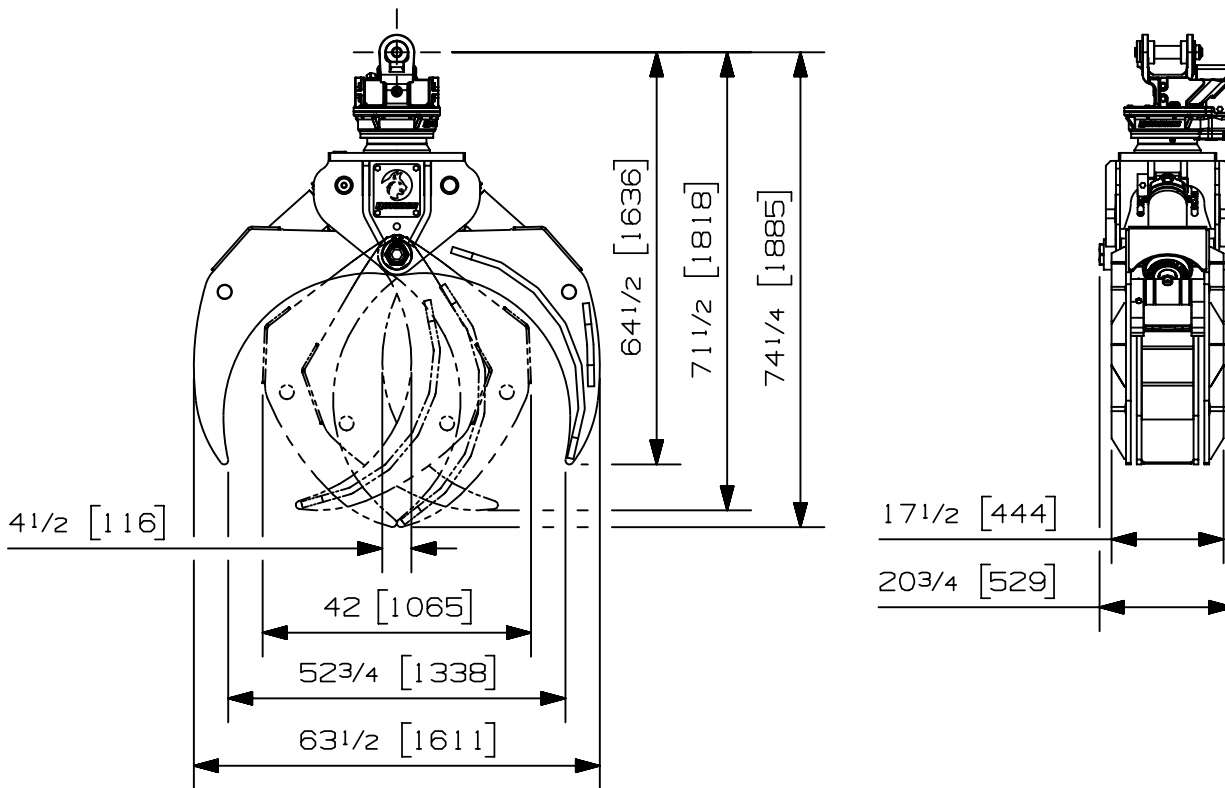


Max load:	- lb	- kg
Volume:	.23 cord of 8 ft	.82 m ³
Area tip to tip:	3.64 ft ²	.34 m ²
Rotator lifting capacity:	32000 lb	14515 kg
Torque at relief pressure:	13340 lb-in	1507 Nm
	1160 psi	80 bars
Weight:	1715 lb	778 kg

Rotator	Maximum pressure: 5000 psi 345 bars	Maximum flow: 9 gpm 34 l/min
Rotator recommended flow will produce a maximum speed of 30 rpm		

Cylinder	Diameter	Recommended pressure	Pressure range	Flow range	Lock valves
Standard	4 " (102 mm)	3750 psi (259 bars)	2500 - 5000 psi (172-345 bars)	22 - 33 gpm (83-125 l/min.)	Yes

Grapple cylinder maximum flow will theoretically produce a complete grapple open/close cycle in 4 seconds.



Options:

- Head Protector (40 lbs / 18 kg)
- Log Protection Package, including shaft on jaw tips and protection strips on jaw edges (100 lbs / 45 kg)
- Shaft on jaw tips to prevent log damage (n/a)
- Impact protection relief valve (10 lbs / 5 kg)
- Optional brush rake kit (1240 lbs / 562 kg)

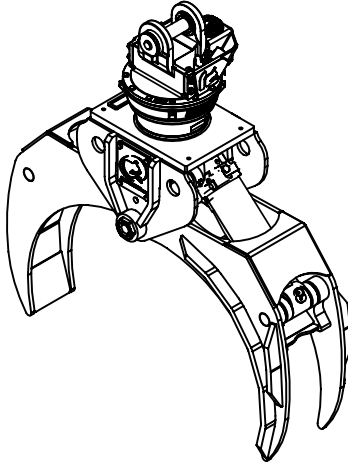
web site: www.rotobec.com

email: rotobec@rotobec.com

Rotobec Inc.: Head office serving OEM's and Eastern Canada Ph: (418) 383-3002 Fax: (418) 383-5334
Rotobec West: Branch serving Western Canada and Western USA Ph: (250) 765-1161 Fax: (250) 765-0035
Rotobec USA: Branch serving Eastern and Central USA Ph: (603) 444-2103 Fax: (603) 444-0327

We reserve the right to change specifications and to improve our products without notice or obligation.

07010-1651
07/06/2023 A.P.

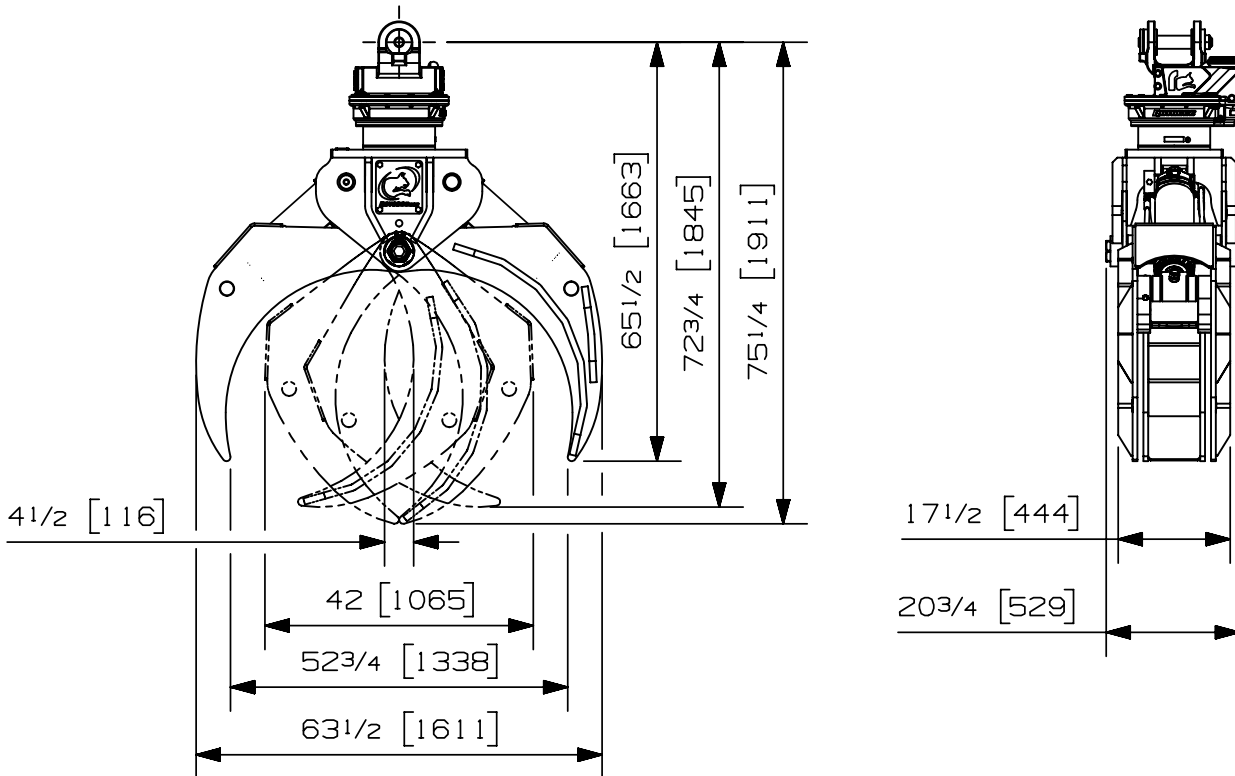


Max load:	- lb	- kg
Volume:	.23 cord of 8 ft	.82 m ³
Area tip to tip:	3.64 ft ²	.34 m ²
Rotator lifting capacity:	50000 lb	22680 kg
Torque at relief pressure:	15390 lb-in	1739 Nm
	1160 psi	80 bars
Weight:	1815 lb	823 kg

Rotator	Maximum pressure: 5000 psi 345 bars	Recommended flow: 9 gpm 34 l/min
Rotator recommended flow will produce a maximum speed of 25 rpm		

Cylinder	Diameter	Recommended pressure	Pressure range	Flow range	Lock valves
Standard	4 " (102 mm)	3750 psi (259 bars)	2500 - 5000 psi (172-345 bars)	22 - 33 gpm (83-125 l/min.)	Yes

Grapple cylinder maximum flow will theoretically produce a complete grapple open/close cycle in 4 seconds.

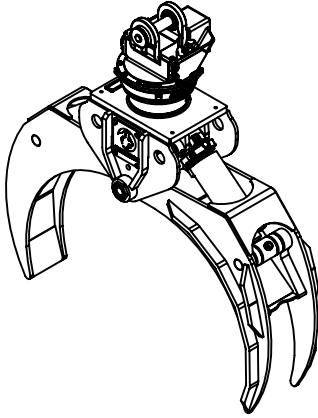


- Options:
- Head protector (40 lbs / 18 kg)
 - Log protection package, including shaft on jaw tips and protection strips on jaw edges (100 lbs / 45 kg)
 - Shaft on jaw tips to prevent log damage (n/a)
 - Impact protection relief valve (10 lbs / 5 kg)
 - Optional brush rake kit (1240 lbs / 562 kg)
 - Saw bundle 404 (saw included) (425 lbs / 193 kg)
 - Saw bundle 750 (saw included) (670 lbs / 304 kg)

web site: www.rotobec.com

email: rotobec@rotobec.com

Rotobec Inc.: Head office serving OEM's and Eastern Canada Ph: (418) 383-3002 Fax: (418) 383-5334
Rotobec West: Branch serving Western Canada and Western USA Ph: (250) 765-1161 Fax: (250) 765-0035
Rotobec USA: Branch serving Eastern and Central USA Ph: (603) 444-2103 Fax: (603) 444-0327

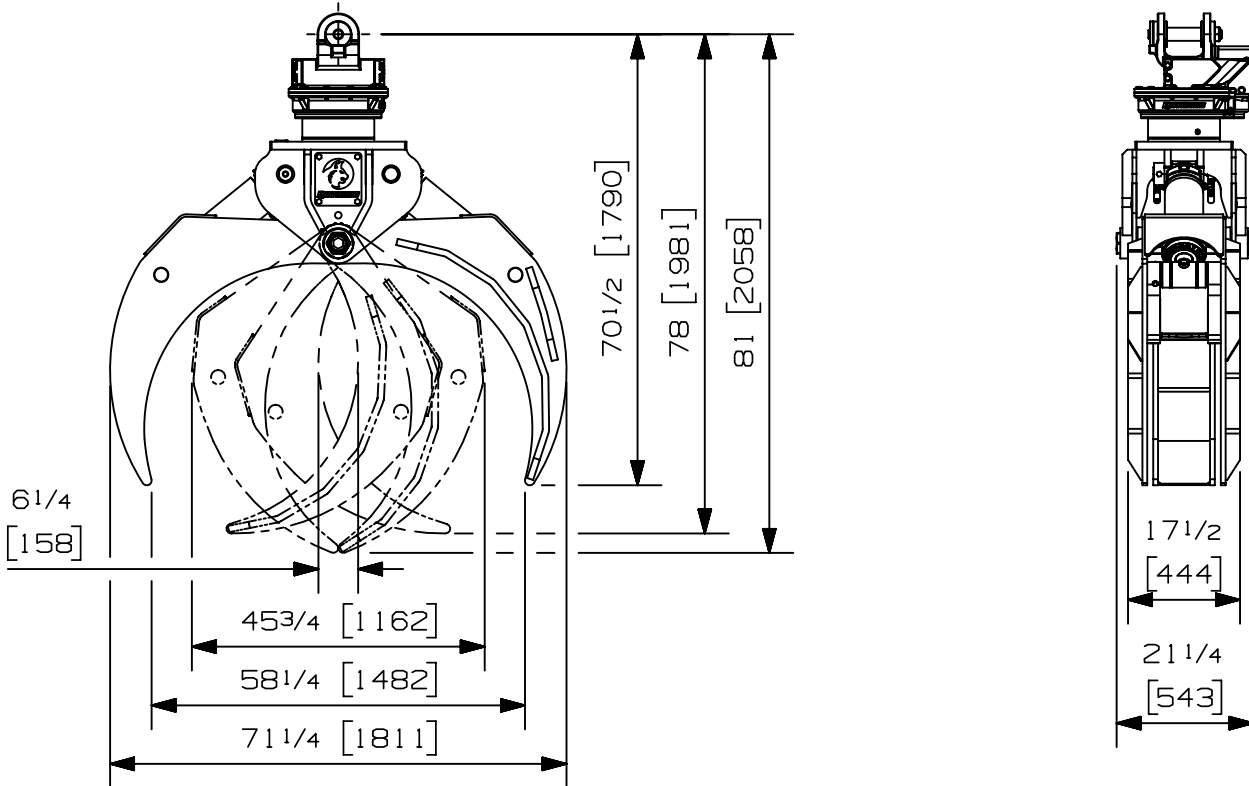


Max load:	- lb	- kg
Volume:	.32 cord of 8 ft	1.15 m ³
Area tip to tip:	5.08 ft ²	.47 m ²
Rotator lifting capacity:	50000 lb	22680 kg
Torque at relief pressure:	18630 lb-in	2105 Nm
	1450 psi	100 bars
Weight:	1930 lb	875 kg

Rotator	Maximum pressure: 5000 psi 345 bars	Recommended flow: 9 gpm 34 l/min
Rotator recommended flow will produce a maximum speed of 25 rpm		

Cylinder	Diameter	Recommended pressure	Pressure range	Flow range	Lock valves
Standard	4 " (102 mm)	3750 psi (259 bars)	2500 - 5000 psi (172-345 bars)	22 - 33 gpm (83-125 l/min.)	Yes

Grapple cylinder maximum flow will theoretically produce a complete grapple open/close cycle in 4 seconds.

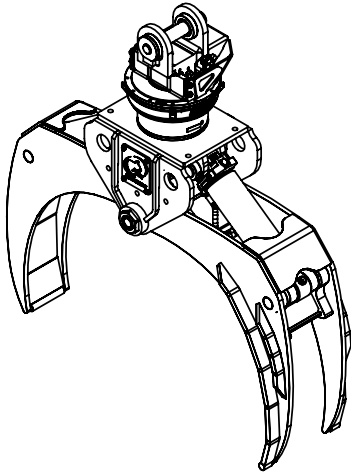


- Options:
- Head Protector (40 lbs / 18 kg)
 - Log Protection Package, including shaft on jaw tips and protection strips on jaw edges (N/A)
 - Shaft on jaw tips to prevent log damage (N/A)
 - Impact protection relief valve (10 lbs / 5 kg)
 - Optional brush rake kit (N/A)

web site: www.rotobec.com

email: rotobec@rotobec.com

Rotobec Inc.: Head office serving OEM's and Eastern Canada Ph: (418) 383-3002 Fax: (418) 383-5334
Rotobec West: Branch serving Western Canada and Western USA Ph: (250) 765-1161 Fax: (250) 765-0035
Rotobec USA: Branch serving Eastern and Central USA Ph: (603) 444-2103 Fax: (603) 444-0327

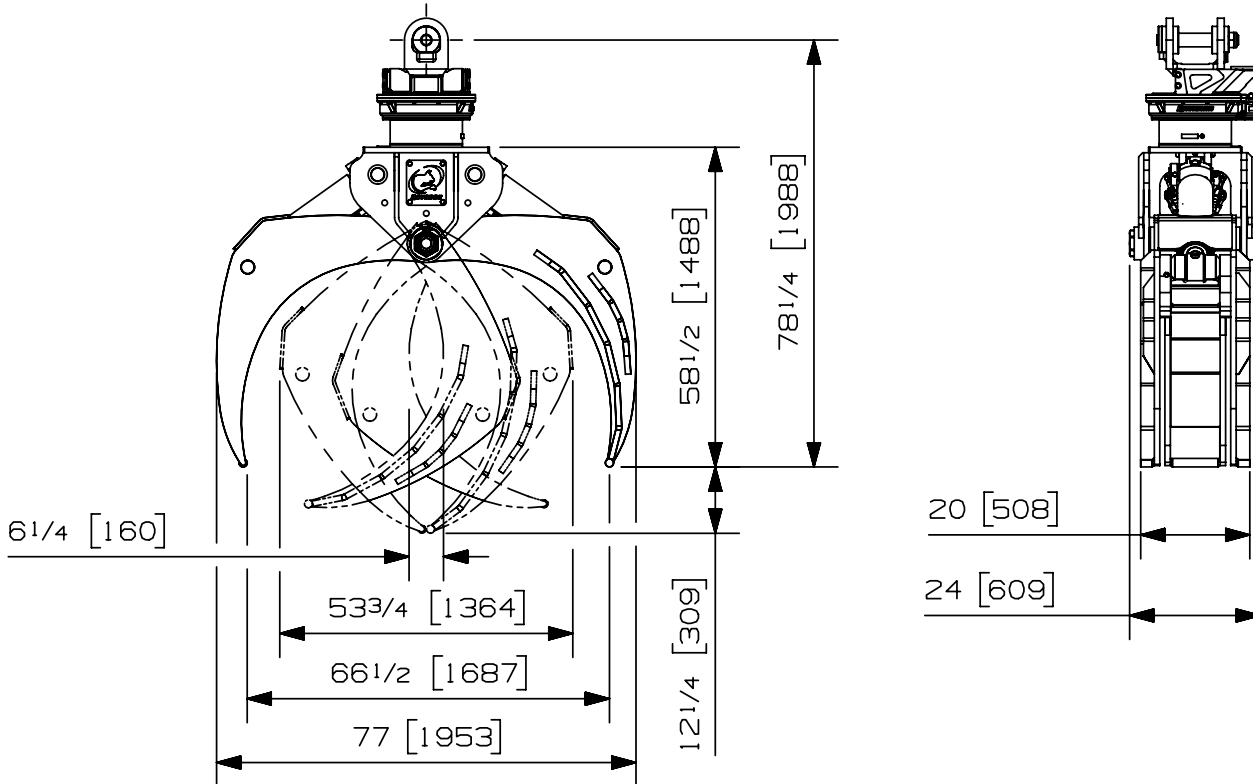


Max load:	n/a lb	n/a kg
Volume:	.38 cord of 8ft.	1.38 m ³
Area tip to tip:	6.16 ft ²	.57 m ²
Rotator lifting capacity:	100000 lb	45359 kg
Torque at relief pressure:	22360 lb-in	2526 Nm
	1450 psi	100 bars
Weight:	2715 lb	1232 kg

Rotator	Maximum pressure: 5000 psi 345 bars	Recommended flow: 8 gpm 30 l/min
Rotator recommended flow will produce a speed of 20 rpm		

Cylinder	Diameter	Recommended pressure	Pressure range	Flow range	Lock valves
Standard	4 1/2 " (114 mm)	3750 psi (259 bars)	2500-5000 psi (172-345 bars)	29-41 gpm (110-155 l/min.)	yes

Grapple cylinder maximum flow will theoretically produce a complete grapple open/close cycle in 5 seconds.



- Options:
- Log protection package, including shaft on jaw tips and protection strips on jaw edges. (81 lb / 37 kg)
 - Shaft on jaw tips to prevent log damage. (n/a)
 - Impact protection relief valve. (42 lb / 19 kg)
 - Closed head option. (58 lb / 27 kg)

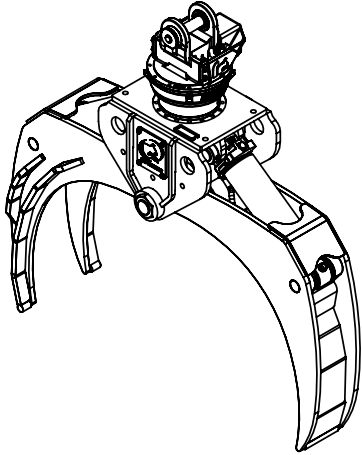
web site: www.rotobec.com

email: rotobec@rotobec.com

Rotobec Inc.: Head office serving OEM's and Eastern Canada Ph: (418) 383-3002 Fax: (418) 383-5334
Rotobec West: Branch serving Western Canada and Western USA Ph: (250) 765-1161 Fax: (250) 765-0035
Rotobec USA: Branch serving Eastern and Central USA Ph: (603) 444-2103 Fax: (603) 444-0327

We reserve the right to change specifications and to improve our products without notice or obligation.

07006-1766
20/09/16 **D.B.**

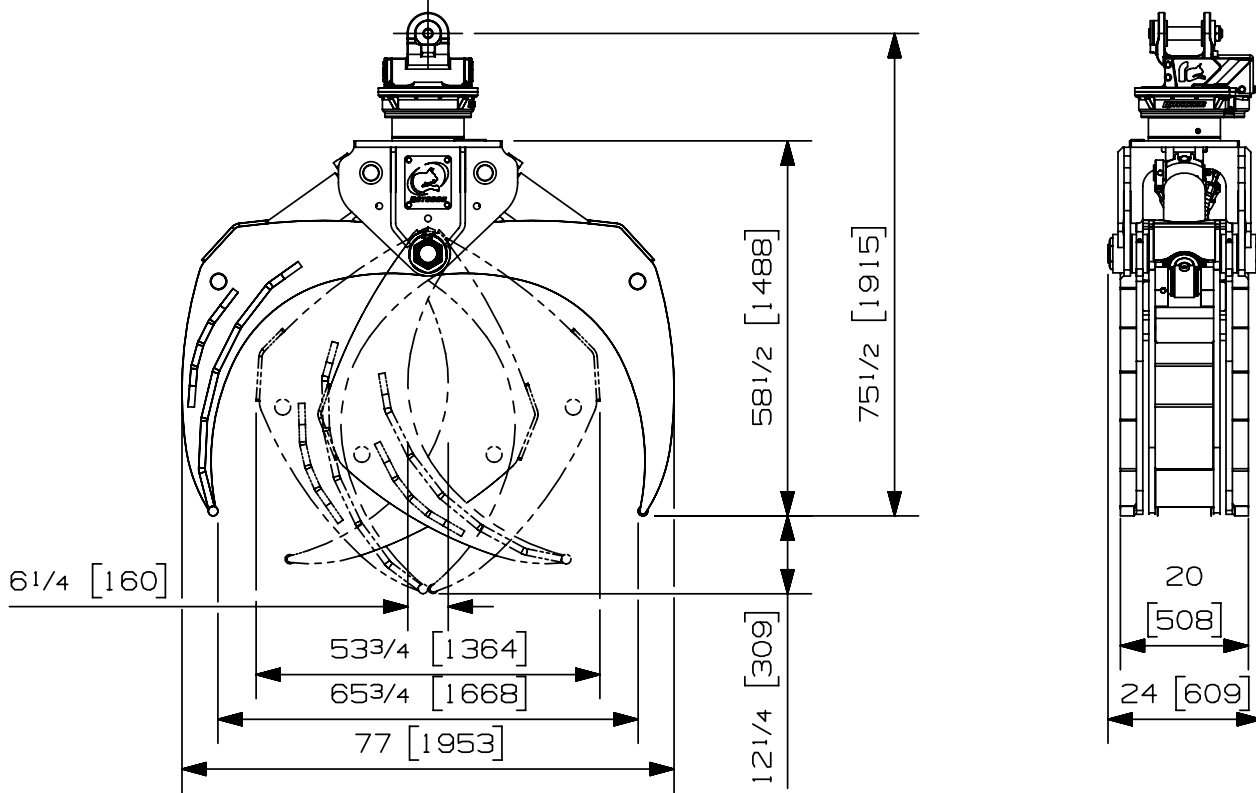


Max load:	n/a lb	n/a kg
Volume:	.38 cord of 8ft.	1.38 m ³
Area tip to tip:	6.16 ft ²	.57 m ²
Rotator lifting capacity:	50000 lb	22680 kg
Torque at relief pressure:	18630 lb-in	2105 Nm
	1450 psi	100 bars
Weight:	2480 lb	1125 kg

Rotator	Maximum pressure: 5000 psi 345 bars	Recommended flow: 9 gpm 34 l/min
Rotator recommended flow will produce a speed of 25 rpm		

Cylinder	Diameter	Recommended pressure	Pressure range	Flow range	Lock valves
Standard	4 1/2 " (114 mm)	3750 psi (259 bars)	2500-5000 psi (172-345 bars)	29-41 gpm (110-155 l/min.)	yes

Grapple cylinder maximum flow will theoretically produce a complete grapple open/close cycle in 5 seconds.



- Options:
- Log protection package, including shaft on jaw tips and protection strips on jaw edges. (81 lb / 37 kg)
 - Shaft on jaw tips to prevent log damage. (n/a)
 - Impact protection relief valve. (42 lb / 19 kg)
 - Closed head option. (58 lb / 27 kg)

web site: www.rotobec.com

email: rotobec@rotobec.com

Rotobec Inc.: Head office serving OEM's and Eastern Canada Ph: (418) 383-3002 Fax: (418) 383-5334
Rotobec West: Branch serving Western Canada and Western USA Ph: (250) 765-1161 Fax: (250) 765-0035
Rotobec USA: Branch serving Eastern and Central USA Ph: (603) 444-2103 Fax: (603) 444-0327