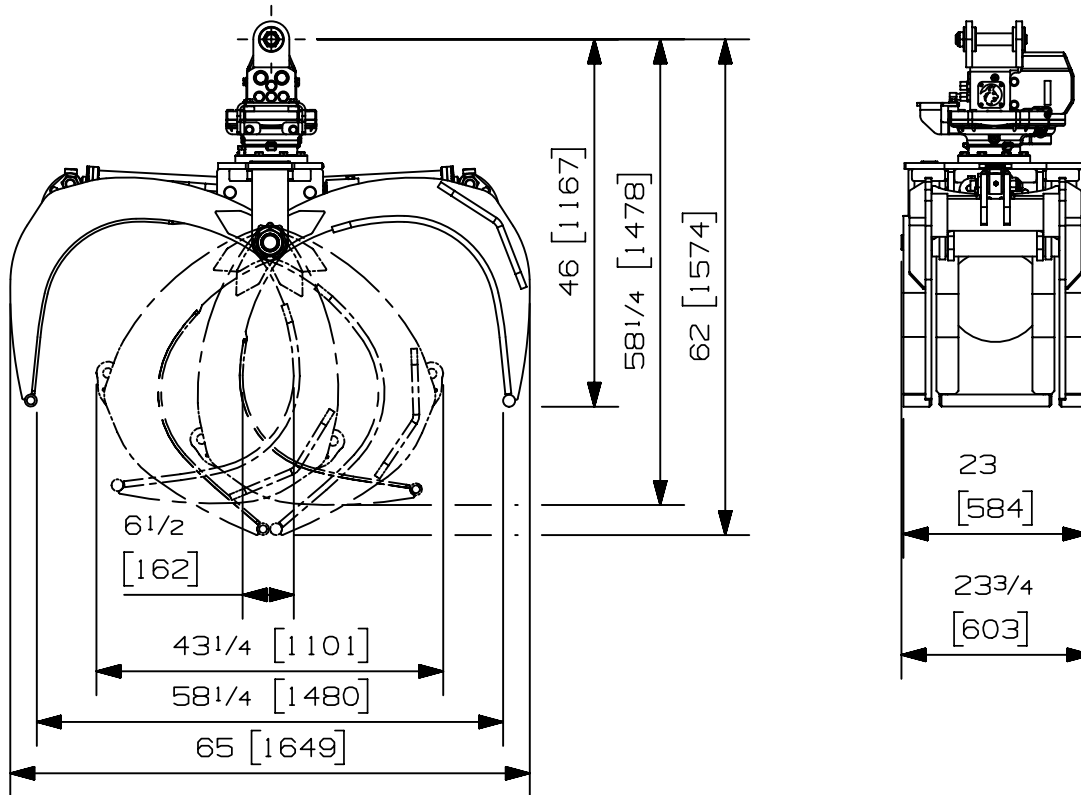


Max load:	- lb	- kg
Volume:	.28 cord of 8 ft	1.01 m <sup>3</sup>
Area tip to tip:	4.48 ft <sup>2</sup>	.42 m <sup>2</sup>
Rotator lifting capacity:	22000 lb	9979 kg
Torque at relief pressure:	10700 lb-in	1209 Nm
	913 psi	63 bars
Weight:	995 lb	451 kg

Rotator	Maximum pressure: 5000 psi	345 bars	Recommended flow: 10 gpm	38 l/min
Rotator recommended flow will produce a maximum speed of 30 rpm				

Cylinder	Diameter	Recommended pressure	Pressure range	Flow range	Lock valves
Standard	3 " (76 mm)	3400 psi (234 bars)	2800 - 4000 psi (193-276 bars)	11 - 16 gpm (42-61 l/min.)	Yes

Grapple cylinder maximum flow will theoretically produce a complete grapple open/close cycle in 4 seconds.



Options:

- 
- 
- 
- 

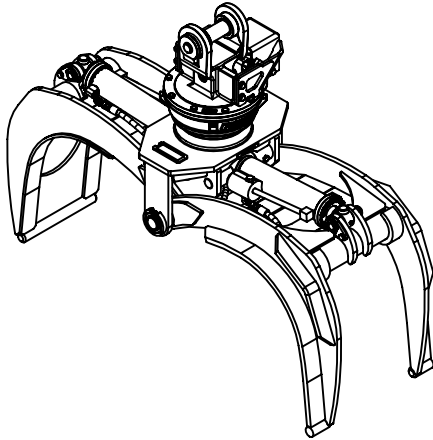
web site: [www.rotobec.com](http://www.rotobec.com)

email: [rotobec@rotobec.com](mailto:rotobec@rotobec.com)

Rotobec Inc.: Head office serving OEM's and Eastern Canada Ph: (418) 383-3002 Fax: (418) 383-5334  
 Rotobec West: Branch serving Western Canada and Western USA Ph: (250) 765-1161 Fax: (250) 765-0035  
 Rotobec USA: Branch serving Eastern and Central USA Ph: (603) 444-2103 Fax: (603) 444-0327

We reserve the right to change specifications and to improve our products without notice or obligation.

07010-5233  
05/01/2022 D.L.

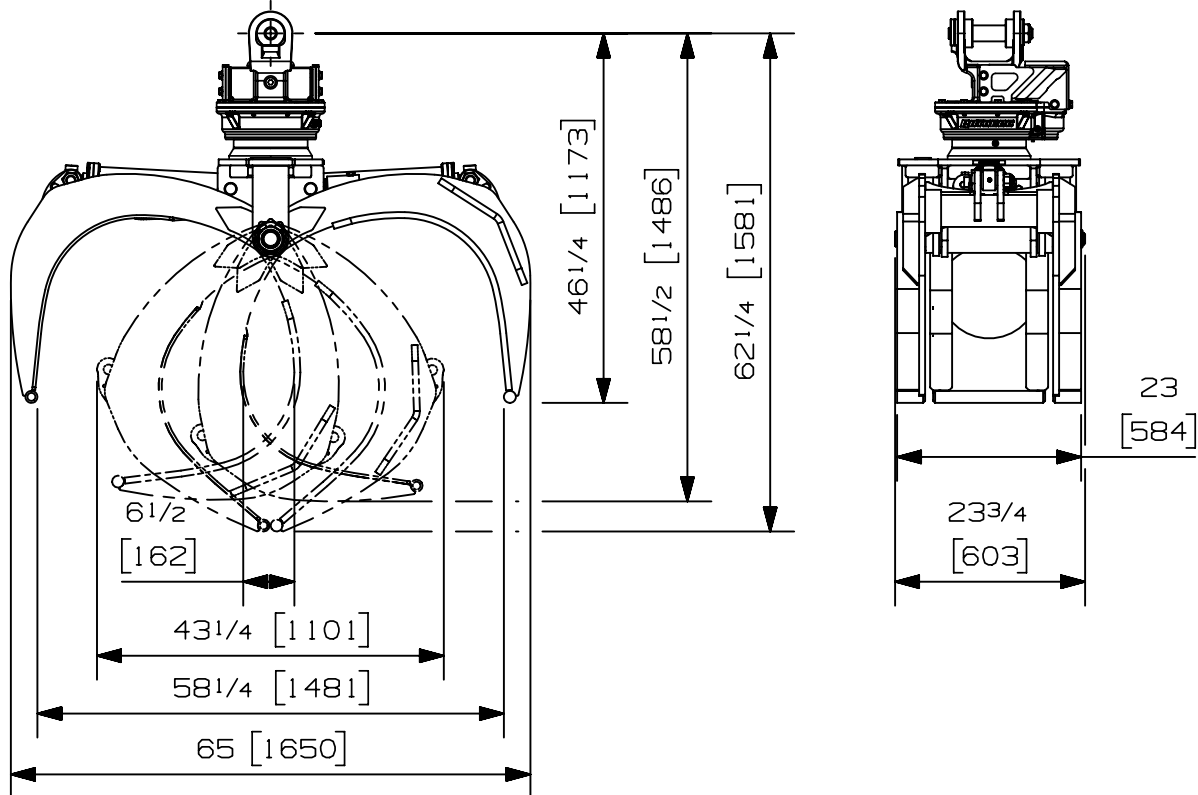


<b>Max load:</b>	- lb	- kg
<b>Volume:</b>	.28 cord of 8 ft	1.01 m <sup>3</sup>
<b>Area tip to tip:</b>	4.48 ft <sup>2</sup>	.42 m <sup>2</sup>
<b>Rotator lifting capacity:</b>	32000 lb	14515 kg
<b>Torque at relief pressure:</b>	12920 lb-in	1460 Nm
	1160 psi	80 bars
<b>Weight:</b>	1080 lb	490 kg

<b>Rotator</b>	<b>Maximum pressure:</b> 5000 psi    345 bars	<b>Recommended flow:</b> 9 gpm    34 l/min
Rotator recommended flow will produce a maximum speed of 30 rpm		

Cylinder	Diameter	Recommended pressure	Pressure range	Flow range	Lock valves
Standard	3 " (76 mm)	3400 psi (234 bars)	2800 - 4000 psi (193-276 bars)	11 - 16 gpm (42-61 l/min.)	Yes

Grapple cylinder maximum flow will theoretically produce a complete grapple open/close cycle in 4 seconds.



Options:

- 
- 
- 
- 

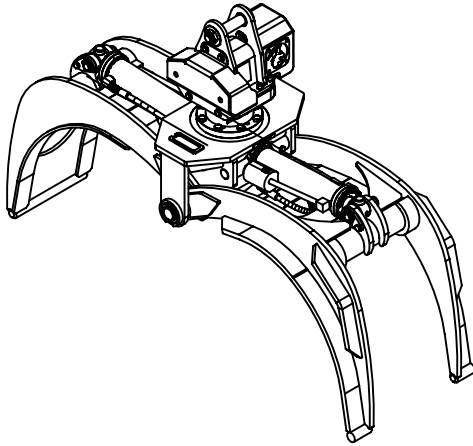
web site: [www.rotobec.com](http://www.rotobec.com)

email: [rotobec@rotobec.com](mailto:rotobec@rotobec.com)

**Rotobec Inc.:** Head office serving OEM's and Eastern Canada    Ph: (418) 383-3002 Fax: (418) 383-5334  
**Rotobec West:** Branch serving Western Canada and Western USA    Ph: (250) 765-1161 Fax: (250) 765-0035  
**Rotobec USA:** Branch serving Eastern and Central USA    Ph: (603) 444-2103 Fax: (603) 444-0327

We reserve the right to change specifications and to improve our products without notice or obligation.

07009-7544  
21/01/20

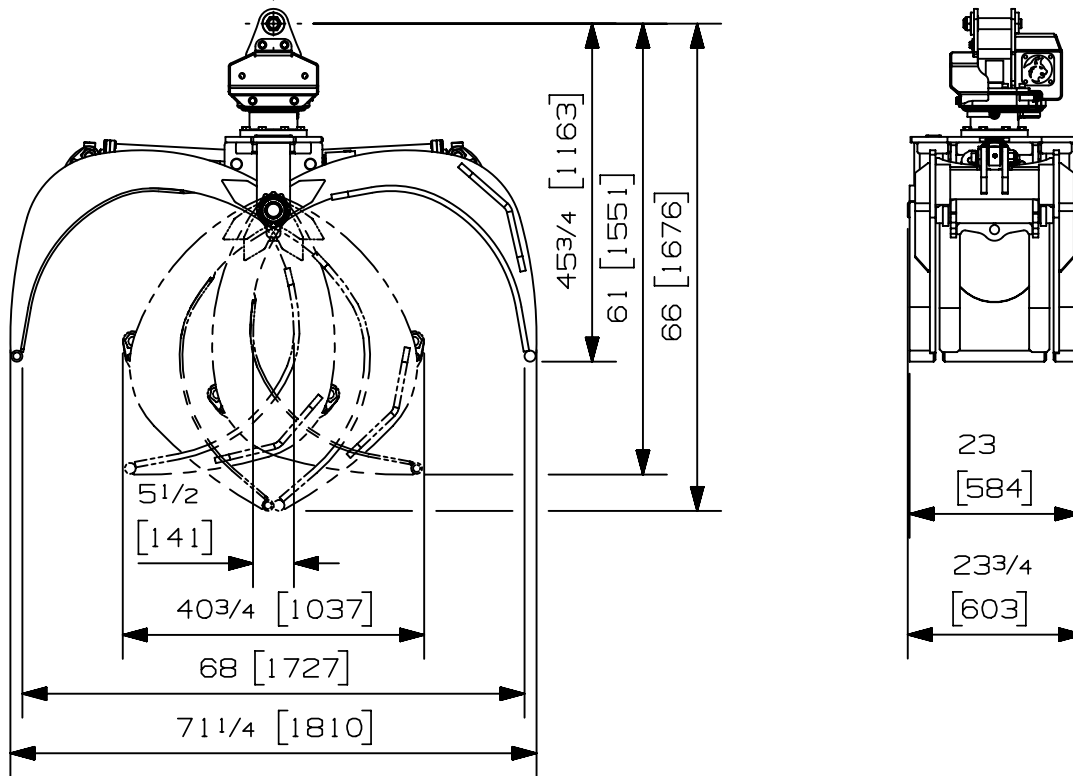


Max load:	- lb	- kg
Volume:	.28 cord of 8 ft	1.00 m <sup>3</sup>
Area tip to tip:	4.40 ft <sup>2</sup>	.41 m <sup>2</sup>
Rotator lifting capacity:	14000 lb	6350 kg
Torque at relief pressure:	8450 lb-in	955 Nm
	913 psi	63 bars
Weight:	985 lb	447 kg

Rotator	Maximum pressure: 5000 psi    345 bars	Recommended flow: 8 gpm    30 l/min
Rotator recommended flow will produce a maximum speed of 30 rpm		

Cylinder	Diameter	Recommended pressure	Pressure range	Flow range	Lock valves
Standard	3 " (76 mm)	3400 psi (234 bars)	2800 - 4000 psi (193-276 bars)	11 - 16 gpm (42-61 l/min.)	Yes

Grapple cylinder maximum flow will theoretically produce a complete grapple open/close cycle in 4 seconds.



Options:

- 
- 
- 
- 

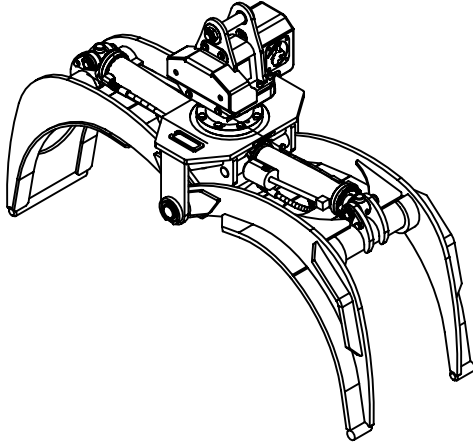
web site: [www.rotobec.com](http://www.rotobec.com)

email: [rotobec@rotobec.com](mailto:rotobec@rotobec.com)

Rotobec Inc.: Head office serving OEM's and Eastern Canada    Ph: (418) 383-3002 Fax: (418) 383-5334  
 Rotobec West: Branch serving Western Canada and Western USA    Ph: (250) 765-1161 Fax: (250) 765-0035  
 Rotobec USA: Branch serving Eastern and Central USA    Ph: (603) 444-2103 Fax: (603) 444-0327

We reserve the right to change specifications and to improve our products without notice or obligation.

07010-4045  
14/07/22 D.L.

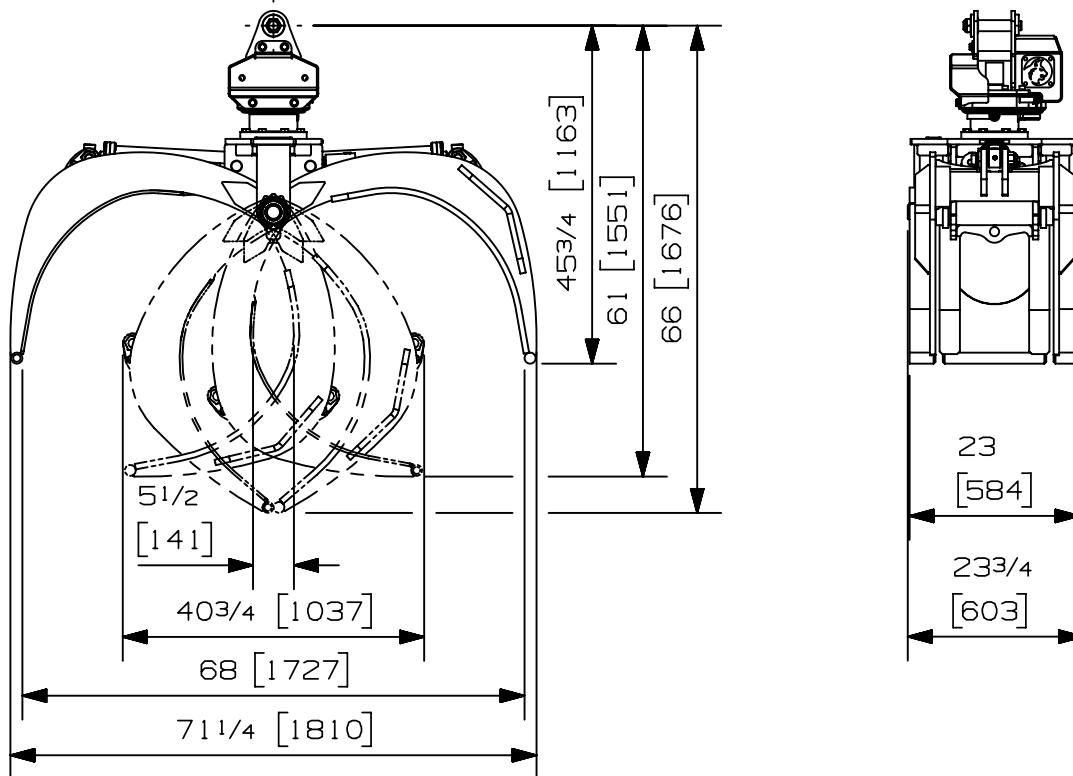


Charge max:	- lb	- kg
Volume:	.28 corde de 8 pi	1.00 m <sup>3</sup>
Aire pointe à pointe:	4.40 pi <sup>2</sup>	.41 m <sup>2</sup>
Capacité de levage du rotateur:	14000 lb	6350 kg
Couple à la pression régulée:	8450 lb-po	955 Nm
	913 psi	63 bars
Poids:	985 lb	447 kg

Rotateur	Pression maximum: 5000 psi    345 bars	Débit recommandé: 8 gpm    30 l/min
Le débit recommandé, pour la rotation générera une vitesse maximum de 30 rpm		

Cylindre	Diametre	Pression Recommandé	Plage de Pression	Plage de débit	Soupape retenue
Standard	3 " (76 mm)	3400 psi (234 bars)	2800 - 4000 psi (193-276 bars)	11 - 16 gpm (42-61 l/min.)	Oui

Le débit maximum pour les cylindres du grappin générera théoriquement un cycle ouvert/fermer en 4 secondes.



Options:

- 
- 
- 
- 

site web: [www.rotobec.com](http://www.rotobec.com)

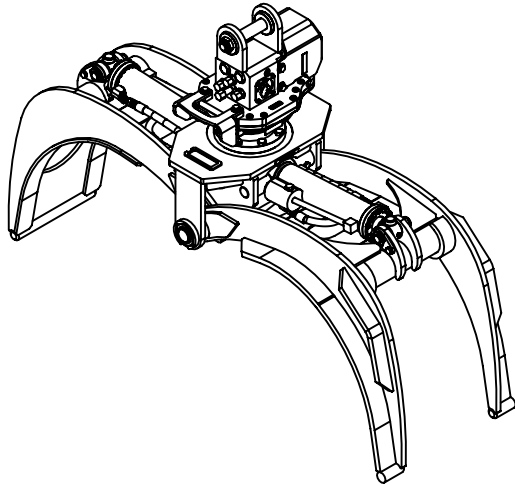
courriel: [rotobec@rotobec.com](mailto:rotobec@rotobec.com)

**Rotobec Inc.:** Bureau chef desservant l'est du Canada et les Manufacturiers d'équipement d'origine  
**Rotobec West:** Filiale desservant l'Ouest du Canada et des États-Unis  
**Rotobec USA:** Filiale desservant l'Est et le Centre des États-Unis

Tél: (418) 383-3002 Fax: (418) 383-5334  
 Tél: (250) 765-1161 Fax: (250) 765-0035  
 Tél: (603) 444-2103 Fax: (603) 444-0327

Nous nous réservons le droit de modifier nos spécifications et d'améliorer nos produits sans autres avis ou obligations.

07010-4045  
 14/07/22 D.L.

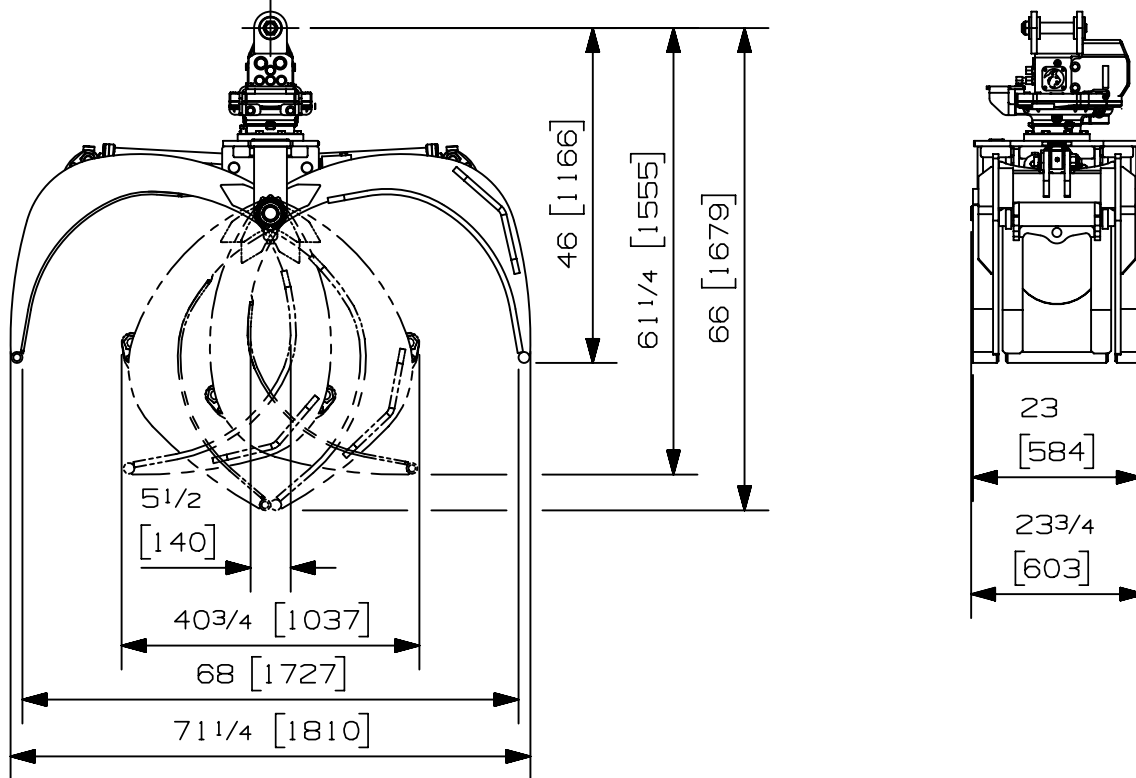


<b>Max load:</b>	- lb	- kg
<b>Volume:</b>	.28 cord of 8 ft	1.00 m <sup>3</sup>
<b>Area tip to tip:</b>	4.40 ft <sup>2</sup>	.41 m <sup>2</sup>
<b>Rotator lifting capacity:</b>	22000 lb	9979 kg
<b>Torque at relief pressure:</b>	10700 lb-in	1209 Nm
	913 psi	63 bars
<b>Weight:</b>	1005 lb	456 kg

<b>Rotator</b>	<b>Maximum pressure:</b> 5000 psi    345 bars	<b>Recommended flow:</b> 10 gpm    38 l/min
Rotator recommended flow will produce a maximum speed of 30 rpm		

Cylinder	Diameter	Recommended pressure	Pressure range	Flow range	Lock valves
Standard	3 " (76 mm)	3400 psi (234 bars)	2800 - 4000 psi (193-276 bars)	11 - 16 gpm (42-61 l/min.)	Yes

Grapple cylinder maximum flow will theoretically produce a complete grapple open/close cycle in 4 seconds.



Options:

- 
- 
- 
- 

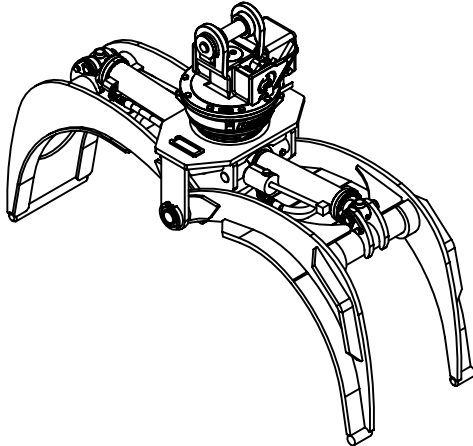
web site: [www.rotobec.com](http://www.rotobec.com)

email: [rotobec@rotobec.com](mailto:rotobec@rotobec.com)

**Rotobec Inc.:** Head office serving OEM's and Eastern Canada    Ph: (418) 383-3002 Fax: (418) 383-5334  
**Rotobec West:** Branch serving Western Canada and Western USA    Ph: (250) 765-1161 Fax: (250) 765-0035  
**Rotobec USA:** Branch serving Eastern and Central USA    Ph: (603) 444-2103 Fax: (603) 444-0327

We reserve the right to change specifications and to improve our products without notice or obligation.

07008-9706  
05/01/2022 D.L.

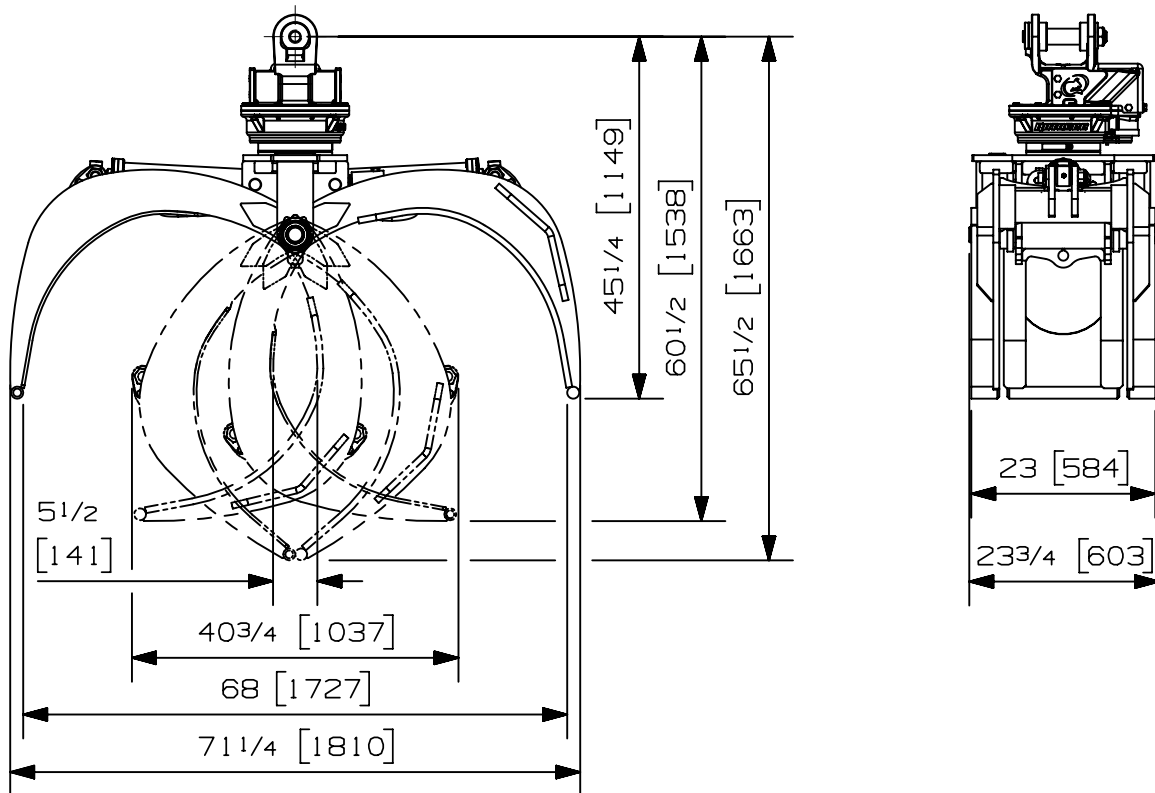


Max load:	n/a lb	n/a kg
Volume:	n/a y <sup>3</sup>	n/a m <sup>3</sup>
Area tip to tip:	4.40 ft <sup>2</sup>	.41 m <sup>2</sup>
Rotator lifting capacity:	25000 lb	11340 kg
Torque at relief pressure:	16150 lb-in 1450 psi	1825 Nm 100 bars
Weight:	1055 lb	479 kg

Rotator	Maximum pressure: 5000 psi    345 bars	Recommended flow: 9 gpm    34 l/min
Rotator recommended flow will produce a maximum speed of 30 rpm		

Cylinder	Diameter	Recommended pressure	Pressure range	Flow range	Lock valves
Standard	3 " (76 mm)	3250 psi (224 bars)	2800-4000 psi (193-276 bars)	11-16 gpm (42-61 l/min.)	oui

Grapple cylinder maximum flow will theoretically produce a complete grapple open/close cycle in 4 seconds.



Options:

- 
- 
- 
- 

web site: [www.rotobec.com](http://www.rotobec.com)

email: [rotobec@rotobec.com](mailto:rotobec@rotobec.com)

Rotobec Inc.: Head office serving OEM's and Eastern Canada    Ph: (418) 383-3002 Fax: (418) 383-5334  
 Rotobec West: Branch serving Western Canada and Western USA    Ph: (250) 765-1161 Fax: (250) 765-0035  
 Rotobec USA: Branch serving Eastern and Central USA    Ph: (603) 444-2103 Fax: (603) 444-0327