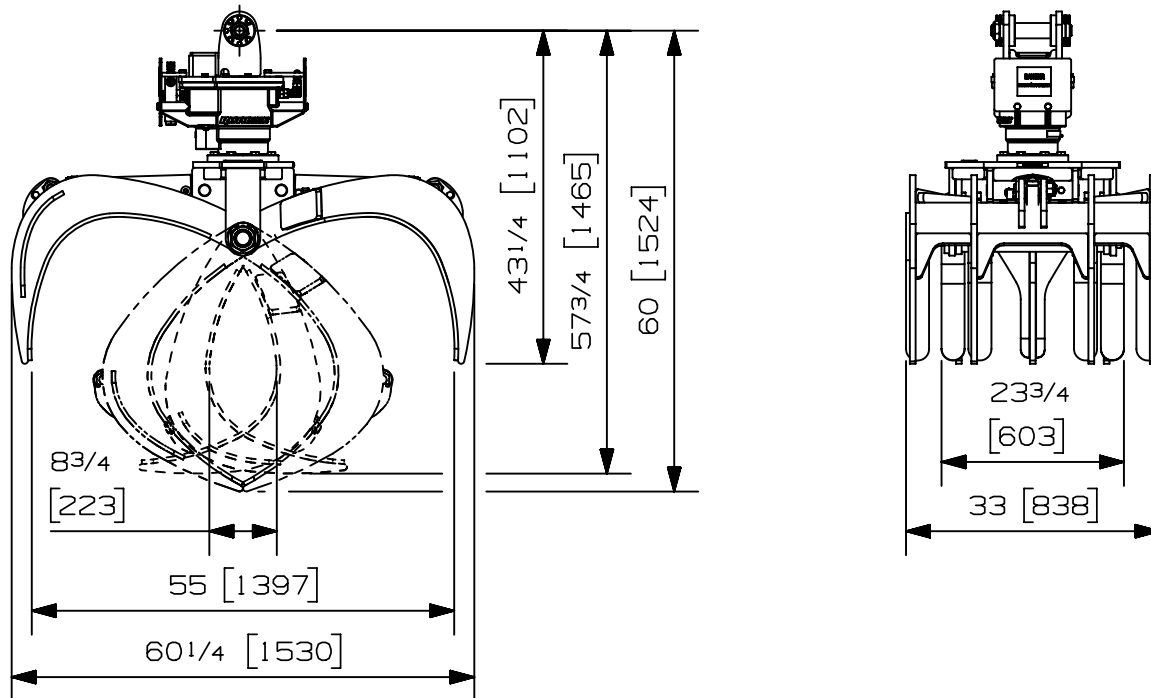


Max load:	- lb	- kg
Volume:	.50 y <sup>3</sup>	.38 m <sup>3</sup>
Area tip to tip:	3.25 ft <sup>2</sup>	.30 m <sup>2</sup>
Rotator lifting capacity:	18000 lb	8165 kg
Torque at relief pressure:	8450 lb-in	955 Nm
	913 psi	63 bars
Weight:	1120 lb	508 kg

Rotator	Maximum pressure: 4000 psi	276 bars	Recommended flow: 8 gpm	30 l/min
Rotator recommended flow will produce a maximum speed of 30 rpm				

Cylinder	Diameter	Recommended pressure	Pressure range	Flow range	Lock valves
Standard	3 1/2 " (89 mm)	2350 psi (162 bars)	2000 - 2700 psi (138-186 bars)	16 - 24 gpm (61-91 l/min.)	No
Standard	3 " (76 mm)	3250 psi (224 bars)	2800 - 3700 psi (193-255 bars)	11 - 16 gpm (42-61 l/min.)	No
Standard	3 " (76 mm)	3250 psi (224 bars)	2800 - 3700 psi (193-255 bars)	11 - 16 gpm (42-61 l/min.)	Yes

Grapple cylinder maximum flow will theoretically produce a complete grapple open/close cycle in 4 seconds.



Options:

- 
- 
- 
- 

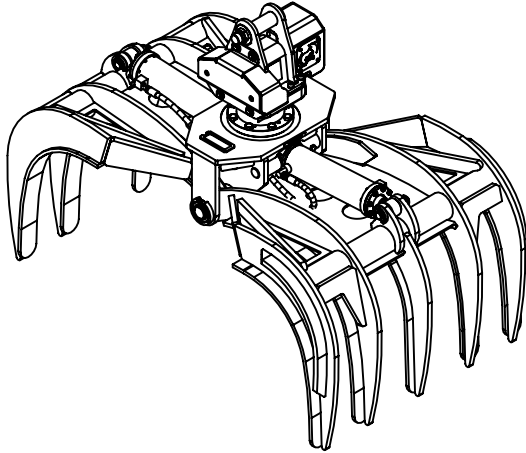
web site: [www.rotobec.com](http://www.rotobec.com)

email: [rotobec@rotobec.com](mailto:rotobec@rotobec.com)

Rotobec Inc.: Head office serving OEM's and Eastern Canada Ph: (418) 383-3002 Fax: (418) 383-5334  
 Rotobec West: Branch serving Western Canada and Western USA Ph: (250) 765-1161 Fax: (250) 765-0035  
 Rotobec USA: Branch serving Eastern and Central USA Ph: (603) 444-2103 Fax: (603) 444-0327

We reserve the right to change specifications and to improve our products without notice or obligation.

07010-1004  
 16/07/20 E.B.L.

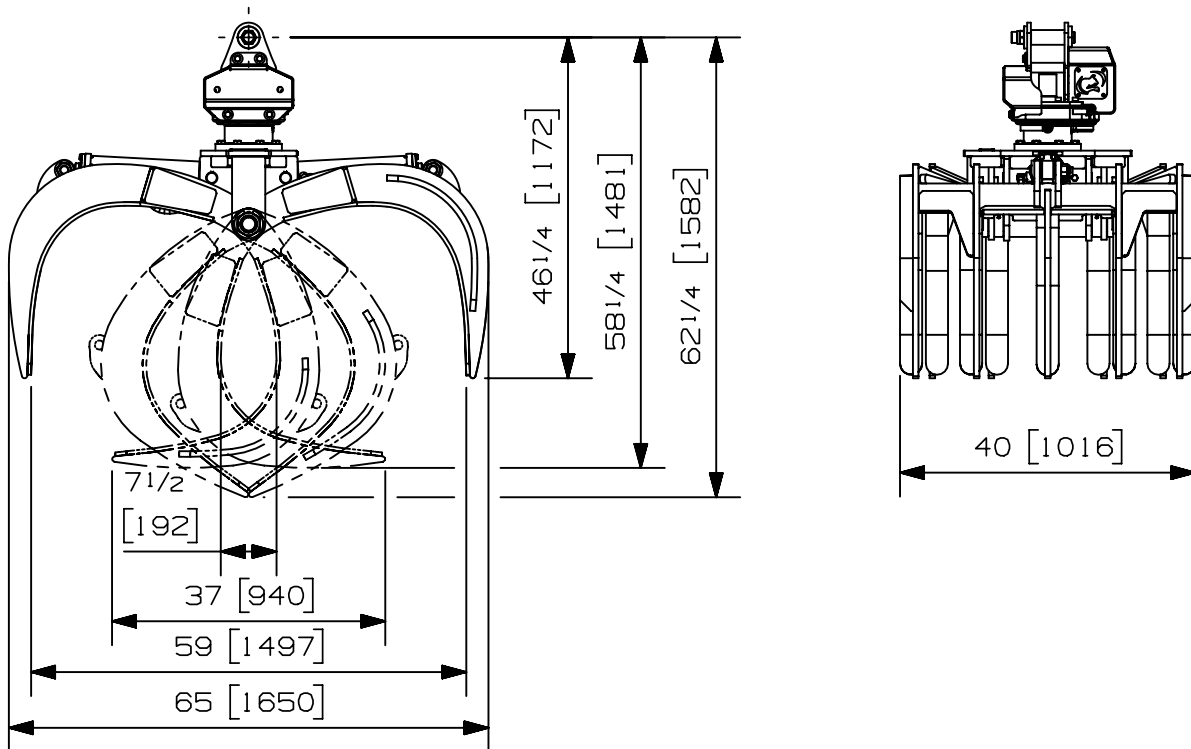


<b>Max load:</b>	n/a lb	n/a kg
<b>Volume:</b>	.80 y <sup>3</sup>	0.61 m <sup>3</sup>
<b>Area tip to tip:</b>	4.28 ft <sup>2</sup>	.40 m <sup>2</sup>
<b>Rotator lifting capacity:</b>	14000 lb	6350 kg
<b>Torque at relief pressure:</b>	8450 lb-in	955 Nm
	913 psi	63 bars
<b>Weight:</b>	1360 lb	617 kg

<b>Rotator</b>	<b>Maximum pressure:</b> 5000 psi    345 bars	<b>Recommended flow:</b> 8 gpm    30 l/min
Rotator recommended flow will produce a speed of 30 rpm		

Cylinder	Diameter	Recommended pressure	Pressure range	Flow range	Lock valves
Standard	3 1/2 " (89 mm)	2350 psi (162 bars)	2000-2700 psi (138-186 bars)	16-24 gpm (61-91 l/min.)	no
Optional	3 " (76 mm)	3250 psi (224 bars)	2800-3700 psi (193-255 bars)	11-16 gpm (42-61 l/min.)	no

Grapple cylinder maximum flow will theoretically produce a complete grapple open/close cycle in 4 seconds.



Options:

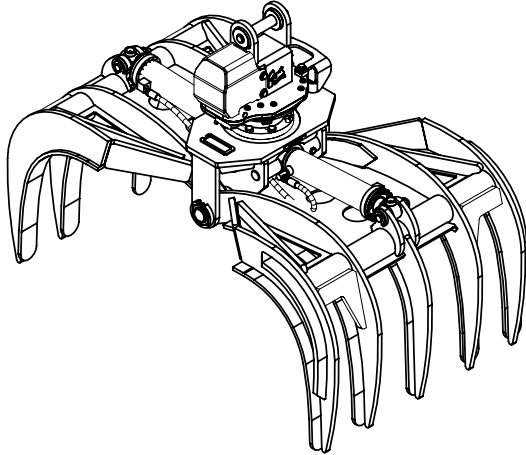
- 
- 
- 
- 

web site: [www.rotobec.com](http://www.rotobec.com)

email: [rotobec@rotobec.com](mailto:rotobec@rotobec.com)

**Rotobec Inc.:** Head office serving OEM's and Eastern Canada    Ph: (418) 383-3002 Fax: (418) 383-5334  
**Rotobec West:** Branch serving Western Canada and Western USA    Ph: (250) 765-1161 Fax: (250) 765-0035  
**Rotobec USA:** Branch serving Eastern and Central USA    Ph: (603) 444-2103 Fax: (603) 444-0327

We reserve the right to change specifications and to improve our products without notice or obligation.

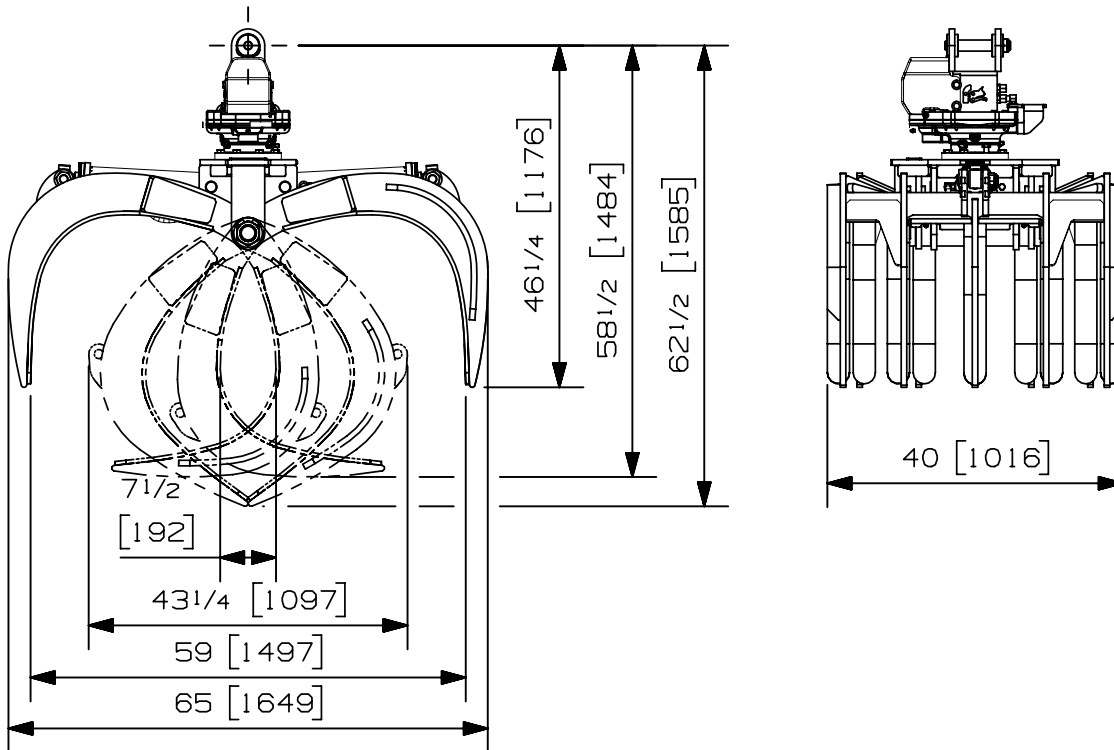


<b>Max load:</b>	n/a lb	n/a kg
<b>Volume:</b>	.80 y <sup>3</sup>	.61 m <sup>3</sup>
<b>Area tip to tip:</b>	4.28 ft <sup>2</sup>	.40 m <sup>2</sup>
<b>Rotator lifting capacity:</b>	22000 lb	9979 kg
<b>Torque at relief pressure:</b>	10700 lb-in 913 psi	1209 Nm 63 bars
<b>Weight:</b>	1380 lb	626 kg

<b>Rotator</b>	<b>Maximum pressure:</b> 5000 psi    345 bars	<b>Recommended flow:</b> 10 gpm    38 l/min
Rotator recommended flow will produce a maximum speed of 30 rpm		

Cylinder	Diameter	Recommended pressure	Pressure range	Flow range	Lock valves
Standard	3 1/2 " (89 mm)	2350 psi (162 bars)	2000-2700 psi (138-186 bars)	16-24 gpm (61-91 l/min.)	no
Optional	3 " (76 mm)	3250 psi (224 bars)	2800-3700 psi (193-255 bars)	11-16 gpm (42-61 l/min.)	no

Grapple cylinder maximum flow will theoretically produce a complete grapple open/close cycle in 4 seconds.



Options:

- 
- 
- 
- 

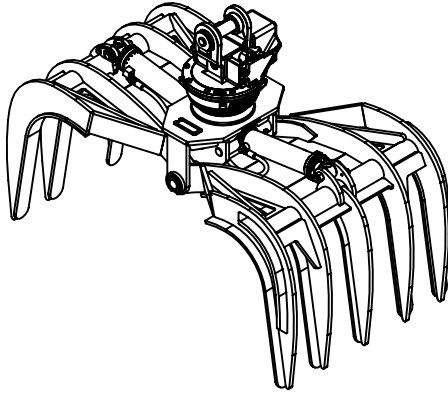
web site: [www.rotobec.com](http://www.rotobec.com)

email: [rotobec@rotobec.com](mailto:rotobec@rotobec.com)

**Rotobec Inc.:** Head office serving OEM's and Eastern Canada    Ph: (418) 383-3002 Fax: (418) 383-5334  
**Rotobec West:** Branch serving Western Canada and Western USA    Ph: (250) 765-1161 Fax: (250) 765-0035  
**Rotobec USA:** Branch serving Eastern and Central USA    Ph: (603) 444-2103 Fax: (603) 444-0327

We reserve the right to change specifications and to improve our products without notice or obligation.

07002-7577  
06/12/18 D.L.

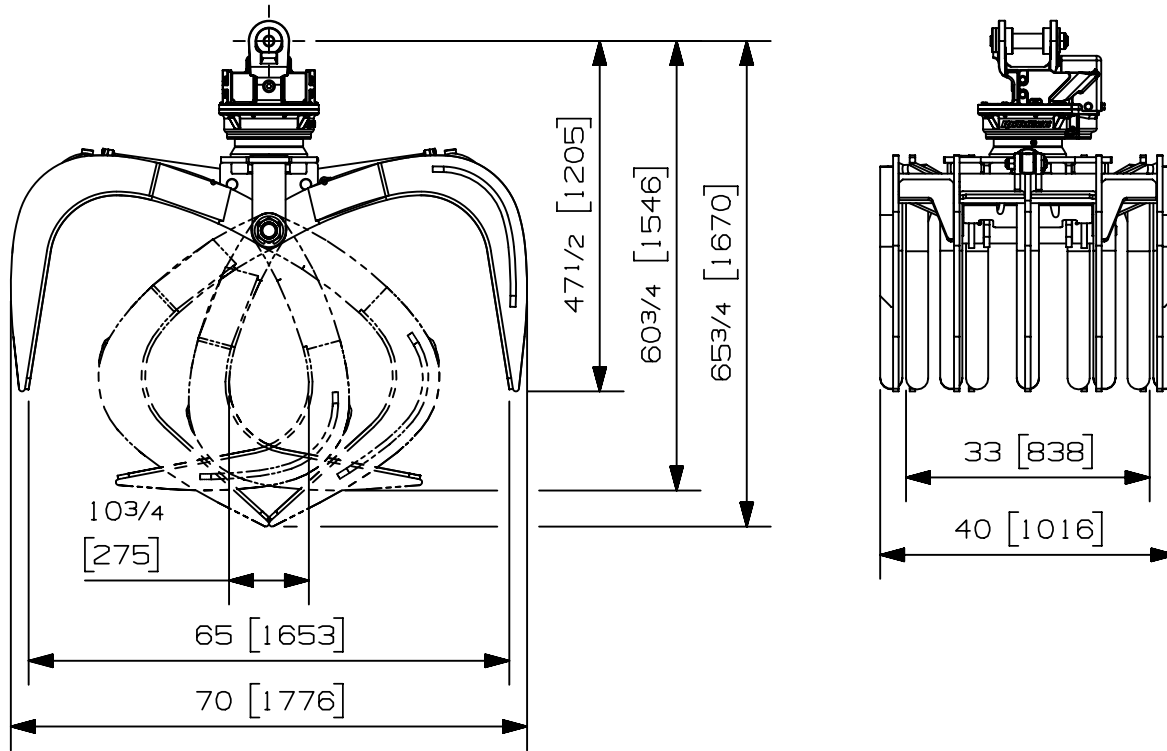


Max load:	- lb	- kg
Volume:	.80 y <sup>3</sup>	.61 m <sup>3</sup>
Area tip to tip:	4.28 ft <sup>2</sup>	.40 m <sup>2</sup>
Rotator lifting capacity:	32000 lb	14515 kg
Torque at relief pressure:	16150 lb-in 1450 psi	1825 Nm 100 bars
Weight:	1550 lb	703 kg

Rotator	Maximum pressure: 5000 psi    345 bars	Recommended flow: 9 gpm    34 l/min
Rotator recommended flow will produce a maximum speed of 30 rpm		

Cylinder	Diameter	Recommended pressure	Pressure range	Flow range	Lock valves
Standard	3 1/2 " (89 mm)	3050 psi (210 bars)	2600 - 3500 psi (179-241 bars)	16 - 24 gpm (61-91 l/min.)	No
Optional	3 " (76 mm)	4050 psi (279 bars)	3600 - 4500 psi (248-310 bars)	11 - 16 gpm (42-61 l/min.)	No

Grapple cylinder maximum flow will theoretically produce a complete grapple open/close cycle in 4 seconds.



Options:

- 
- 
- 
- 

web site: [www.rotobec.com](http://www.rotobec.com)

email: [rotobec@rotobec.com](mailto:rotobec@rotobec.com)

Rotobec Inc.: Head office serving OEM's and Eastern Canada    Ph: (418) 383-3002 Fax: (418) 383-5334  
 Rotobec West: Branch serving Western Canada and Western USA    Ph: (250) 765-1161 Fax: (250) 765-0035  
 Rotobec USA: Branch serving Eastern and Central USA    Ph: (603) 444-2103 Fax: (603) 444-0327