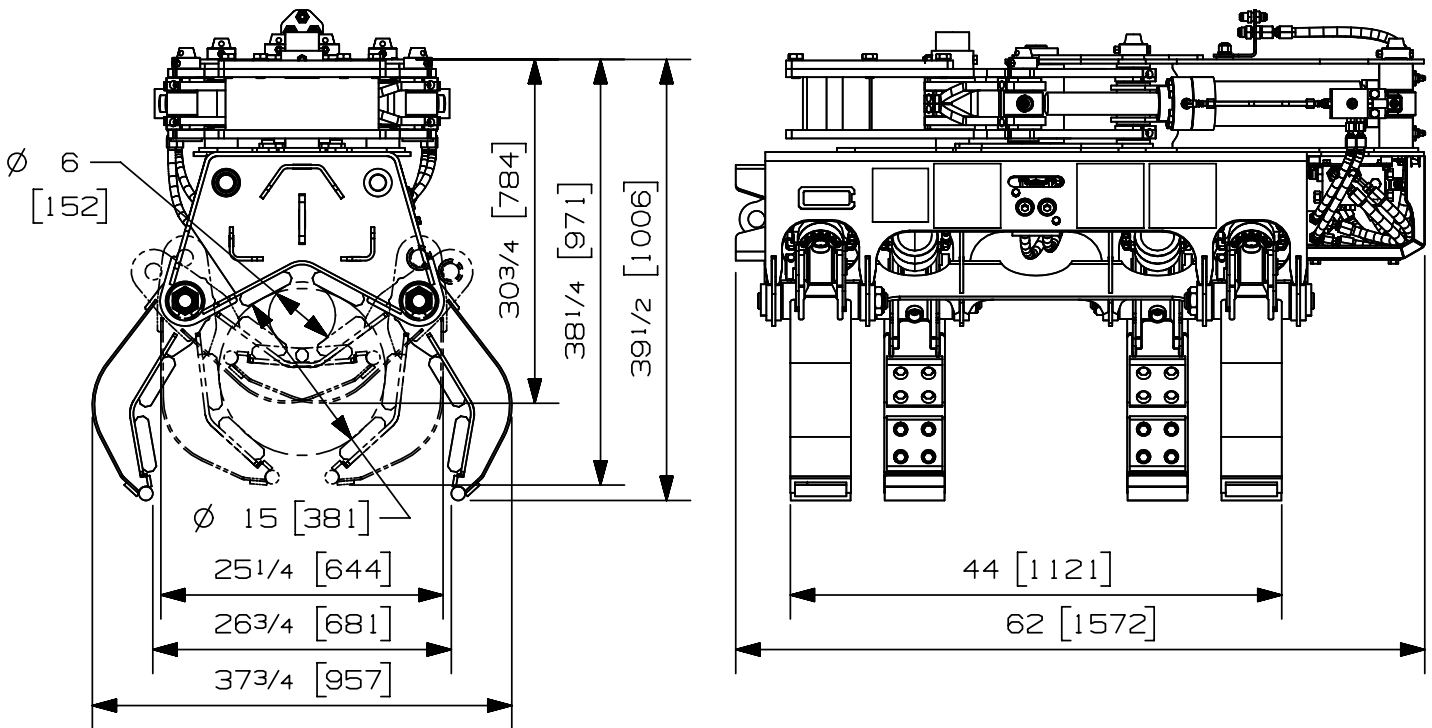


Max load:	n/a lb	n/a kg
Volume:	n/a y ³	n/a m ³
Area tip to tip:	n/a ft ²	n/a m ²
Rotator lifting capacity:	n/a lb	n/a kg
Torque at relief pressure:	23665 ft-lb 5000 psi	32085 Nm 345 bars
Weight:	1610 lb	730 kg

Rotator	Maximum pressure:	n/a psi	n/a bars	Recommended flow:	n/a gpm	n/a l/min
Rotator recommended flow will produce a speed of 0 rpm						

Cylinder	Diameter	Recommended pressure	Pressure range	Flow range	Lock valves
GRAPPLE	2 1/2 " (64 mm)	4250 psi (293 bars)	3500-5000 psi (241-345 bars)	5-7 gpm (19-26 l/min.)	yes
TILT	3 " (76 mm)	4250 psi (293 bars)	3500-5000 psi (241-345 bars)	3-4 gpm (11-15 l/min.)	yes

Grapple cylinder maximum flow will theoretically produce a complete grapple open/close cycle in 6 seconds.



Options:

-
-
-
-

web site: www.rotobec.com

email: rotobec@rotobec.com

Rotobec Inc.: Head office serving OEM's and Eastern Canada Ph: (418) 383-3002 Fax: (418) 383-5334
Rotobec West: Branch serving Western Canada and Western USA Ph: (250) 765-1161 Fax: (250) 765-0035
Rotobec USA: Branch serving Eastern and Central USA Ph: (603) 444-2103 Fax: (603) 444-0327

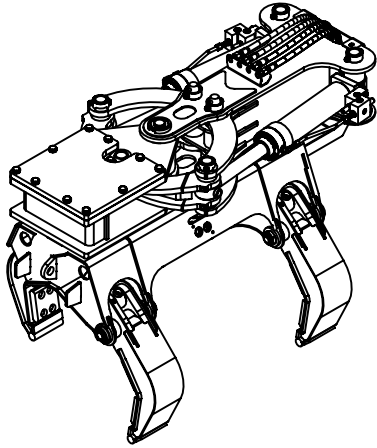
We reserve the right to change specifications and to improve our products without notice or obligation.

07005-8144
14/10/16 D.L.

Pipe & Pole Handler

1807ROD180

(WITHOUT SELECTOR VALVE VERSION)

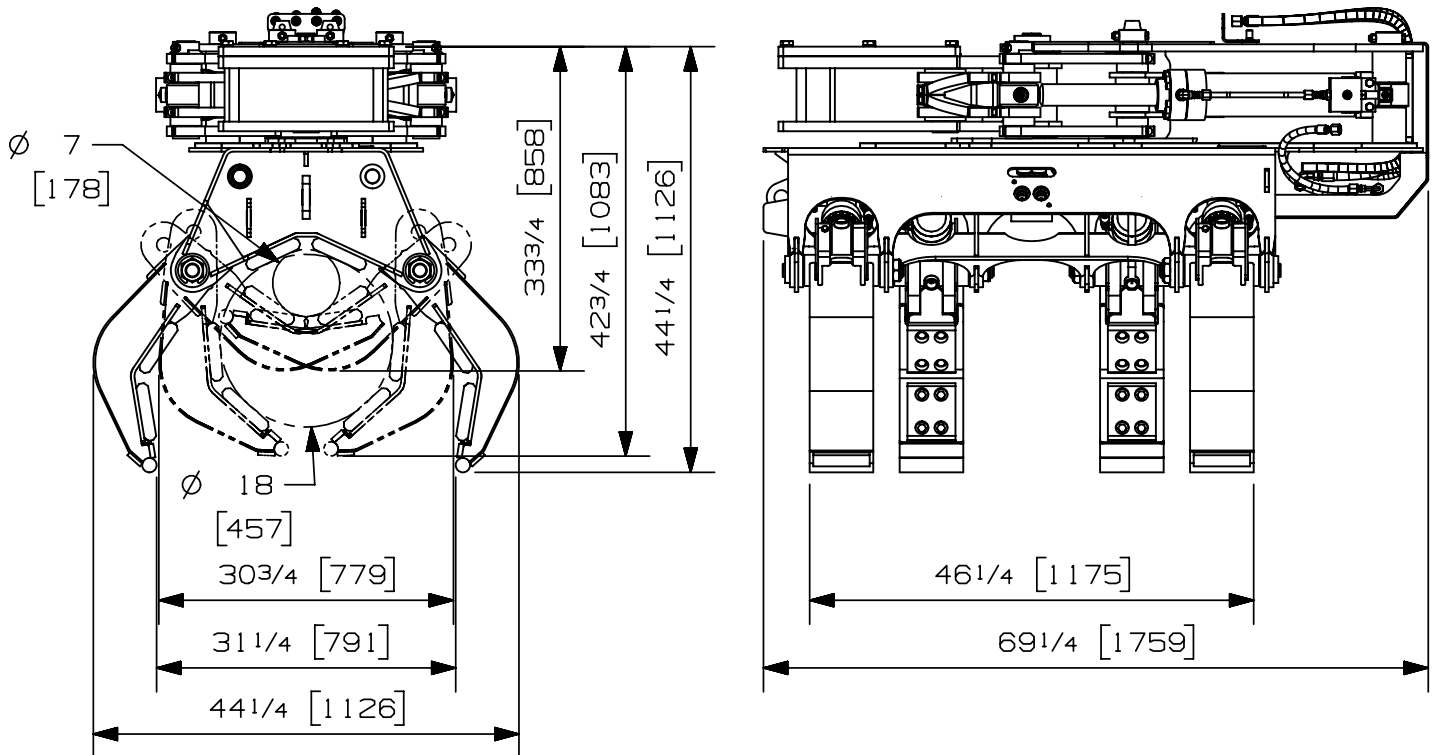


Max load:	n/a lb	n/a N
Volume:	n/a y ³	n/a m ³
Area tip to tip:	n/a ft ²	n/a m ²
Rotator lifting capacity:	n/a lb	n/a kg
Torque at relief pressure:	38790 ft-lb 5000 psi	52599 Nm 345 bars
Weight:	2440 lb	1107 kg

Rotator	Maximum pressure:	n/a psi	n/a bars	Recommended flow:	n/a gpm	n/a l/min
Rotator recommended flow will produce a speed of 0 rpm						

Cylinder	Diameter	Recommended pressure	Pressure range	Flow range	Lock valves
Standard	2 1/2 " (64 mm)	4250 psi (293 bars)	3500-5000 psi (241-345 bars)	7-9 gpm (26-34 l/min.)	yes
Tilt	3 1/2 " (89 mm)	4250 psi (293 bars)	3500-5000 psi (241-345 bars)	5-7 gpm (19-26 l/min.)	yes

Grapple cylinder maximum flow will theoretically produce a complete grapple open/close cycle in 6 seconds.



Options:

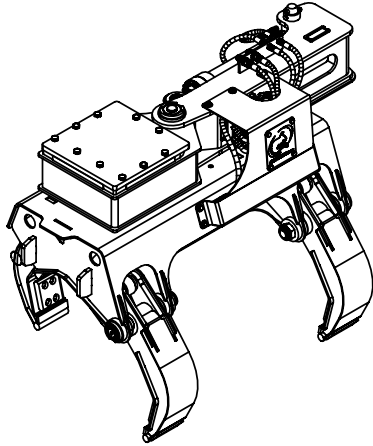
web site: www.rotobec.com

email: rotobec@rotobec.com

Rotobec Inc.: Head office serving OEM's and Eastern Canada Ph: (418) 383-3002 Fax: (418) 383-5334
Rotobec West: Branch serving Western Canada and Western USA Ph: (250) 765-1161 Fax: (250) 765-0035
Rotobec USA: Branch serving Eastern and Central USA Ph: (603) 444-2103 Fax: (603) 444-0327

We reserve the right to change specifications and to improve our products without notice or obligation.

07006-8181
10/07/18 D.L.

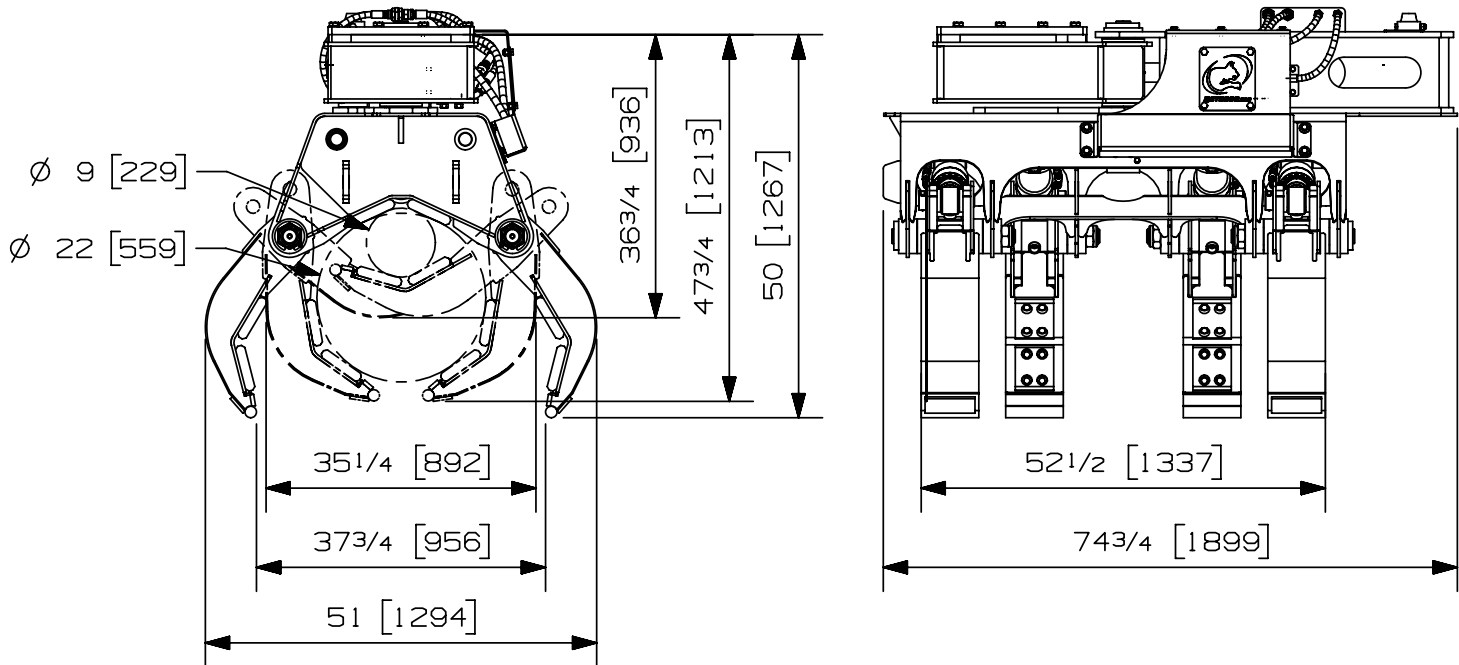


Max load:	- lb	- kg
Volume:	- y ³	- m ³
Area tip to tip:	- ft ²	- m ²
Rotator lifting capacity:	- lb	- kg
Torque at relief pressure:	51865 ft-lb	70320 Nm
	5000 psi	345 bars
Weight:	2535 lb	1098 kg

Rotator	Maximum pressure:	- psi	- bars	Recommended flow:	- gpm	- l/min
Rotator recommended flow will produce a speed of 0 rpm						

Cylinder	Diameter	Recommended pressure	Pressure range	Flow range	Lock valves
GRAPPLE	3 " (76 mm)	4250 psi (293 bars)	3500-5000 psi (241-345 bars)	13-17 gpm (49-64 l/min.)	yes
TILT	4 " (102 mm)	4250 psi (293 bars)	3500-5000 psi (241-345 bars)	7-10 gpm (26-38 l/min.)	yes

Grapple cylinder maximum flow will theoretically produce a complete grapple open/close cycle in 6 seconds.



Options:

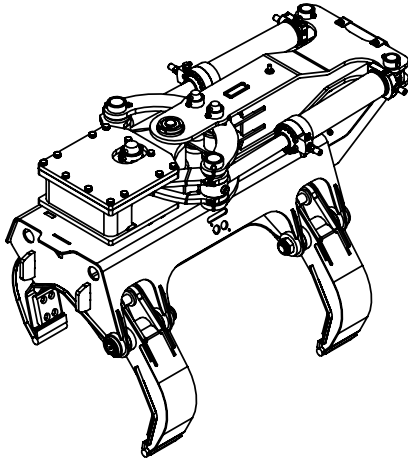
-Custom lugging on rotator

web site: www.rotobec.com

email: rotobec@rotobec.com

Rotobec Inc.: Head office serving OEM's and Eastern Canada
Rotobec West: Branch serving Western Canada and Western USA
Rotobec USA: Branch serving Eastern and Central USA

Ph: (418) 383-3002 Fax: (418) 383-5334
 Ph: (250) 765-1161 Fax: (250) 765-0035
 Ph: (603) 444-2103 Fax: (603) 444-0327

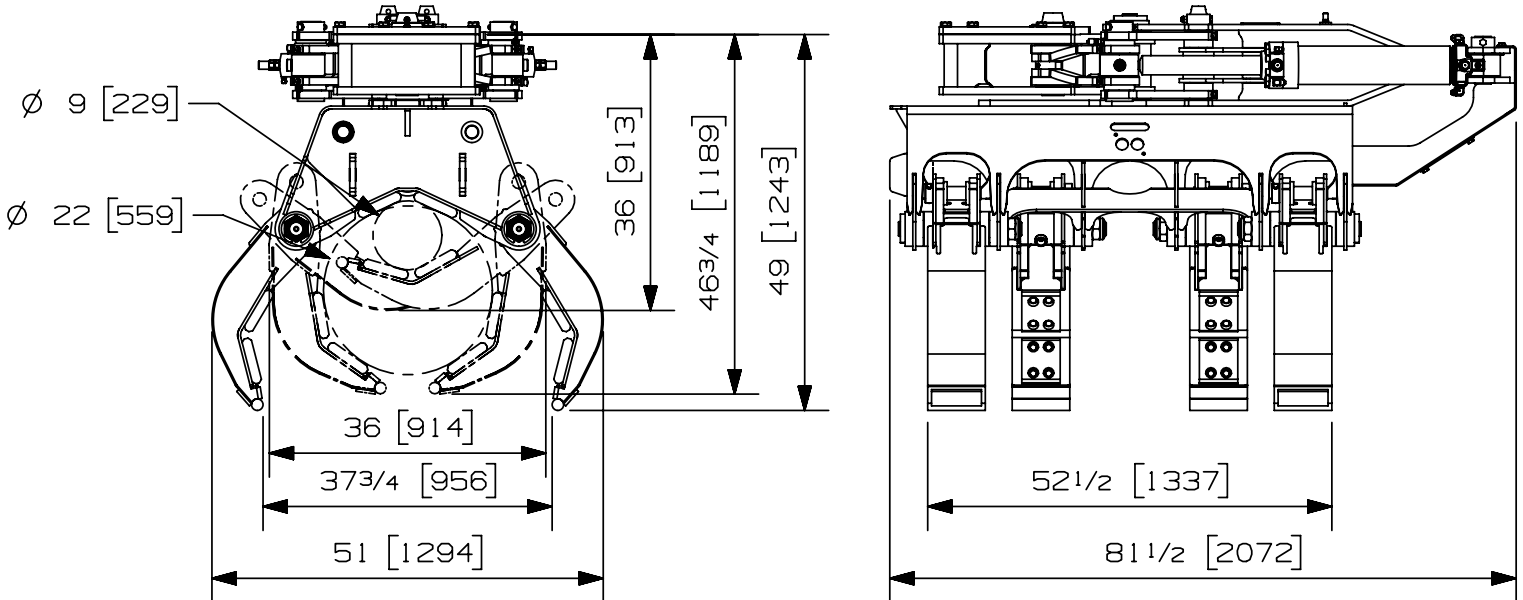


Max load:	- lb	- kg
Volume:	- y ³	- m ³
Area tip to tip:	- ft ²	- m ²
Rotator lifting capacity:	- lb	- kg
Torque at relief pressure:	68415 ft-lb 5000 psi	92758 Nm 345 bars
Weight:	3045 lb	1384 kg

Rotator	Maximum pressure:	n/a psi	n/a bars	Recommended flow:	n/a gpm	n/a l/min
Rotator recommended flow will produce a speed of 0 rpm						

Cylinder	Diameter	Recommended pressure	Pressure range	Flow range	Lock valves
GRAPPLE	3 " (76 mm)	4250 psi (293 bars)	3500-5000 psi (241-345 bars)	13-17 gpm (49-64 l/min.)	yes
TILT	4 " (102 mm)	4250 psi (293 bars)	3500-5000 psi (241-345 bars)	7-10 gpm (26-38 l/min.)	yes

Grapple cylinder maximum flow will theoretically produce a complete grapple open/close cycle in 6 seconds.



Options:
- Custom lugging

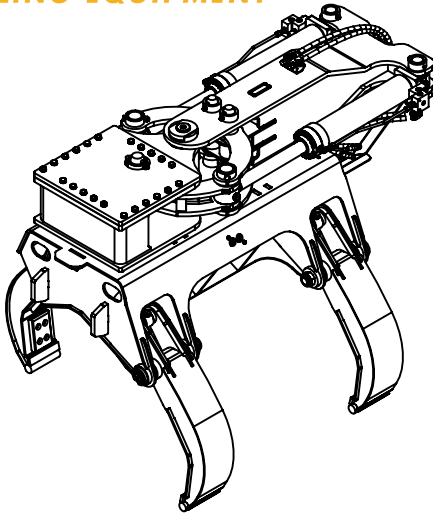
web site: www.rotobec.com

email: rotobec@rotobec.com

Rotobec Inc.: Head office serving OEM's and Eastern Canada Ph: (418) 383-3002 Fax: (418) 383-5334
 Rotobec West: Branch serving Western Canada and Western USA Ph: (250) 765-1161 Fax: (250) 765-0035
 Rotobec USA: Branch serving Eastern and Central USA Ph: (603) 444-2103 Fax: (603) 444-0327

We reserve the right to change specifications and to improve our products without notice or obligation.

C-07005-9721
21/06/16 M.R

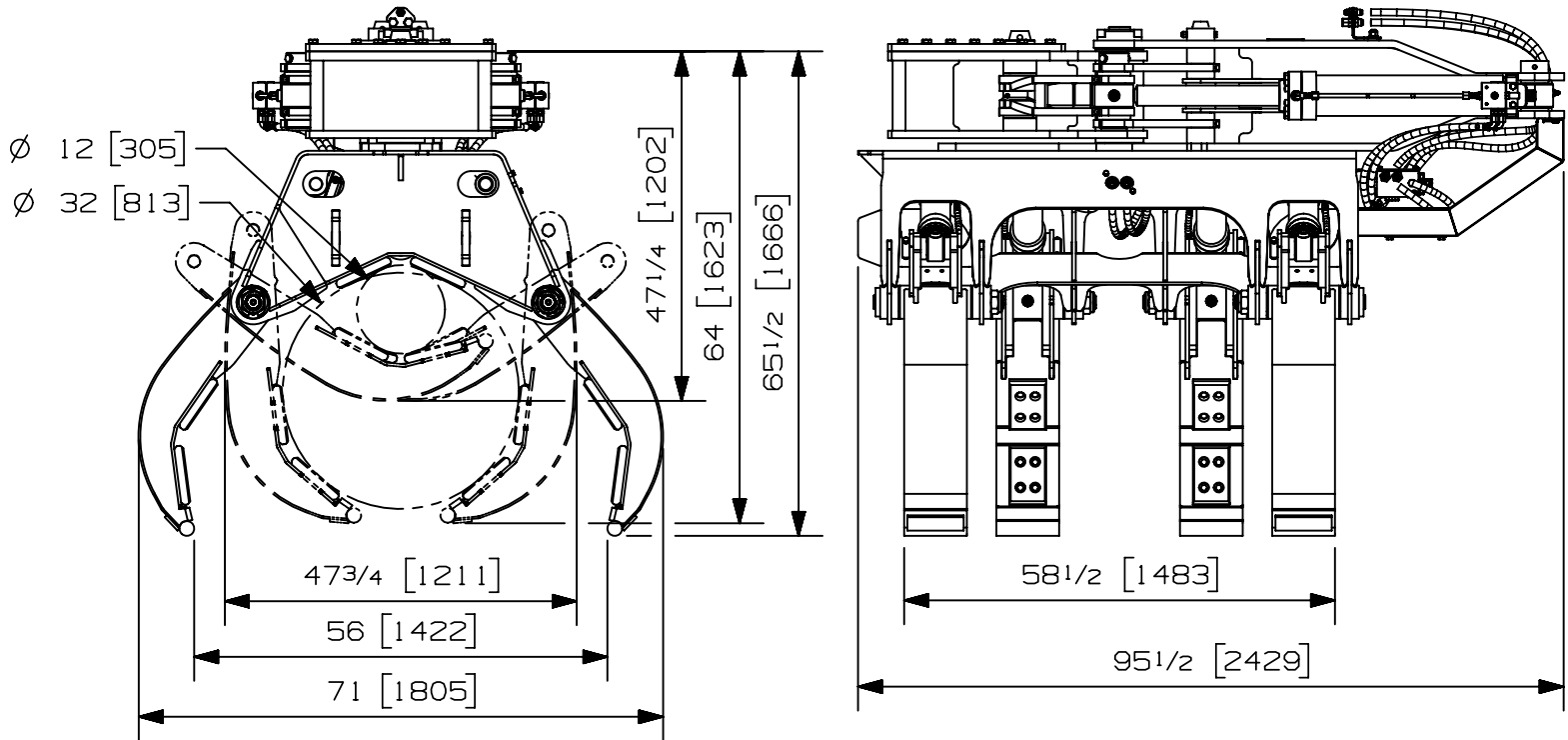


Max load:	16000 lb	7257 kg
Volume:	- y ³	- m ³
Area tip to tip:	- ft ²	- m ²
Rotator lifting capacity:	- lb	- kg
Torque at relief pressure:	107500 ft-lb 5000 psi	145750 Nm 345 bars
Weight:	5065 lb	2297 kg

Rotator	Maximum pressure: - psi - bars	Recommended flow: - gpm - l/min
Rotator recommended flow will produce a maximum speed of 0 rpm		

Cylinder	Diameter	Recommended pressure	Pressure range	Flow range	Lock valves
Grapple	3 " (76 mm)	4250 psi (293 bars)	3500 - 5000 psi (241-345 bars)	21 - 29 gpm (79-110 l/min.)	Yes
Tilt	4 1/2 " (114 mm)	4250 psi (293 bars)	3500 - 5000 psi (241-345 bars)	12 - 16 gpm (45-61 l/min.)	Yes

Grapple cylinder maximum flow will theoretically produce a complete grapple open/close cycle in 6 seconds.



Options:

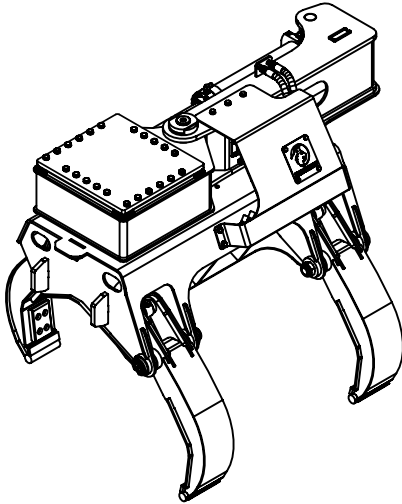
- Custom lugging on rotator
-
-
-

web site: www.rotobec.com

email: rotobec@rotobec.com

Rotobec Inc.: Head office serving OEM's and Eastern Canada
Rotobec West: Branch serving Western Canada and Western USA
Rotobec USA: Branch serving Eastern and Central USA

Ph: (418) 383-3002 Fax: (418) 383-5334
 Ph: (250) 765-1161 Fax: (250) 765-0035
 Ph: (603) 444-2103 Fax: (603) 444-0327

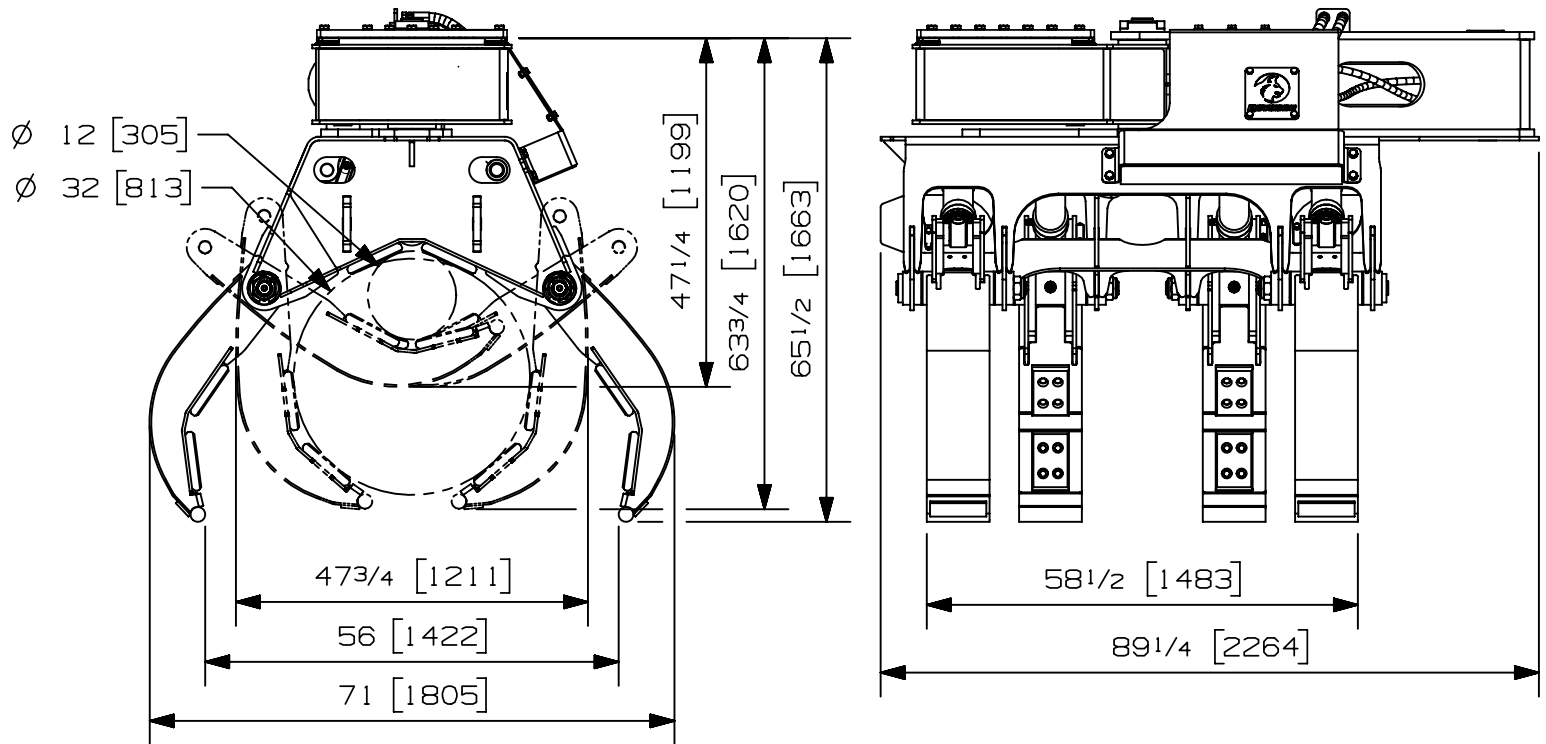


Max load:	16000 lb	7257 kg
Volume:	- y ³	- m ³
Area tip to tip:	- ft ²	- m ²
Rotator lifting capacity:	- lb	- kg
Torque at relief pressure:	86410 ft-lb	117156 Nm
	5000 psi	345 bars
Weight:	4305 lb	1953 kg

Rotator	Maximum pressure:	- psi	- bars	Recommended flow:	- gpm	- l/min
Rotator recommended flow will produce a maximum speed of 0 rpm						

Cylinder	Diameter	Recommended pressure	Pressure range	Flow range	Lock valves
Grapple	3 " (76 mm)	4250 psi (293 bars)	3500 - 5000 psi (241-345 bars)	21 - 29 gpm (79-110 l/min.)	Yes
Tilt	4 1/2 " (114 mm)	4250 psi (293 bars)	3500 - 5000 psi (241-345 bars)	12 - 25 gpm (45-95 l/min.)	Yes

Grapple cylinder maximum flow will theoretically produce a complete grapple open/close cycle in 6 seconds.



Options:

- Custom lugging on rotator
-
-
-

web site: www.rotobec.com

email: rotobec@rotobec.com

Rotobec Inc.: Head office serving OEM's and Eastern Canada
Rotobec West: Branch serving Western Canada and Western USA
Rotobec USA: Branch serving Eastern and Central USA

Ph: (418) 383-3002 Fax: (418) 383-5334
 Ph: (250) 765-1161 Fax: (250) 765-0035
 Ph: (603) 444-2103 Fax: (603) 444-0327