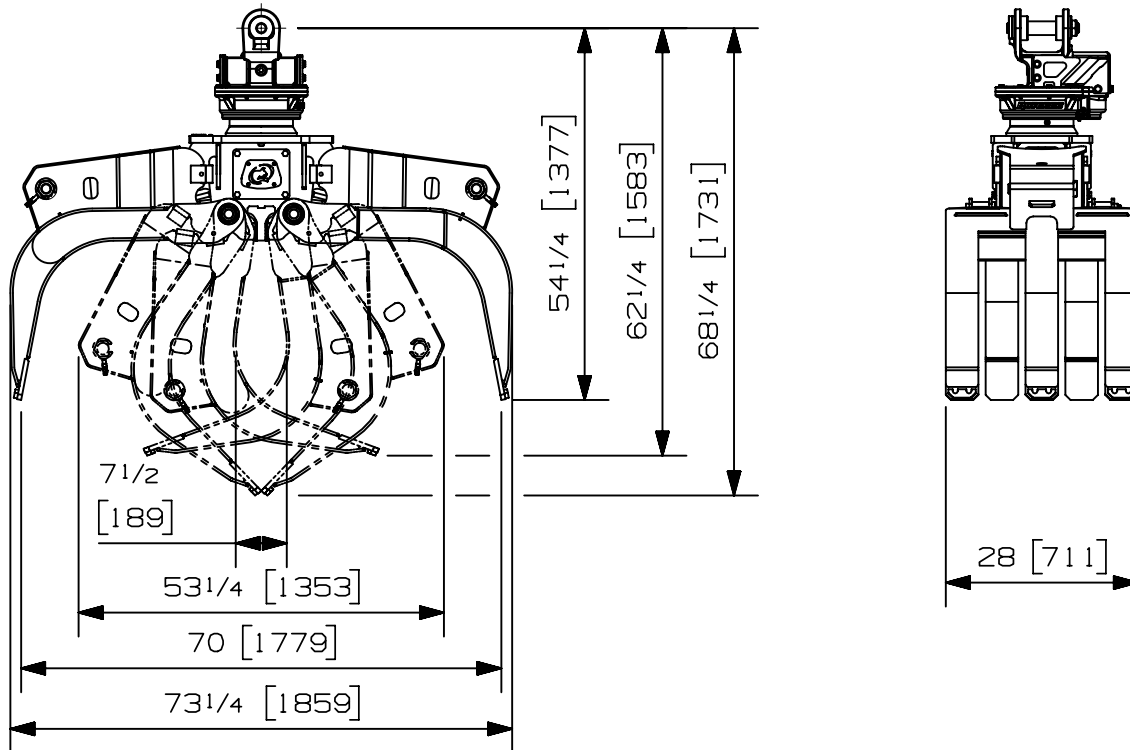


<b>Max load:</b>	n/a lb	n/a kg
<b>Volume:</b>	.75 y <sup>3</sup>	.57 m <sup>3</sup>
<b>Area tip to tip:</b>	4.31 ft <sup>2</sup>	.40 m <sup>2</sup>
<b>Rotator lifting capacity:</b>	32000 lb	14515 kg
<b>Torque at relief pressure:</b>	16150 lb-in 1450 psi	1825 Nm 100 bars
<b>Weight:</b>	1615 lb	733 kg

<b>Rotator</b>	<b>Maximum pressure:</b> 5000 psi    345 bars	<b>Recommended flow:</b> 9 gpm    34 l/min
Rotator recommended flow will produce a speed of 30 rpm		

Cylinder	Diameter	Recommended pressure	Pressure range	Flow range	Lock valves
Standard	3 " (76 mm)	4300 psi (296 bars)	3600-5000 psi (248-345 bars)	10-15 gpm (38-57 l/min.)	no
Standard	3 1/2 " (89 mm)	3000 psi (207 bars)	2500-3500 psi (172-241 bars)	14-21 gpm (53-79 l/min.)	no

Grapple cylinder maximum flow will theoretically produce a complete grapple open/close cycle in 4 seconds.



**Options:**

- CounterBalance valve option (9 lbs / 4kg)
- 
- 
- 

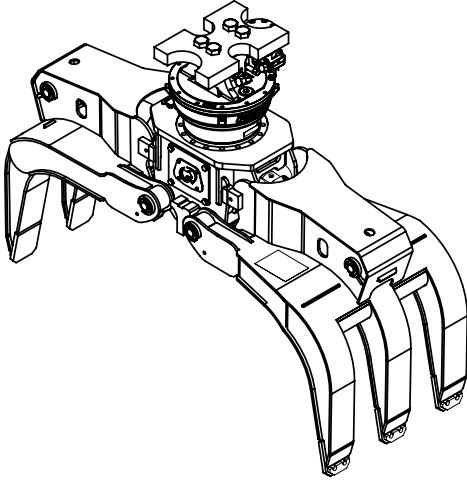
web site: [www.rotobec.com](http://www.rotobec.com)

email: [rotobec@rotobec.com](mailto:rotobec@rotobec.com)

**Rotobec Inc.:** Head office serving OEM's and Eastern Canada    Ph: (418) 383-3002 Fax: (418) 383-5334  
**Rotobec West:** Branch serving Western Canada and Western USA    Ph: (250) 765-1161 Fax: (250) 765-0035  
**Rotobec USA:** Branch serving Eastern and Central USA    Ph: (603) 444-2103 Fax: (603) 444-0327

We reserve the right to change specifications and to improve our products without notice or obligation.

07008-1771  
16/03/18    D.L.

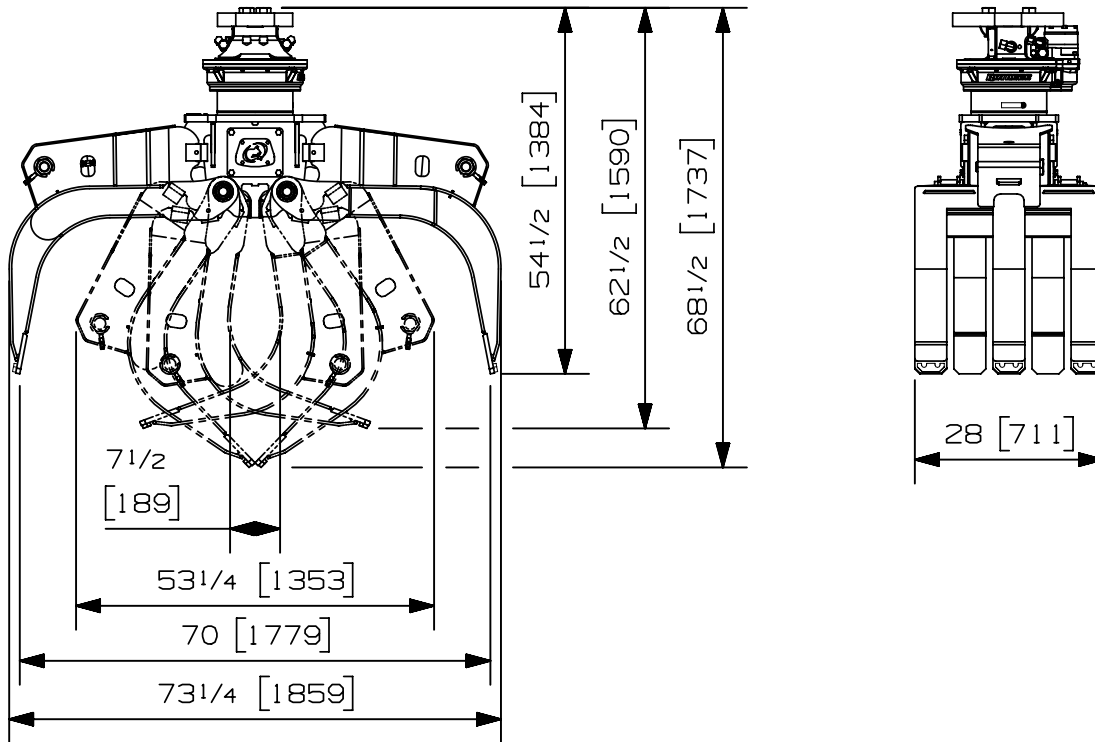


<b>Max load:</b>	n/a lb	n/a kg
<b>Volume:</b>	.75 y <sup>3</sup>	.57 m <sup>3</sup>
<b>Area tip to tip:</b>	4.31 ft <sup>2</sup>	.40 m <sup>2</sup>
<b>Rotator lifting capacity:</b>	50000 lb	22680 kg
<b>Torque at relief pressure:</b>	18140 lb-in 913 psi	2050 Nm 63 bars
<b>Weight:</b>	1760 lb	798 kg

<b>Rotator</b>	<b>Maximum pressure:</b> 4200 psi    290 bars	<b>Recommended flow:</b> 8 gpm    30 l/min
Rotator recommended flow will produce a speed of 15 rpm		

Cylinder	Diameter	Recommended pressure	Pressure range	Flow range	Lock valves
Standard	3 " (76 mm)	4300 psi (296 bars)	3600-5000 psi (248-345 bars)	10-15 gpm (38-57 l/min.)	no
Standard	3 1/2 " (89 mm)	3000 psi (207 bars)	2500-3500 psi (172-241 bars)	14-21 gpm (53-79 l/min.)	no

Grapple cylinder maximum flow will theoretically produce a complete grapple open/close cycle in 4 seconds.



#### Options:

- CounterBalance valve option (9 lbs / 4 kg)
- See also RGP-502 option for more options
- 
- 

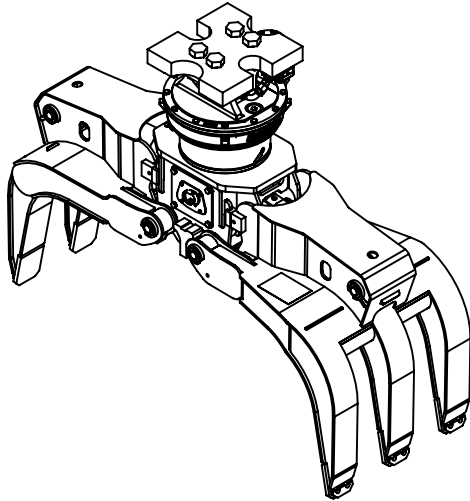
web site: [www.rotobec.com](http://www.rotobec.com)

email: [rotobec@rotobec.com](mailto:rotobec@rotobec.com)

**Rotobec Inc.:** Head office serving OEM's and Eastern Canada    Ph: (418) 383-3002 Fax: (418) 383-5334  
**Rotobec West:** Branch serving Western Canada and Western USA    Ph: (250) 765-1161 Fax: (250) 765-0035  
**Rotobec USA:** Branch serving Eastern and Central USA    Ph: (603) 444-2103 Fax: (603) 444-0327

We reserve the right to change specifications and to improve our products without notice or obligation.

07008-0863  
13/02/18 D.L.

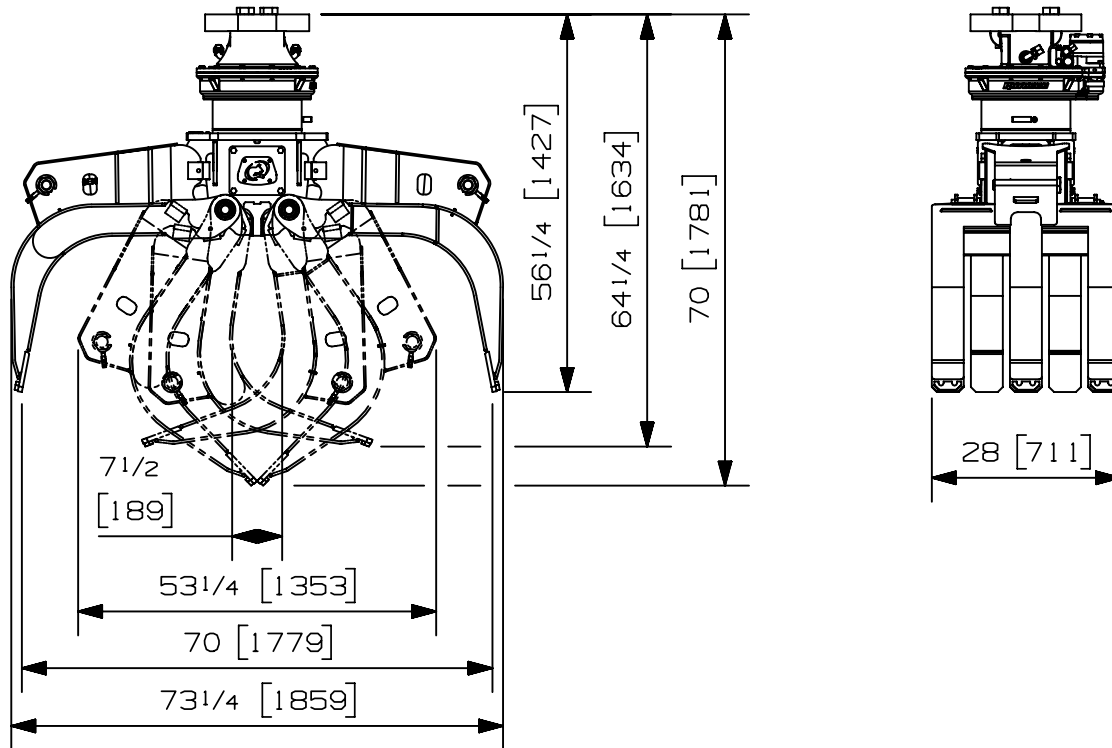


<b>Max load:</b>	n/a lb	n/a kg
<b>Volume:</b>	.75 y <sup>3</sup>	.57 m <sup>3</sup>
<b>Area tip to tip:</b>	4.31 ft <sup>2</sup>	.40 m <sup>2</sup>
<b>Rotator lifting capacity:</b>	100000 lb	45359 kg
<b>Torque at relief pressure:</b>	21770 lb-in 913 psi	2460 Nm 63 bars
<b>Weight:</b>	2030 lb	921 kg

<b>Rotator</b>	<b>Maximum pressure:</b> 4200 psi    290 bars	<b>Recommended flow:</b> 6 gpm    23 l/min
Rotator recommended flow will produce a speed of 10 rpm		

Cylinder	Diameter	Recommended pressure	Pressure range	Flow range	Lock valves
Standard	3 " (76 mm)	4300 psi (296 bars)	3600-5000 psi (248-345 bars)	10-15 gpm (38-57 l/min.)	no
Standard	3 1/2 " (89 mm)	3000 psi (207 bars)	2500-3500 psi (172-241 bars)	14-21 gpm (53-79 l/min.)	no

Grapple cylinder maximum flow will theoretically produce a complete grapple open/close cycle in 4 seconds.



**Options:**

- CounterBalance valve option (9 lbs / 4 kg)
- See also RGP-1002 option for more options
- 
- 

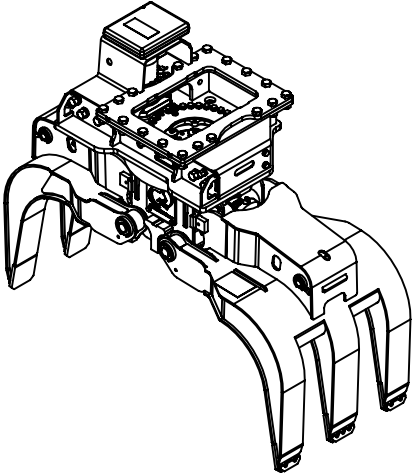
web site: [www.rotobec.com](http://www.rotobec.com)

email: [rotobec@rotobec.com](mailto:rotobec@rotobec.com)

**Rotobec Inc.:** Head office serving OEM's and Eastern Canada    Ph: (418) 383-3002 Fax: (418) 383-5334  
**Rotobec West:** Branch serving Western Canada and Western USA    Ph: (250) 765-1161 Fax: (250) 765-0035  
**Rotobec USA:** Branch serving Eastern and Central USA    Ph: (603) 444-2103 Fax: (603) 444-0327

We reserve the right to change specifications and to improve our products without notice or obligation.

07008-0864  
13/02/18 D.L.

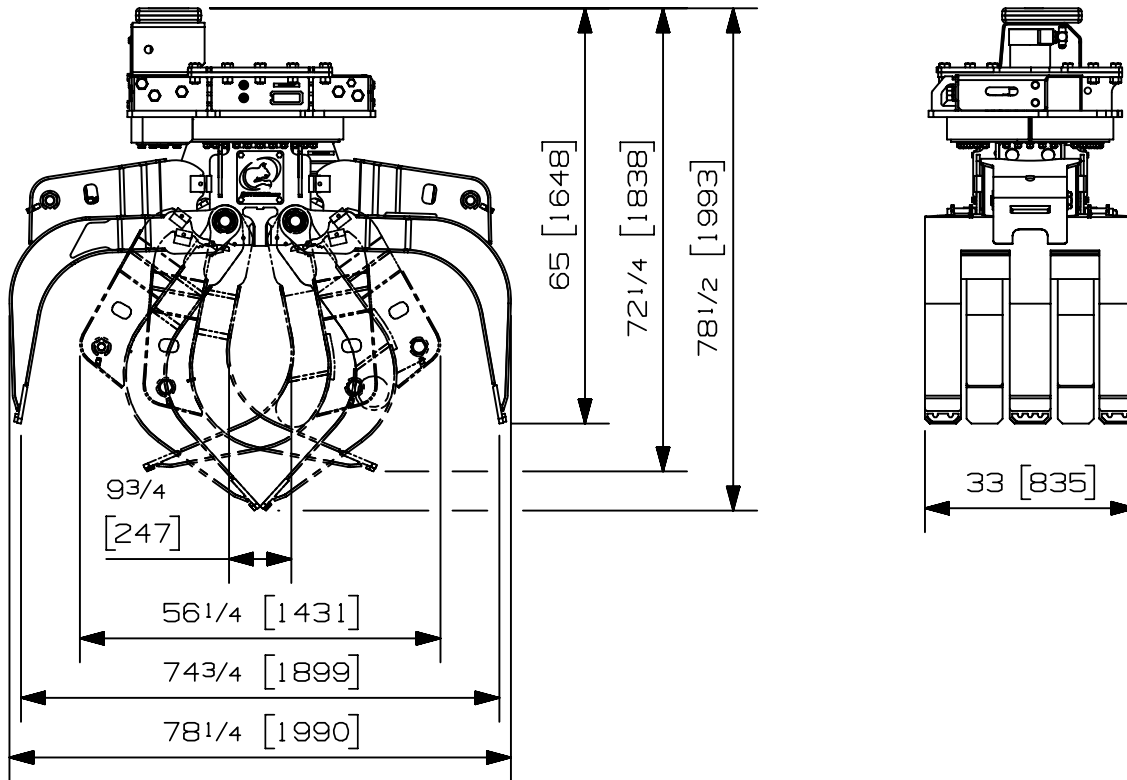


<b>Max load:</b>	n/a lb	n/a kg
<b>Volume:</b>	1.00 y <sup>3</sup>	.76 m <sup>3</sup>
<b>Area tip to tip:</b>	5.10 ft <sup>2</sup>	.47 m <sup>2</sup>
<b>Rotator lifting capacity:</b>	90000 lb	40823 kg
<b>Torque at relief pressure:</b>	148710 lb-in 2200 psi	16802 Nm 152 bars
<b>Weight:</b>	2970 lb	1347 kg

<b>Rotator</b>	<b>Maximum pressure:</b> 5000 psi    345 bars	<b>Recommended flow:</b> 28 gpm    106 l/min
Rotator recommended flow will produce a speed of 15 rpm		

Cylinder	Diameter	Recommended pressure	Pressure range	Flow range	Lock valves
Standard	3 1/2 " (89 mm)	4000 psi (276 bars)	3000-5000 psi (207-345 bars)	14-20 gpm (53-76 l/min.)	no

Grapple cylinder maximum flow will theoretically produce a complete grapple open/close cycle in 4 seconds.



**Options:**

- CounterBalance valve option (20 lbs / 9 kg)
- See also RGP-900 option for more options
- 
- 

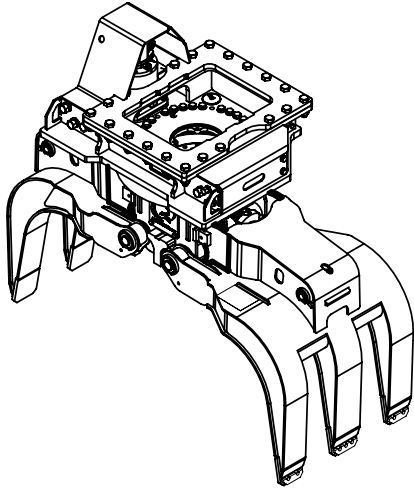
web site: [www.rotobec.com](http://www.rotobec.com)

email: [rotobec@rotobec.com](mailto:rotobec@rotobec.com)

**Rotobec Inc.:** Head office serving OEM's and Eastern Canada    Ph: (418) 383-3002 Fax: (418) 383-5334  
**Rotobec West:** Branch serving Western Canada and Western USA    Ph: (250) 765-1161 Fax: (250) 765-0035  
**Rotobec USA:** Branch serving Eastern and Central USA    Ph: (603) 444-2103 Fax: (603) 444-0327

We reserve the right to change specifications and to improve our products without notice or obligation.

07007-2795  
06/02/18 D.L.

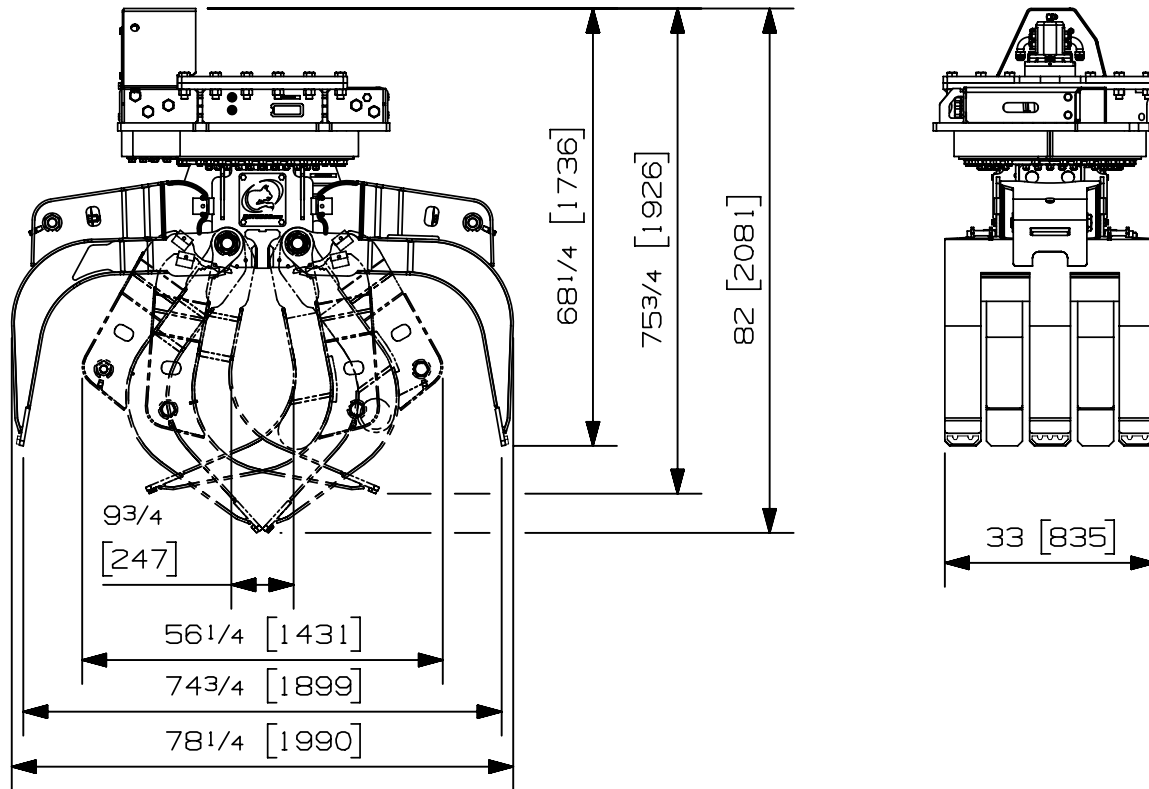


Max load:	n/a lb	n/a kg
Volume:	1.00 y <sup>3</sup>	.76 m <sup>3</sup>
Area tip to tip:	5.10 ft <sup>2</sup>	.47 m <sup>2</sup>
Rotator lifting capacity:	130000 lb	58967 kg
Torque at relief pressure:	176750 lb-in 2200 psi	19970 Nm 152 bars
Weight:	3490 lb	1583 kg

Rotator	Maximum pressure: 5000 psi    345 bars	Recommended flow: 33 gpm    125 l/min
Rotator recommended flow will produce a speed of 15 rpm		

Cylinder	Diameter	Recommended pressure	Pressure range	Flow range	Lock valves
Standard	3 1/2 " (89 mm)	4000 psi (276 bars)	3000-5000 psi (207-345 bars)	14-20 gpm (53-76 l/min.)	no

Grapple cylinder maximum flow will theoretically produce a complete grapple open/close cycle in 4 seconds.



Options:

- CounterBalance valve option (20 lbs / 9 kg)
- See also RGP-1300A option for more options
- 
- 

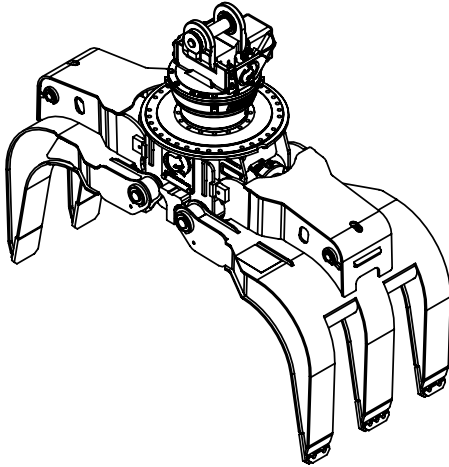
web site: [www.rotobec.com](http://www.rotobec.com)

email: [rotobec@rotobec.com](mailto:rotobec@rotobec.com)

**Rotobec Inc.:** Head office serving OEM's and Eastern Canada    Ph: (418) 383-3002 Fax: (418) 383-5334  
**Rotobec West:** Branch serving Western Canada and Western USA    Ph: (250) 765-1161 Fax: (250) 765-0035  
**Rotobec USA:** Branch serving Eastern and Central USA    Ph: (603) 444-2103 Fax: (603) 444-0327

We reserve the right to change specifications and to improve our products without notice or obligation.

07004-6238  
06/02/18 D.L.

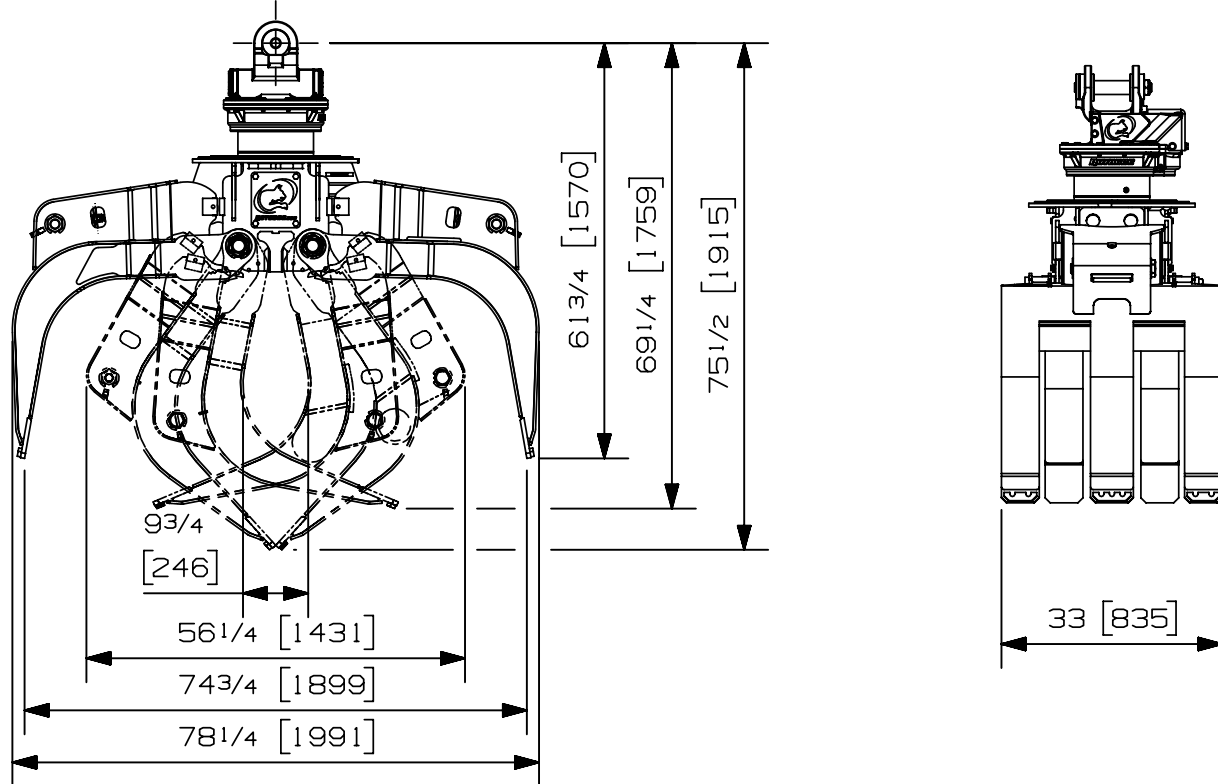


Max load:	n/a lb	n/a kg
Volume:	1.00 y <sup>3</sup>	.76 m <sup>3</sup>
Area tip to tip:	5.10 ft <sup>2</sup>	.47 m <sup>2</sup>
Rotator lifting capacity:	50000 lb	22680 kg
Torque at relief pressure:	18630 lb-in 1450 psi	2105 Nm 100 bars
Weight:	2265 lb	1027 kg

Rotator	Maximum pressure: 5000 psi    345 bars	Recommended flow: 9 gpm    34 l/min
Rotator recommended flow will produce a speed of 25 rpm		

Cylinder	Diameter	Recommended pressure	Pressure range	Flow range	Lock valves
Standard	3 1/2 " (89 mm)	4000 psi (276 bars)	3000-5000 psi (207-345 bars)	14-20 gpm (53-76 l/min.)	no

Grapple cylinder maximum flow will theoretically produce a complete grapple open/close cycle in 4 seconds.



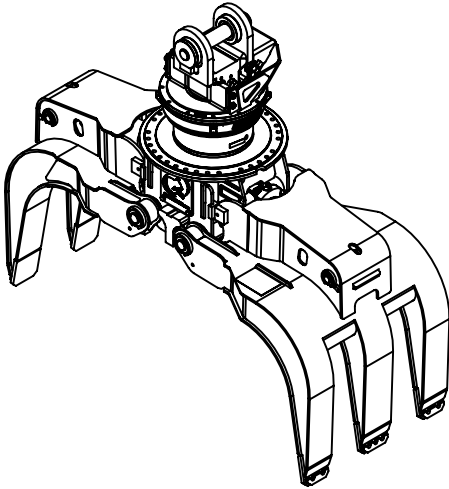
Options:

- CounterBalance valve option (20 lbs / 9 kg)
- 
- 
- 

web site: [www.rotobec.com](http://www.rotobec.com)

email: [rotobec@rotobec.com](mailto:rotobec@rotobec.com)

Rotobec Inc.: Head office serving OEM's and Eastern Canada    Ph: (418) 383-3002 Fax: (418) 383-5334  
 Rotobec West: Branch serving Western Canada and Western USA    Ph: (250) 765-1161 Fax: (250) 765-0035  
 Rotobec USA: Branch serving Eastern and Central USA    Ph: (603) 444-2103 Fax: (603) 444-0327

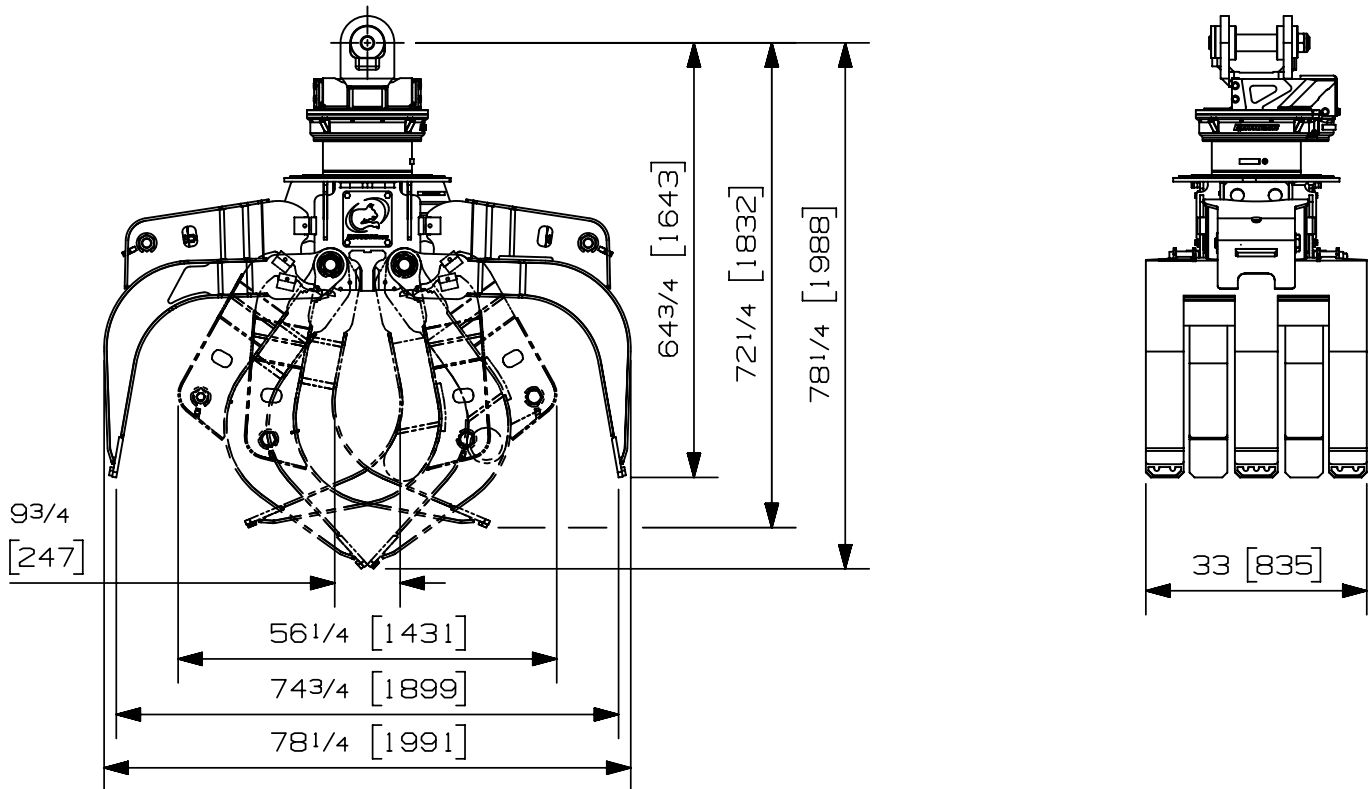


<b>Max load:</b>	n/a lb	n/a kg
<b>Volume:</b>	1.00 y <sup>3</sup>	.76 m <sup>3</sup>
<b>Area tip to tip:</b>	5.10 ft <sup>2</sup>	.47 m <sup>2</sup>
<b>Rotator lifting capacity:</b>	100000 lb	45359 kg
<b>Torque at relief pressure:</b>	22360 lb-in 1450 psi	2526 Nm 100 bars
<b>Weight:</b>	2505 lb	1136 kg

<b>Rotator</b>	<b>Maximum pressure:</b> 5000 psi    345 bars	<b>Recommended flow:</b> 8 gpm    30 l/min
Rotator recommended flow will produce a speed of 20 rpm		

Cylinder	Diameter	Recommended pressure	Pressure range	Flow range	Lock valves
Standard	3 1/2 " (89 mm)	4000 psi (276 bars)	3000-5000 psi (207-345 bars)	14-20 gpm (53-76 l/min.)	no

Grapple cylinder maximum flow will theoretically produce a complete grapple open/close cycle in 4 seconds.



**Options:**

- CounterBalance valve option (20 lbs / 9 kg)
- 
- 
- 

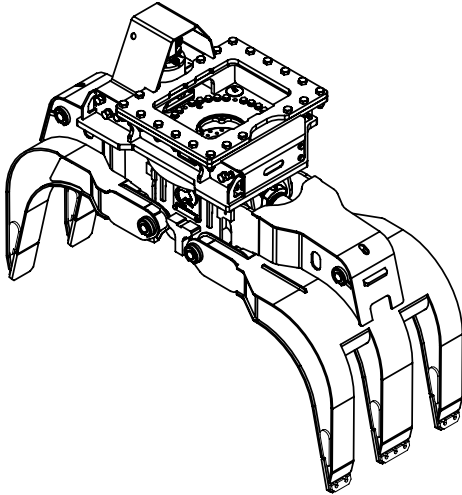
web site: [www.rotobec.com](http://www.rotobec.com)

email: [rotobec@rotobec.com](mailto:rotobec@rotobec.com)

**Rotobec Inc.:** Head office serving OEM's and Eastern Canada    Ph: (418) 383-3002 Fax: (418) 383-5334  
**Rotobec West:** Branch serving Western Canada and Western USA    Ph: (250) 765-1161 Fax: (250) 765-0035  
**Rotobec USA:** Branch serving Eastern and Central USA    Ph: (603) 444-2103 Fax: (603) 444-0327

We reserve the right to change specifications and to improve our products without notice or obligation.

07006-4374  
29/01/18 D.L.

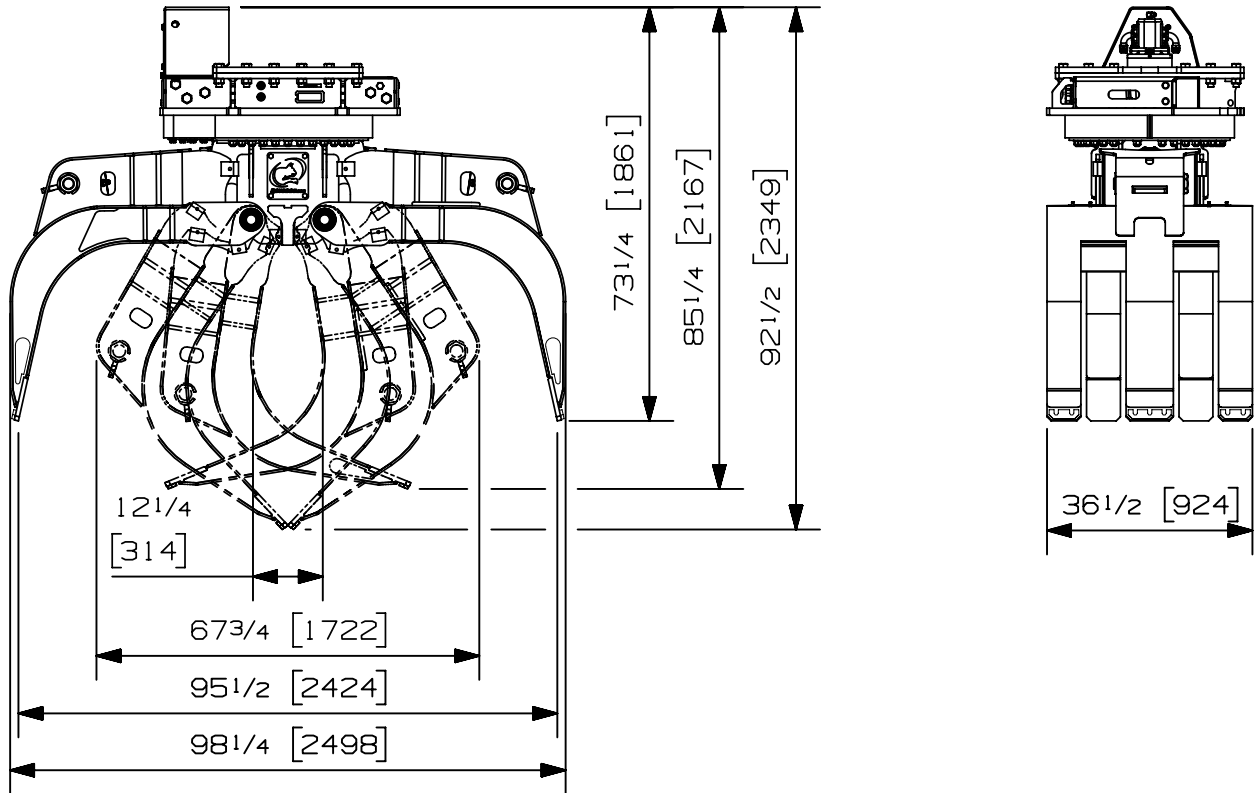


<b>Max load:</b>	n/a lb	n/a kg
<b>Volume:</b>	1.75 y <sup>3</sup>	1.34 m <sup>3</sup>
<b>Area tip to tip:</b>	7.60 ft <sup>2</sup>	.71 m <sup>2</sup>
<b>Rotator lifting capacity:</b>	130000 lb	58967 kg
<b>Torque at relief pressure:</b>	176750 lb-in 2200 psi	19970 Nm 152 bars
<b>Weight:</b>	4270 lb	1937 kg

<b>Rotator</b>	<b>Maximum pressure:</b> 5000 psi    345 bars	<b>Recommended flow:</b> 33 gpm    125 l/min
Rotator recommended flow will produce a speed of 15 rpm		

Cylinder	Diameter	Recommended pressure	Pressure range	Flow range	Lock valves
Standard	4 " (102 mm)	4000 psi (276 bars)	3000-5000 psi (207-345 bars)	25-37 gpm (95-140 l/min.)	no

Grapple cylinder maximum flow will theoretically produce a complete grapple open/close cycle in 4 seconds.



**Options:**

- CounterBalance valve option (20 lbs / 9 kg)
- See also RGP-1300 option for more options
- 
- 

web site: [www.rotobec.com](http://www.rotobec.com)

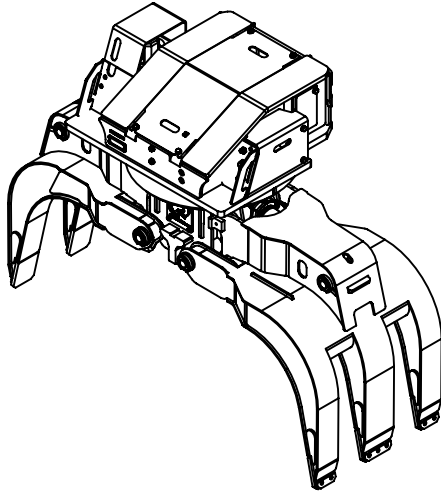
email: [rotobec@rotobec.com](mailto:rotobec@rotobec.com)

**Rotobec Inc.:** Head office serving OEM's and Eastern Canada    Ph: (418) 383-3002 Fax: (418) 383-5334  
**Rotobec West:** Branch serving Western Canada and Western USA    Ph: (250) 765-1161 Fax: (250) 765-0035  
**Rotobec USA:** Branch serving Eastern and Central USA    Ph: (603) 444-2103 Fax: (603) 444-0327

We reserve the right to change specifications and to improve our products without notice or obligation.

07004-6230  
06/02/18 D.L.



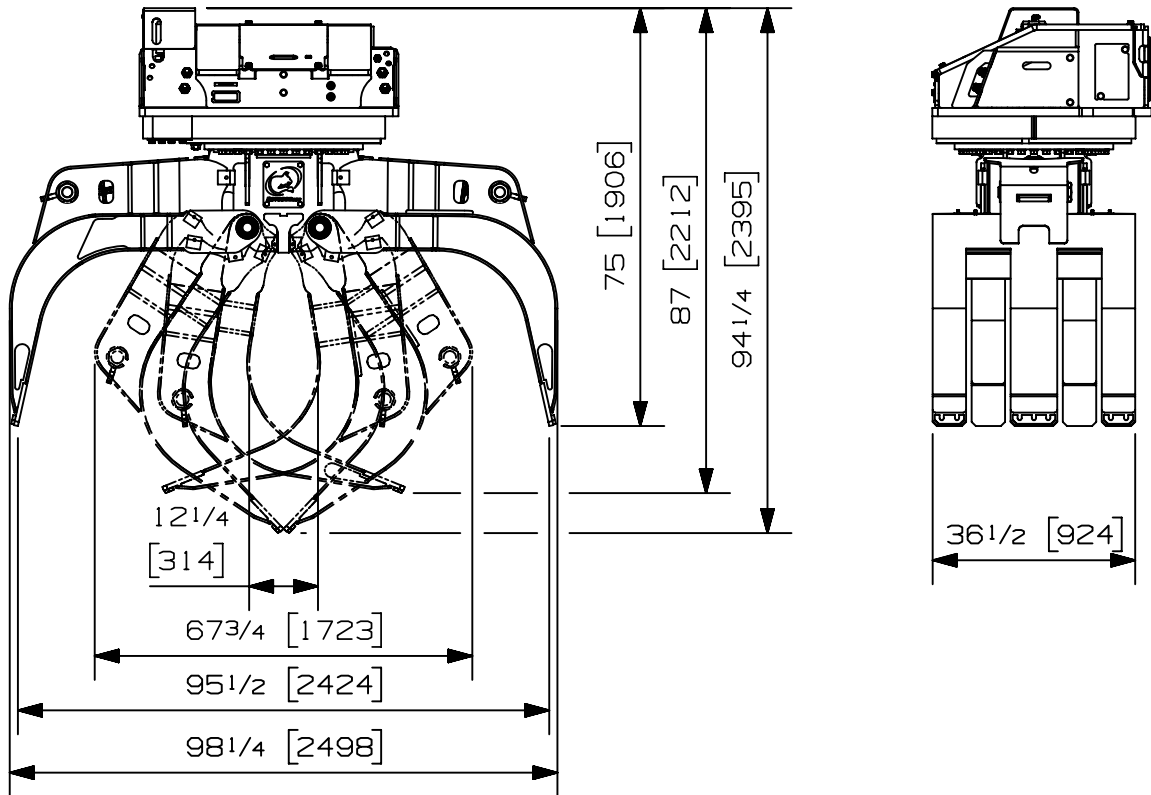


Max load:	n/a lb	n/a kg
Volume:	1.75 y <sup>3</sup>	1.34 m <sup>3</sup>
Area tip to tip:	7.60 ft <sup>2</sup>	.71 m <sup>2</sup>
Rotator lifting capacity:	170000 lb	77111 kg
Torque at relief pressure:	218520 lb-in 2200 psi	24689 Nm 152 bars
Weight:	5125 lb	2325 kg

Rotator	Maximum pressure: 5000 psi    345 bars	Recommended flow: 32 gpm    121 l/min
Rotator recommended flow will produce a speed of 12 rpm		

Cylinder	Diameter	Recommended pressure	Pressure range	Flow range	Lock valves
Standard	4 " (102 mm)	4000 psi (276 bars)	3000-5000 psi (207-345 bars)	25-37 gpm (95-140 l/min.)	no

Grapple cylinder maximum flow will theoretically produce a complete grapple open/close cycle in 4 seconds.



Options:

- CounterBalance valve option (20 lbs / 9 kg)
- See also RGP-1702A option for more options
- 
- 

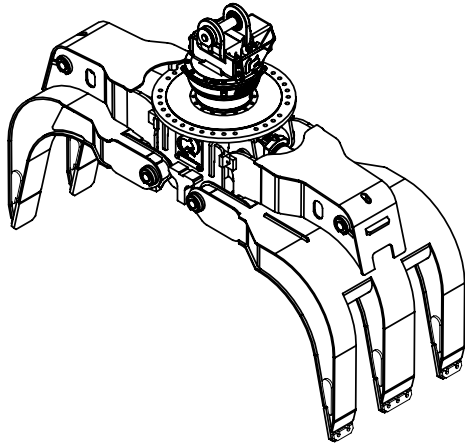
web site: [www.rotobec.com](http://www.rotobec.com)

email: [rotobec@rotobec.com](mailto:rotobec@rotobec.com)

**Rotobec Inc.:** Head office serving OEM's and Eastern Canada    Ph: (418) 383-3002 Fax: (418) 383-5334  
**Rotobec West:** Branch serving Western Canada and Western USA    Ph: (250) 765-1161 Fax: (250) 765-0035  
**Rotobec USA:** Branch serving Eastern and Central USA    Ph: (603) 444-2103 Fax: (603) 444-0327

We reserve the right to change specifications and to improve our products without notice or obligation.

07003-9212  
29/01/18 D.L.

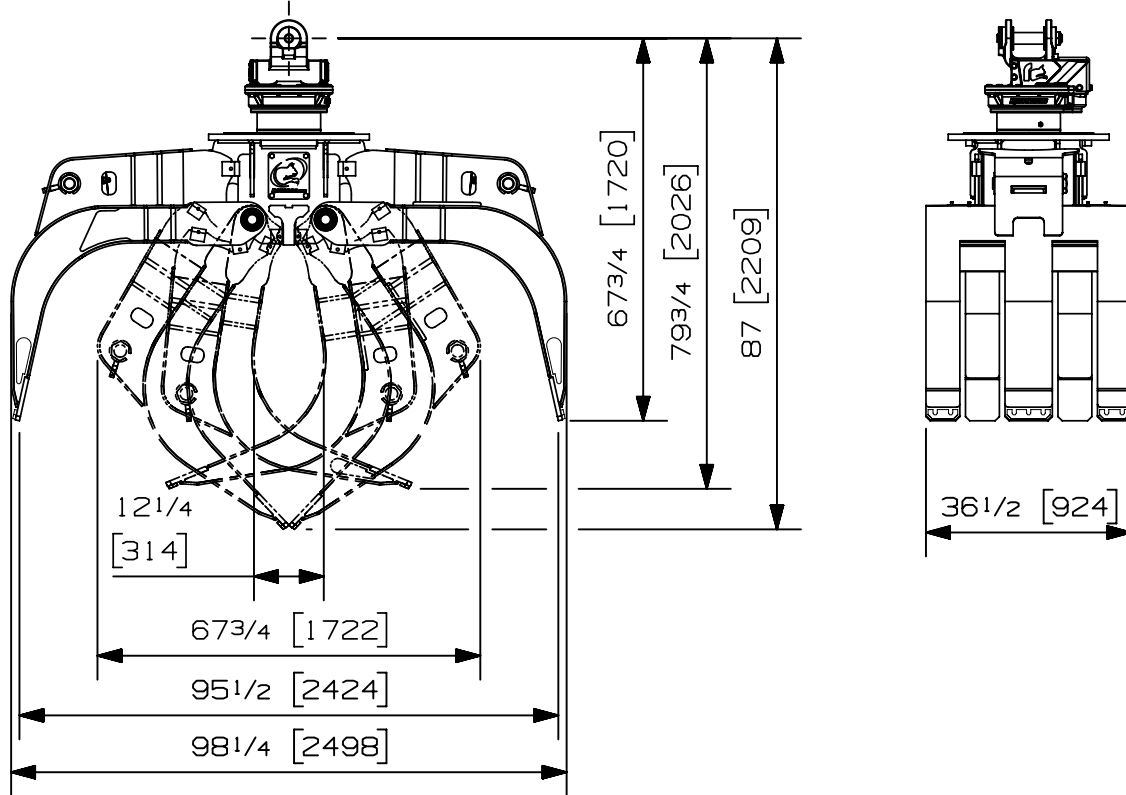


<b>Max load:</b>	n/a lb	n/a kg
<b>Volume:</b>	1.75 y <sup>3</sup>	1.34 m <sup>3</sup>
<b>Area tip to tip:</b>	7.60 ft <sup>2</sup>	.71 m <sup>2</sup>
<b>Rotator lifting capacity:</b>	50000 lb	22680 kg
<b>Torque at relief pressure:</b>	18630 lb-in 1450 psi	2105 Nm 100 bars
<b>Weight:</b>	3140 lb	1424 kg

<b>Rotator</b>	<b>Maximum pressure:</b> 5000 psi    345 bars	<b>Recommended flow:</b> 9 gpm    34 l/min
Rotator recommended flow will produce a speed of 25 rpm		

Cylinder	Diameter	Recommended pressure	Pressure range	Flow range	Lock valves
Standard	4 " (102 mm)	4000 psi (276 bars)	3000-5000 psi (207-345 bars)	25-37 gpm (95-140 l/min.)	no

Grapple cylinder maximum flow will theoretically produce a complete grapple open/close cycle in 4 seconds.



**Options:**

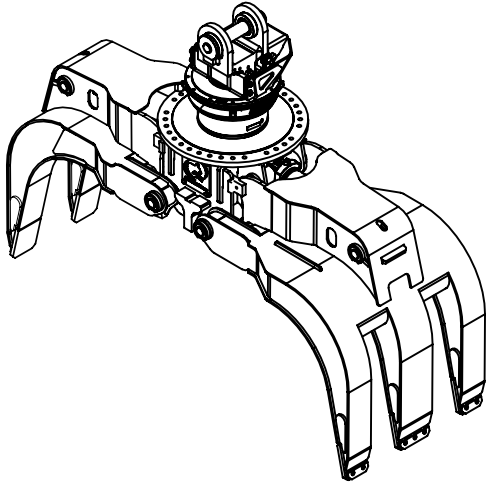
- CounterBalance valve option (20 lbs / 9 kg)
- 
- 
- 

web site: [www.rotobec.com](http://www.rotobec.com)

email: [rotobec@rotobec.com](mailto:rotobec@rotobec.com)

**Rotobec Inc.:** Head office serving OEM's and Eastern Canada  
**Rotobec West:** Branch serving Western Canada and Western USA  
**Rotobec USA:** Branch serving Eastern and Central USA

Ph: (418) 383-3002 Fax: (418) 383-5334  
 Ph: (250) 765-1161 Fax: (250) 765-0035  
 Ph: (603) 444-2103 Fax: (603) 444-0327

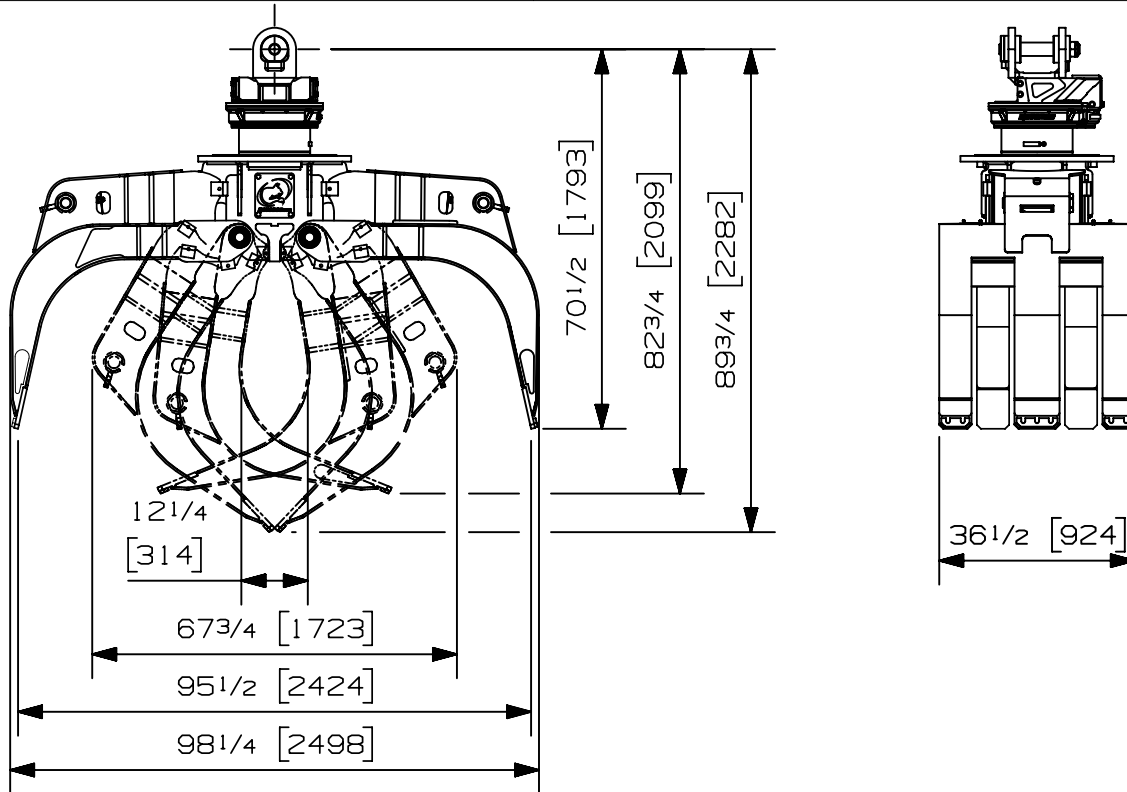


Max load:	n/a lb	n/a kg
Volume:	1.75 y <sup>3</sup>	1.34 m <sup>3</sup>
Area tip to tip:	7.60 ft <sup>2</sup>	.71 m <sup>2</sup>
Rotator lifting capacity:	100000 lb	45359 kg
Torque at relief pressure:	22360 lb-in 1450 psi	2526 Nm 100 bars
Weight:	3380 lb	1533 kg

Rotator	Maximum pressure: 5000 psi    345 bars	Recommended flow: 8 gpm    30 l/min
Rotator recommended flow will produce a speed of 20 rpm		

Cylinder	Diameter	Recommended pressure	Pressure range	Flow range	Lock valves
Standard	4 " (102 mm)	4000 psi (276 bars)	3000-5000 psi (207-345 bars)	25-37 gpm (95-140 l/min.)	no

Grapple cylinder maximum flow will theoretically produce a complete grapple open/close cycle in 4 seconds.



Options:

- CounterBalance valve option (20 lbs / 9 kg)
- 
- 
- 

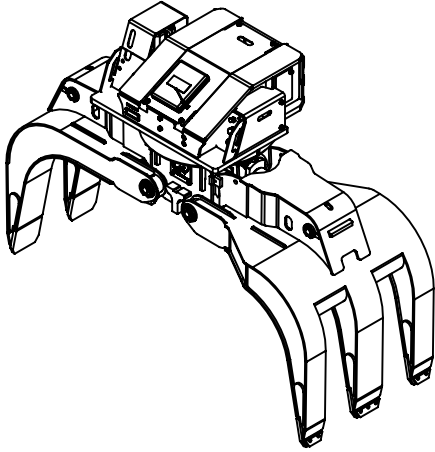
web site: [www.rotobec.com](http://www.rotobec.com)

email: [rotobec@rotobec.com](mailto:rotobec@rotobec.com)

Rotobec Inc.: Head office serving OEM's and Eastern Canada    Ph: (418) 383-3002 Fax: (418) 383-5334  
 Rotobec West: Branch serving Western Canada and Western USA    Ph: (250) 765-1161 Fax: (250) 765-0035  
 Rotobec USA: Branch serving Eastern and Central USA    Ph: (603) 444-2103 Fax: (603) 444-0327

We reserve the right to change specifications and to improve our products without notice or obligation.

07008-0849  
06/02/18 D.L.

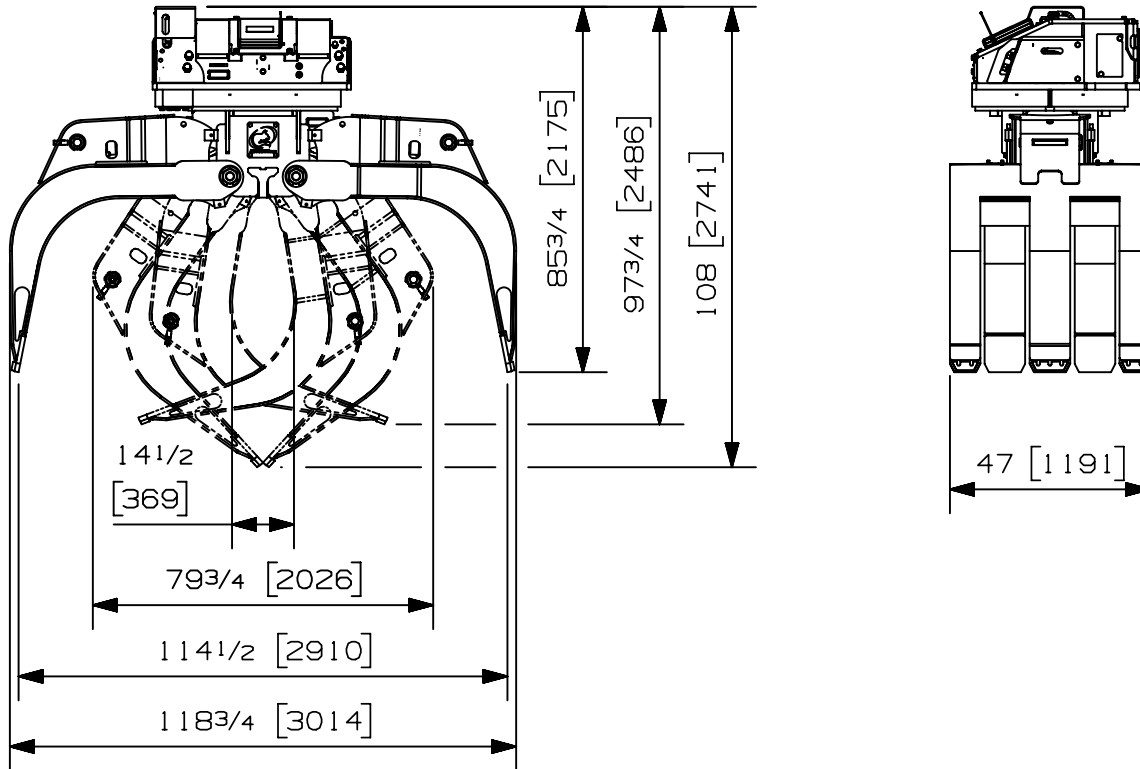


<b>Max load:</b>	n/a lb	n/a kg
<b>Volume:</b>	3.50 y <sup>3</sup>	2.68 m <sup>3</sup>
<b>Area tip to tip:</b>	12.00 ft <sup>2</sup>	1.11 m <sup>2</sup>
<b>Rotator lifting capacity:</b>	170000 lb	77111 kg
<b>Torque at relief pressure:</b>	218520 lb-in 2200 psi	24689 Nm 152 bars
<b>Weight:</b>	7055 lb	3200 kg

<b>Rotator</b>	<b>Maximum pressure:</b> 5000 psi    345 bars	<b>Recommended flow:</b> 32 gpm    121 l/min
Rotator recommended flow will produce a speed of 12 rpm		

Cylinder	Diameter	Recommended pressure	Pressure range	Flow range	Lock valves
Standard	4 1/2 " (114 mm)	4000 psi (276 bars)	3000-5000 psi (207-345 bars)	29-41 gpm (110-155 l/min.)	no

Grapple cylinder maximum flow will theoretically produce a complete grapple open/close cycle in 5 seconds.



**Options:**

- CounterBalance valve option (20 lbs / 9 kg)
- See also RGP-1702 option for more options

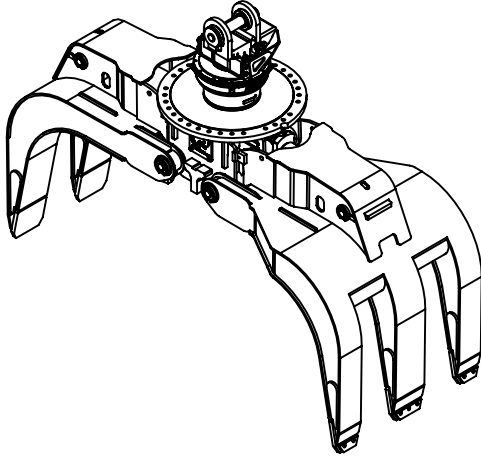
web site: [www.rotobec.com](http://www.rotobec.com)

email: [rotobec@rotobec.com](mailto:rotobec@rotobec.com)

**Rotobec Inc.:** Head office serving OEM's and Eastern Canada    Ph: (418) 383-3002 Fax: (418) 383-5334  
**Rotobec West:** Branch serving Western Canada and Western USA    Ph: (250) 765-1161 Fax: (250) 765-0035  
**Rotobec USA:** Branch serving Eastern and Central USA    Ph: (603) 444-2103 Fax: (603) 444-0327

We reserve the right to change specifications and to improve our products without notice or obligation.

07008-0808  
12/02/18 D.L.

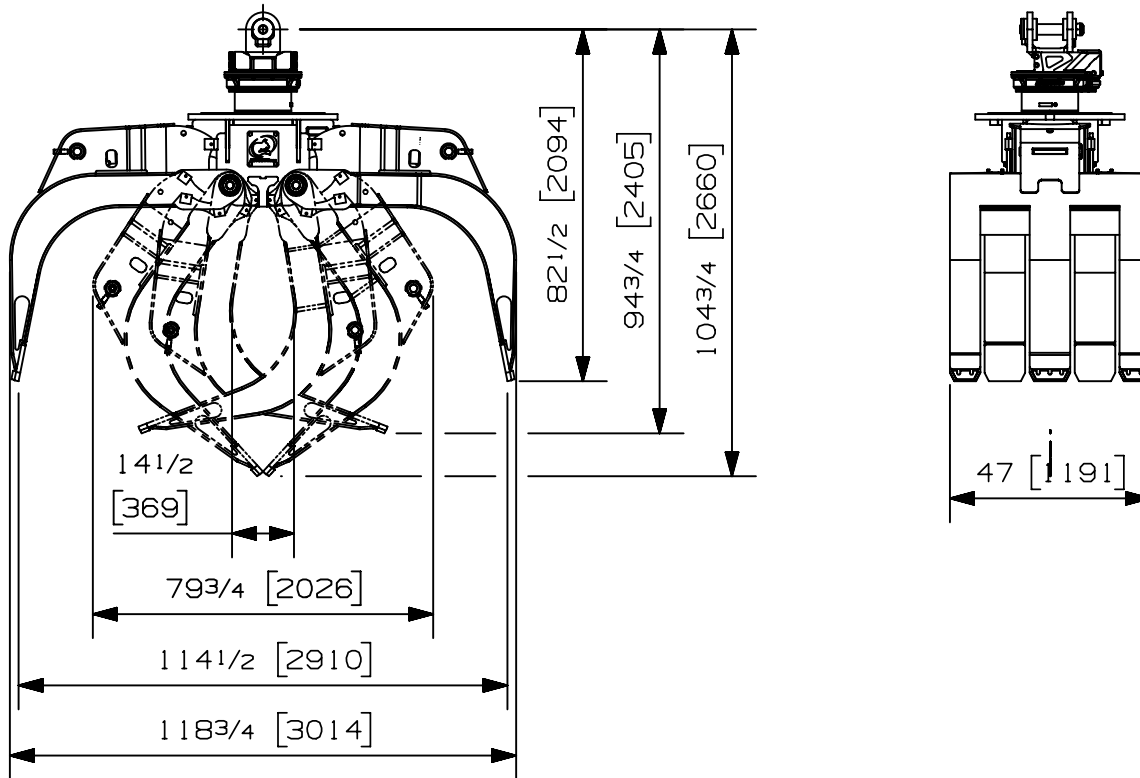


Max load:	n/a lb	n/a kg
Volume:	3.50 y <sup>3</sup>	2.68 m <sup>3</sup>
Area tip to tip:	12.00 ft <sup>2</sup>	1.11 m <sup>2</sup>
Rotator lifting capacity:	100000 lb	45359 kg
Torque at relief pressure:	22360 lb-in	2526 Nm
	1450 psi	100 bars
Weight:	5520 lb	2504 kg

Rotator	Maximum pressure: 5000 psi	345 bars	Recommended flow: 8 gpm	30 l/min
Rotator recommended flow will produce a speed of 20 rpm				

Cylinder	Diameter	Recommended pressure	Pressure range	Flow range	Lock valves
Standard	4 1/2 " (114 mm)	4000 psi (276 bars)	3000-5000 psi (207-345 bars)	29-41 gpm (110-155 l/min.)	no

Grapple cylinder maximum flow will theoretically produce a complete grapple open/close cycle in 5 seconds.



Options:

- CounterBalance valve option (20 lbs / 9 kg)

web site: [www.rotobec.com](http://www.rotobec.com)

email: [rotobec@rotobec.com](mailto:rotobec@rotobec.com)

Rotobec Inc.: Head office serving OEM's and Eastern Canada Ph: (418) 383-3002 Fax: (418) 383-5334  
 Rotobec West: Branch serving Western Canada and Western USA Ph: (250) 765-1161 Fax: (250) 765-0035  
 Rotobec USA: Branch serving Eastern and Central USA Ph: (603) 444-2103 Fax: (603) 444-0327

We reserve the right to change specifications and to improve our products without notice or obligation.

07008-0382  
12/02/18 D.L.