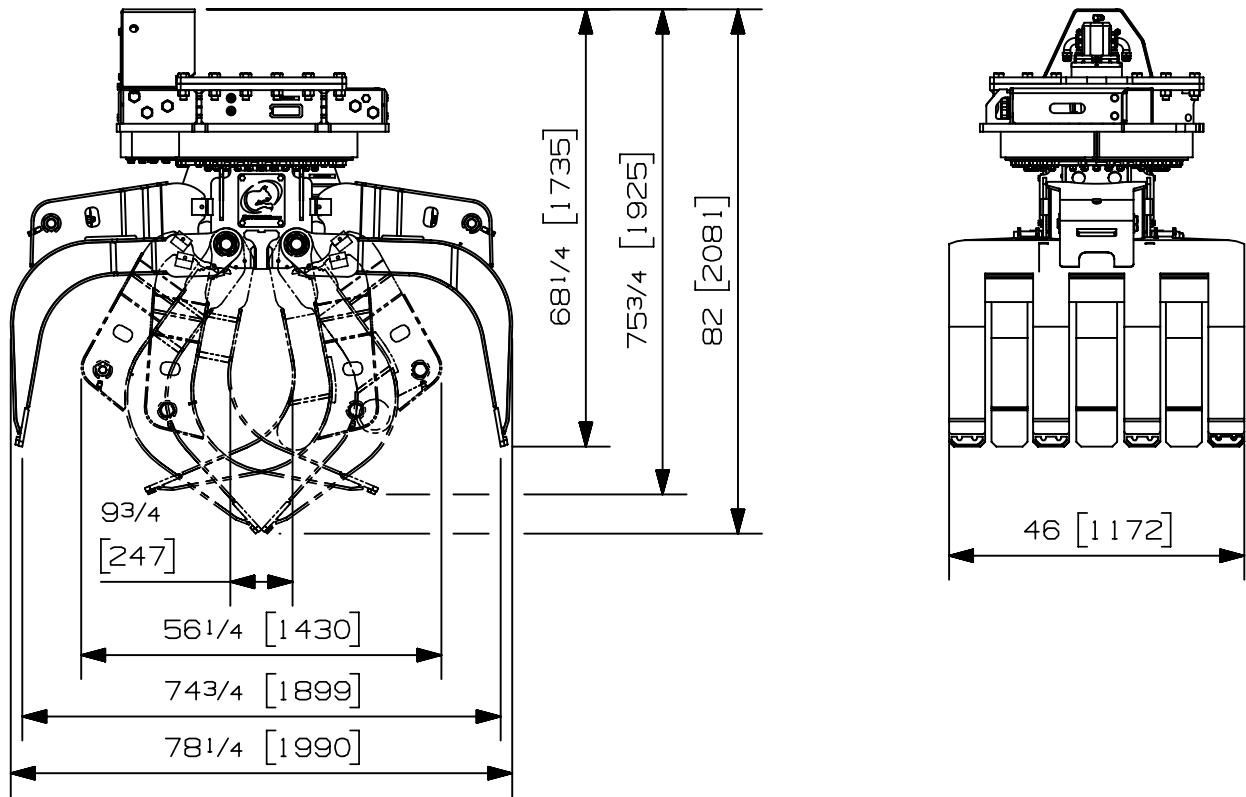


Max load:	n/a lb	n/a kg
Volume:	1.25 y ³	.96 m ³
Area tip to tip:	5.10 ft ²	.47 m ²
Rotator lifting capacity:	130000 lb	58967 kg
Torque at relief pressure:	176750 lb-in 2200 psi	19970 Nm 152 bars
Weight:	3740 lb	1696 kg

Rotator	Maximum pressure: 5000 psi 345 bars	Recommended flow: 33 gpm 125 l/min
Rotator recommended flow will produce a speed of 15 rpm		

Cylinder	Diameter	Recommended pressure	Pressure range	Flow range	Lock valves
Standard	3 1/2 " (89 mm)	4000 psi (276 bars)	3000-5000 psi (207-345 bars)	14-20 gpm (53-76 l/min.)	no

Grapple cylinder maximum flow will theoretically produce a complete grapple open/close cycle in 4 seconds.



Options:

- Optional scraper kit (with stand) (N/A)
- CounterBalance valve option (20 lbs / 9 kg)
- See also RGP-1300A option for more options

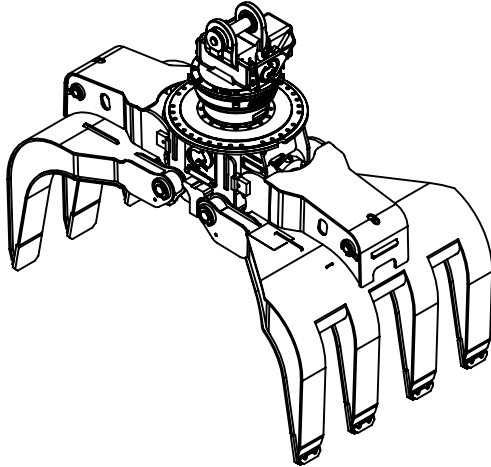
web site: www.rotobec.com

email: rotobec@rotobec.com

Rotobec Inc.: Head office serving OEM's and Eastern Canada Ph: (418) 383-3002 Fax: (418) 383-5334
 Rotobec West: Branch serving Western Canada and Western USA Ph: (250) 765-1161 Fax: (250) 765-0035
 Rotobec USA: Branch serving Eastern and Central USA Ph: (603) 444-2103 Fax: (603) 444-0327

We reserve the right to change specifications and to improve our products without notice or obligation.

07004-6060
22/02/18 D.L.

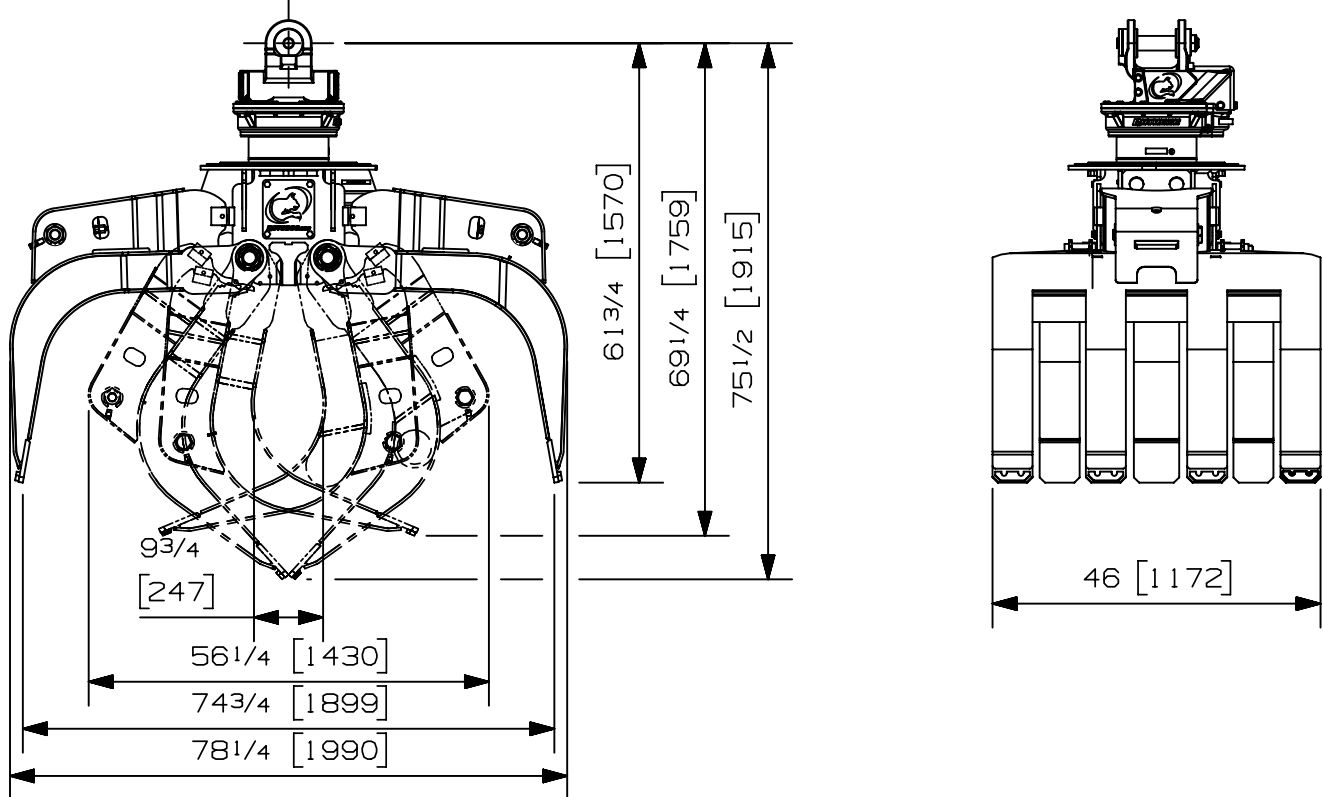


Max load:	n/a lb	n/a kg
Volume:	1.25 y ³	.96 m ³
Area tip to tip:	5.10 ft ²	.47 m ²
Rotator lifting capacity:	50000 lb	22680 kg
Torque at relief pressure:	18630 lb-in 1450 psi	2105 Nm 100 bars
Weight:	2515 lb	1141 kg

Rotator	Maximum pressure: 5000 psi 345 bars	Recommended flow: 9 gpm 34 l/min
Rotator recommended flow will produce a speed of 25 rpm		

Cylinder	Diameter	Recommended pressure	Pressure range	Flow range	Lock valves
Standard	3 1/2 " (89 mm)	4000 psi (276 bars)	3000-5000 psi (207-345 bars)	14-20 gpm (53-76 l/min.)	no

Grapple cylinder maximum flow will theoretically produce a complete grapple open/close cycle in 4 seconds.



Options:

- Optional scraper kit (with stand) (N/A)
- CounterBalance valve option (20 lbs / 9 kg)
-
-

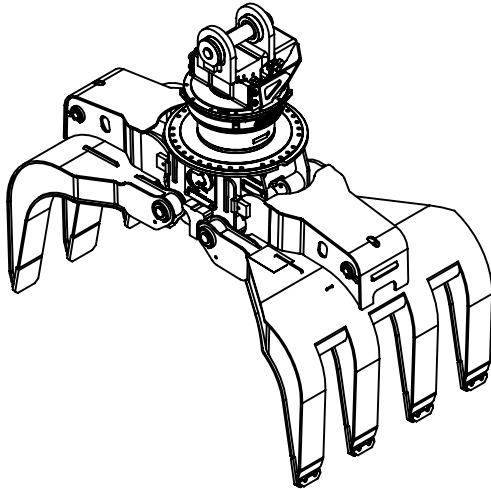
web site: www.rotobec.com

email: rotobec@rotobec.com

Rotobec Inc.: Head office serving OEM's and Eastern Canada Ph: (418) 383-3002 Fax: (418) 383-5334
 Rotobec West: Branch serving Western Canada and Western USA Ph: (250) 765-1161 Fax: (250) 765-0035
 Rotobec USA: Branch serving Eastern and Central USA Ph: (603) 444-2103 Fax: (603) 444-0327

We reserve the right to change specifications and to improve our products without notice or obligation.

07006-6906
05/02/18 D.L.

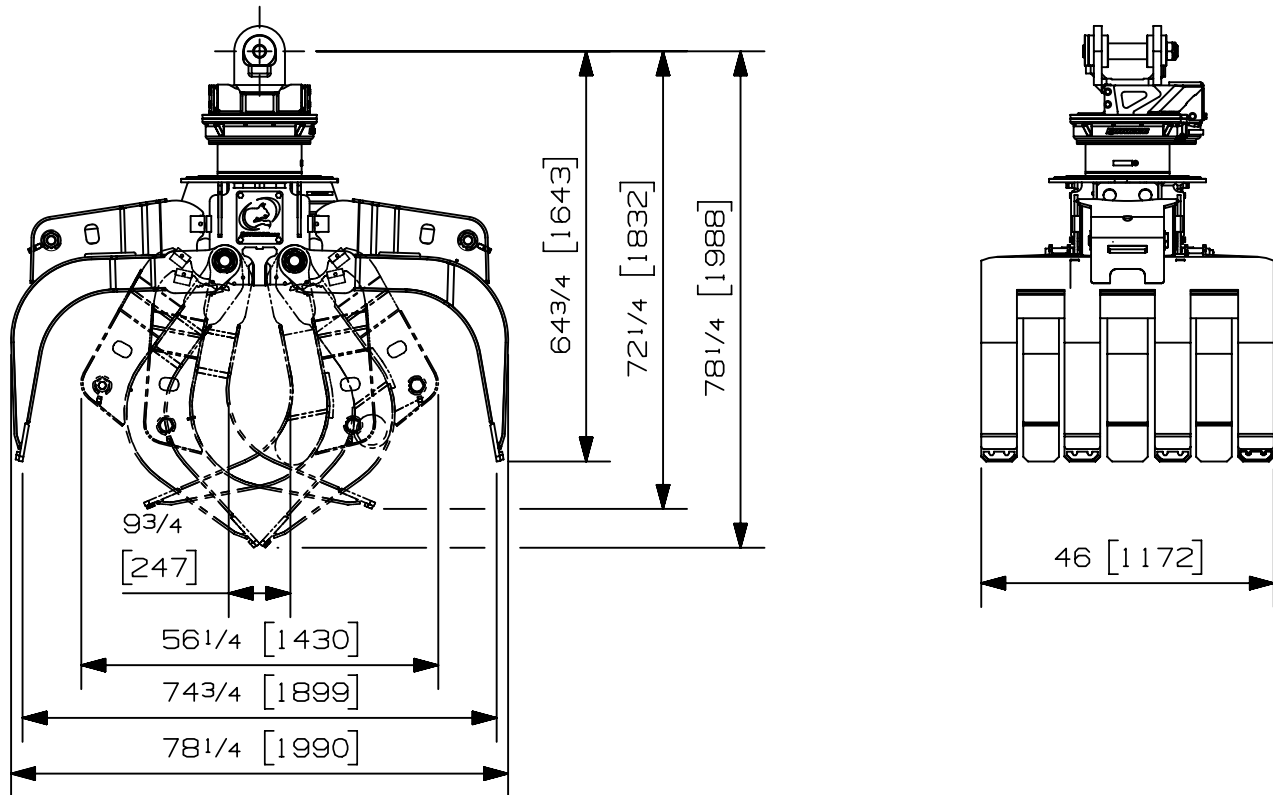


Max load:	n/a lb	n/a kg
Volume:	1.25 y ³	.96 m ³
Area tip to tip:	5.10 ft ²	.47 m ²
Rotator lifting capacity:	100000 lb	45359 kg
Torque at relief pressure:	22360 lb-in	2526 Nm
	1450 psi	100 bars
Weight:	2755 lb	1250 kg

Rotator	Maximum pressure: 5000 psi 345 bars	Recommended flow: 8 gpm 30 l/min
Rotator recommended flow will produce a speed of 20 rpm		

Cylinder	Diameter	Recommended pressure	Pressure range	Flow range	Lock valves
Standard	3 1/2 " (89 mm)	4000 psi (276 bars)	3000-5000 psi (207-345 bars)	14-20 gpm (53-76 l/min.)	no

Grapple cylinder maximum flow will theoretically produce a complete grapple open/close cycle in 4 seconds.



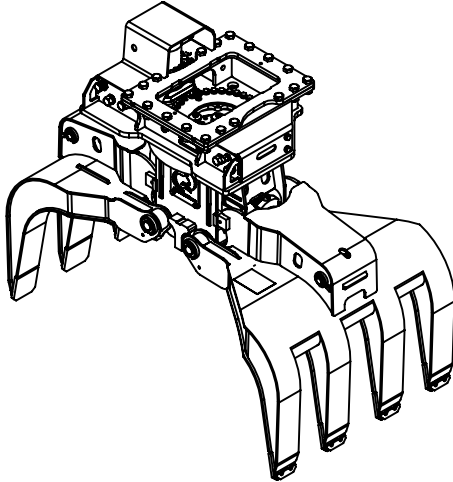
Options:

- Optional scraper kit (with stand) (N/A)
- CounterBalance valve option (20 lbs / 9 kg)
-
-

web site: www.rotobec.com

email: rotobec@rotobec.com

Rotobec Inc.: Head office serving OEM's and Eastern Canada Ph: (418) 383-3002 Fax: (418) 383-5334
Rotobec West: Branch serving Western Canada and Western USA Ph: (250) 765-1161 Fax: (250) 765-0035
Rotobec USA: Branch serving Eastern and Central USA Ph: (603) 444-2103 Fax: (603) 444-0327

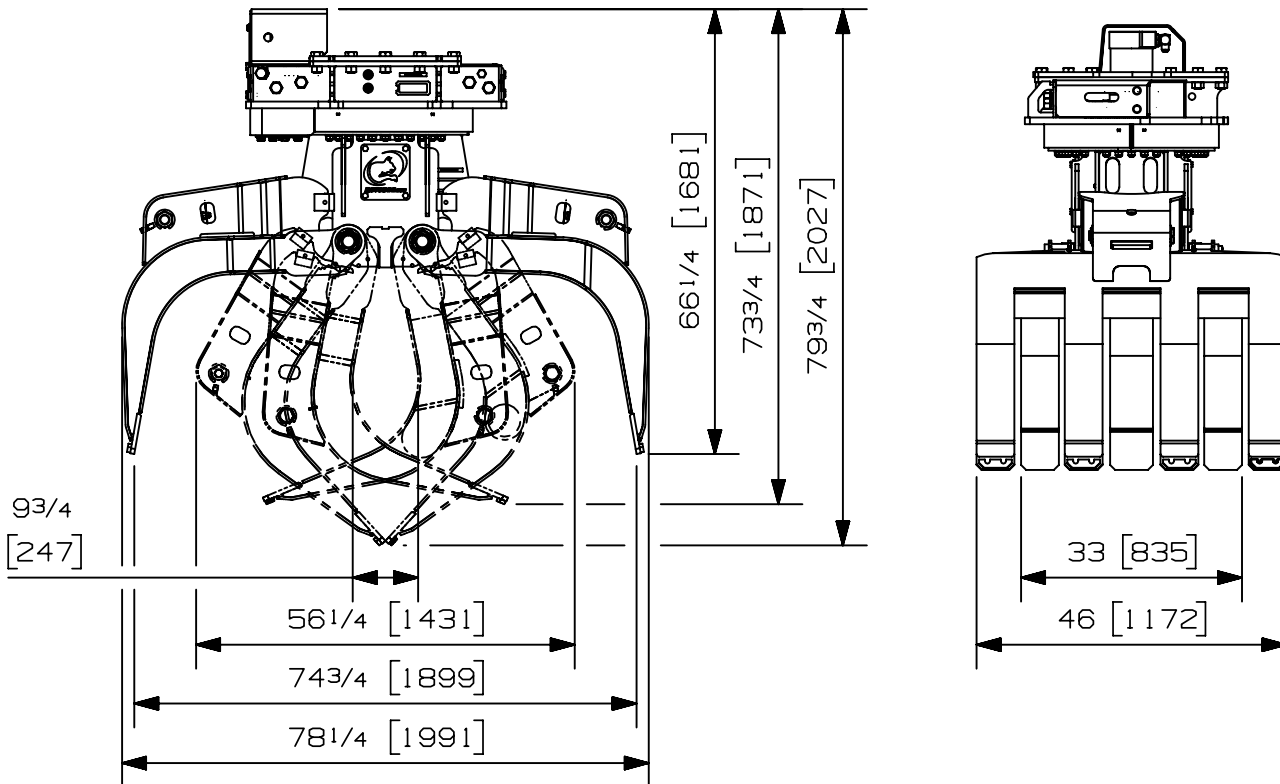


Max load:	n/a lb	n/a kg
Volume:	1.25 y ³	.96 m ³
Area tip to tip:	5.10 ft ²	.47 m ²
Rotator lifting capacity:	90000 lb	40823 kg
Torque at relief pressure:	148710 lb-in	16802 Nm
	2200 psi	152 bars
Weight:	3270 lb	1483 kg

Rotator	Maximum pressure: 5000 psi 345 bars	Recommended flow: 28 gpm 106 l/min
Rotator recommended flow will produce a maximum speed of 15 rpm		

Cylinder	Diameter	Recommended pressure	Pressure range	Flow range	Lock valves
Standard	3 1/2 " (89 mm)	4000 psi (276 bars)	3000-5000 psi (207-345 bars)	14-20 gpm (53-76 l/min.)	no

Grapple cylinder maximum flow will theoretically produce a complete grapple open/close cycle in 4 seconds.



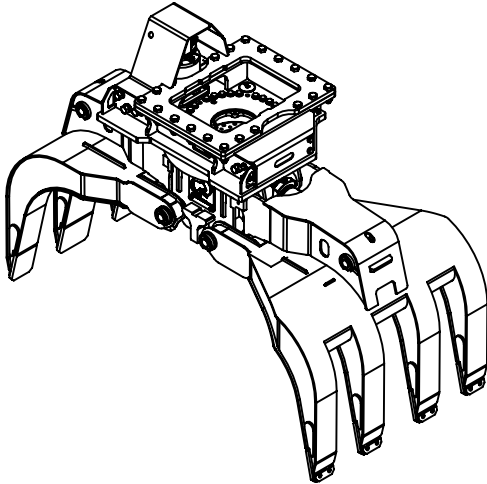
Options:

- Optional scraper kit (with stand) (n/a)
- Load-holding valve option (n/a)
- See also RGP-900 for more options

web site: www.rotobec.com

email: rotobec@rotobec.com

Rotobec Inc.: Head office serving OEM's and Eastern Canada Ph: (418) 383-3002 Fax: (418) 383-5334
Rotobec West: Branch serving Western Canada and Western USA Ph: (250) 765-1161 Fax: (250) 765-0035
Rotobec USA: Branch serving Eastern and Central USA Ph: (603) 444-2103 Fax: (603) 444-0327

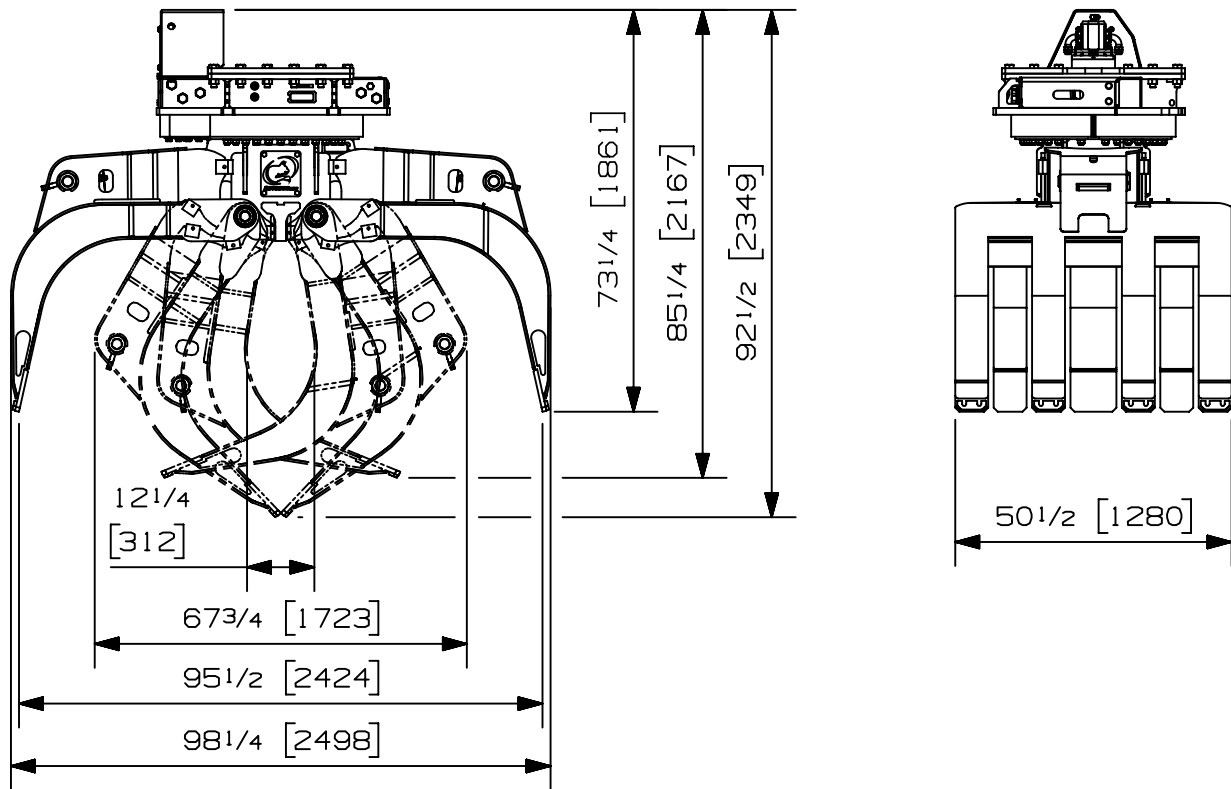


Max load:	n/a lb	n/a kg
Volume:	2.00 y ³	1.53 m ³
Area tip to tip:	7.60 ft ²	.71 m ²
Rotator lifting capacity:	130000 lb	58967 kg
Torque at relief pressure:	176750 lb-in 2200 psi	19970 Nm 152 bars
Weight:	4615 lb	2093 kg

Rotator	Maximum pressure: 5000 psi 345 bars	Recommended flow: 33 gpm 125 l/min
Rotator recommended flow will produce a speed of 15 rpm		

Cylinder	Diameter	Recommended pressure	Pressure range	Flow range	Lock valves
Standard	4 " (102 mm)	4000 psi (276 bars)	3000-5000 psi (207-345 bars)	25-37 gpm (95-140 l/min.)	no

Grapple cylinder maximum flow will theoretically produce a complete grapple open/close cycle in 4 seconds.



Options:

- Optional scraper kit (with stand) (N/A)
- CounterBalance valve option (20 lbs / 9 kg)
- See also RGP-1300 option for more options

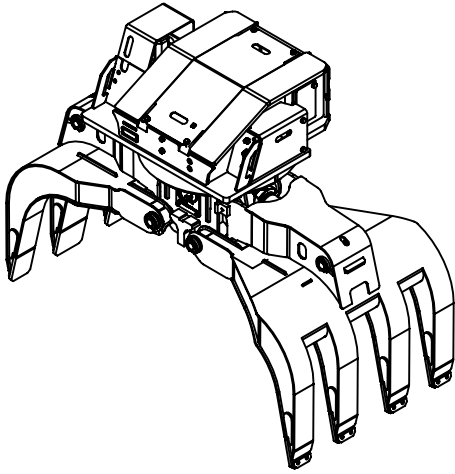
web site: www.rotobec.com

email: rotobec@rotobec.com

Rotobec Inc.: Head office serving OEM's and Eastern Canada Ph: (418) 383-3002 Fax: (418) 383-5334
Rotobec West: Branch serving Western Canada and Western USA Ph: (250) 765-1161 Fax: (250) 765-0035
Rotobec USA: Branch serving Eastern and Central USA Ph: (603) 444-2103 Fax: (603) 444-0327

We reserve the right to change specifications and to improve our products without notice or obligation.

07004-6061
23/02/18 D.L.

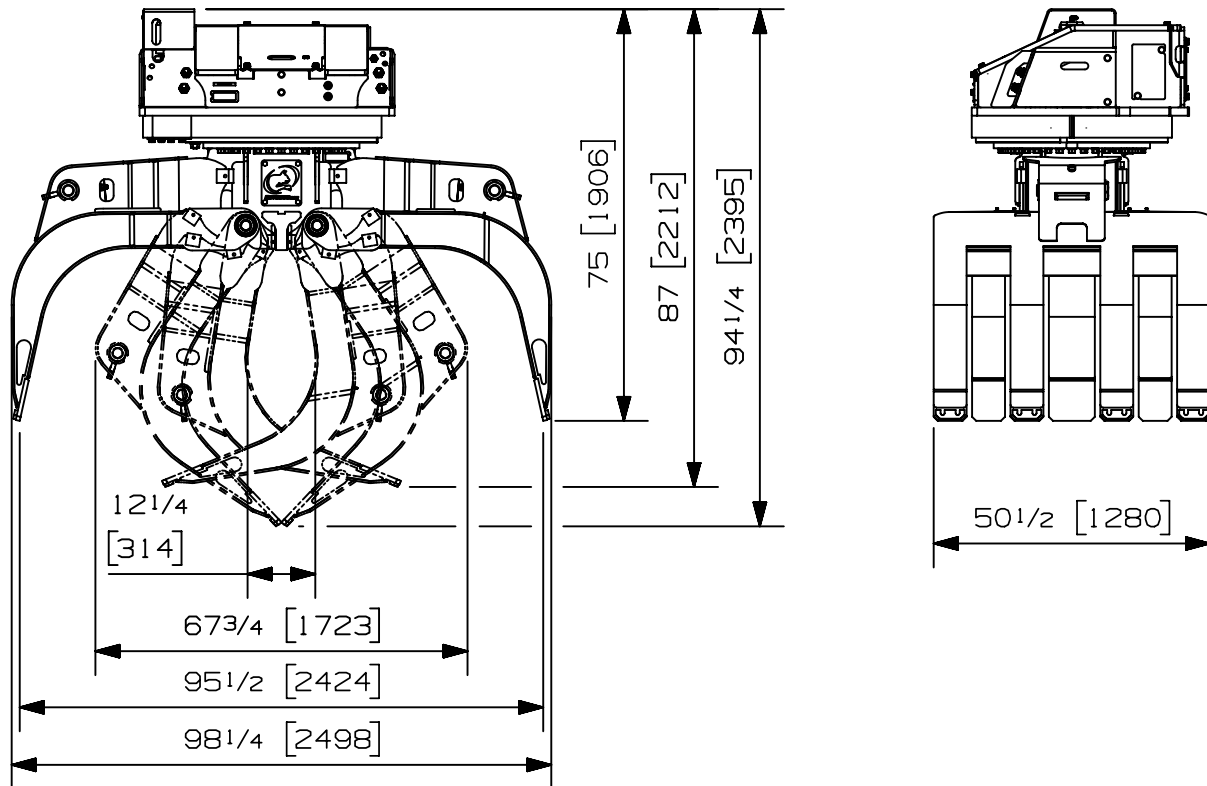


Max load:	n/a lb	n/a kg
Volume:	2.00 y ³	1.53 m ³
Area tip to tip:	7.60 ft ²	.71 m ²
Rotator lifting capacity:	170000 lb	77111 kg
Torque at relief pressure:	218520 lb-in 2200 psi	24689 Nm 152 bars
Weight:	5470 lb	2481 kg

Rotator	Maximum pressure: 5000 psi 345 bars	Recommended flow: 32 gpm 121 l/min
Rotator recommended flow will produce a speed of 12 rpm		

Cylinder	Diameter	Recommended pressure	Pressure range	Flow range	Lock valves
Standard	4 " (102 mm)	4000 psi (276 bars)	3000-5000 psi (207-345 bars)	25-37 gpm (95-140 l/min.)	no

Grapple cylinder maximum flow will theoretically produce a complete grapple open/close cycle in 4 seconds.



Options:

- Optional scrapper kit (with stand) (N/A)
- CounterBalance valve option (20 lbs / 9 kg)
- See also RGP-1702A option for more options

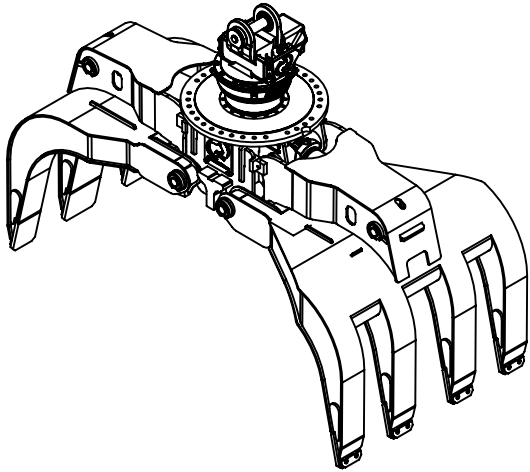
web site: www.rotobec.com

email: rotobec@rotobec.com

Rotobec Inc.: Head office serving OEM's and Eastern Canada Ph: (418) 383-3002 Fax: (418) 383-5334
 Rotobec West: Branch serving Western Canada and Western USA Ph: (250) 765-1161 Fax: (250) 765-0035
 Rotobec USA: Branch serving Eastern and Central USA Ph: (603) 444-2103 Fax: (603) 444-0327

We reserve the right to change specifications and to improve our products without notice or obligation.

07008-1224
06/03/18 D.L.

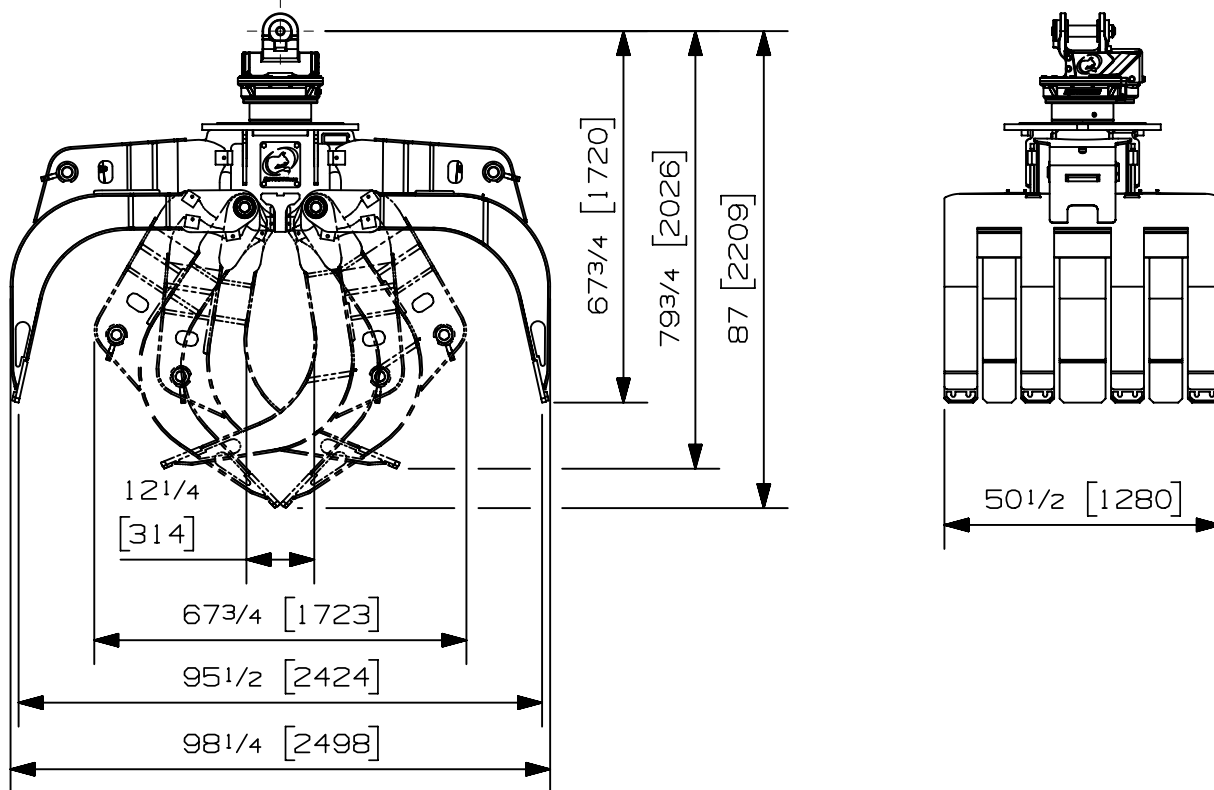


Max load:	n/a lb	n/a kg
Volume:	2.00 y ³	1.53 m ³
Area tip to tip:	7.60 ft ²	.71 m ²
Rotator lifting capacity:	50000 lb	22680 kg
Torque at relief pressure:	18630 lb-in 1450 psi	2105 Nm 100 bars
Weight:	3485 lb	1581 kg

Rotator	Maximum pressure: 5000 psi 345 bars	Recommended flow: 9 gpm 34 l/min
Rotator recommended flow will produce a speed of 25 rpm		

Cylinder	Diameter	Recommended pressure	Pressure range	Flow range	Lock valves
Standard	4 " (102 mm)	4000 psi (276 bars)	3000-5000 psi (207-345 bars)	25-37 gpm (95-140 l/min.)	no

Grapple cylinder maximum flow will theoretically produce a complete grapple open/close cycle in 4 seconds.



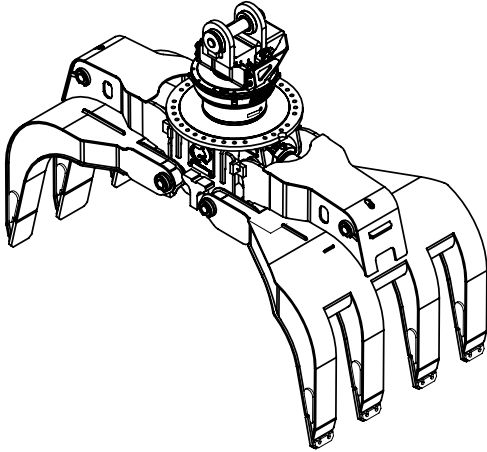
Options:

- Optional scraper kit (with stand) (N/A)
- CounterBalance valve option (20 lbs / 9 kg)
-
-

web site: www.rotobec.com

email: rotobec@rotobec.com

Rotobec Inc.: Head office serving OEM's and Eastern Canada Ph: (418) 383-3002 Fax: (418) 383-5334
Rotobec West: Branch serving Western Canada and Western USA Ph: (250) 765-1161 Fax: (250) 765-0035
Rotobec USA: Branch serving Eastern and Central USA Ph: (603) 444-2103 Fax: (603) 444-0327

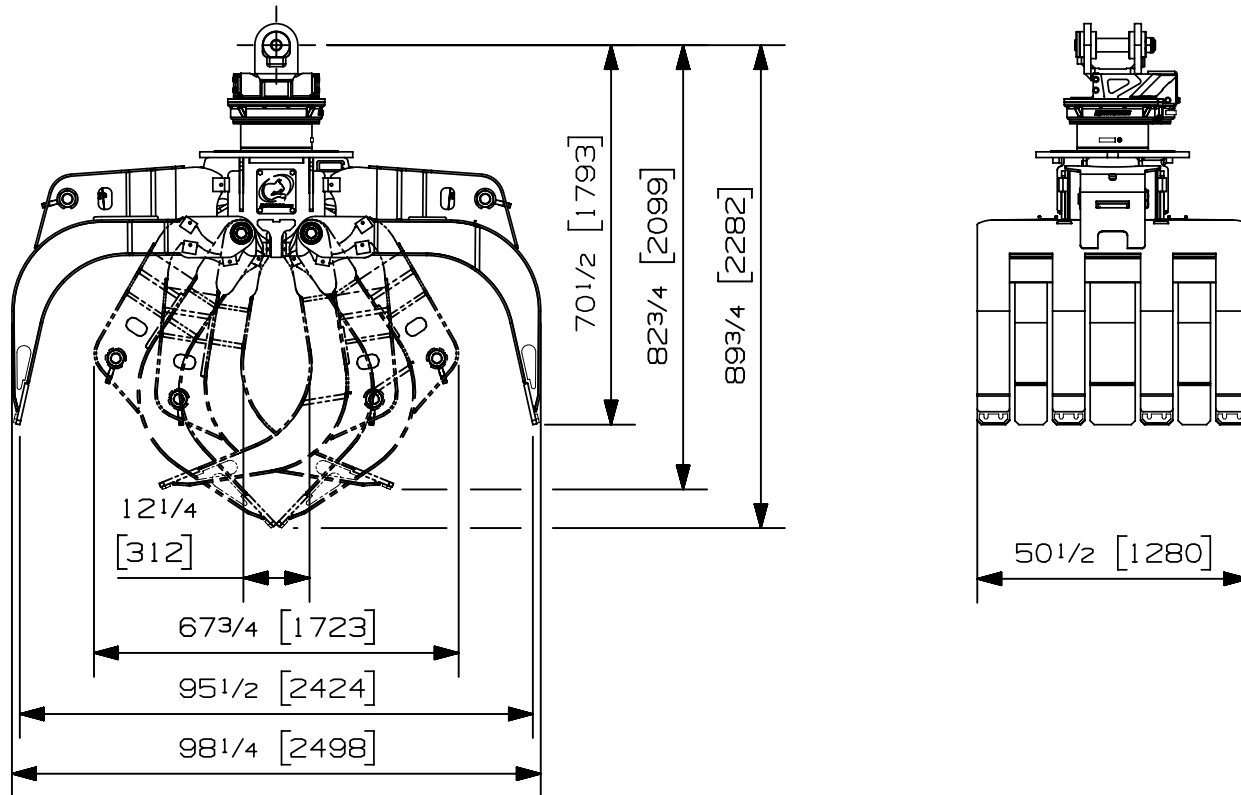


Max load:	n/a lb	n/a kg
Volume:	2.00 y ³	1.53 m ³
Area tip to tip:	7.60 ft ²	.71 m ²
Rotator lifting capacity:	100000 lb	45359 kg
Torque at relief pressure:	22360 lb-in 1450 psi	2526 Nm 100 bars
Weight:	3725 lb	1690 kg

Rotator	Maximum pressure: 5000 psi 345 bars	Recommended flow: 8 gpm 30 l/min
Rotator recommended flow will produce a speed of 20 rpm		

Cylinder	Diameter	Recommended pressure	Pressure range	Flow range	Lock valves
Standard	4 " (102 mm)	4000 psi (276 bars)	3000-5000 psi (207-345 bars)	25-37 gpm (95-140 l/min.)	no

Grapple cylinder maximum flow will theoretically produce a complete grapple open/close cycle in 4 seconds.



Options:

- Optional scraper kit (with stand) (N/A)
- CounterBalance valve option (20 lbs / 9 kg)
-
-

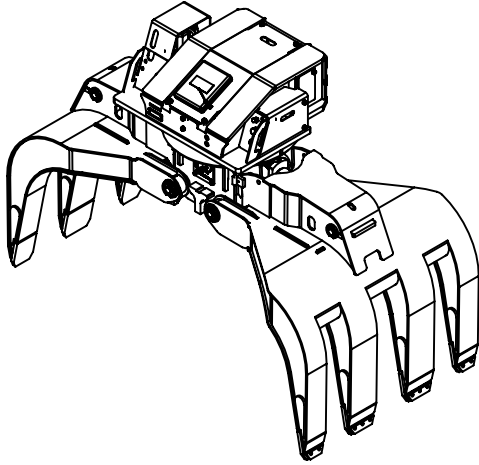
web site: www.rotobec.com

email: rotobec@rotobec.com

Rotobec Inc.: Head office serving OEM's and Eastern Canada Ph: (418) 383-3002 Fax: (418) 383-5334
Rotobec West: Branch serving Western Canada and Western USA Ph: (250) 765-1161 Fax: (250) 765-0035
Rotobec USA: Branch serving Eastern and Central USA Ph: (603) 444-2103 Fax: (603) 444-0327

We reserve the right to change specifications and to improve our products without notice or obligation.

07004-3642
22/02/18 D.L.

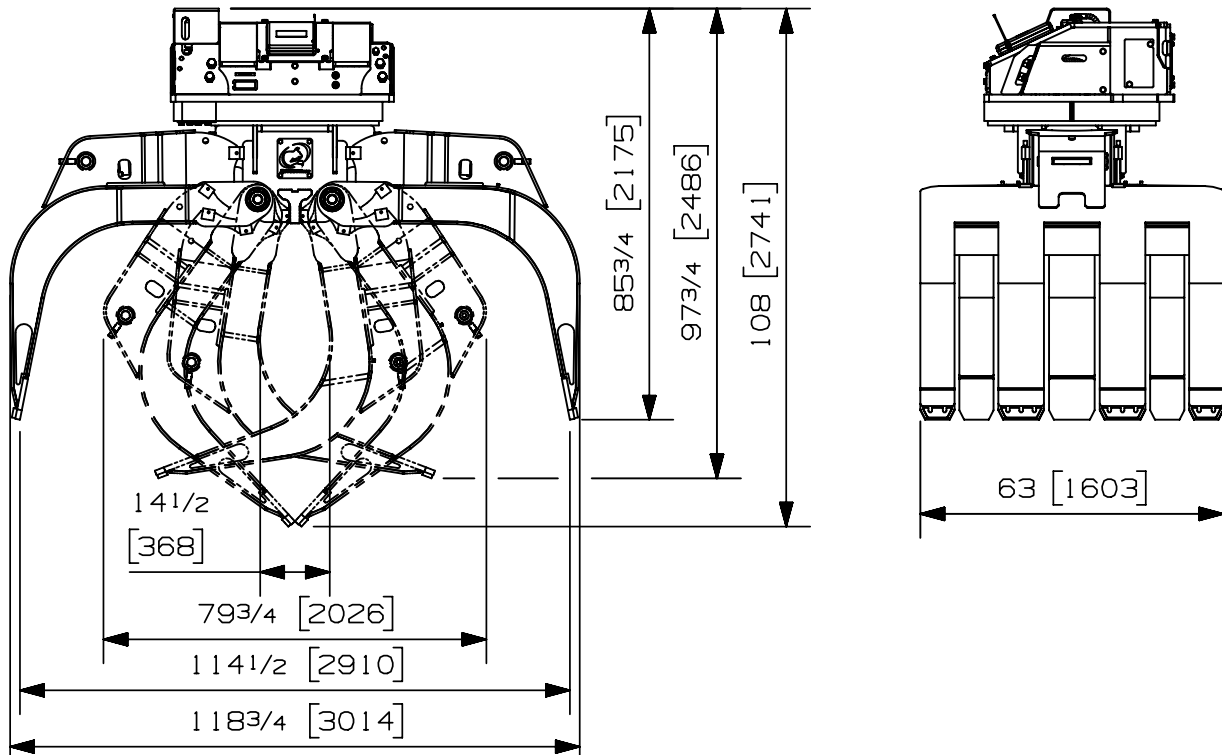


Max load:	n/a lb	n/a kg
Volume:	4.00 y ³	3.06 m ³
Area tip to tip:	12.00 ft ²	1.11 m ²
Rotator lifting capacity:	170000 lb	77111 kg
Torque at relief pressure:	218520 lb-in 2200 psi	24689 Nm 152 bars
Weight:	7765 lb	3522 kg

Rotator	Maximum pressure: 5000 psi 345 bars	Recommended flow: 32 gpm 121 l/min
Rotator recommended flow will produce a speed of 12 rpm		

Cylinder	Diameter	Recommended pressure	Pressure range	Flow range	Lock valves
Standard	4 1/2 " (114 mm)	4000 psi (276 bars)	3000-5000 psi (207-345 bars)	29-41 gpm (110-155 l/min.)	no

Grapple cylinder maximum flow will theoretically produce a complete grapple open/close cycle in 5 seconds.



Options:

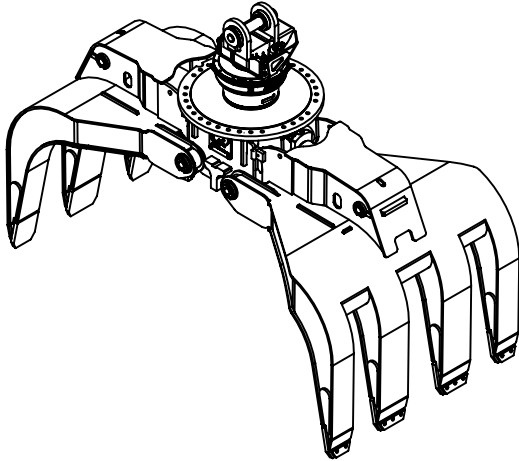
- Optional scrapper kit (with stand) (N/A)
- CounterBalance valve option (20 lbs / 9 kg)
- See also RGP-1702 option for more options

web site: www.rotobec.com

email: rotobec@rotobec.com

Rotobec Inc.: Head office serving OEM's and Eastern Canada
Rotobec West: Branch serving Western Canada and Western USA
Rotobec USA: Branch serving Eastern and Central USA

Ph: (418) 383-3002 Fax: (418) 383-5334
 Ph: (250) 765-1161 Fax: (250) 765-0035
 Ph: (603) 444-2103 Fax: (603) 444-0327

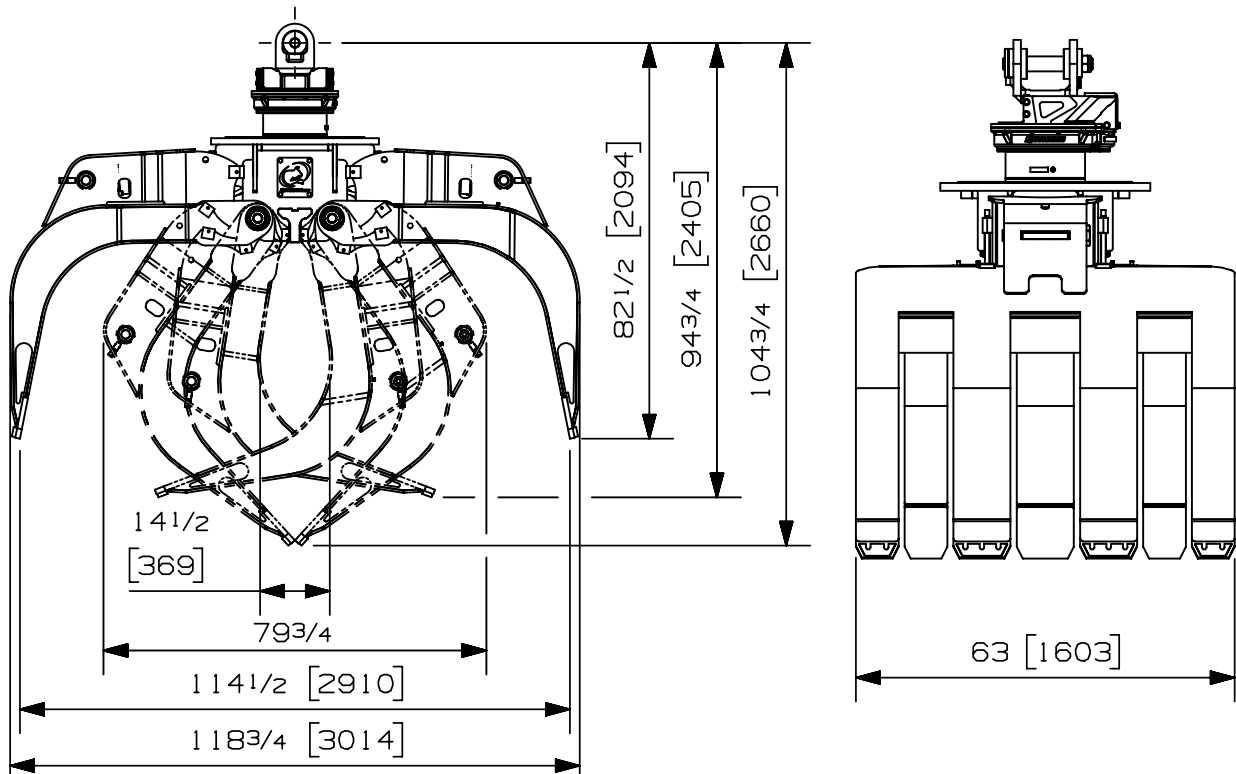


Max load:	n/a lb	n/a kg
Volume:	4.00 y ³	3.06 m ³
Area tip to tip:	12.00 ft ²	1.11 m ²
Rotator lifting capacity:	100000 lb	45359 kg
Torque at relief pressure:	22360 lb-in	2526 Nm
	1450 psi	100 bars
Weight:	6230 lb	2826 kg

Rotator	Maximum pressure: 5000 psi 345 bars	Recommended flow: 8 gpm 30 l/min
Rotator recommended flow will produce a speed of 20 rpm		

Cylinder	Diameter	Recommended pressure	Pressure range	Flow range	Lock valves
Standard	4 1/2 " (114 mm)	4000 psi (276 bars)	3000-5000 psi (207-345 bars)	29-41 gpm (110-155 l/min.)	no

Grapple cylinder maximum flow will theoretically produce a complete grapple open/close cycle in 5 seconds.



Options:

- Optional scrapper kit (with stand) (N/A)
- CounterBalance valve option (20 lbs / 9 kg)

web site: www.rotobec.com

email: rotobec@rotobec.com

Rotobec Inc.: Head office serving OEM's and Eastern Canada
Rotobec West: Branch serving Western Canada and Western USA
Rotobec USA: Branch serving Eastern and Central USA

Ph: (418) 383-3002 Fax: (418) 383-5334
 Ph: (250) 765-1161 Fax: (250) 765-0035
 Ph: (603) 444-2103 Fax: (603) 444-0327