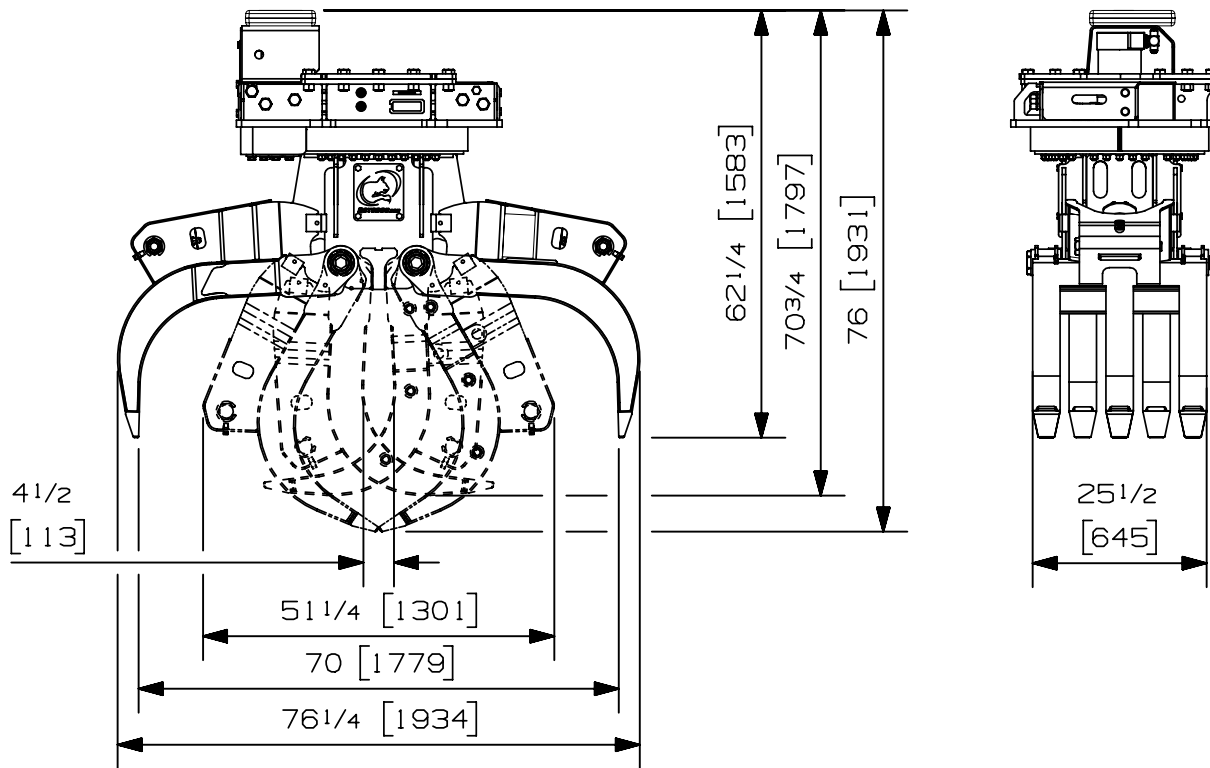


Max load:	n/a lb	n/a kg
Volume:	.25 cord of 8 ft	.91 m ³
Area tip to tip:	4.00 ft ²	.37 m ²
Rotator lifting capacity:	90000 lb	40823 kg
Torque at relief pressure:	148710 lb-in	16802 Nm
	2200 psi	152 bars
Weight:	2640 lb	1197 kg

Rotator	Maximum pressure: 5000 psi 345 bars	Recommended flow: 28 gpm 106 l/min
Rotator recommended flow will produce a maximum speed of 15 rpm		

Cylinder	Diameter	Recommended pressure	Pressure range	Flow range	Lock valves
Standard	3 1/2 " (89 mm)	4000 psi (276 bars)	3000-5000 psi (207-345 bars)	14-20 gpm (53-76 l/min.)	no

Grapple cylinder maximum flow will theoretically produce a complete grapple open/close cycle in 4 seconds.



Options:

- Mini heel set (73 lbs / 33 kg)
- Load holding valve (20 lbs / 9 kg)
- Synchronisation + CounterBalance valve option (N/D)
- Saw bundle 404 (saw included) (520 lbs / 236 kg)
- Saw bundle 750 (saw included) (760 lbs / 345 kg)
- See also RGP-900 for more options

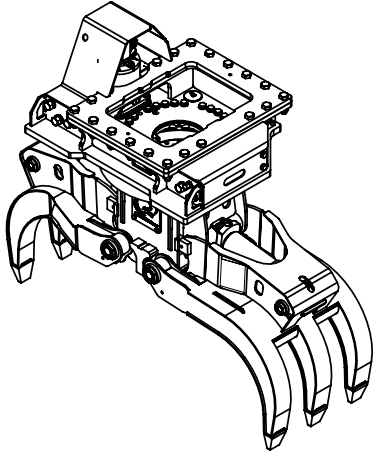
web site: www.rotobec.com

email: rotobec@rotobec.com

Rotobec Inc.: Head office serving OEM's and Eastern Canada Ph: (418) 383-3002 Fax: (418) 383-5334
Rotobec West: Branch serving Western Canada and Western USA Ph: (250) 765-1161 Fax: (250) 765-0035
Rotobec USA: Branch serving Eastern and Central USA Ph: (603) 444-2103 Fax: (603) 444-0327

We reserve the right to change specifications and to improve our products without notice or obligation.

07006-2588
20/11/18 D.L.

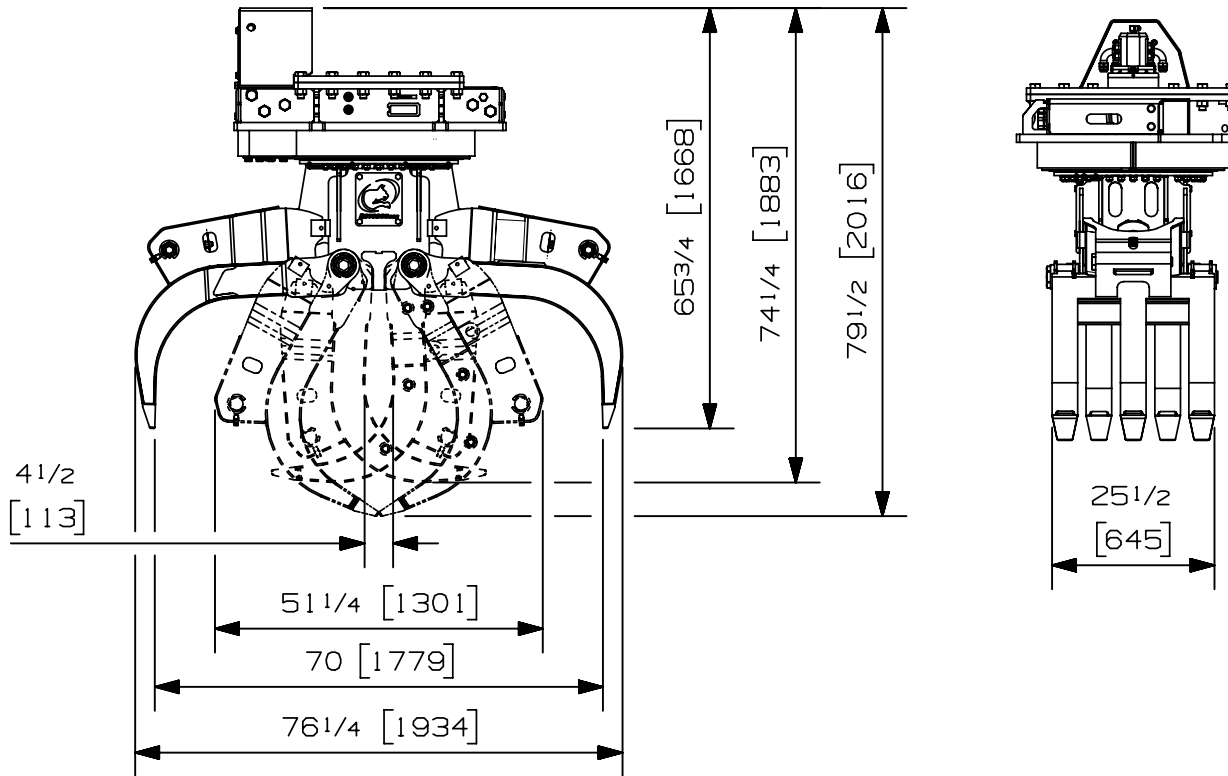


Max load:	n/a lb	n/a kg
Volume:	.25 cord of 8 ft	.91 m ³
Area tip to tip:	4.00 ft ²	.37 m ²
Rotator lifting capacity:	130000 lb	58967 kg
Torque at relief pressure:	176750 lb-in 2200 psi	19970 Nm 152 bars
Weight:	3160 lb	1433 kg

Rotator	Maximum pressure: 5000 psi 345 bars	Recommended flow: 33 gpm 125 l/min
Rotator recommended flow will produce a maximum speed of 15 rpm		

Cylinder	Diameter	Recommended pressure	Pressure range	Flow range	Lock valves
Standard	3 1/2 " (89 mm)	4000 psi (276 bars)	3000-5000 psi (207-345 bars)	14-20 gpm (53-76 l/min.)	no

Grapple cylinder maximum flow will theoretically produce a complete grapple open/close cycle in 4 seconds.



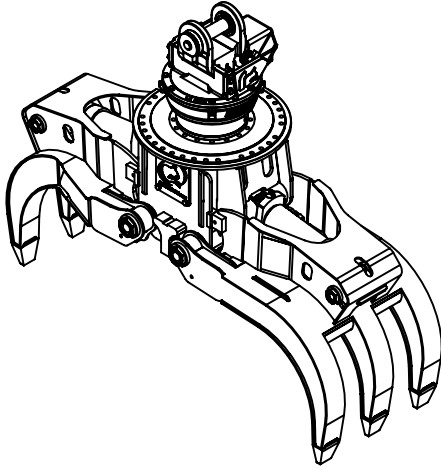
Options:

- Mini heel set (73 lbs / 33 kg)
- Load holding valve (20 lbs / 9 kg)
- Synchronisation + CounterBalance valve option (N/D)
- Saw bundle 404 (saw included) (520 lbs / 236 kg)
- Saw bundle 750 (saw included) (760 lbs / 345 kg)
- See also RGP-1300 for more options

web site: www.rotobec.com

email: rotobec@rotobec.com

Rotobec Inc.: Head office serving OEM's and Eastern Canada Ph: (418) 383-3002 Fax: (418) 383-5334
Rotobec West: Branch serving Western Canada and Western USA Ph: (250) 765-1161 Fax: (250) 765-0035
Rotobec USA: Branch serving Eastern and Central USA Ph: (603) 444-2103 Fax: (603) 444-0327

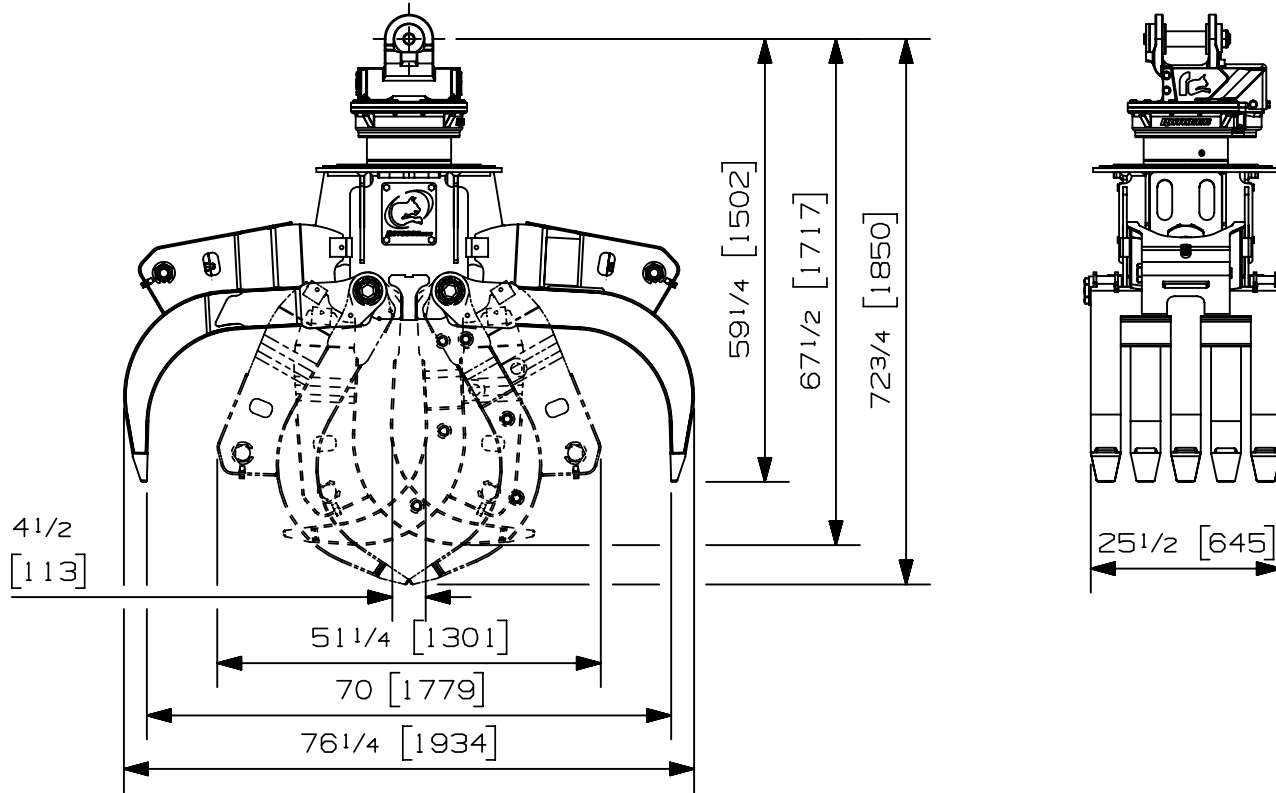


Max load:	n/a lb	n/a kg
Volume:	.25 cord of 8 ft	.91 m ³
Area tip to tip:	4.00 ft ²	.37 m ²
Rotator lifting capacity:	50000 lb	22680 kg
Torque at relief pressure:	18630 lb-in	2105 Nm
	1450 psi	100 bars
Weight:	1935 lb	878 kg

Rotator	Maximum pressure: 5000 psi 345 bars	Recommended flow: 9 gpm 34 l/min
Rotator recommended flow will produce a speed of 25 rpm		

Cylinder	Diameter	Recommended pressure	Pressure range	Flow range	Lock valves
Standard	3 1/2 " (89 mm)	4000 psi (276 bars)	3000-5000 psi (207-345 bars)	14-20 gpm (53-76 l/min.)	no

Grapple cylinder maximum flow will theoretically produce a complete grapple open/close cycle in 4 seconds.



Options:

- Mini heel set (73 lbs / 33 kg)
- Load holding valve (20 lbs / 9 kg)
- Synchronisation + CounterBalance valve option (N/D)
- Saw bundle 404 (saw included) (520 lbs / 236 kg)
- Saw bundle 750 (saw included) (760 lbs / 345 kg)

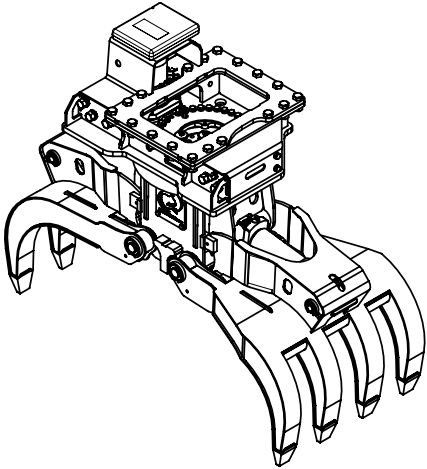
web site: www.rotobec.com

email: rotobec@rotobec.com

Rotobec Inc.: Head office serving OEM's and Eastern Canada Ph: (418) 383-3002 Fax: (418) 383-5334
Rotobec West: Branch serving Western Canada and Western USA Ph: (250) 765-1161 Fax: (250) 765-0035
Rotobec USA: Branch serving Eastern and Central USA Ph: (603) 444-2103 Fax: (603) 444-0327

We reserve the right to change specifications and to improve our products without notice or obligation.

07008-7294
19/11/18 D.L.

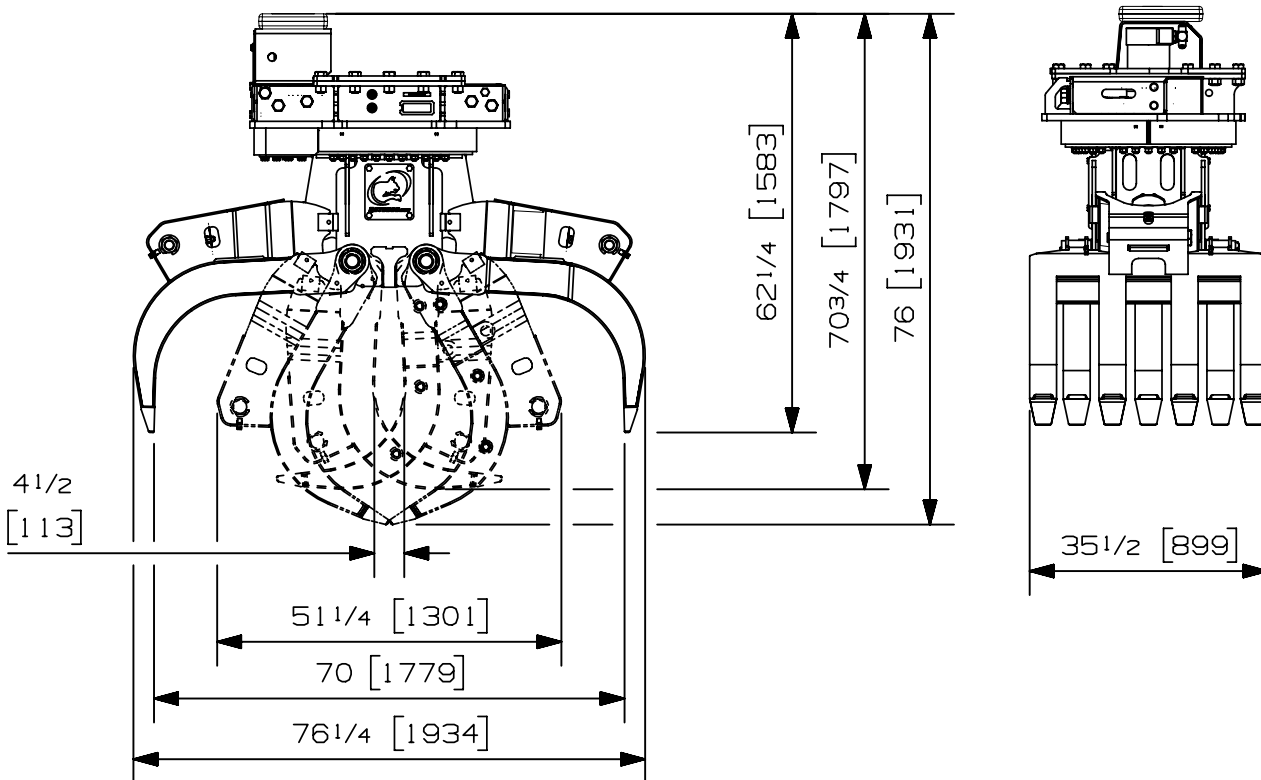


Max load:	n/a lb	n/a kg
Volume:	.25 cord of 8 ft	.91 m ³
Area tip to tip:	4.00 ft ²	.37 m ²
Rotator lifting capacity:	90000 lb	40823 kg
Torque at relief pressure:	148710 lb-in	16802 Nm
	2200 psi	152 bars
Weight:	2760 lb	1252 kg

Rotator	Maximum pressure: 5000 psi 345 bars	Recommended flow: 28 gpm 106 l/min
Rotator recommended flow will produce a maximum speed of 15 rpm		

Cylinder	Diameter	Recommended pressure	Pressure range	Flow range	Lock valves
Standard	3 1/2 " (89 mm)	4000 psi (276 bars)	3000-5000 psi (207-345 bars)	14-20 gpm (53-76 l/min.)	no

Grapple cylinder maximum flow will theoretically produce a complete grapple open/close cycle in 4 seconds.



Options:

- Mini heel set (73 lbs / 33 kg)
- Load holding valve (20 lbs / 9 kg)
- Synchronisation + CounterBalance valve option (N/D)
- Saw bundle 404 (saw included) (520 lbs / 236 kg)
- Saw bundle 750 (saw included) (760 lbs / 345 kg)
- See also RGP-900 for more options

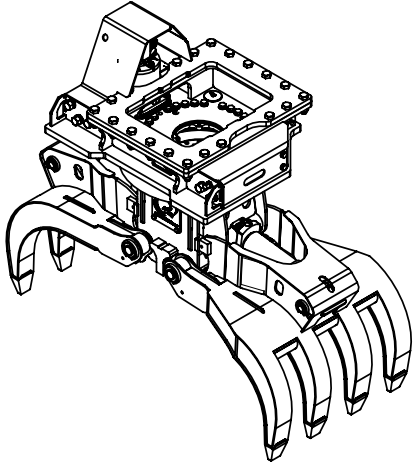
web site: www.rotobec.com

email: rotobec@rotobec.com

Rotobec Inc.: Head office serving OEM's and Eastern Canada Ph: (418) 383-3002 Fax: (418) 383-5334
Rotobec West: Branch serving Western Canada and Western USA Ph: (250) 765-1161 Fax: (250) 765-0035
Rotobec USA: Branch serving Eastern and Central USA Ph: (603) 444-2103 Fax: (603) 444-0327

We reserve the right to change specifications and to improve our products without notice or obligation.

07008-0459
23/11/18 D.L.

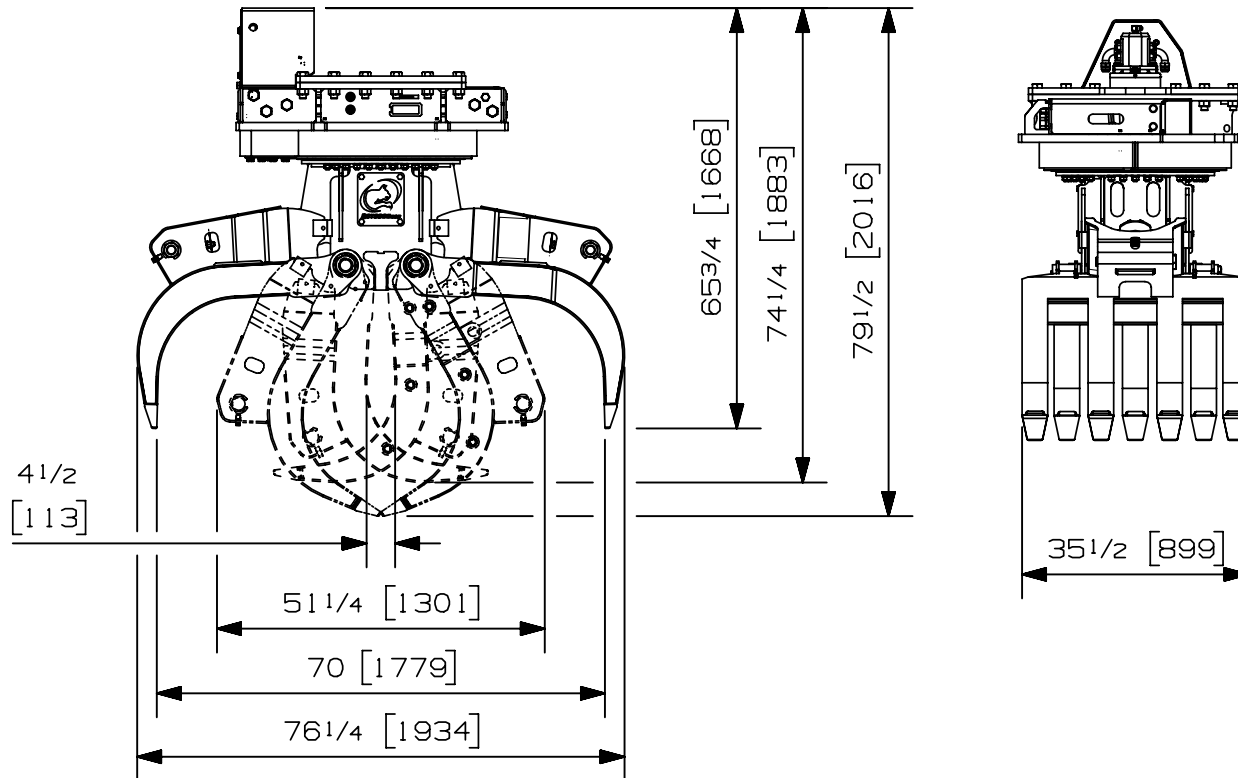


Max load:	n/a lb	n/a kg
Volume:	.25 cord of 8 ft	.91 m ³
Area tip to tip:	4.00 ft ²	.37 m ²
Rotator lifting capacity:	130000 lb	58967 kg
Torque at relief pressure:	176750 lb-in 2200 psi	19970 Nm 152 bars
Weight:	3280 lb	1488 kg

Rotator	Maximum pressure: 5000 psi 345 bars	Recommended flow: 33 gpm 125 l/min
Rotator recommended flow will produce a maximum speed of 15 rpm		

Cylinder	Diameter	Recommended pressure	Pressure range	Flow range	Lock valves
Standard	3 1/2 " (89 mm)	4000 psi (276 bars)	3000-5000 psi (207-345 bars)	14-20 gpm (53-76 l/min.)	no

Grapple cylinder maximum flow will theoretically produce a complete grapple open/close cycle in 4 seconds.



Options:

- Mini heel set (73 lbs / 33 kg)
- Load holding valve (20 lbs / 9 kg)
- Synchronisation + CounterBalance valve option (N/D)
- Saw bundle 404 (saw included) (520 lbs / 236 kg)
- Saw bundle 750 (saw included) (760 lbs / 345 kg)
- See also RGP-1300 for more options

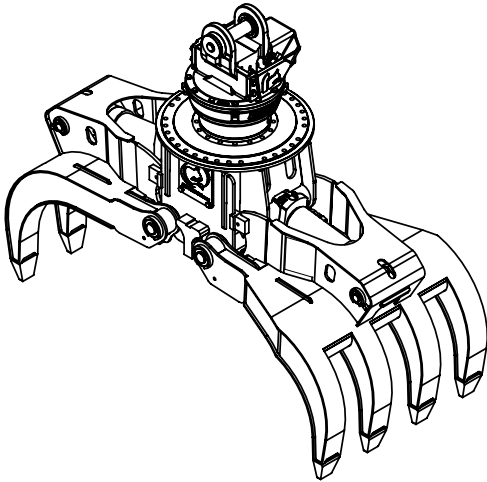
web site: www.rotobec.com

email: rotobec@rotobec.com

Rotobec Inc.: Head office serving OEM's and Eastern Canada Ph: (418) 383-3002 Fax: (418) 383-5334
Rotobec West: Branch serving Western Canada and Western USA Ph: (250) 765-1161 Fax: (250) 765-0035
Rotobec USA: Branch serving Eastern and Central USA Ph: (603) 444-2103 Fax: (603) 444-0327

We reserve the right to change specifications and to improve our products without notice or obligation.

07008-0462
22/11/18 D.L.

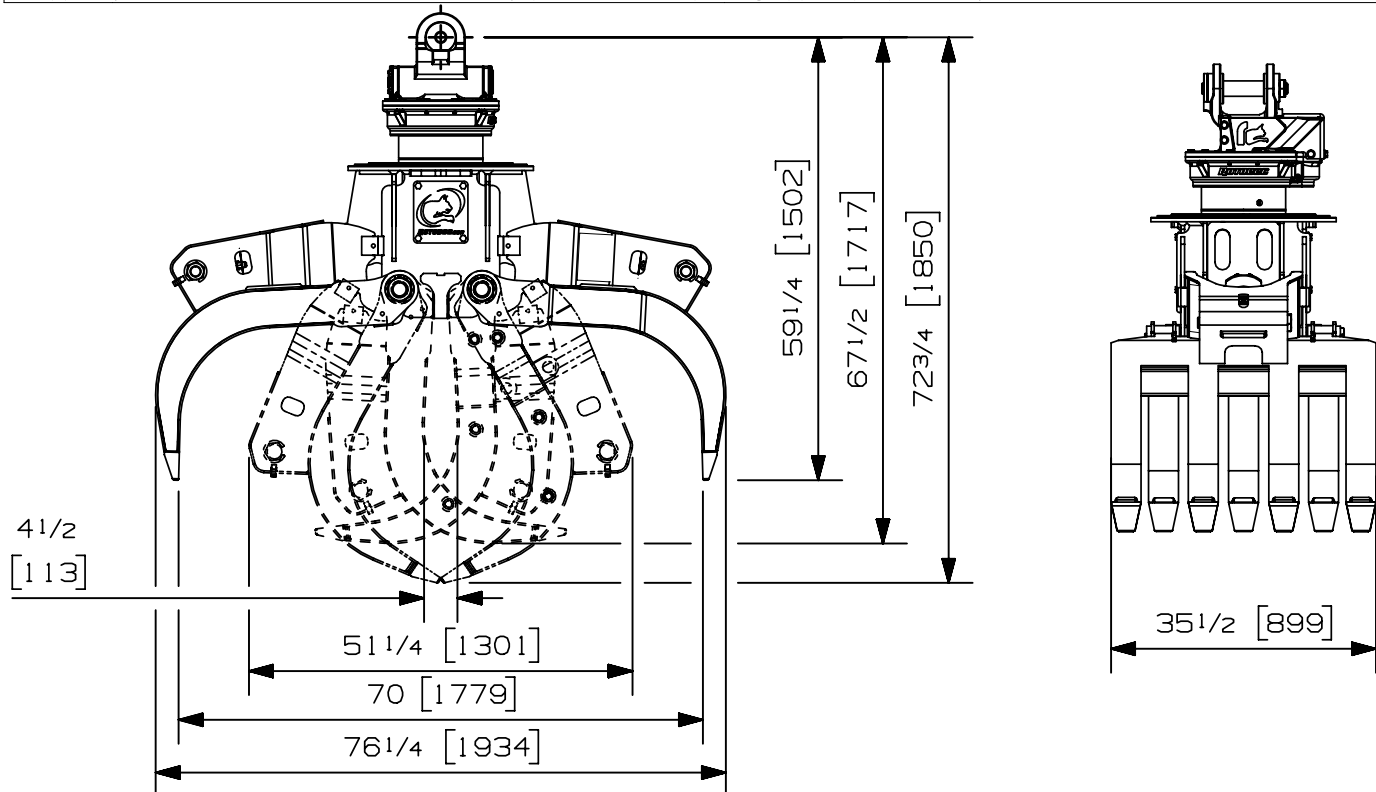


Max load:	n/a lb	n/a kg
Volume:	.25 cord of 8 ft	.91 m ³
Area tip to tip:	4.00 ft ²	.37 m ²
Rotator lifting capacity:	50000 lb	22680 kg
Torque at relief pressure:	18630 lb-in	2105 Nm
	1450 psi	100 bars
Weight:	2055 lb	932 kg

Rotator	Maximum pressure: 5000 psi 345 bars	Recommended flow: 9 gpm 34 l/min
Rotator recommended flow will produce a maximum speed of 25 rpm		

Cylinder	Diameter	Recommended pressure	Pressure range	Flow range	Lock valves
Standard	3 1/2 " (89 mm)	4000 psi (276 bars)	3000-5000 psi (207-345 bars)	14-20 gpm (53-76 l/min.)	no

Grapple cylinder maximum flow will theoretically produce a complete grapple open/close cycle in 4 seconds.



Options:

- Mini heel set (73 lbs / 33 kg)
- Load holding valve (20 lbs / 9 kg)
- Synchronisation + CounterBalance valve option (N/D)
- Saw bundle 404 (saw included) (520 lbs / 236 kg)
- Saw bundle 750 (saw included) (760 lbs / 345 kg)

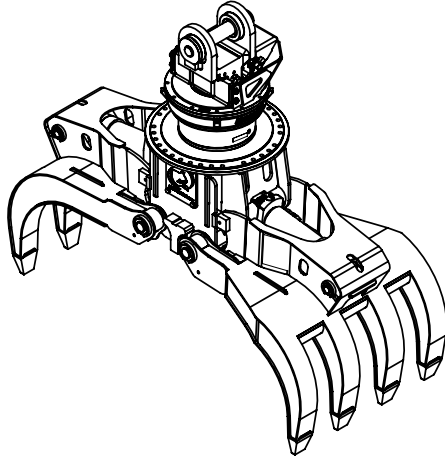
web site: www.rotobec.com

email: rotobec@rotobec.com

Rotobec Inc.: Head office serving OEM's and Eastern Canada Ph: (418) 383-3002 Fax: (418) 383-5334
Rotobec West: Branch serving Western Canada and Western USA Ph: (250) 765-1161 Fax: (250) 765-0035
Rotobec USA: Branch serving Eastern and Central USA Ph: (603) 444-2103 Fax: (603) 444-0327

We reserve the right to change specifications and to improve our products without notice or obligation.

07006-2589
20/11/18 D.L.

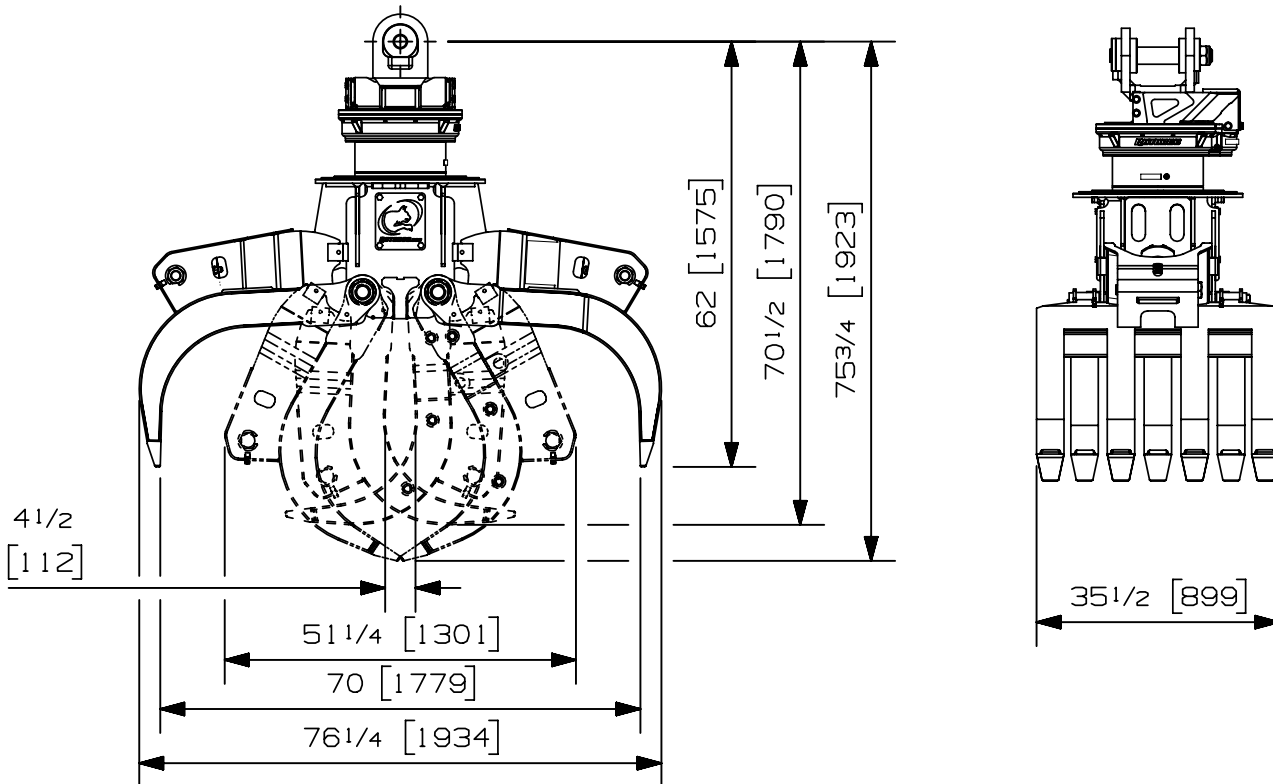


Max load:	n/a lb	n/a kg
Volume:	.25 cord of 8 ft	.91 m ³
Area tip to tip:	4.00 ft ²	.37 m ²
Rotator lifting capacity:	100000 lb	45359 kg
Torque at relief pressure:	22360 lb-in	2526 Nm
	1450 psi	100 bars
Weight:	2295 lb	1041 kg

Rotator	Maximum pressure: 5000 psi 345 bars	Recommended flow: 8 gpm 30 l/min
Rotator recommended flow will produce a speed of 20 rpm		

Cylinder	Diameter	Recommended pressure	Pressure range	Flow range	Lock valves
Standard	3 1/2 " (89 mm)	4000 psi (276 bars)	3000-5000 psi (207-345 bars)	14-20 gpm (53-76 l/min.)	no

Grapple cylinder maximum flow will theoretically produce a complete grapple open/close cycle in 4 seconds.



Options:

- Mini heel set (73 lbs / 33 kg)
- Load holding valve (20 lbs / 9 kg)
- Synchronisation + CounterBalance valve option (N/D)
- Saw bundle 404 (saw included) (520 lbs / 236 kg)
- Saw bundle 750 (saw included) (760 lbs / 345 kg)

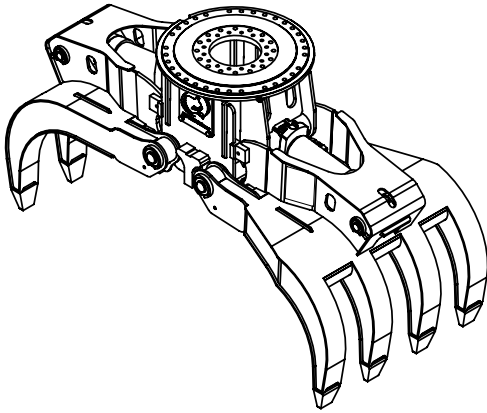
web site: www.rotobec.com

email: rotobec@rotobec.com

Rotobec Inc.: Head office serving OEM's and Eastern Canada Ph: (418) 383-3002 Fax: (418) 383-5334
Rotobec West: Branch serving Western Canada and Western USA Ph: (250) 765-1161 Fax: (250) 765-0035
Rotobec USA: Branch serving Eastern and Central USA Ph: (603) 444-2103 Fax: (603) 444-0327

We reserve the right to change specifications and to improve our products without notice or obligation.

07008-7298
22/11/18 D.L.

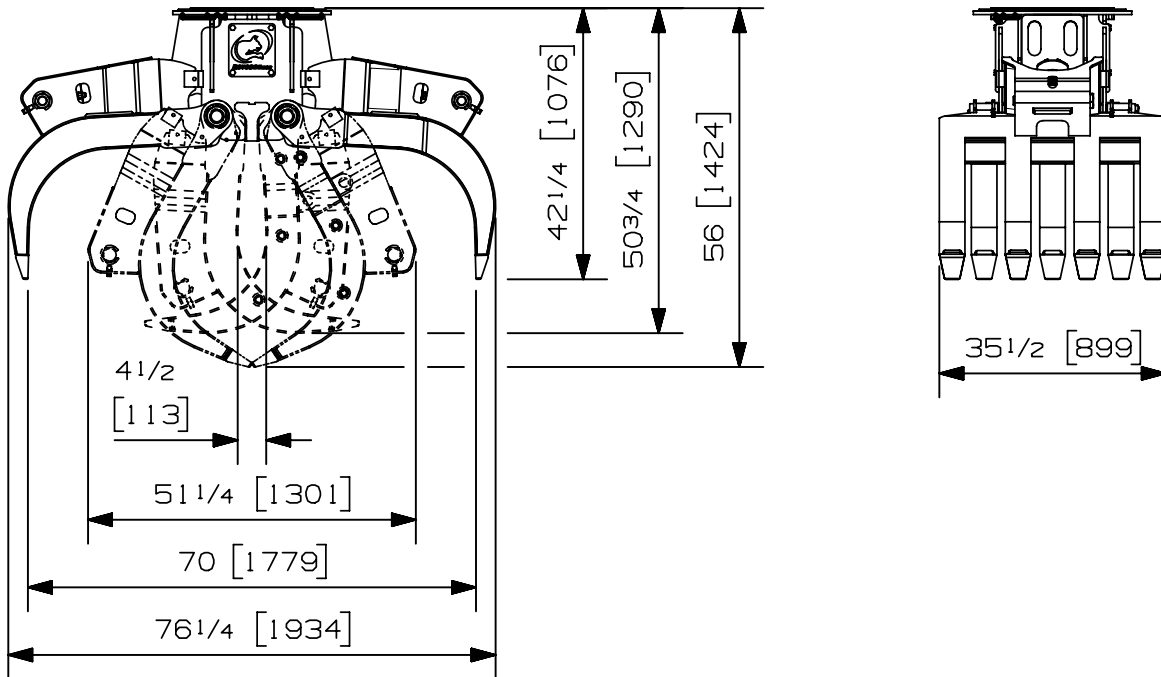


Max load:	- lb	- kg
Volume:	.25 cord of 8 ft	.91 m ³
Area tip to tip:	4.00 ft ²	.37 m ²
Rotator lifting capacity:	- lb	- kg
Torque at relief pressure:	- lb-in	- Nm
	- psi	- bars
Weight:	1610 lb	730 kg

Rotator	Maximum pressure:	- psi	- bars	Recommended flow:	- gpm	- l/min
Rotator recommended flow will produce a maximum speed of 0 rpm						

Cylinder	Diameter	Recommended pressure	Pressure range	Flow range	Lock valves
Standard	3 1/2 " (89 mm)	4000 psi (276 bars)	3000 - 5000 psi (207-345 bars)	14 - 20 gpm (53-76 l/min.)	No

Grapple cylinder maximum flow will theoretically produce a complete grapple open/close cycle in 4 seconds.



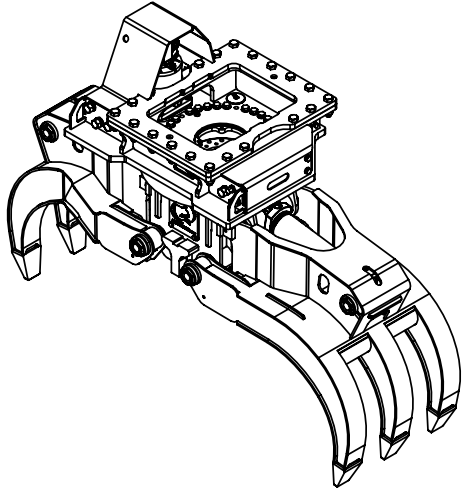
Options:

- Mini heel set (73 lbs / 33 kg)
- Load holding valve (20 lbs / 9 kg)
- Synchronisation + CounterBalance valve option (N/D)
- Saw bundle 404 (saw included) (520 lbs / 236 kg)
- Saw bundle 750 (saw included) (760 lbs / 345 kg)

web site: www.rotobec.com

email: rotobec@rotobec.com

Rotobec Inc.: Head office serving OEM's and Eastern Canada Ph: (418) 383-3002 Fax: (418) 383-5334
Rotobec West: Branch serving Western Canada and Western USA Ph: (250) 765-1161 Fax: (250) 765-0035
Rotobec USA: Branch serving Eastern and Central USA Ph: (603) 444-2103 Fax: (603) 444-0327

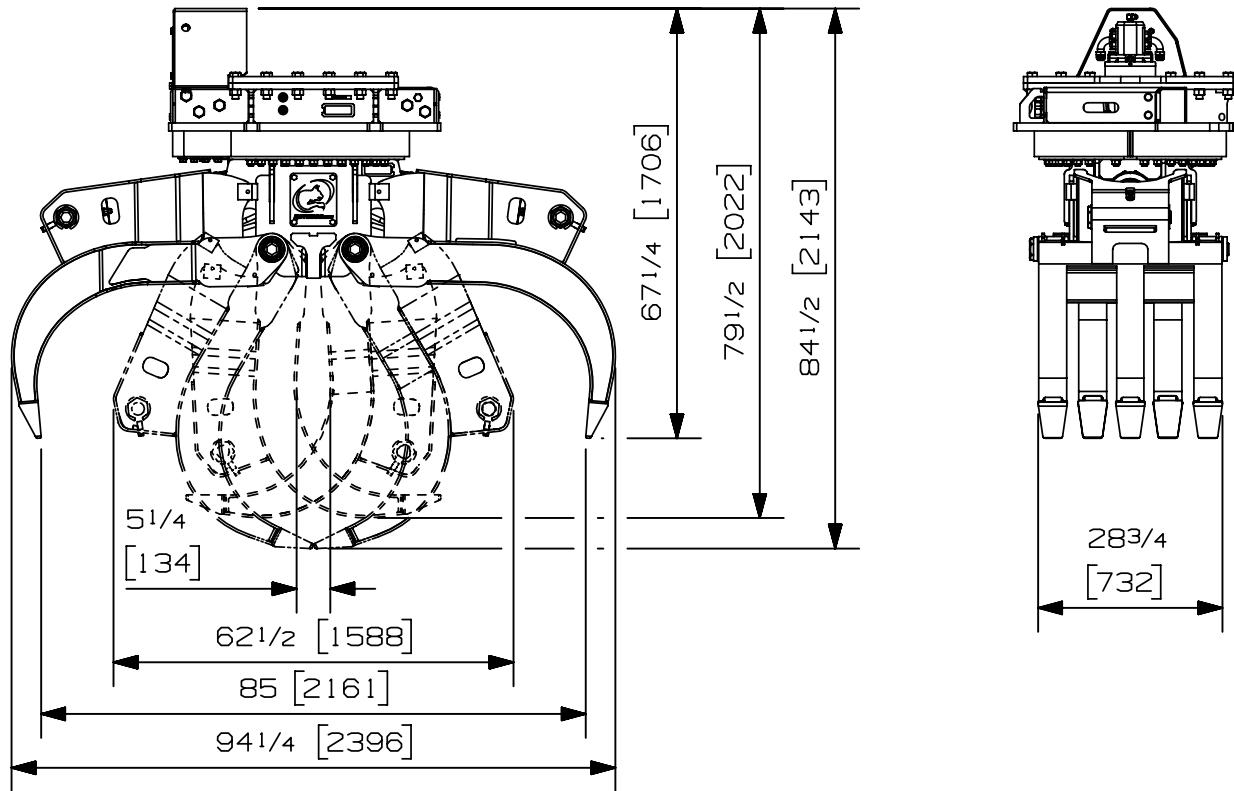


Max load:	n/a lb	n/a kg
Volume:	.38 cord of 8 ft	1.38 m ³
Area tip to tip:	6.00 ft ²	.56 m ²
Rotator lifting capacity:	130000 lb	58967 kg
Torque at relief pressure:	176750 lb-in 2200 psi	19970 Nm 152 bars
Weight:	3940 lb	1787 kg

Rotator	Maximum pressure: 5000 psi 345 bars	Recommended flow: 33 gpm 125 l/min
Rotator recommended flow will produce a speed of 15 rpm		

Cylinder	Diameter	Recommended pressure	Pressure range	Flow range	Lock valves
Standard	4 " (102 mm)	4000 psi (276 bars)	3000-5000 psi (207-345 bars)	25-37 gpm (95-140 l/min.)	no

Grapple cylinder maximum flow will theoretically produce a complete grapple open/close cycle in 4 seconds.



Options:

- Mini heel set (76 lbs / 34 kg)
- CounterBalance valve option (20 lbs / 9 kg)
- Synchronisation + CounterBalance valve option (N/D)
- Saw bundle 404 (saw included) (545 lbs / 247 kg)
- Saw bundle 750 (saw included) (785 lbs / 356 kg)
- See also RGP-1300 option for more options

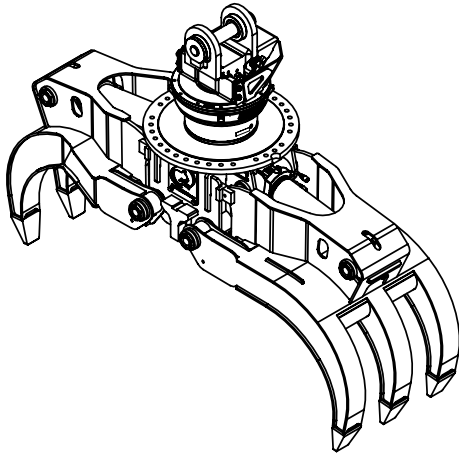
web site: www.rotobec.com

email: rotobec@rotobec.com

Rotobec Inc.: Head office serving OEM's and Eastern Canada Ph: (418) 383-3002 Fax: (418) 383-5334
Rotobec West: Branch serving Western Canada and Western USA Ph: (250) 765-1161 Fax: (250) 765-0035
Rotobec USA: Branch serving Eastern and Central USA Ph: (603) 444-2103 Fax: (603) 444-0327

We reserve the right to change specifications and to improve our products without notice or obligation.

07004-3234
24/01/18 D.L.

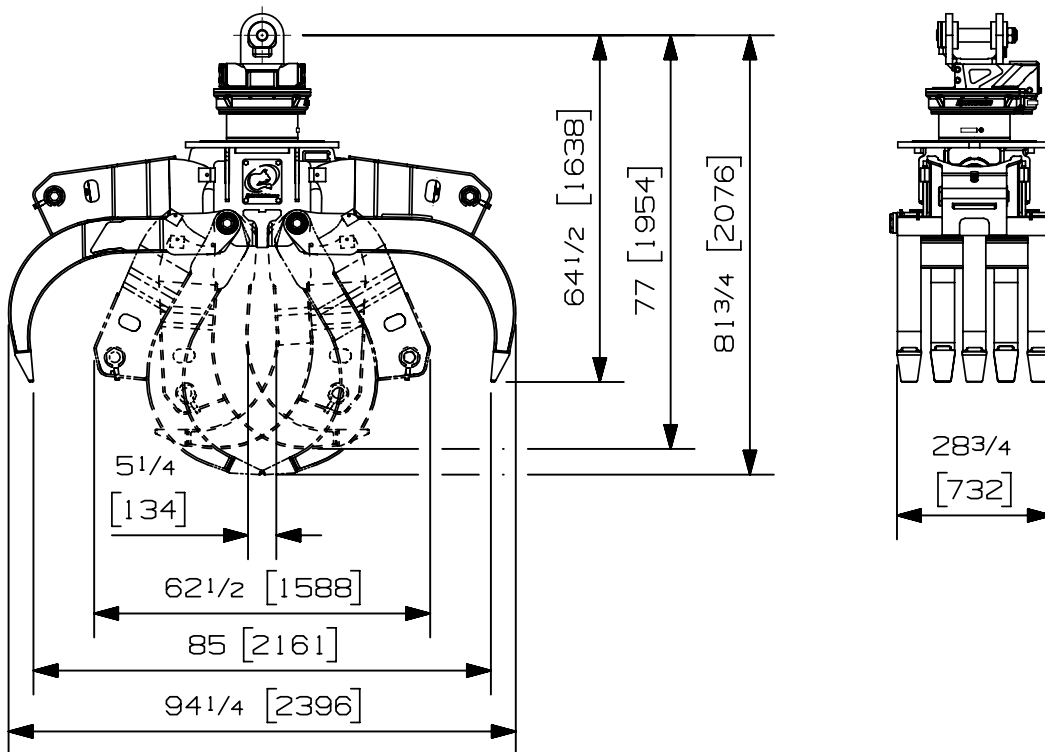


Max load:	n/a lb	n/a kg
Volume:	.38 cord of 8 ft	1.38 m ³
Area tip to tip:	6.00 ft ²	.56 m ²
Rotator lifting capacity:	100000 lb	45359 kg
Torque at relief pressure:	22360 lb-in	2526 Nm
	1450 psi	100 bars
Weight:	3050 lb	1383 kg

Rotator	Maximum pressure: 5000 psi 345 bars	Recommended flow: 8 gpm 30 l/min
Rotator recommended flow will produce a speed of 20 rpm		

Cylinder	Diameter	Recommended pressure	Pressure range	Flow range	Lock valves
Standard	4 " (102 mm)	4000 psi (276 bars)	3000-5000 psi (207-345 bars)	25-37 gpm (95-140 l/min.)	no

Grapple cylinder maximum flow will theoretically produce a complete grapple open/close cycle in 4 seconds.



Options:

- Mini heel set (76 lbs / 34 kg)
- CounterBalance valve option (20 lbs / 9 kg)
- Synchronisation + CounterBalance valve option (N/D)
- Saw bundle 404 (saw included) (545 lbs / 247 kg)
- Saw bundle 750 (saw included) (785 lbs / 356 kg)

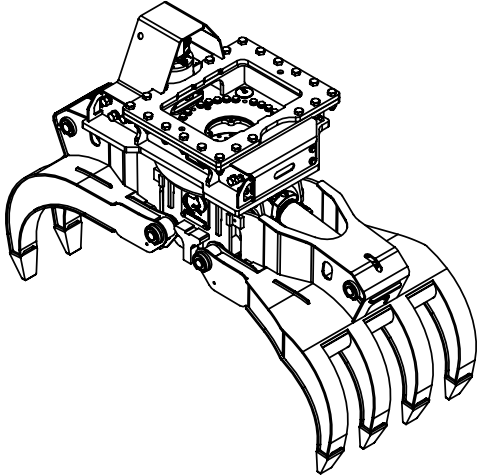
web site: www.rotobec.com

email: rotobec@rotobec.com

Rotobec Inc.: Head office serving OEM's and Eastern Canada Ph: (418) 383-3002 Fax: (418) 383-5334
Rotobec West: Branch serving Western Canada and Western USA Ph: (250) 765-1161 Fax: (250) 765-0035
Rotobec USA: Branch serving Eastern and Central USA Ph: (603) 444-2103 Fax: (603) 444-0327

We reserve the right to change specifications and to improve our products without notice or obligation.

07005-3705
24/01/18 D.L.

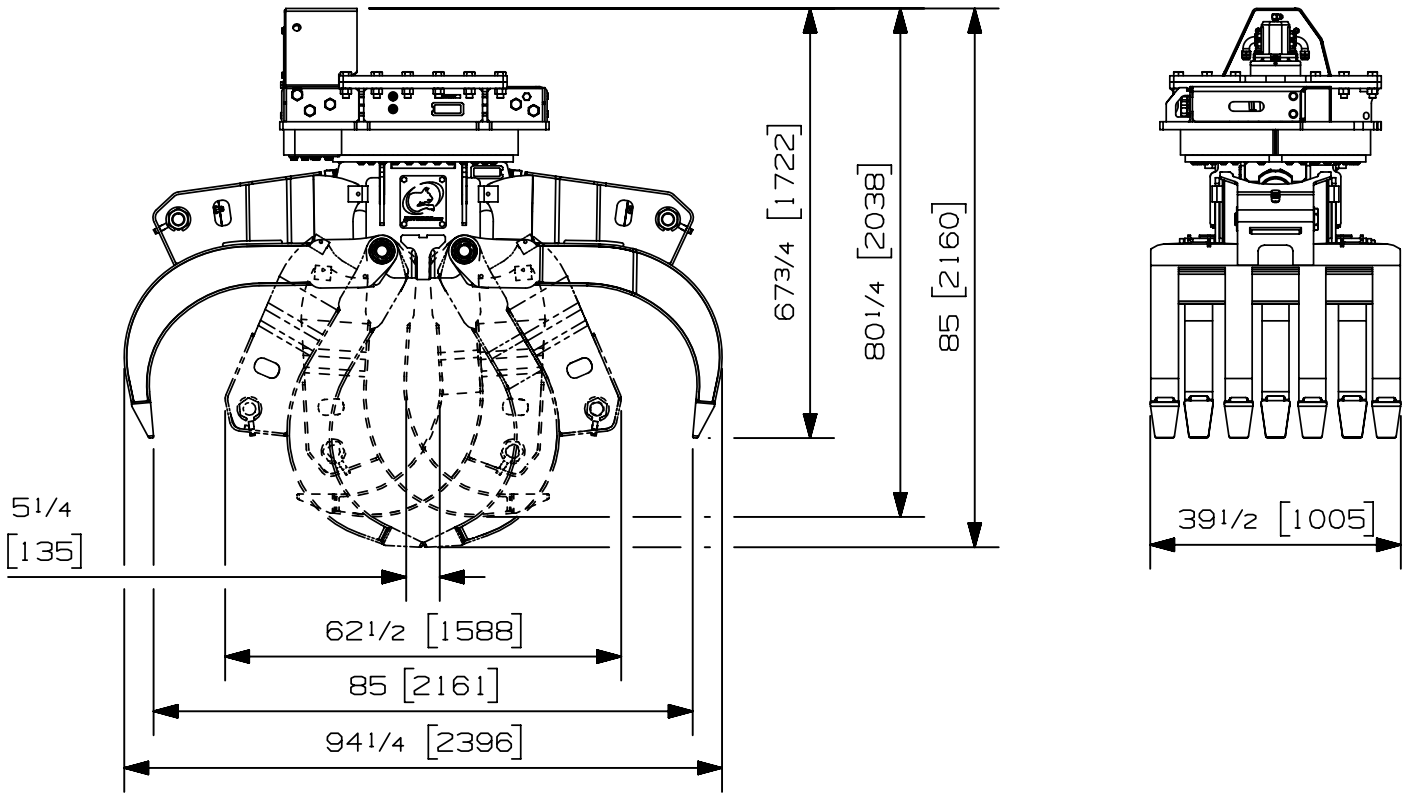


Max load:	n/a lb	n/a kg
Volume:	.38 cord of 8 ft	1.38 m ³
Area tip to tip:	6.00 ft ²	.56 m ²
Rotator lifting capacity:	130000 lb	58967 kg
Torque at relief pressure:	176750 lb-in	19970 Nm
	2200 psi	152 bars
Weight:	4145 lb	1880 kg

Rotator	Maximum pressure: 5000 psi 345 bars	Recommended flow: 33 gpm 125 l/min
Rotator recommended flow will produce a speed of 15 rpm		

Cylinder	Diameter	Recommended pressure	Pressure range	Flow range	Lock valves
Standard	4 " (102 mm)	4000 psi (276 bars)	3000-5000 psi (207-345 bars)	25-37 gpm (95-140 l/min.)	no

Grapple cylinder maximum flow will theoretically produce a complete grapple open/close cycle in 4 seconds.



Options:

- Mini heel set (76 lbs / 34 kg)
- CounterBalance valve option (20 lbs / 9 kg)
- Synchronisation + CounterBalance valve option (N/D)
- Saw bundle 404 (saw included) (545 lbs / 247 kg)
- Saw bundle 750 (saw included) (785 lbs / 356 kg)
- See also RGP-1300 option for more options

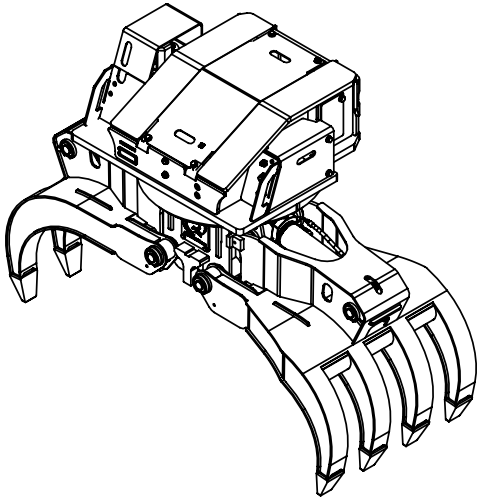
web site: www.rotobec.com

email: rotobec@rotobec.com

Rotobec Inc.: Head office serving OEM's and Eastern Canada Ph: (418) 383-3002 Fax: (418) 383-5334
Rotobec West: Branch serving Western Canada and Western USA Ph: (250) 765-1161 Fax: (250) 765-0035
Rotobec USA: Branch serving Eastern and Central USA Ph: (603) 444-2103 Fax: (603) 444-0327

We reserve the right to change specifications and to improve our products without notice or obligation.

07004-2528
09/01/18 D.L.

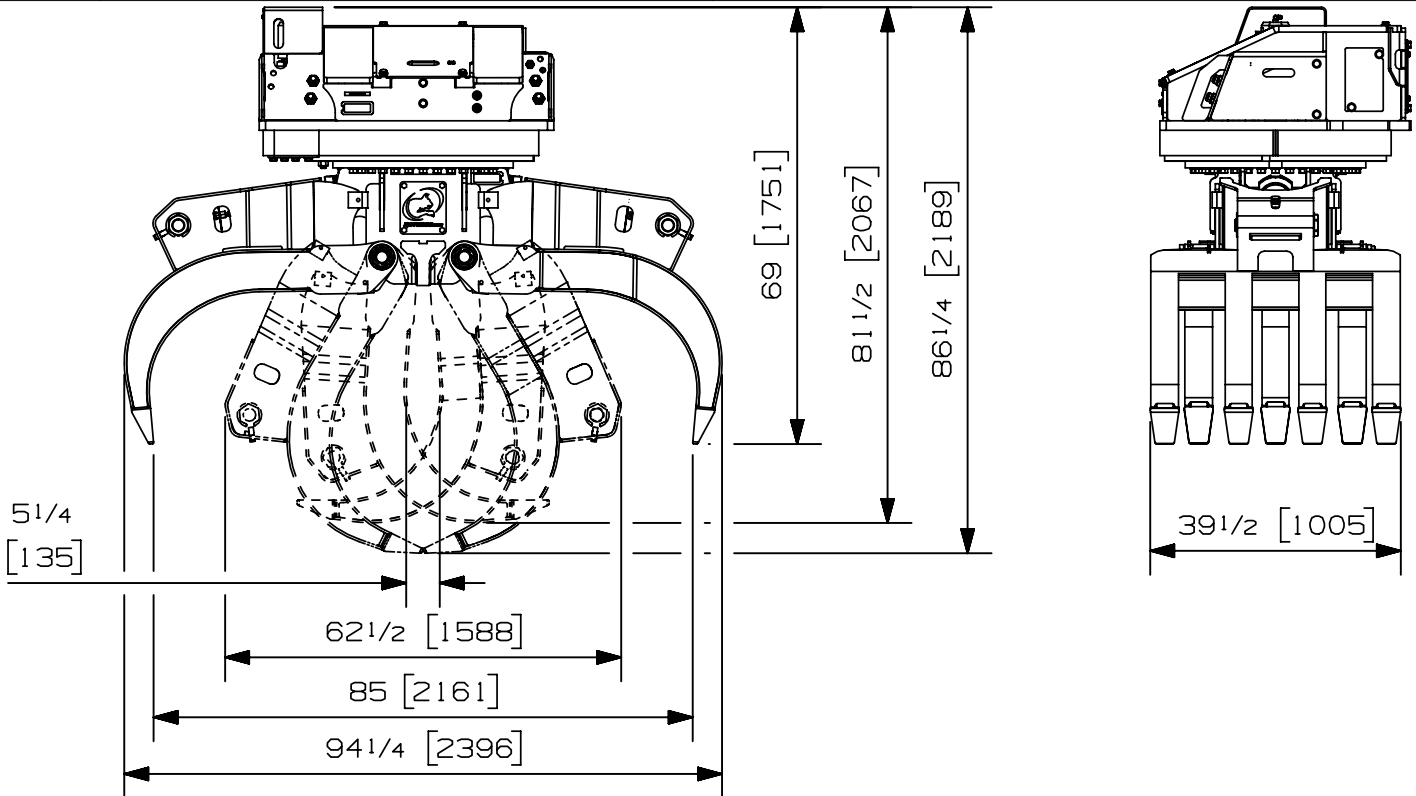


Max load:	n/a lb	n/a kg
Volume:	.38 cord of 8 ft	1.38 m ³
Area tip to tip:	6.00 ft ²	.56 m ²
Rotator lifting capacity:	170000 lb	77111 kg
Torque at relief pressure:	218520 lb-in 2200 psi	24689 Nm 152 bars
Weight:	5000 lb	2268 kg

Rotator	Maximum pressure: 5000 psi 345 bars	Recommended flow: 32 gpm 121 l/min
Rotator recommended flow will produce a speed of 12 rpm		

Cylinder	Diameter	Recommended pressure	Pressure range	Flow range	Lock valves
Standard	4 " (102 mm)	4000 psi (276 bars)	3000-5000 psi (207-345 bars)	25-37 gpm (95-140 l/min.)	no

Grapple cylinder maximum flow will theoretically produce a complete grapple open/close cycle in 4 seconds.



Options:

- Mini heel set (76 lbs / 34 kg)
- CounterBalance valve option (20 lbs / 9 kg)
- Synchronisation + CounterBalance valve option (N/D)
- Saw bundle 404 (saw included) (545 lbs / 247 kg)
- Saw bundle 750 (saw included) (785 lbs / 356 kg)
- See also RGP-1704 option for more options

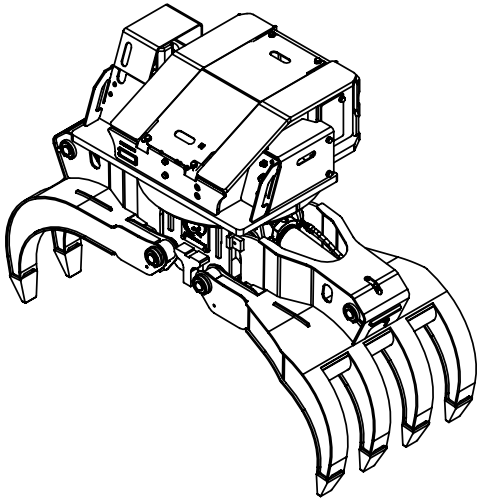
web site: www.rotobec.com

email: rotobec@rotobec.com

Rotobec Inc.: Head office serving OEM's and Eastern Canada Ph: (418) 383-3002 Fax: (418) 383-5334
Rotobec West: Branch serving Western Canada and Western USA Ph: (250) 765-1161 Fax: (250) 765-0035
Rotobec USA: Branch serving Eastern and Central USA Ph: (603) 444-2103 Fax: (603) 444-0327

We reserve the right to change specifications and to improve our products without notice or obligation.

07007-9155
09/01/18 D.L.

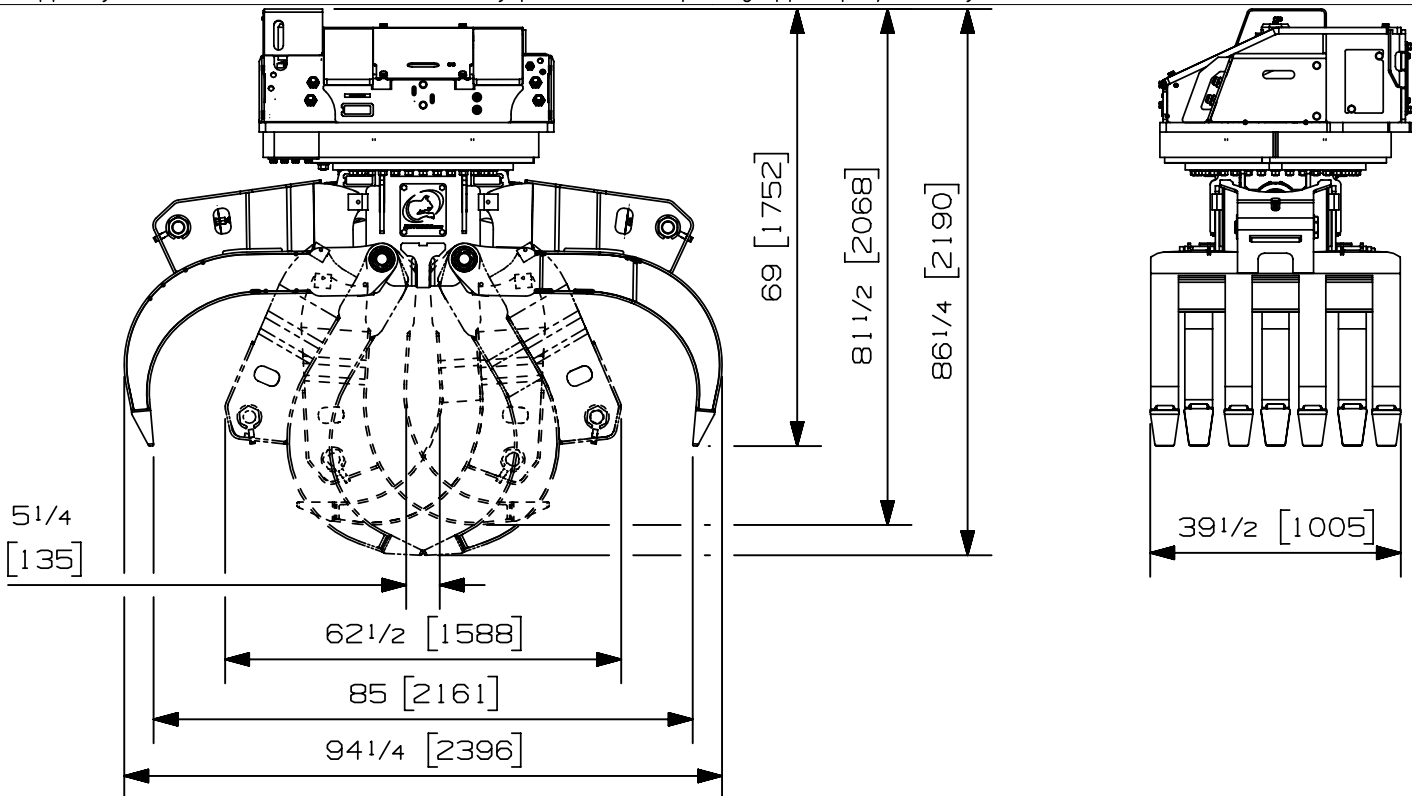


Max load:	n/a lb	n/a kg
Volume:	.38 cord of 8 ft	1.38 m ³
Area tip to tip:	6.00 ft ²	.56 m ²
Rotator lifting capacity:	170000 lb	77111 kg
Torque at relief pressure:	218520 lb-in 2200 psi	24689 Nm 152 bars
Weight:	5000 lb	2268 kg

Rotator	Maximum pressure: 5000 psi 345 bars	Recommended flow: 32 gpm 121 l/min
Rotator recommended flow will produce a speed of 12 rpm		

Cylinder	Diameter	Recommended pressure	Pressure range	Flow range	Lock valves
Standard	4 " (102 mm)	4000 psi (276 bars)	3000-5000 psi (207-345 bars)	25-37 gpm (95-140 l/min.)	no

Grapple cylinder maximum flow will theoretically produce a complete grapple open/close cycle in 4 seconds.



Options:

- Mini heel set (76 lbs / 34 kg)
- CounterBalance valve option (20 lbs / 9 kg)
- Synchronisation + CounterBalance valve option (N/D)

- See also RGP-1702 option for more options

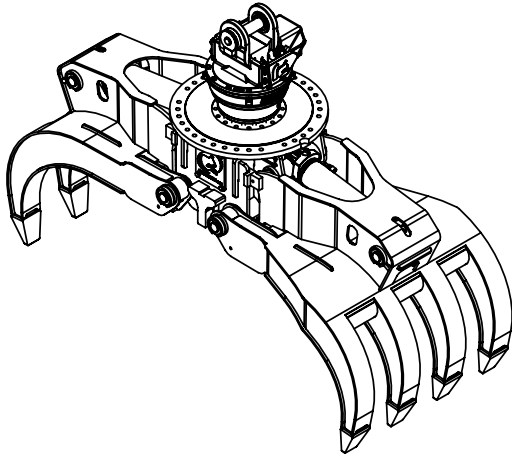
web site: www.rotobec.com

email: rotobec@rotobec.com

Rotobec Inc.: Head office serving OEM's and Eastern Canada Ph: (418) 383-3002 Fax: (418) 383-5334
Rotobec West: Branch serving Western Canada and Western USA Ph: (250) 765-1161 Fax: (250) 765-0035
Rotobec USA: Branch serving Eastern and Central USA Ph: (603) 444-2103 Fax: (603) 444-0327

We reserve the right to change specifications and to improve our products without notice or obligation.

07009-4550
14/08/19

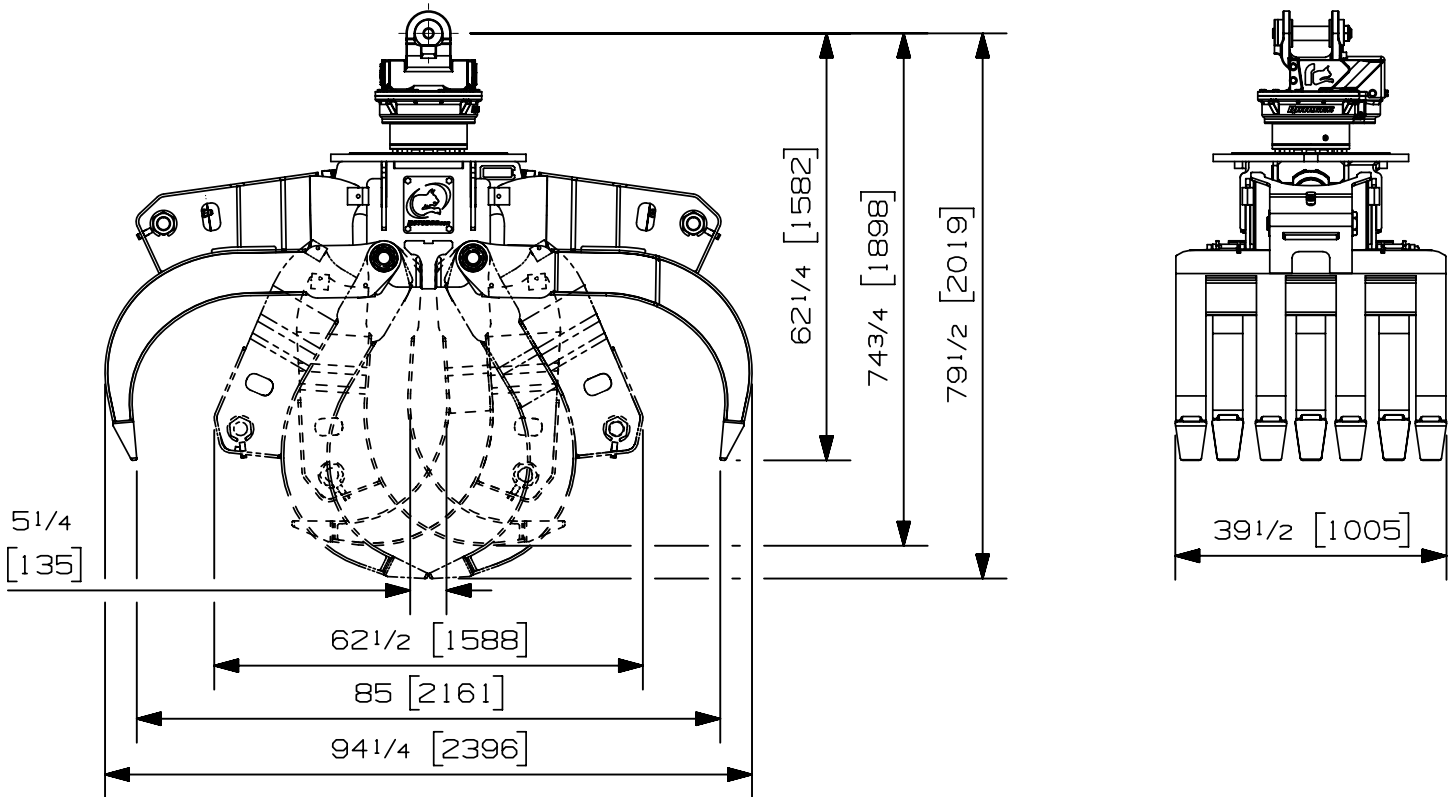


Max load:	n/a lb	n/a kg
Volume:	.38 cord of 8 ft	1.38 m ³
Area tip to tip:	6.00 ft ²	.56 m ²
Rotator lifting capacity:	50000 lb	22680 kg
Torque at relief pressure:	18630 lb-in 1450 psi	2105 Nm 100 bars
Weight:	3015 lb	1368 kg

Rotator	Maximum pressure: 5000 psi 345 bars	Recommended flow: 9 gpm 34 l/min
Rotator recommended flow will produce a speed of 25 rpm		

Cylinder	Diameter	Recommended pressure	Pressure range	Flow range	Lock valves
Standard	4 " (102 mm)	4000 psi (276 bars)	3000-5000 psi (207-345 bars)	25-37 gpm (95-140 l/min.)	no

Grapple cylinder maximum flow will theoretically produce a complete grapple open/close cycle in 4 seconds.



Options:

- Mini heel set (76 lbs / 34 kg)
- CounterBalance valve option (20 lbs / 9 kg)
- Synchronisation + CounterBalance valve option (N/D)
- Saw bundle 404 (saw included) (545 lbs / 247 kg)
- Saw bundle 750 (saw included) (785 lbs / 356 kg)

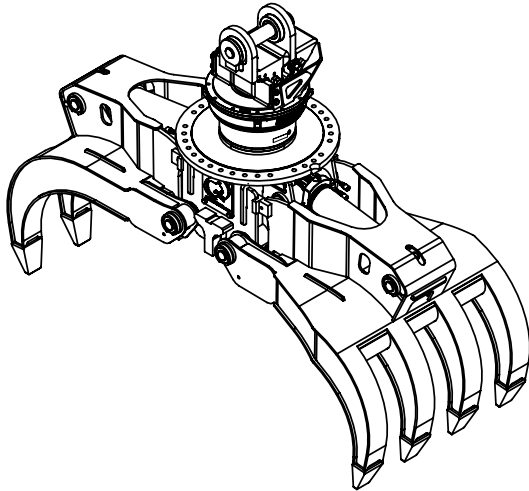
web site: www.rotobec.com

email: rotobec@rotobec.com

Rotobec Inc.: Head office serving OEM's and Eastern Canada Ph: (418) 383-3002 Fax: (418) 383-5334
Rotobec West: Branch serving Western Canada and Western USA Ph: (250) 765-1161 Fax: (250) 765-0035
Rotobec USA: Branch serving Eastern and Central USA Ph: (603) 444-2103 Fax: (603) 444-0327

We reserve the right to change specifications and to improve our products without notice or obligation.

07003-7848
09/01/18 D.L.

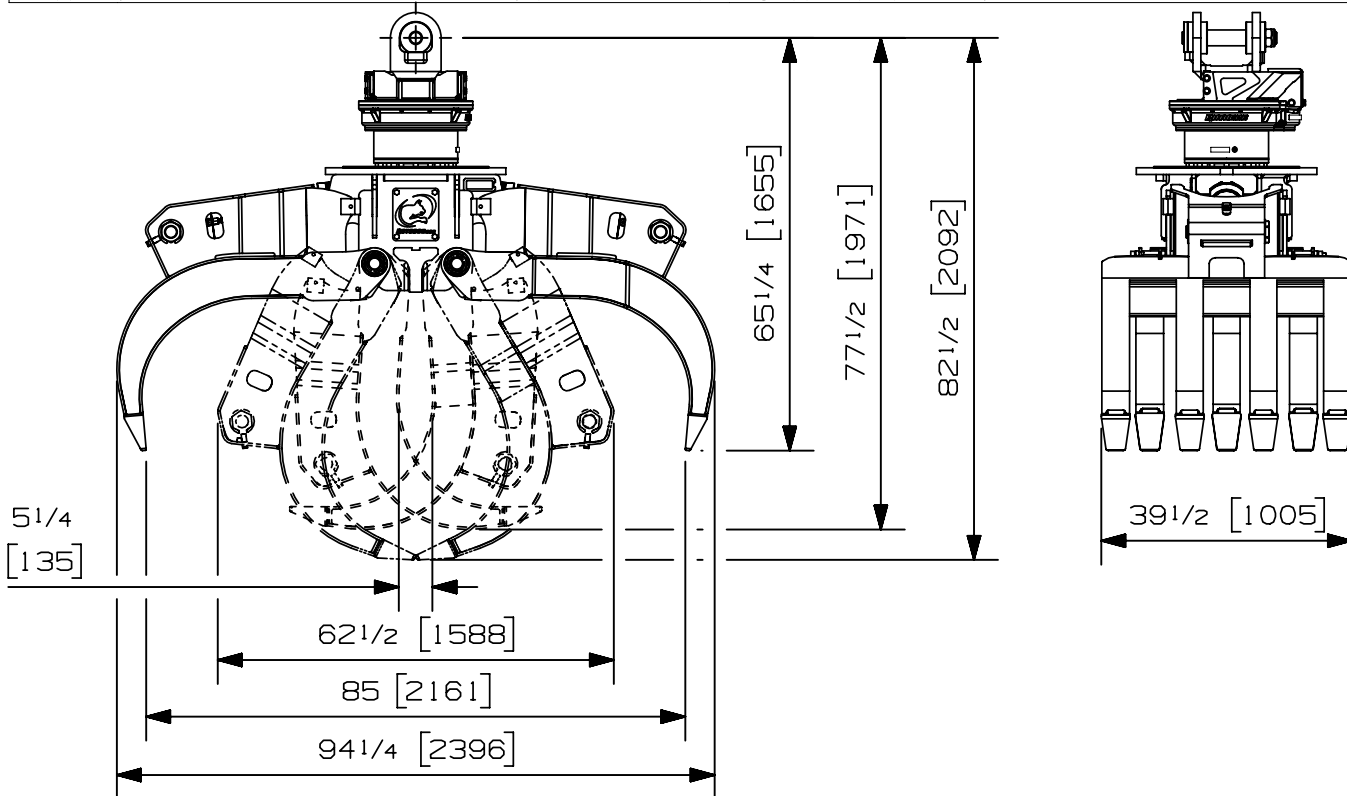


Max load:	n/a lb	n/a kg
Volume:	.38 cord of 8 ft	1.38 m ³
Area tip to tip:	6.00 ft ²	.56 m ²
Rotator lifting capacity:	100000 lb	45359 kg
Torque at relief pressure:	22360 lb-in	2526 Nm
	1450 psi	100 bars
Weight:	3255 lb	1476 kg

Rotator	Maximum pressure: 5000 psi 345 bars	Recommended flow: 8 gpm 30 l/min
Rotator recommended flow will produce a speed of 20 rpm		

Cylinder	Diameter	Recommended pressure	Pressure range	Flow range	Lock valves
Standard	4 " (102 mm)	4000 psi (276 bars)	3000-5000 psi (207-345 bars)	25-37 gpm (95-140 l/min.)	no

Grapple cylinder maximum flow will theoretically produce a complete grapple open/close cycle in 4 seconds.



Options:

- Mini heel set (76 lbs / 34 kg)
- CounterBalance valve option (20 lbs / 9 kg)
- Synchronisation + CounterBalance valve option (N/D)
- Saw bundle 404 (saw included) (545 lbs / 247 kg)
- Saw bundle 750 (saw included) (785 lbs / 356 kg)

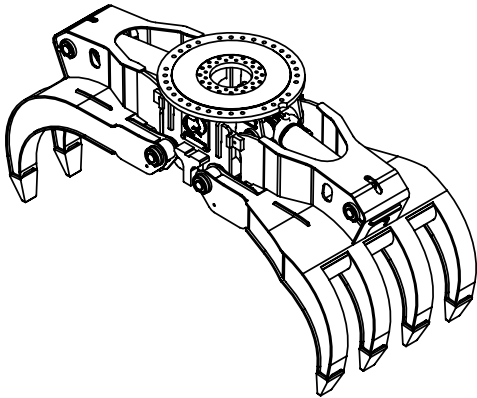
web site: www.rotobec.com

email: rotobec@rotobec.com

Rotobec Inc.: Head office serving OEM's and Eastern Canada Ph: (418) 383-3002 Fax: (418) 383-5334
Rotobec West: Branch serving Western Canada and Western USA Ph: (250) 765-1161 Fax: (250) 765-0035
Rotobec USA: Branch serving Eastern and Central USA Ph: (603) 444-2103 Fax: (603) 444-0327

We reserve the right to change specifications and to improve our products without notice or obligation.

07003-7847
09/01/18 D.L.

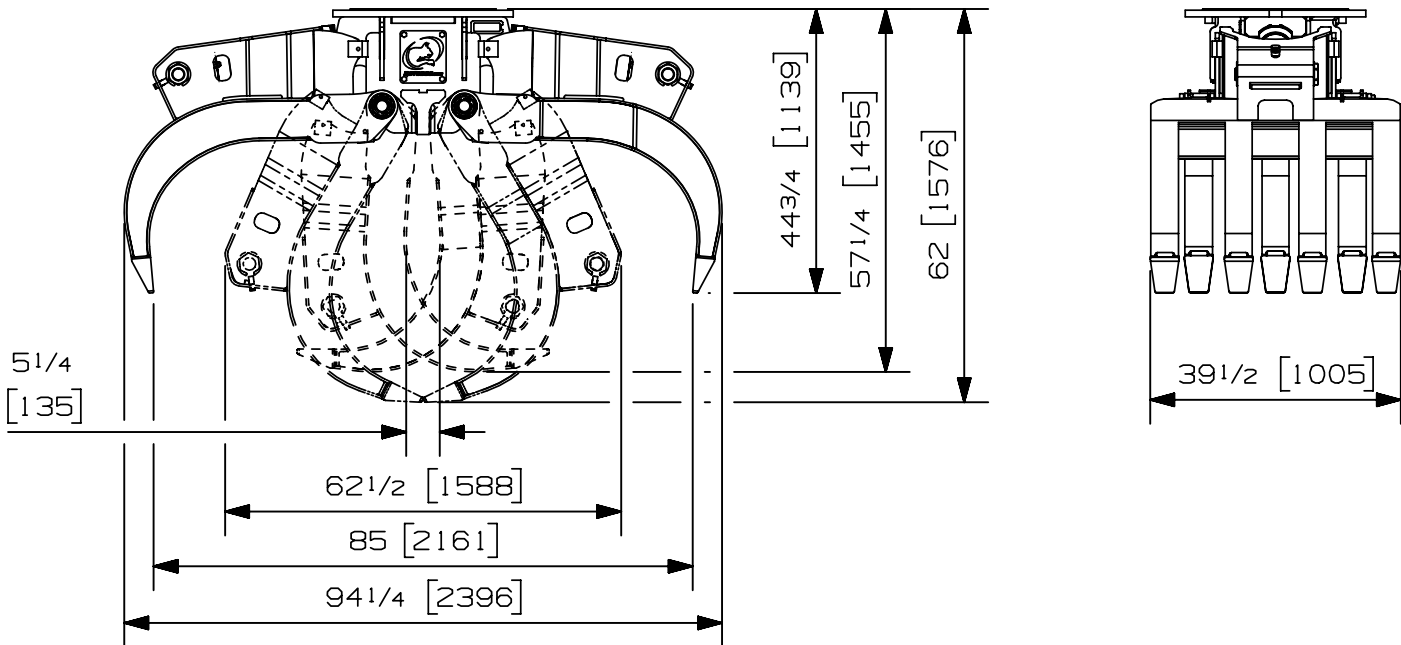


Max load:	n/a lb	n/a kg
Volume:	.38 cord of 8 ft	1.38 m ³
Area tip to tip:	6.00 ft ²	.56 m ²
Rotator lifting capacity:	n/a lb	n/a kg
Torque at relief pressure:	n/a lb-in	n/a Nm
	n/a psi	n/a bars
Weight:	2570 lb	1166 kg

Rotator	Maximum pressure: n/a psi n/a bars	Recommended flow: n/a gpm n/a l/min
Rotator recommended flow will produce a speed of 0 rpm		

Cylinder	Diameter	Recommended pressure	Pressure range	Flow range	Lock valves
Standard	4 " (102 mm)	4000 psi (276 bars)	3000-5000 psi (207-345 bars)	25-37 gpm (95-140 l/min.)	no

Grapple cylinder maximum flow will theoretically produce a complete grapple open/close cycle in 4 seconds.



Options:

- Mini heel set (76 lbs / 34 kg)
- CounterBalance valve option (20 lbs / 9 kg)
- Synchronisation + CounterBalance valve option (N/D)
- Saw bundle 404 (saw included) (545 lbs / 247 kg)
- Saw bundle 750 (saw included) (785 lbs / 356 kg)

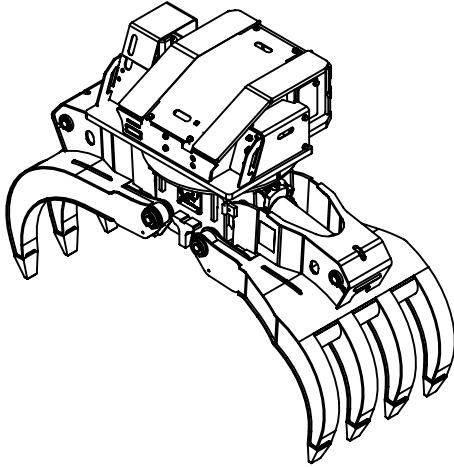
web site: www.rotobec.com

email: rotobec@rotobec.com

Rotobec Inc.: Head office serving OEM's and Eastern Canada Ph: (418) 383-3002 Fax: (418) 383-5334
Rotobec West: Branch serving Western Canada and Western USA Ph: (250) 765-1161 Fax: (250) 765-0035
Rotobec USA: Branch serving Eastern and Central USA Ph: (603) 444-2103 Fax: (603) 444-0327

We reserve the right to change specifications and to improve our products without notice or obligation.

07008-2121
09/01/18 E.T.

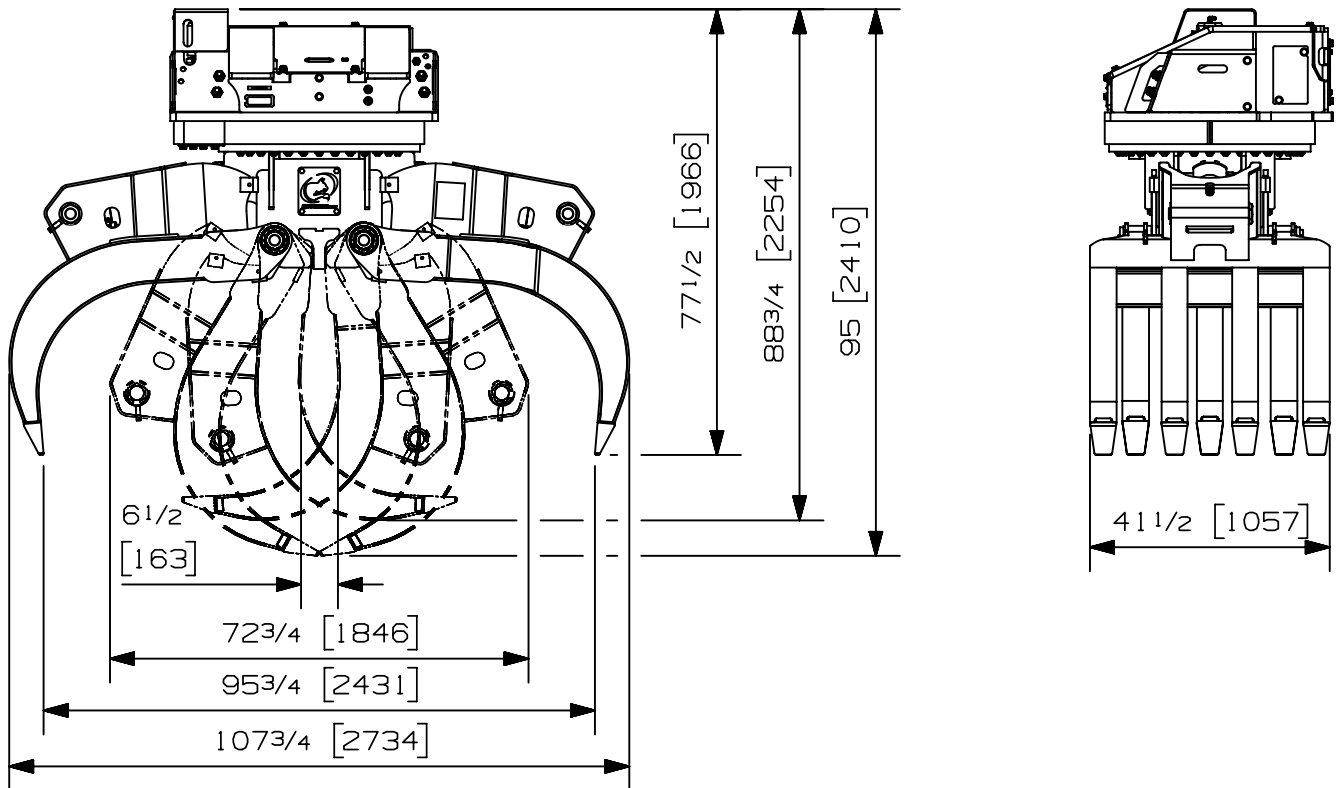


Max load:	n/a lb	n/a kg
Volume:	.50 cord of 8 ft	1.81 m ³
Area tip to tip:	8.00 ft ²	.74 m ²
Rotator lifting capacity:	170000 lb	77111 kg
Torque at relief pressure:	218520 lb-in 2200 psi	24689 Nm 152 bars
Weight:	6010 lb	2726 kg

Rotator	Maximum pressure: 5000 psi 345 bars	Recommended flow: 32 gpm 121 l/min
Rotator recommended flow will produce a speed of 12 rpm		

Cylinder	Diameter	Recommended pressure	Pressure range	Flow range	Lock valves
Standard	4 1/2 " (114 mm)	4000 psi (276 bars)	3000-5000 psi (207-345 bars)	29-41 gpm (110-155 l/min.)	no

Grapple cylinder maximum flow will theoretically produce a complete grapple open/close cycle in 5 seconds.



Options:

- Mini heel set (77 lbs / 35 kg)
- CounterBalance (20 lbs / 9 kg)
- See also RGP-1704 option for more options

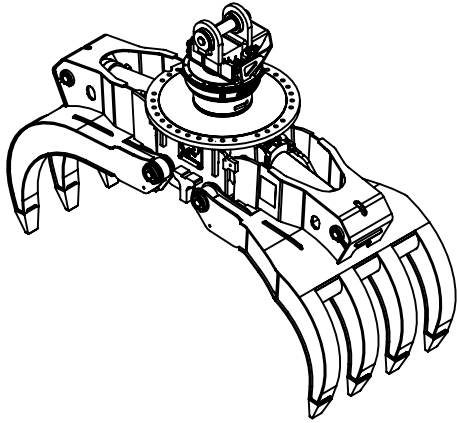
web site: www.rotobec.com

email: rotobec@rotobec.com

Rotobec Inc.: Head office serving OEM's and Eastern Canada Ph: (418) 383-3002 Fax: (418) 383-5334
Rotobec West: Branch serving Western Canada and Western USA Ph: (250) 765-1161 Fax: (250) 765-0035
Rotobec USA: Branch serving Eastern and Central USA Ph: (603) 444-2103 Fax: (603) 444-0327

We reserve the right to change specifications and to improve our products without notice or obligation.

07007-9182
10/01/18 D.L.

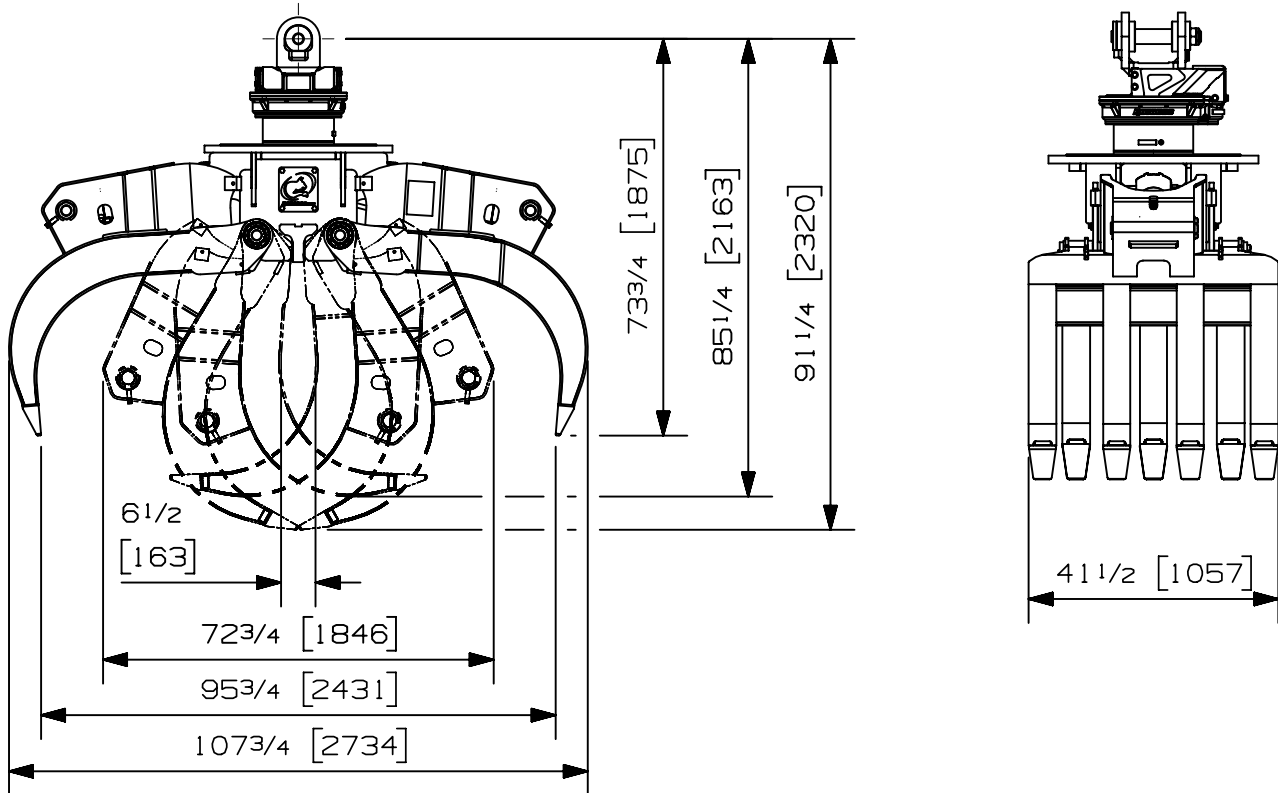


Max load:	n/a lb	n/a kg
Volume:	.50 cord of 8 ft	1.81 m ³
Area tip to tip:	8.00 ft ²	.74 m ²
Rotator lifting capacity:	100000 lb	45359 kg
Torque at relief pressure:	22360 lb-in	2526 Nm
	1450 psi	100 bars
Weight:	4475 lb	2030 kg

Rotator	Maximum pressure: 5000 psi 345 bars	Recommended flow: 8 gpm 30 l/min
Rotator recommended flow will produce a speed of 20 rpm		

Cylinder	Diameter	Recommended pressure	Pressure range	Flow range	Lock valves
Standard	4 1/2 " (114 mm)	4000 psi (276 bars)	3000-5000 psi (207-345 bars)	29-41 gpm (110-155 l/min.)	no

Grapple cylinder maximum flow will theoretically produce a complete grapple open/close cycle in 5 seconds.



Options:

- Mini heel set (77 lbs / 35 kg)
- CounterBalance valve option (20 lbs / 9 kg)
-
-

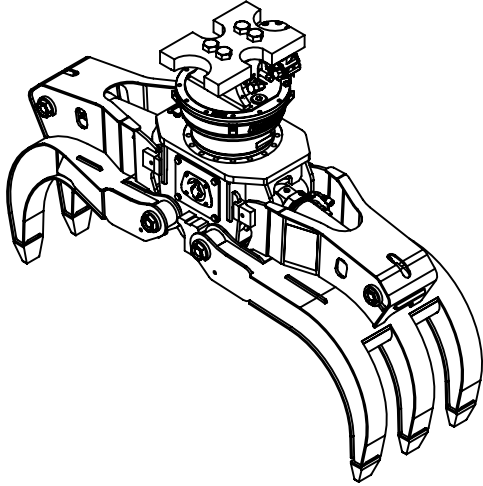
web site: www.rotobec.com

email: rotobec@rotobec.com

Rotobec Inc.: Head office serving OEM's and Eastern Canada Ph: (418) 383-3002 Fax: (418) 383-5334
Rotobec West: Branch serving Western Canada and Western USA Ph: (250) 765-1161 Fax: (250) 765-0035
Rotobec USA: Branch serving Eastern and Central USA Ph: (603) 444-2103 Fax: (603) 444-0327

We reserve the right to change specifications and to improve our products without notice or obligation.

07003-8015
10/01/18 D.L.

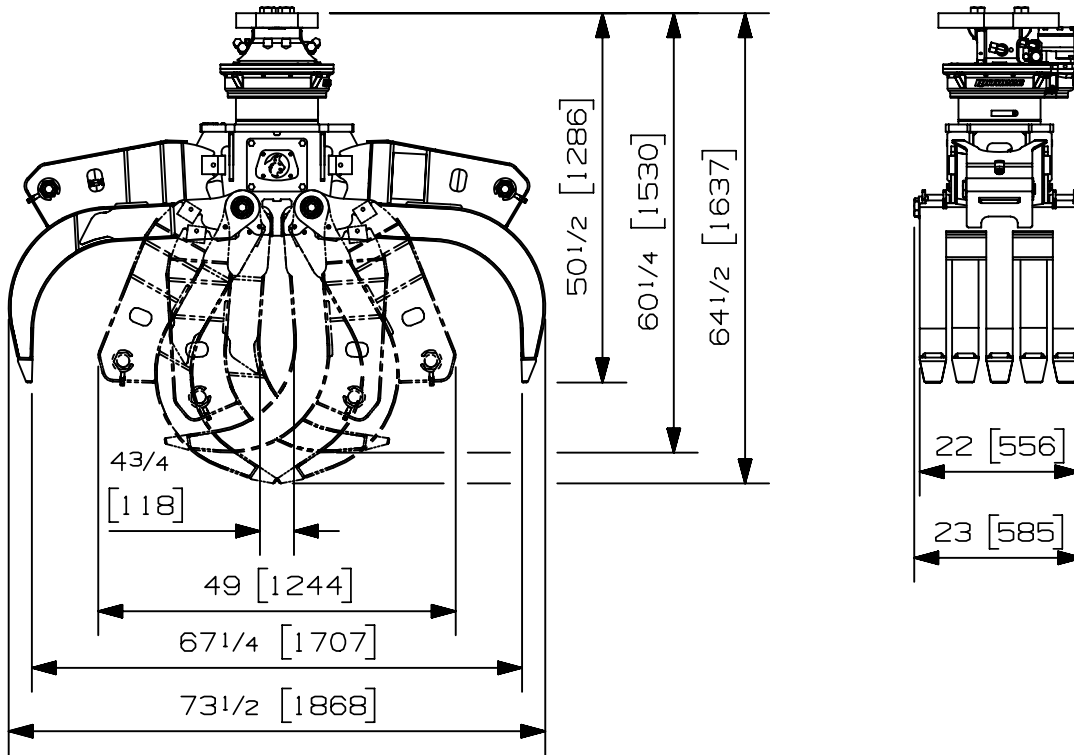


Max load:	- lb	- kg
Volume:	.22 cord of 8 ft	.82 m ³
Area tip to tip:	3.60 ft ²	.33 m ²
Rotator lifting capacity:	50000 lb	22680 kg
Torque at relief pressure:	18140 lb-in	2050 Nm
	913 psi	63 bars
Weight:	1560 lb	708 kg

Rotator	Maximum pressure: 4200 psi 290 bars	Recommended flow: 8 gpm 30 l/min
Rotator recommended flow will produce a maximum speed of 15 rpm		

Cylinder	Diameter	Recommended pressure	Pressure range	Flow range	Lock valves
Standard	3 " (76 mm)	4300 psi (296 bars)	3600 - 5000 psi (248-345 bars)	10 - 15 gpm (38-57 l/min.)	No
Optional	3 1/2 " (89 mm)	3000 psi (207 bars)	2500 - 3500 psi (172-241 bars)	14 - 21 gpm (53-79 l/min.)	No

Grapple cylinder maximum flow will theoretically produce a complete grapple open/close cycle in 4 seconds.



Options:

- Load Holding Valve (9 lbs / 4 kg)
- Mini heel set (22 lbs / 10 kg)
- See also RGP-502 Option for more options

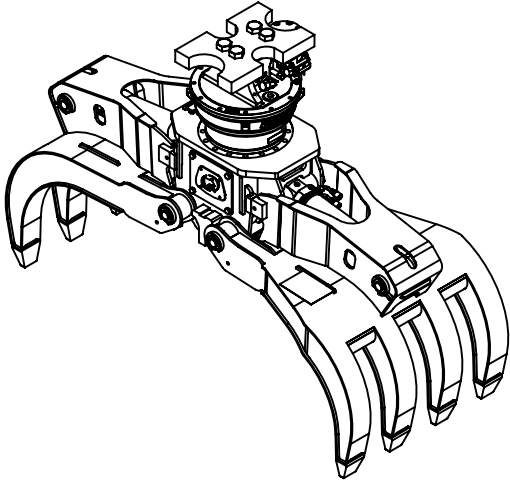
web site: www.rotobec.com

email: rotobec@rotobec.com

Rotobec Inc.: Head office serving OEM's and Eastern Canada Ph: (418) 383-3002 Fax: (418) 383-5334
Rotobec West: Branch serving Western Canada and Western USA Ph: (250) 765-1161 Fax: (250) 765-0035
Rotobec USA: Branch serving Eastern and Central USA Ph: (603) 444-2103 Fax: (603) 444-0327

We reserve the right to change specifications and to improve our products without notice or obligation.

07010-3944
03/12/2020 P.B.

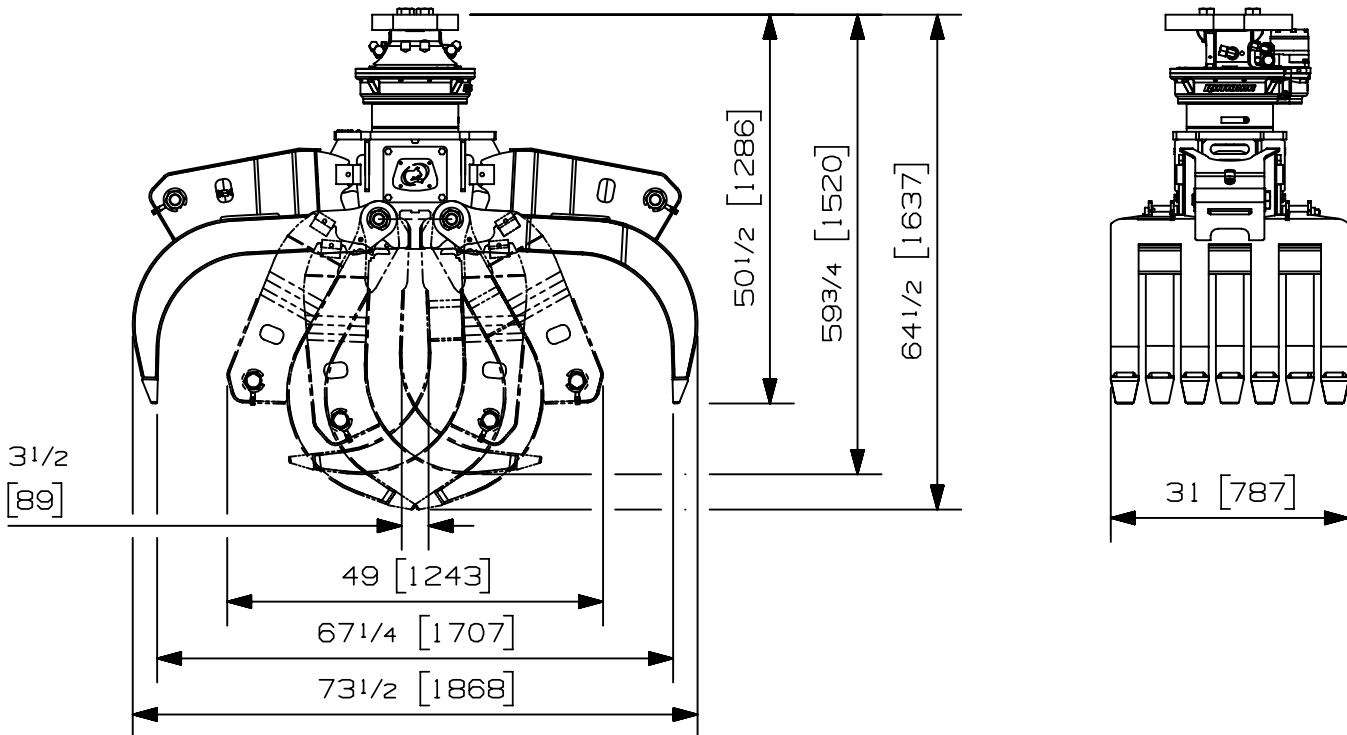


Max load:	n/a lb	n/a kg
Volume:	.23 cord of 8 ft	.83 m ³
Area tip to tip:	3.60 ft ²	.33 m ²
Rotator lifting capacity:	50000 lb	22680 kg
Torque at relief pressure:	18140 lb-in 913 psi	2050 Nm 63 bars
Weight:	1645 lb	746 kg

Rotator	Maximum pressure: 4200 psi 290 bars	Recommended flow: 8 gpm 30 l/min
Rotator recommended flow will produce a speed of 15 rpm		

Cylinder	Diameter	Recommended pressure	Pressure range	Flow range	Lock valves
Standard	3 " (76 mm)	4300 psi (296 bars)	3600-5000 psi (248-345 bars)	10-15 gpm (38-57 l/min.)	no
Standard	3 1/2 " (89 mm)	3000 psi (207 bars)	2500-3500 psi (172-241 bars)	14-21 gpm (53-79 l/min.)	no

Grapple cylinder maximum flow will theoretically produce a complete grapple open/close cycle in 4 seconds.



Options:

- CounterBalance valve option (9 lbs / 4 kg)
- Mini heel set (22 lbs / 10 kg)
- See also RGP-502 option for more options

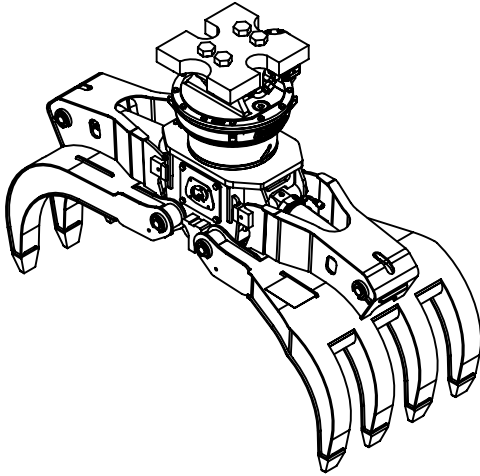
web site: www.rotobec.com

email: rotobec@rotobec.com

Rotobec Inc.: Head office serving OEM's and Eastern Canada Ph: (418) 383-3002 Fax: (418) 383-5334
Rotobec West: Branch serving Western Canada and Western USA Ph: (250) 765-1161 Fax: (250) 765-0035
Rotobec USA: Branch serving Eastern and Central USA Ph: (603) 444-2103 Fax: (603) 444-0327

We reserve the right to change specifications and to improve our products without notice or obligation.

07003-7821
08/01/19 D.L.

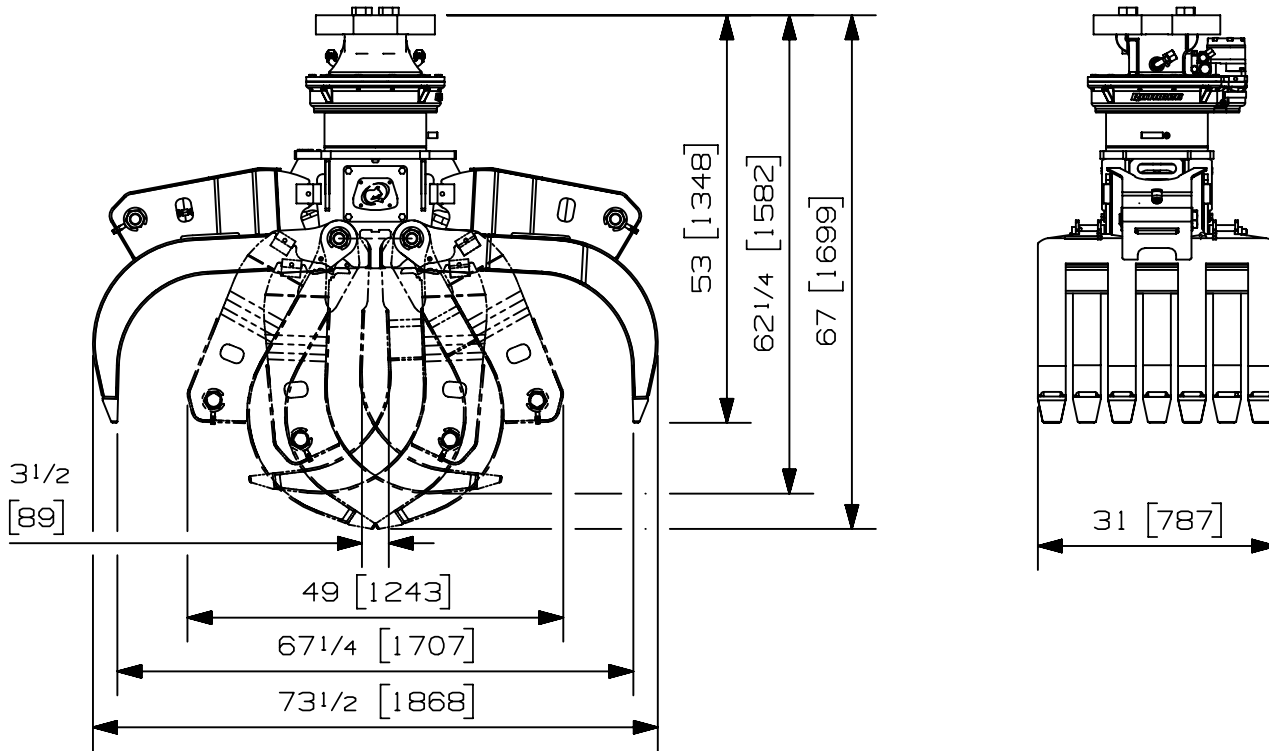


Max load:	n/a lb	n/a kg
Volume:	.23 cord of 8 ft	.83 m ³
Area tip to tip:	3.60 ft ²	.33 m ²
Rotator lifting capacity:	100000 lb	45359 kg
Torque at relief pressure:	21770 lb-in 913 psi	2460 Nm 63 bars
Weight:	1915 lb	869 kg

Rotator	Maximum pressure: 4200 psi 290 bars	Recommended flow: 6 gpm 23 l/min
Rotator recommended flow will produce a speed of 10 rpm		

Cylinder	Diameter	Recommended pressure	Pressure range	Flow range	Lock valves
Standard	3 " (76 mm)	4300 psi (296 bars)	3600-5000 psi (248-345 bars)	10-15 gpm (38-57 l/min.)	no
Standard	3 1/2 " (89 mm)	3000 psi (207 bars)	2500-3500 psi (172-241 bars)	14-21 gpm (53-79 l/min.)	no

Grapple cylinder maximum flow will theoretically produce a complete grapple open/close cycle in 4 seconds.



Options:

- CounterBalance valve option (9 lbs / 4 kg)
- Mini heel set (22 lbs / 10 kg)
- See also RGP-1002 option for more options

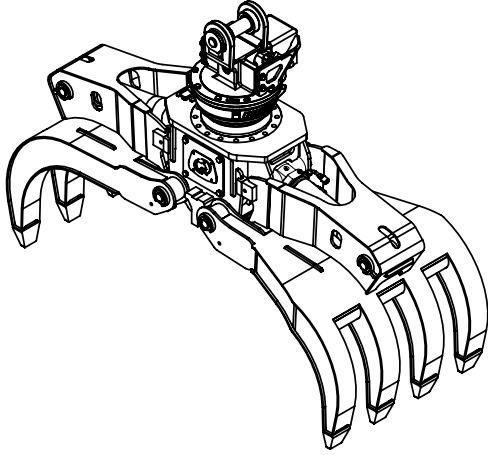
web site: www.rotobec.com

email: rotobec@rotobec.com

Rotobec Inc.: Head office serving OEM's and Eastern Canada Ph: (418) 383-3002 Fax: (418) 383-5334
Rotobec West: Branch serving Western Canada and Western USA Ph: (250) 765-1161 Fax: (250) 765-0035
Rotobec USA: Branch serving Eastern and Central USA Ph: (603) 444-2103 Fax: (603) 444-0327

We reserve the right to change specifications and to improve our products without notice or obligation.

07003-3870
08/01/19 D.L.

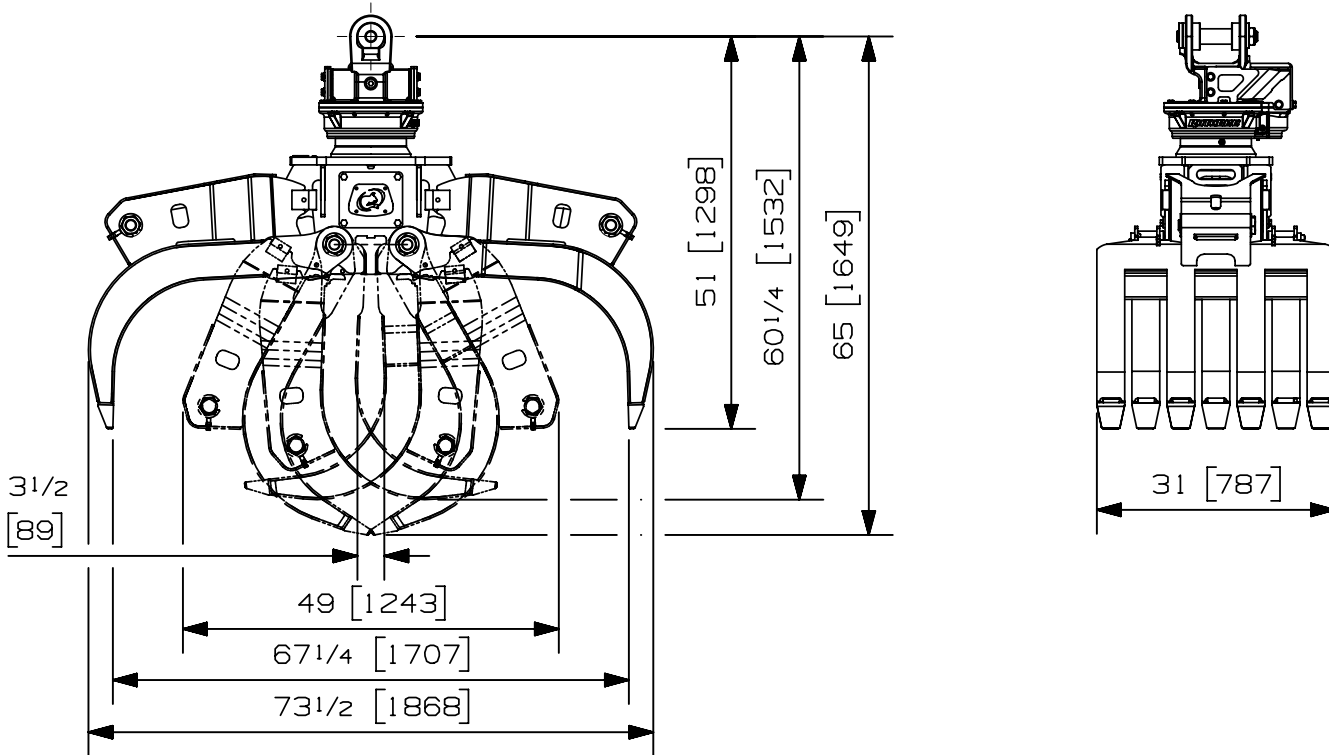


Max load:	n/a lb	n/a kg
Volume:	.23 cord of 8 ft	.83 m ³
Area tip to tip:	3.60 ft ²	.33 m ²
Rotator lifting capacity:	32000 lb	14515 kg
Torque at relief pressure:	16150 lb-in	1825 Nm
	1450 psi	100 bars
Weight:	1500 lb	680 kg

Rotator	Maximum pressure: 5000 psi 345 bars	Recommended flow: 9 gpm 34 l/min
Rotator recommended flow will produce a speed of 30 rpm		

Cylinder	Diameter	Recommended pressure	Pressure range	Flow range	Lock valves
Standard	3 " (76 mm)	4300 psi (296 bars)	3600-5000 psi (248-345 bars)	10-15 gpm (38-57 l/min.)	no
Standard	3 1/2 " (89 mm)	3000 psi (207 bars)	2500-3500 psi (172-241 bars)	14-21 gpm (53-79 l/min.)	no

Grapple cylinder maximum flow will theoretically produce a complete grapple open/close cycle in 4 seconds.



Options:

- CounterBalance valve option (9 lbs / 4 kg)
- Mini heel set (22 lbs / 10 kg)
-
-

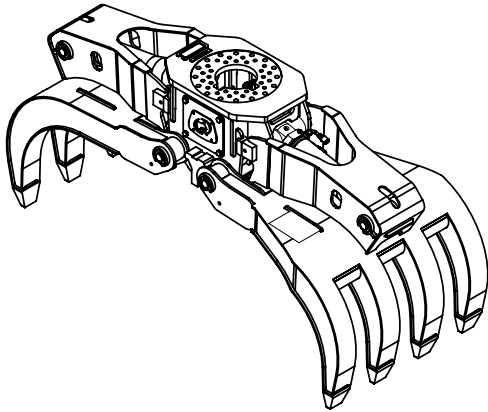
web site: www.rotobec.com

email: rotobec@rotobec.com

Rotobec Inc.: Head office serving OEM's and Eastern Canada Ph: (418) 383-3002 Fax: (418) 383-5334
Rotobec West: Branch serving Western Canada and Western USA Ph: (250) 765-1161 Fax: (250) 765-0035
Rotobec USA: Branch serving Eastern and Central USA Ph: (603) 444-2103 Fax: (603) 444-0327

We reserve the right to change specifications and to improve our products without notice or obligation.

07007-7314
05/01/18 D.L.

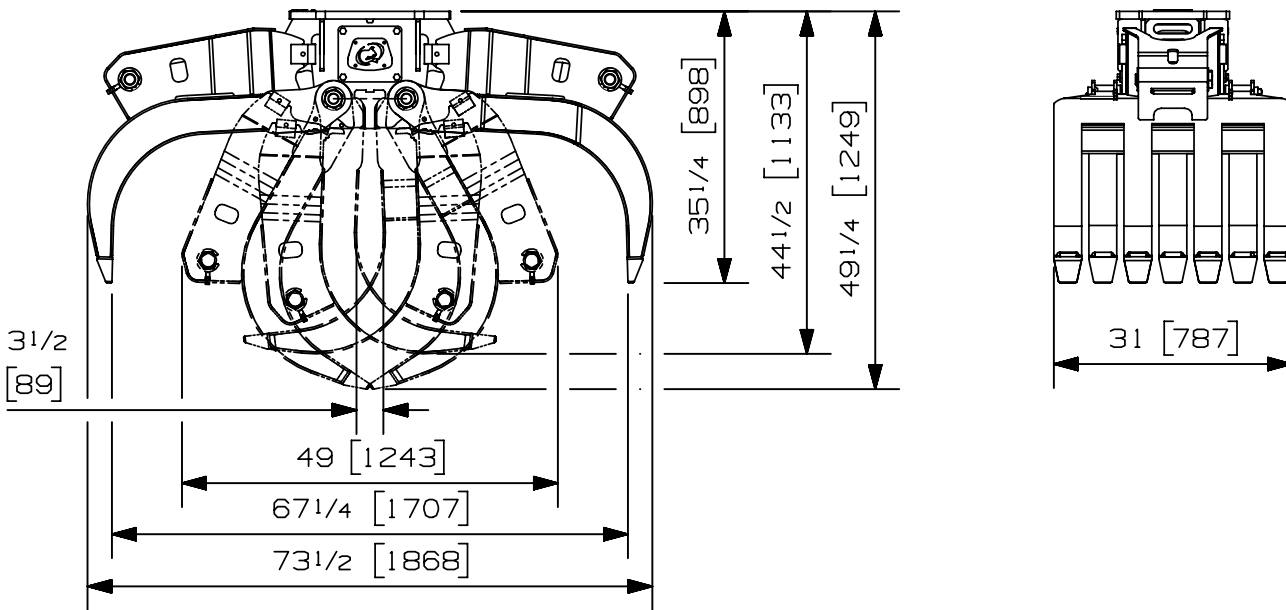


Max load:	n/a lb	n/a kg
Volume:	.23 cord of 8 ft	.83 m ³
Area tip to tip:	3.60 ft ²	.33 m ²
Rotator lifting capacity:	n/a lb	n/a kg
Torque at relief pressure:	n/a lb-in n/a psi	n/a Nm n/a bars
Weight:	1185 lb	538 kg

Rotator	Maximum pressure:	n/a psi	n/a bars	Recommended flow:	n/a gpm	n/a l/min
Rotator recommended flow will produce a speed of 0 rpm						

Cylinder	Diameter	Recommended pressure	Pressure range	Flow range	Lock valves
Standard	3 " (76 mm)	4300 psi (296 bars)	3600-5000 psi (248-345 bars)	10-15 gpm (38-57 l/min.)	no
Standard	3 1/2 " (89 mm)	3000 psi (207 bars)	2500-3500 psi (172-241 bars)	14-21 gpm (53-79 l/min.)	no

Grapple cylinder maximum flow will theoretically produce a complete grapple open/close cycle in 4 seconds.



Options:

- CounterBalance valve option (9 lbs / 4 kg)
- Mini heel set (22 lbs / 10 kg)
-
-

web site: www.rotobec.com

email: rotobec@rotobec.com

Rotobec Inc.: Head office serving OEM's and Eastern Canada Ph: (418) 383-3002 Fax: (418) 383-5334
Rotobec West: Branch serving Western Canada and Western USA Ph: (250) 765-1161 Fax: (250) 765-0035
Rotobec USA: Branch serving Eastern and Central USA Ph: (603) 444-2103 Fax: (603) 444-0327