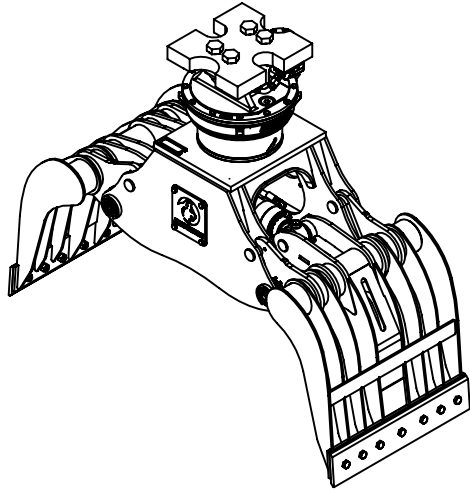


## Sorting & Demolition Grapple 2030SDR RGP-1002

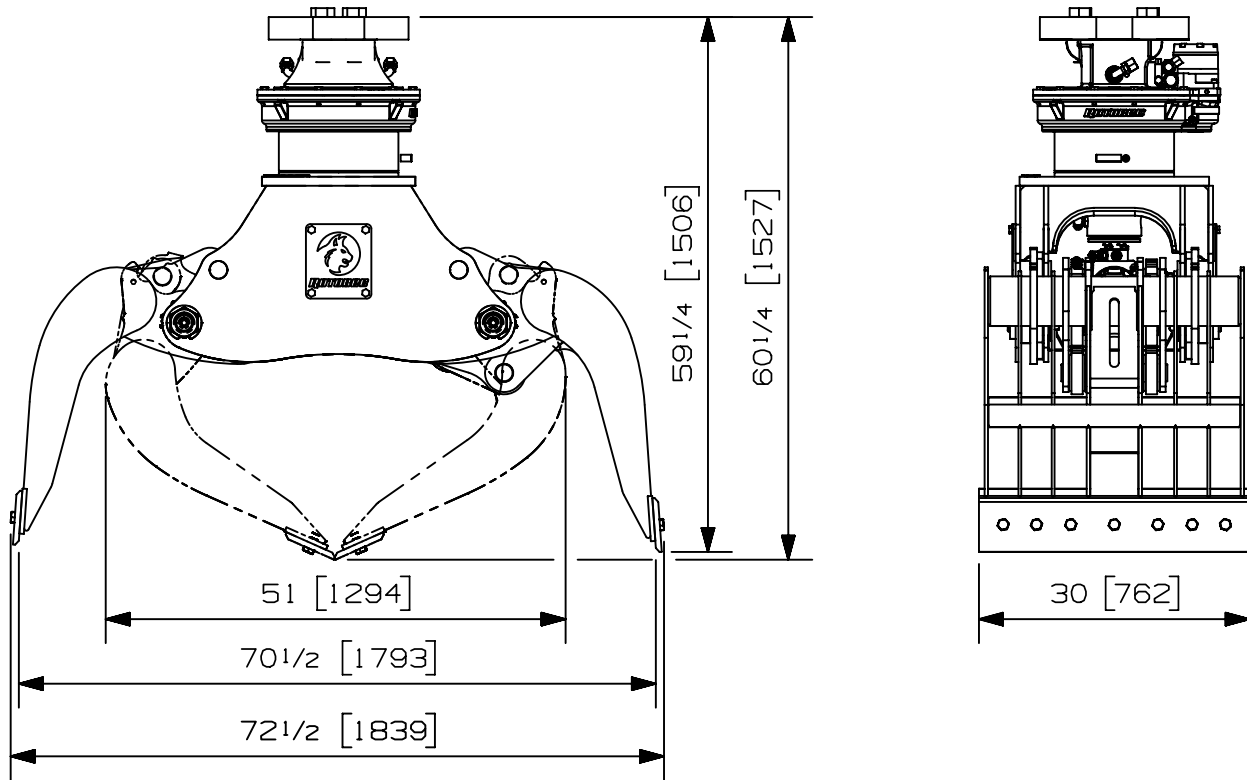


Max load:	- lb	- kg
Volume:	.67 y <sup>3</sup>	.51 m <sup>3</sup>
Area tip to tip:	- ft <sup>2</sup>	- m <sup>2</sup>
Rotator lifting capacity:	100000 lb	45359 kg
Torque at relief pressure:	21770 lb-in	2460 Nm
	913 psi	63 bars
Weight:	2140 lb	971 kg

Rotator	Maximum pressure: 4200 psi    290 bars	Recommended flow: 6 gpm    23 l/min
Rotator recommended flow will produce a maximum speed of 10 rpm		

Cylinder	Diameter	Recommended pressure	Pressure range	Flow range	Lock valves
Standard	3 1/2 " (89 mm)	4300 psi (296 bars)	3600 - 5000 psi (248-345 bars)	9 - 13 gpm (34-49 l/min.)	No

Grapple cylinder maximum flow will theoretically produce a complete grapple open/close cycle in 4 seconds.



**Options:**

- See also RGP-1002 option for more options

-  
-  
-

web site: [www.rotobec.com](http://www.rotobec.com)

email: [rotobec@rotobec.com](mailto:rotobec@rotobec.com)

**Rotobec Inc.:** Head office serving OEM's and Eastern Canada

Ph: (418) 383-3002 Fax: (418) 383-5334

**Rotobec West:** Branch serving Western Canada and Western USA

Ph: (250) 765-1161 Fax: (250) 765-0035

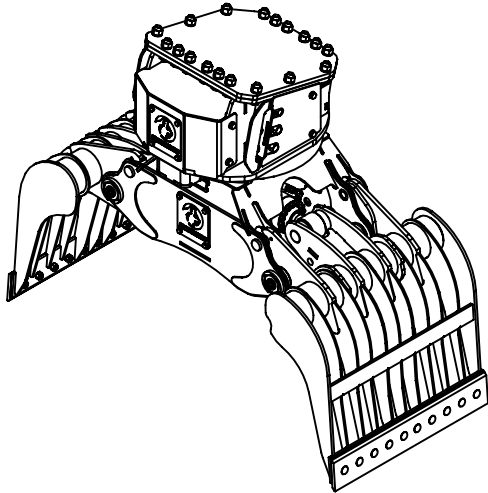
**Rotobec USA:** Branch serving Eastern and Central USA

Ph: (603) 444-2103 Fax: (603) 444-0327

We reserve the right to change specifications and to improve our products without notice or obligation.

07008-1840

13/05/21 D.L.

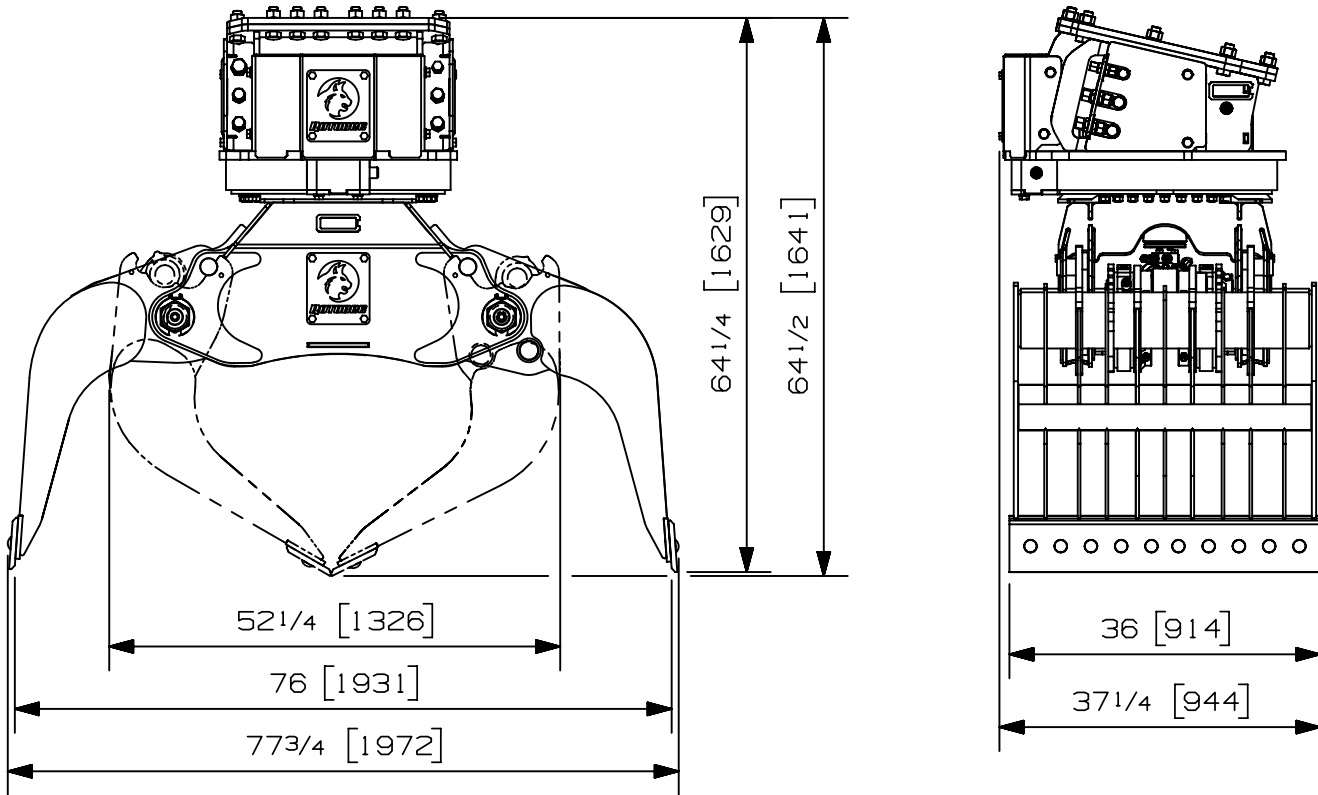


Max load:	- lb	- kg
Volume:	.90 y <sup>3</sup>	.69 m <sup>3</sup>
Area tip to tip:	- ft <sup>2</sup>	- m <sup>2</sup>
Rotator lifting capacity:	90000 lb	40823 kg
Torque at relief pressure:	51150 lb-in 1800 psi	5779 Nm 124 bars
Weight:	2900 lb	1315 kg

Rotator	Maximum pressure: 5000 psi    345 bars	Recommended flow: 12 gpm    45 l/min
Rotator recommended flow will produce a maximum speed of 15 rpm		

Cylinder	Diameter	Recommended pressure	Pressure range	Flow range	Lock valves
Standard	4 " (102 mm)	4300 psi (296 bars)	3600 - 5000 psi (248-345 bars)	13 - 18 gpm (49-68 l/min.)	No

Grapple cylinder maximum flow will theoretically produce a complete grapple open/close cycle in 5 seconds.



Options:

- See also RLP-902 option for more options
- 
- 
- 

web site: [www.rotobec.com](http://www.rotobec.com)

email: [rotobec@rotobec.com](mailto:rotobec@rotobec.com)

**Rotobec Inc.:** Head office serving OEM's and Eastern Canada    Ph: (418) 383-3002 Fax: (418) 383-5334  
**Rotobec West:** Branch serving Western Canada and Western USA    Ph: (250) 765-1161 Fax: (250) 765-0035  
**Rotobec USA:** Branch serving Eastern and Central USA    Ph: (603) 444-2103 Fax: (603) 444-0327

We reserve the right to change specifications and to improve our products without notice or obligation.

07008-3451

13/05/21 D.L.