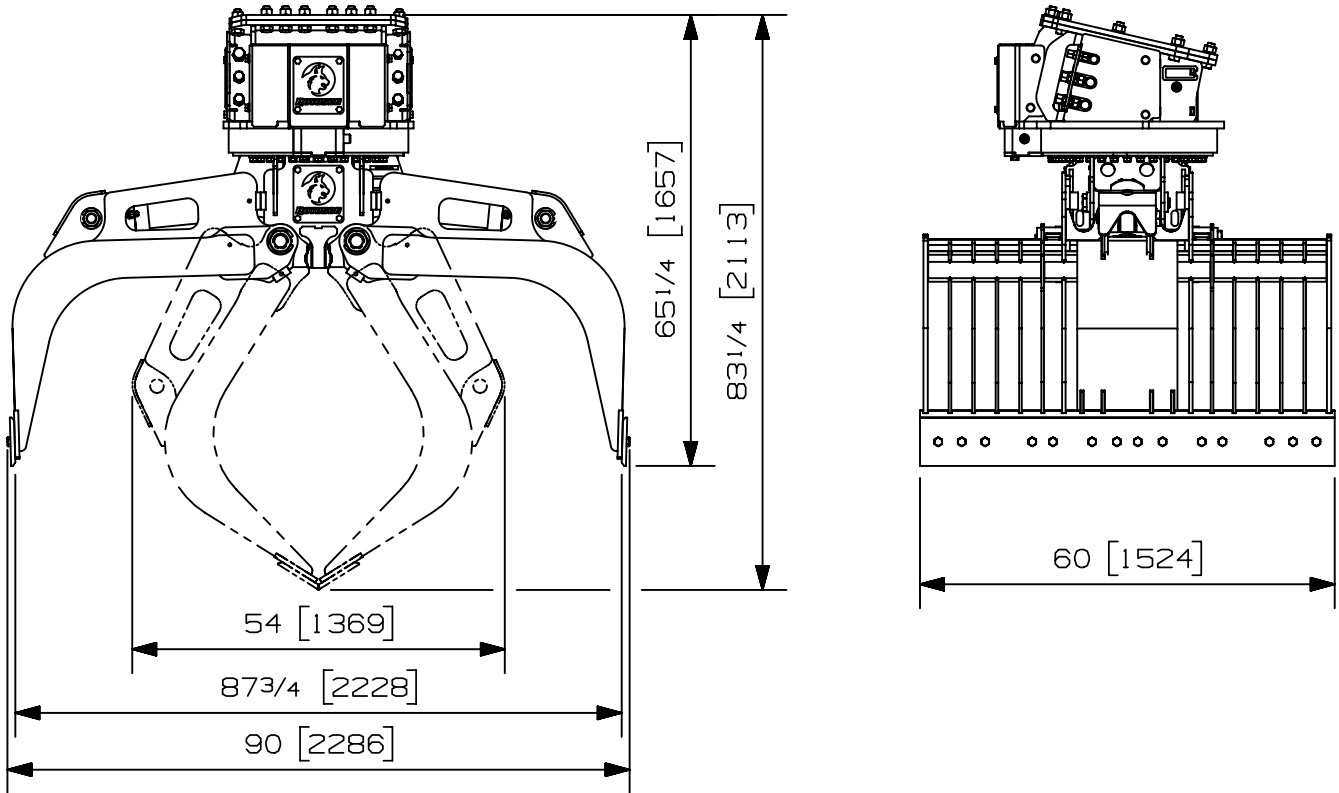


<b>Max load:</b>	- lb	- kg
<b>Volume:</b>	2.50-3.30 y <sup>3</sup>	1.91-2.52 m <sup>3</sup>
<b>Area tip to tip:</b>	9.00 ft <sup>2</sup>	.84 m <sup>2</sup>
<b>Rotator lifting capacity:</b>	90000 lb	40823 kg
<b>Torque at relief pressure:</b>	51150 lb-in	5779 Nm
	1800 psi	124 bars
<b>Weight:</b>	3695 lb	1676 kg

<b>Rotator</b>	<b>Maximum pressure:</b> 5000 psi    345 bars	<b>Recommended flow:</b> 12 gpm    45 l/min
Rotator recommended flow will produce a maximum speed of 15 rpm		

Cylinder	Diameter	Recommended pressure	Pressure range	Flow range	Lock valves
Standard	3 1/2 " (89 mm)	4000 psi (276 bars)	3000 - 5000 psi (207-345 bars)	14 - 20 gpm (53-76 l/min.)	No

Grapple cylinder maximum flow will theoretically produce a complete grapple open/close cycle in 4 seconds.



**Options:**

- Load Holding valve (20 lbs / 9 kg)
- 
- 
- 

Volume: the first value is calculated with a spillover factor of 1.5 and the second one with a compaction factor of 2.0

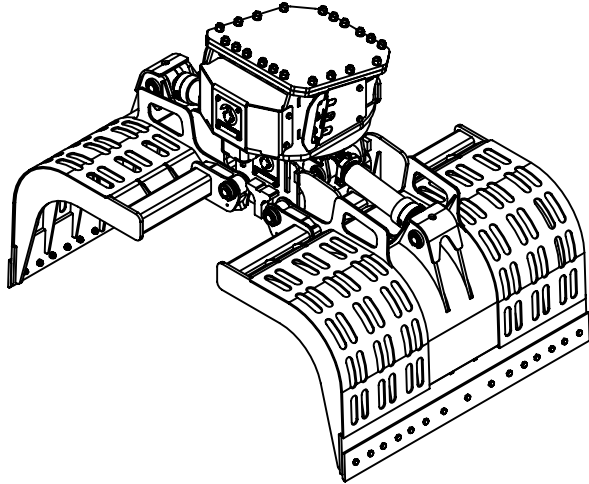
web site: [www.rotobec.com](http://www.rotobec.com)

email: [rotobec@rotobec.com](mailto:rotobec@rotobec.com)

**Rotobec Inc.:** Head office serving OEM's and Eastern Canada    Ph: (418) 383-3002 Fax: (418) 383-5334  
**Rotobec West:** Branch serving Western Canada and Western USA    Ph: (250) 765-1161 Fax: (250) 765-0035  
**Rotobec USA:** Branch serving Eastern and Central USA    Ph: (603) 444-2103 Fax: (603) 444-0327

We reserve the right to change specifications and to improve our products without notice or obligation.

07008-3593  
18/05/21 D.L.

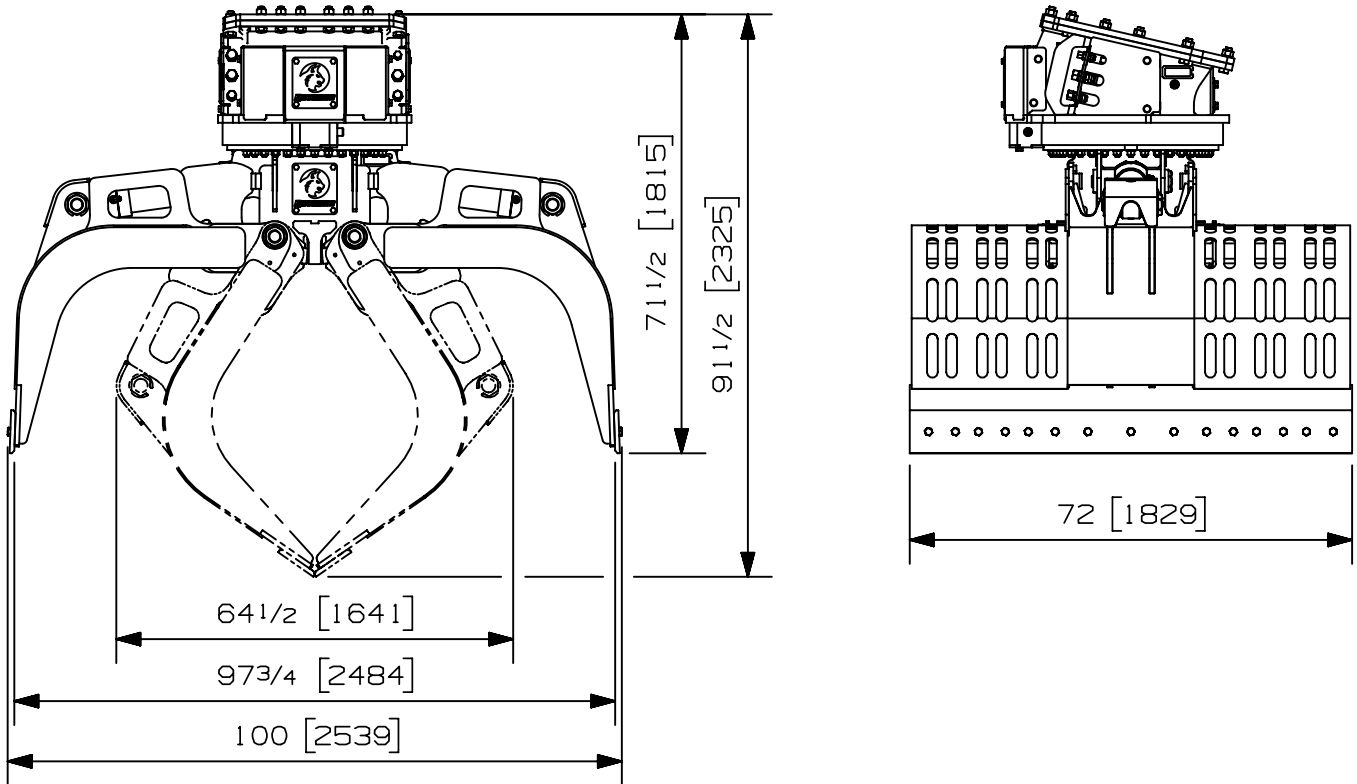


<b>Max load:</b>	- lb	- kg
<b>Volume:</b>	3.60-4.83 y <sup>3</sup>	2.75-3.70 m <sup>3</sup>
<b>Area tip to tip:</b>	11.00 ft <sup>2</sup>	1.02 m <sup>2</sup>
<b>Rotator lifting capacity:</b>	130000 lb	58967 kg
<b>Torque at relief pressure:</b>	59230 lb-in	6692 Nm
	1800 psi	124 bars
<b>Weight:</b>	5375 lb	2438 kg

<b>Rotator</b>	<b>Maximum pressure:</b> 5000 psi    345 bars	<b>Recommended flow:</b> 13 gpm    49 l/min
Rotator recommended flow will produce a maximum speed of 15 rpm		

Cylinder	Diameter	Recommended pressure	Pressure range	Flow range	Lock valves
Standard	4 " (102 mm)	4000 psi (276 bars)	3000 - 5000 psi (207-345 bars)	25 - 37 gpm (95-140 l/min.)	No

Grapple cylinder maximum flow will theoretically produce a complete grapple open/close cycle in 4 seconds.



**Options:**

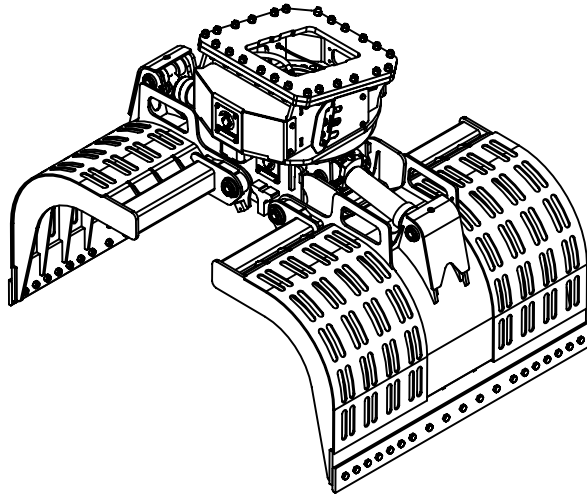
- Load Holding valve (20 lbs / 9 kg)
- 
- 
- 

\*Volume: The first value is calculated with a spillover factor of 1.5 and the second one with a compaction factor of 2.0

web site: [www.rotobec.com](http://www.rotobec.com)

email: [rotobec@rotobec.com](mailto:rotobec@rotobec.com)

**Rotobec Inc.:** Head office serving OEM's and Eastern Canada    Ph: (418) 383-3002 Fax: (418) 383-5334  
**Rotobec West:** Branch serving Western Canada and Western USA    Ph: (250) 765-1161 Fax: (250) 765-0035  
**Rotobec USA:** Branch serving Eastern and Central USA    Ph: (603) 444-2103 Fax: (603) 444-0327

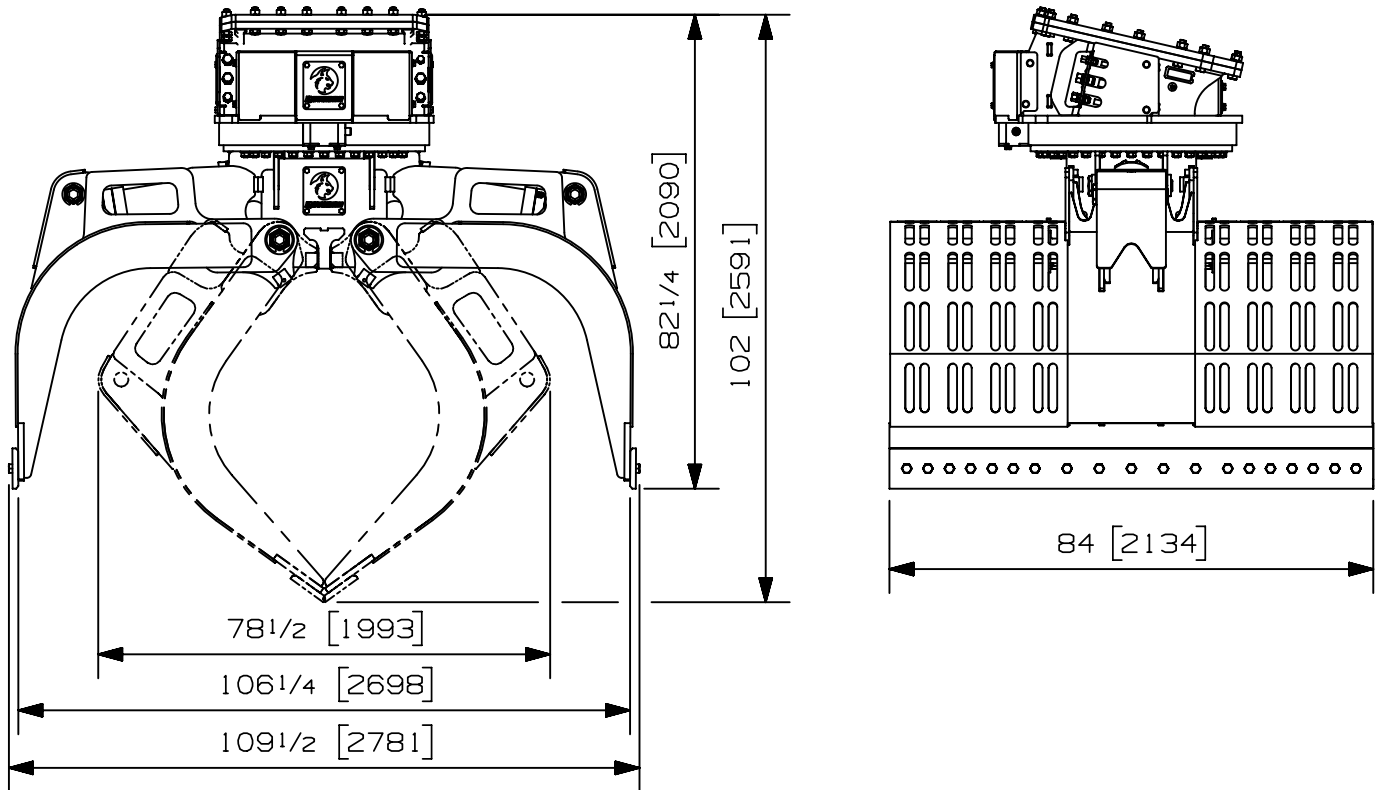


Max load:	- lb	- kg
Volume:	5.90-7.80 y <sup>3</sup>	4.51-5.96 m <sup>3</sup>
Area tip to tip:	15.05 ft <sup>2</sup>	1.40 m <sup>2</sup>
Rotator lifting capacity:	170000 lb	77111 kg
Torque at relief pressure:	73230 lb-in	8274 Nm
	1800 psi	124 bars
Weight:	8030 lb	3642 kg

Rotator	Maximum pressure: 5000 psi    345 bars	Recommended flow: 13 gpm    49 l/min
Rotator recommended flow will produce a maximum speed of 12 rpm		

Cylinder	Diameter	Recommended pressure	Pressure range	Flow range	Lock valves
Standard	4 1/2 " (114 mm)	4000 psi (276 bars)	3000 - 5000 psi (207-345 bars)	29 - 41 gpm (110-155 l/min.)	No

Grapple cylinder maximum flow will theoretically produce a complete grapple open/close cycle in 5 seconds.



Options:

- Load Holding valve (20 lbs / 9 kg)
- 
- 
- 

Volume: The first value is calculated with a spillover factor of 1.5 and the second one with a compaction factor of 2.0

web site: [www.rotobec.com](http://www.rotobec.com)

email: [rotobec@rotobec.com](mailto:rotobec@rotobec.com)

**Rotobec Inc.:** Head office serving OEM's and Eastern Canada  
**Rotobec West:** Branch serving Western Canada and Western USA  
**Rotobec USA:** Branch serving Eastern and Central USA

Ph: (418) 383-3002 Fax: (418) 383-5334  
 Ph: (250) 765-1161 Fax: (250) 765-0035  
 Ph: (603) 444-2103 Fax: (603) 444-0327