

B 20

🚜 130-200 HP max. 20 cm Ø

Pick-up-Mulcher with disc chipper and ejecting chute

Combined technology for a particularly fine mulching result.

The two hydraulic rotors of the B20 pick up the material from the ground while the upper rotor floats up and down. The collected material is fed to the CUT CONTROL rotor inside. The high density of fixed hammers and wear resistant blades already gives an exceptionally good mulching result, before it then spend a second shredding process in the disc wood chipper. The biomass thus derived is ejected with the chute on the field or into the tractor hitch provided.

L'efficienza di B20 è tale che un'area di un ettaro può essere completamente ripulita in poche ore. I residui finemente macinati possono essere riutilizzati come biomassa per impianti di combustione, oppure possono essere conferiti al compostaggio, diventando rapidamente prezioso humus.


Standard version and characteristics

- > Mulches brush & wood up to 20 cm [8"] Ø
- > Working speed 0-2 km/h
- > ISO 3-point rear linkage cat. 3, push drive (Reverse drive system recommend)
- > 750 rpm gearbox
- > Dual side belt transmission
- > Two hydraulic pick-up rotors
- > Disk chipper with exchangeable wear plates and blades made of wear resistant steel
- > Wear resistant expulsion chute, hydraulically tiltable and rotatable
- > Hydraulically adjustable chute deflector
- > Support roller
- > High-density CUT CONTROL Rotor tungsten carbide hammers MINI DUO Tempered COUNTER CUTTERS
- > Chevrons with rear lamps

Required hydraulic fittings

- 5 double acting
- 1 extra return



 YouTube www.youtube.com/seppimulcher

Specifications • B20		
Working width	cm [inch]	150 [59]
Overall width	cm [inch]	200 [79]
Depth	cm [inch]	192 [76]
Height	cm [inch]	230 [91]
Weight (base value)	kg [lb]	3.100 [6,839]
Belts	qty	2 x 5
Flails	qty	28
Nominal tractor power	HP	130-200

Tools



fixed hammers
MINI DUO

B20 · features

Strong and robust chassis made of high tensile and wear-resistant steel with replaceable wear plates.

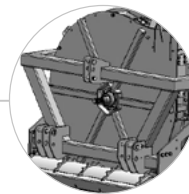


4-in-1: Collection → Mulching → Shredding → Discharging

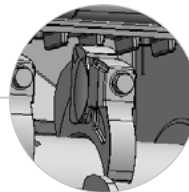


Hydraulic height adjustment of chute deflector

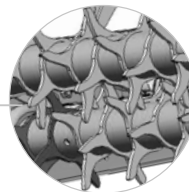
Wear resistant expulsion chute, hydraulically tiltable and rotatable



The mulched material is shredded a second time now in the disc shredder; the result is finest biomass



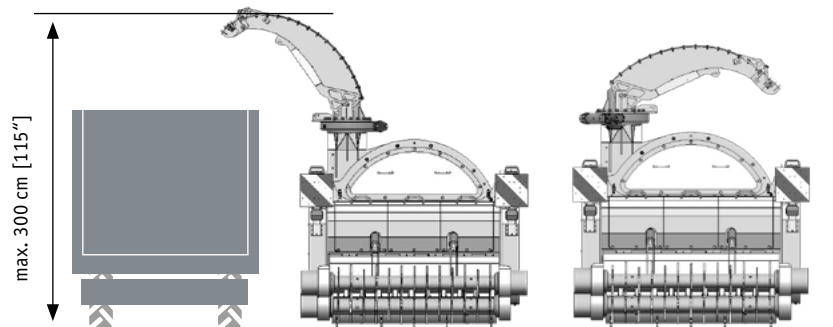
High-density CUT CONTROL rotor MINI DUO fixed hammers with tungsten carbide tips, tempered COUNTER CUTTERS



Hydraulic rotors pick up the material and feed it into the machine.



Adjustable support roller
Reinforced bearing and roller



Machine delivered without trailer.

* recommended height

MIDIFORST drago

100-190 HP max. 15 cm Ø

Trinciatrice forestale con il sistema per la raccolta del materiale trinciato

The MIDIFORST drago collects wood up to 15 cm [6"] from the ground for further use. As well as wood various other materials such as grass, leaves and biodegradable waste can be mulched and collected.

The mulched material is taken by a conveyer belt up the chute and can then be collected and carted away in a trailer, leaving the soil clear of material.

Thanks to this system, the soil remains free of shredded material and biodegradable material is created for composting and further use.

Standard version and characteristics

- > Mulches wood up to 15 cm [6"] Ø
- > Working speed 0-5 km/h
- > ISO 3-point rear linkage cat. 2
- > 1000 rpm gearbox with freewheel
- > Dual side belt transmission
- > Wear resistant aerodynamic chute, hydraulically adjustable with rubber conveyor belt
- > Hydraulically adjustable chute deflector
- > Adjustable rear hood with variable rakes
- > Support roller
- > Front protection with chains
- > Helical rotor with combination of SMW flails and fixed CARBIDE hammers MINI DUO
- > 4 rows of tempered COUNTER CUTTERS

Required hydraulic fittings

- 3 double acting
- additional 1 in case of trailer



YouTube www.youtube.com/seppimulcher

Specifications · MINIFORST drago

Working width	cm [inch]	200 [79]
Overall width	cm [inch]	233 [92]
Depth	cm [inch]	140 [55]
Height	cm [inch]	200 [79]
Weight (base value)	kg [lb]	2.220 [4,900]
Belts	qty	2 x 5
Flails	qty	29 + 32
Nominal tractor power	HP	100-190

Tools

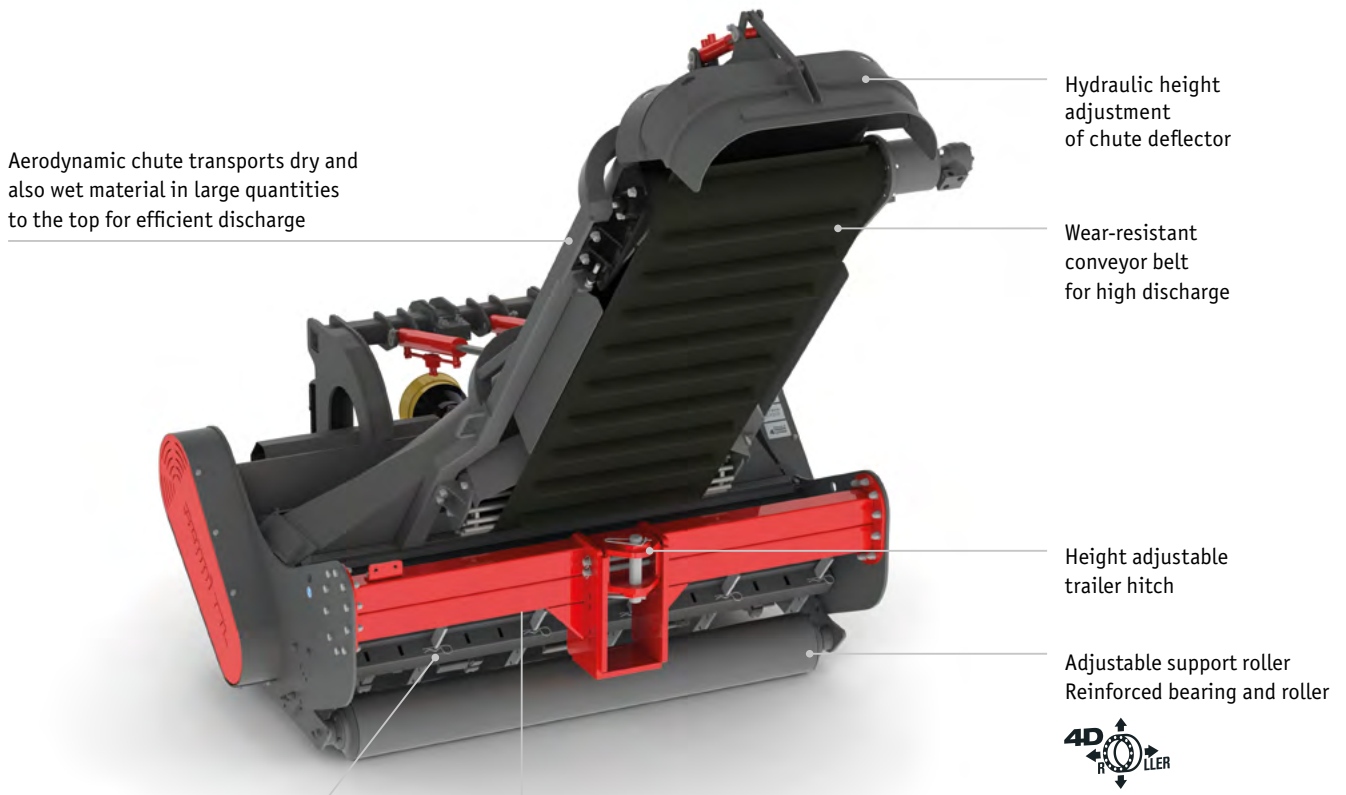


flail
SMO

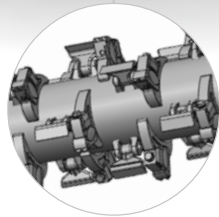


fixed hammer
MINI DUO

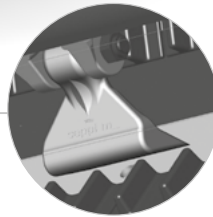
MIDIFORST drago · Eigenschaften



Adjustable rear hood with variable rakes



HELIX ROTOR TECHNOLOGY
COUNTER CUTTERS



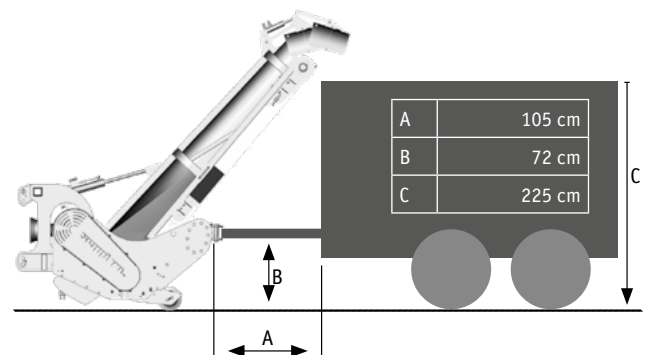
Low power consumption at maximum throughput with HELIX rotor technology

Rotor combination with flails and hammers SMO Schlägeln und festen MINI DUO Werkzeugen Tempered counter cutters inside the chassis provide a perfect result when mulching.

Machine delivered without trailer. When using a trailer, make sure it matches the recommended dimensions.

Trailer

Category:	2
Vertical load:	max. 2.000 daN [8,900 lbf]
Trailed mass:	max. 14 tons [30k lbs]



S7 drago

60-120 HP max. 7 cm Ø

Flailmulcher with chute for collecting mulching material

The hood of the classic flail mulcher has here been replaced by an ejection chute. With this combined system, the soil remains free of wood lumber. The mulch is ejected through the funnel and collected by the trailer.

Optimal aerodynamics as well as the resulting air circulation through rotor and flails provide the necessary momentum.

Various materials and biodegradable waste can be mulched and collected, such as grass, wood and leaves, and other biomass on cow pastures and horse paddocks.


Standard version and characteristics

- > Mulches grass and brush up to 7 cm [2.8"]Ø
- > Working speed 3-10 km/h
- > 3 point rear linkage cat. 2
- > 540 rpm gearbox with freewheel
- > Belt transmission
- > Hydraulically operated hood/chute
- > Rubber front protection
- > Tempered COUNTER CUTTERS
- > Rotor with SMO flails

Optional configuration and accessories

- > 1000 rpm gearbox
- > Trailer 1,5 m³ (for model 150)
- > Trailer 2,5 m³ (for model 200)
- > XAN sweeper



 www.youtube.com/seppimulcher

Specifications - S7 drago			
Working width	cm [inch]	150 [59]	200 [79]
Overall width	cm [inch]	165 [65]	215 [85]
Depth	cm [inch]	155 [61]	155 [61]
Height	cm [inch]	145 [57]	145 [57]
Weight (base value)	kg [lb]	580 [1,280]	710 [1,570]
Belts	qty	4	4
Flails	qty	15	21
Nominal tractor power	HP	60-120	60-120

Tools



S7 drago · features

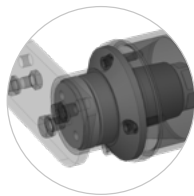
Robust double wall chassis made of high tensile steel S420.



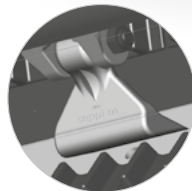
Required hydraulic fittings	
Hydraulically operated chute	1 double acting
Optional trailer	2 double acting



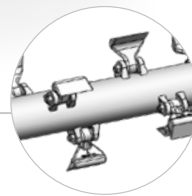
The optional sweeper XAN collects leaves and prunings from row sides and brings the material in front of the mulcher



- Adjustable support roller
- Reinforced bearing and roller



2 rows of tempered counter cutters for a perfect mulching result



Triple helical rotor with SMO flails
Low power consumption at maximum throughput with HELIX ROTOR technology

