

PL SG



ROAD PLANERS FOR MILLING UNDER GUARDRAIL

PL SG

Designed to remove layers of asphalt or cement under the guardrail, the PL SG planer features a slide with support slide, a sliding stop on the upper part, wall side (for resting against guardrail), hydraulic depth adjustment and hydraulic side shift. Option to mount conveyor belt for removing and clearing material milled from trench.

WATCH THE VIDEO

Scan the QR code using your smartphone



Interchangeable milling drums in different widths, available on request.



Hydraulic side shift

Hydraulic depth adjustment

Scan the QR code using your smartphone

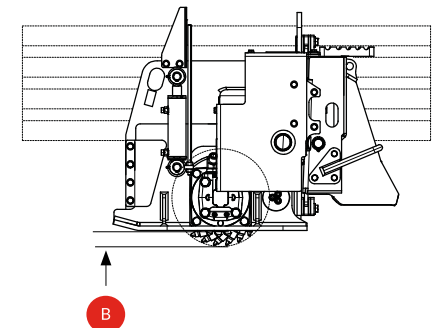
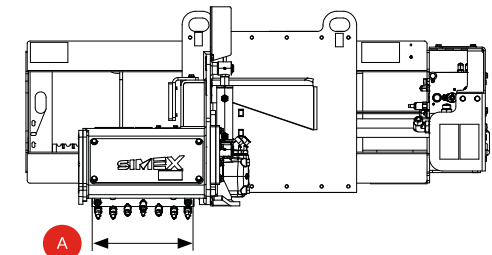


TECHNICAL DATA

PL SG

Standard drum width	A	mm inch	350 14
Depth	B	mm inch	0 - 150 0 - 6
Depth adjustment			mechanical / hydraulic optional
Side shift			Hydraulic
Operating weight (1)		kg lbs	715 1570
Operating weight with belt (*) (1)		kg lbs	910 2000
Required oil flow		l/min gpm	75 - 140 18 - 38
Maximum oil pressure		BAR psi	310 4500

(1) The installer is responsible for ensuring that the equipment meets the prime mover's specifications and weight requirement.
 (*) Optional
 Simex does not accept responsibility or liability for the information provided. Technical modifications may vary without prior notice.



PL SG belt for unloading milled material on side

