

# PLB PHD

Mini Exc. | Midi Exc. | Excav. | Backhoe | 2 - 22 TON

## PLANERS

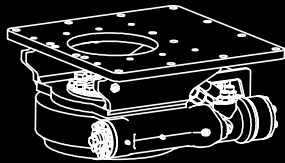
PLB 200 | PLB 300 | PLB 350 | PLB 400 | PLB 450 | PHD 450 | PHD 600

WATCH THE VIDEO

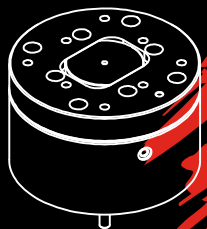
Scan the QR code using your smartphone



Manual or hydraulic depth adjustment (optional).



**360° HYDRAULIC ROTATION (OPTIONAL):** activated from the cabin, allows milling in any position, even in the most difficult-to-reach spots.



**135° MECHANICAL ROTATION WITH HYDRAULIC LOCKING (OPTIONAL):** available on models from PLB 200 to PHD 450. Does not require additional hydraulic control.

Independent RH-LH depth adjustment (PLB 350 and PHD 450).



## PERFORMER

Performer: allows the operator to optimize the equipment's performance according to the forward speed of the operating machine.

Nebulizer kit (optional)

Boom-planer connection support pivoted on same rotation axis as cutter drum.

Motor in direct drive with the drum.

Designed to mill pre-set sections on hard and compact surfaces, the PLB and PHD planers for excavators are able to remove the entire layer of asphalt or cement in preparation for trenching, or are used to mill deteriorated sections for later resurfacing. These planers for excavators can work on horizontal, vertical or sloped surfaces.

**AVAILABLE DRUMS AND DISKS:**



**STANDARD DRUMS**



**CEMENT DRUM**  
Reduced pitch compared with standard drum



**SPECIAL DRUM**  
For widths and/or depths other than standard



**CUTTING DISK**

**AVAILABLE TEETH:**



**TEETH FOR ASPHALT**



**TEETH FOR CEMENT**



**PLB 450.** Removal of deteriorated concrete for later resurfacing.



**PHD 450.** Creating tracks in tunnels.



**PHD 450.** Asphalt removal in preparation for trenching.



**PLB 350.** Side-by-side passes.



**PLB 450.** Footpath milling.



**PHD 450** Detailed view of milled channel.



**PLB 300.** Removal of asphalt layer on a road construction site

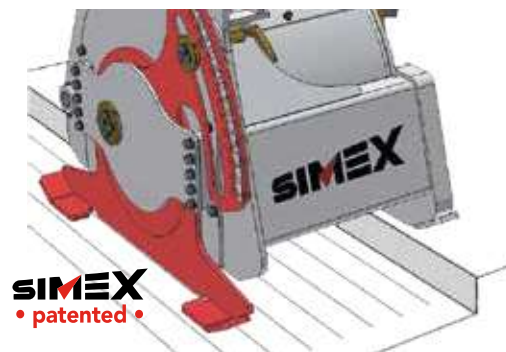
### CONSTANT PLANING DEPTH

Thanks to the swinging support pivoted on the same rotation axis as the cutter drum, the attachment maintains a perfect planing surface in any condition, regardless of ground contour or the position of the attachment with respect to the prime mover.



### PLB 350 AND PHD 450: INDEPENDENT DEPTH ADJUSTMENT

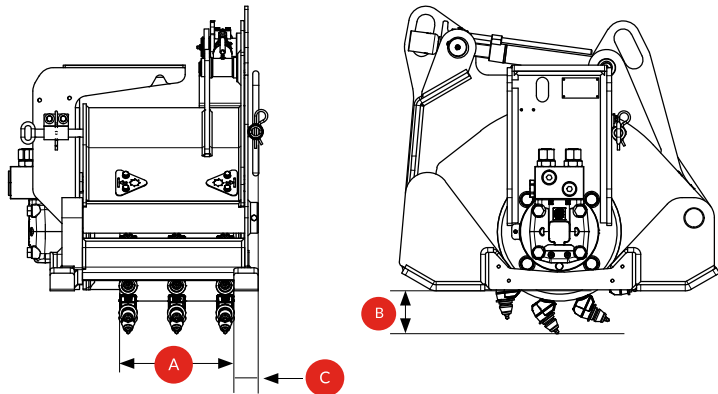
Independent RH-LH depth adjustment allows the slide on the opposite side of the motor to be height-adjusted independently. This ensures perfect surfaces with side-by-side passes.



### VAULT PLANING

The PLB and PHD swing planers ensure great versatility as they can work on any surface, including vertical and sloped. Such as in vault planing for creating tracks and recesses, to accommodate cables of various kinds or pipes. The planers for excavators ensure scarification depth and uniformity along the tunnel profile.





DOWNLOAD THE UPDATED TECHNICAL BROCHURE

Scan the QR code using your smartphone



TECHNICAL DATA		SINGLE DEPTH					DOUBLE DEPTH	
		PLB 200	PLB 300	PLB 400	PLB 450	PHD 600	PLB 350	PHD 450
Recommended excavator weight (1)	ton lbs	2 - 4 4400 - 8800	3 - 7 6600 - 15400	6 - 9 13000 - 20000	8 - 13 17600 - 29000	16 - 22 35000 - 48400	6 - 9 13000 - 20000	10 - 16 22000 - 35000
STANDARD DRUM								
Width	<b>A</b> mm inch	200 8	300 12	400 16	450 18	600 24	350 14	450 18
Depth	<b>B</b> mm inch	0 - 70 0 - 3	0 - 100 0 - 4	0 - 120 0 - 5	0 - 150 0 - 6	0 - 200 0 - 8	0 - 120 0 - 5	0 - 180 0 - 7
SPECIAL DRUMS UPON REQUEST								
Width	<b>A</b> mm inch	50 - 250 2 - 10	50 - 300 2 - 12	50 - 400 2 - 16	75 - 450 3 - 18	75 - 600 3 - 24	50 - 350 2 - 14	75 - 450 3 - 18
Max. depth	<b>B</b> mm inch	125 5	130 5	150 6	200 8	250 10	150 6	220 9
Independent RH-LH depth adjustment	-	-	-	-	-	-	Standard	Standard
Min. distance from footpath	<b>C</b> mm inch	40 (20*) 1.6 (0.8*)	50 (25*) 2 (1*)	50 (25*) 2 (1*)	60 (30*) 2.4 (1.2*)	75 (40*) 2.6 (1.4*)	50 (27*) 2 (1*)	75 (40*) 3 (1.4*)
Swinging support rotation angle	-	120°	127°	118°	120°	105°	118°	102°
Operating weight	kg lbs	185 407	390 860	515 1130	710 1560	1150 2530	530 1160	900 1980
Required oil flow	l/min gpm	30 - 50 8 - 13	45 - 75 12 - 20	55 - 90 15 - 24	75 - 140 20 - 37	120 - 200 32 - 53	55 - 90 15 - 24	90 - 140 24 - 37

(1) The installer is responsible for ensuring that the equipment meets the excavator's specifications and weight requirement.

(\*) Upon request.

Simex does not accept responsibility or liability for the information provided. Technical modifications may vary without prior notice.