



Oceanix Water Tech™
POOL EQUIPMENT

MINERAL PERFECT OPTIMISER NI CHLORINATOR



- Works in conjunction with a wide range of salt and mineral levels
- 3 Year warranty on the power-pack and 5 year on the cell
- Inbuilt time clock with up to 4 x timer periods for each day
- High quality components to withstand the harshest of outdoor conditions
- Controller housing sealed to prevent insect ingress



Call 02 8924 1526
info@phoenixoceania.com.au

MINERAL PERFECT OPTIMISER NI CHLORINATOR

Swimming in the ocean is invigorating and refreshing, so no wonder salt chlorinators have become the standard for swimming pool sanitising. Manual dosing of chlorine or other chemicals can be haphazard and unreliable. Other types of sanitisers kill bacteria as the water passes through them but do not leave a residual in the water so that the whole body of water is always healthy and safe.

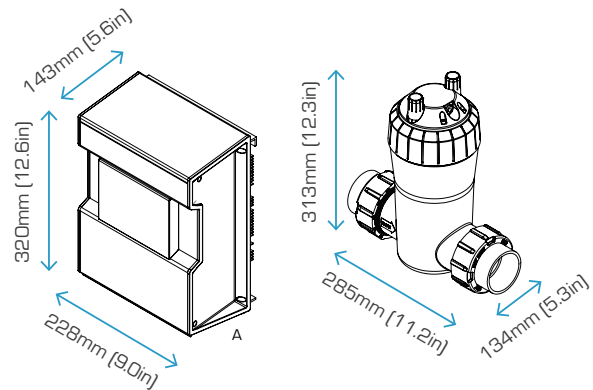
There have been many ways and methods produced and promoted to sanitize your pool water but few are as effective, safe and reliable as a salt or mineral chlorinator. For your pool to be safe to swim in, algae and bacteria needs to be eliminated. The chlorinator cell instantly kills algae and bacteria as the pool water passes through the cell but in addition, it creates a residual sanitiser level which stays in the pool water, killing contaminants as they enter the water in any part of the pool.

The Ni chlorinator has an intelligent variable reverse polarity algorithm that ensures debris and calcium that adhere to the inside of the cell are cleaned, almost eliminating the manual cleaning process and ensuring long life.

A unique cell tilt sensor ensures correct installation and enhances the safety of your pool. In addition, the cell is designed for a large range of flow rates which is especially desirable with today's modern variable speed pool pumps. The ability to process both low and high water flow rates ensures the water covers all critical cell components improving efficiency and the life of your chlorinator.

The easy to use in built timer enables different time periods and pump speeds when integrated with Insnrg's Qi Variable speed pump. This allows flexible choice of high flow circulation to reach all areas of your pool and then minimize your operating costs by reducing the pump speed for the rest of the day.

Combine with Insnrg's inTouch pool automation app so that you can monitor, change outputs and timer periods from your smart phone or tablet.



MODEL	NI 25		N 40	
OUTPUT (g/hr)	25		40	
RECOMMENDED MAXIMUM POOL VOLUME	LITRES	GALLONS	LITRES	GALLONS
TROPICAL (Ave 20°C/68°F)	50,000	13,200	80,000	21,100
TEMPERATE (Ave 15°C/60°F)	95,500	25,100	152,000	40,200
LOW SALT (Between 2-3,000ppm)	50,000	13,200	80,000	21,100

*Based on 8 hours per day pump operation, correct water balance

The Ni Chlorinator comes complete with a 3 year warranty on the powerpack and 5 year warranty on the cell. Refer to Installation and Operating Manual for full warranty details.

Our family-owned and run business regards relationships at the forefront of everything we do. With over 40 years of industry experience in our team, our mission is simple. To provide the absolute highest standard of pool products and services Australia has to offer.

Phone : 02 8924 1526

Email: info@phoenixoceania.com.au

Address: Unit 8 & 9, 89 Darley Street,
Mona Vale, NSW 2103

Website: www.phoenixoceania.com.au



Proudly Australian Owned