



VOLUME 15



WEBSITE



World's Most Trusted Gate Hardware



D&D Technologies®
www.ddtech.com

New Products



LokkLatch® REGULAR S3
Privacy Latch LL3A



TruClose® MULTIADJUST Heavy Duty
TCHDMA1S3BT



TruClose® MULTIADJUST Heavy Duty
TCHDMA1S3WT



Shut-It® Bolt-on
Black Powder Coated Range



Shut-It® Self-closing Hinge Sets
CI3850, CI3850R, CI3850FM, CI3860, CI3860FM



Stainless Steel™ Adjustable,
Self-Closing Hinges in White



D&D Technologies
World's most trusted gate hardware

Since 1989

Proudly the world's leading innovator and manufacturer of premium gate latches, locks and hinges...

The installation of a new gate is an important decision, regardless of it being for residential, industrial, commercial or child safety applications.

In general, gate latches and hinges make up just 1% of the total cost of a fencing installation...but they make the other 99% function and protect effectively.

The operation, construction (materials used), quality, weight, functionality, footprint and security are just some of the variations to consider when making an informed decision about gate hardware.

For over 35 years D&D Technologies has been developing gate-closing systems you can trust, with state-of-the art manufacturing, quality testing and, most importantly, products backed by a guarantee to always perform to their intended use.

D&D Technologies now has over 350 Hi-Performance Gate Hardware Solutions!

AWARDS, MEMBERSHIPS, GLOBAL AFFILIATIONS & COMPLIANCES

D&D Technologies operates under a fully accredited and internationally recognized ISO 9001 Quality Assurance System, which governs the design and manufacture of all our proprietary products.



Australian
Design
Award



MASTER BUILDERS
AUSTRALIA
2016 National Award Winner



SILVER MEDAL



LEONT GENEVA



American
Fence
Association

NORTH AMERICA

- U.S. Consumer Product Safety Commission (CPSC)
- American Fence Association member
- Pool and Hot Tub Alliance (PHTA)
- International Code Council (ICC)
- ASTM International (ASTM)
- Co-founder/Sponsor, National Drowning Prevention Alliance (NDPA)

AUSTRALIA-NZ

- Australian Made™ – an accreditation which ensures products that carry the logo are certified as ‘genuinely Australian’.
- Master Locksmiths Association of Australasia Ltd
- Standards Australia – Pool Fencing & Safety Gate Compliance
- Swimming Pool & Spa Association (SPASA)
- Laurie Lawrence’s “Kids Alive – Do The Five” Drowning Prevention
- WaterSafe Auckland™
- McDonald’s® Restaurant Playlands (Australia)
- Architectural Hardware Industry Association (AHIA)
- Master Builders’ Association (MBA)

EUROPE

- Relevant products conform with AFNOR Standard NF P90-306 (relating to swimming pools; tested by LNE EO13331)

WARRANTIES & LIABILITY

All D&D Technologies’ (“D&D”) proprietary* products are warranted free of defects in materials and workmanship to the original purchaser for as long as they own the product.

If a structural defect appears, the original purchaser may return the item, freight prepaid, together with proof-of-purchase to D&D or its approved international agents.

D&D or its agent will, at their discretion, repair or replace the defective item or part without charge to the purchaser.

THIS WARRANTY SHALL NOT APPLY WHEN the product has been tampered with, when repairs or attempted repairs have been made by unauthorized persons, where the item has been subjected to misuse, abuse, accident or damage in transit, or where the installer has not followed the instructions set out during installation, operations or Maintenance Requirements.

IN NO EVENT SHALL THE COMPANY BE LIABLE FOR ANY INCIDENTAL OR CONSEQUENTIAL DAMAGES. No warranty is given other than that set out above. No other express or implied warranties (including statutory warranties) apply, other than warranties which may not be legally excluded.

For full Warranty terms & conditions please refer to the individual products’ documentation.

Note: D&D Technologies reserves the right to modify or update any products within this catalog without notice.

** Warranty terms on non-proprietary products offered by D&D may carry different conditions and requirements. Refer to those individual products for more details.*



A proud history of innovation

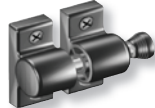


Dave Doyle

D&D Technologies begins life as D&D Aluminium Balustrading, a custom-made, aluminium and glass pool fencing and balcony railing company. Based in Sydney, Australia, it was co-founded by David Doyle and Neil Dunne. The "D&D" is derived from the surnames of the company's two founding partners.



MagnaLatch is invented! David Doyle sees a TV science program featuring "rare earth" magnets – powerful "new" magnets that never lose their magnetic force. From this he gets the inspiration to develop a magnetic gate latch that won't jam, stick or rust, and will always engage to close reliably.



The first magnetic gate latch manufactured. The first hand-made MagnaLatch® 'Side Pull' is constructed for use on all D&D Aluminium's gates. D&D Technologies is formed soon after to manufacture the gate latches in Sydney, Australia.

SILVER MEDAL



LELNI, GENEVA

D&D invents Polymer Safety Gate Hardware. MagnaLatch® 'Top Pull' Child Safety Gate Latch & TruClose® S1 Polymer Hinges are released. Both revolutionize child safety for swimming pools, childcare centers, homes and businesses. MagnaLatch® wins the Silver Medal at the Geneva International Exhibition of Inventions.



Australian Design Award



MagnaLatch® Series 1 wins the prestigious Australian Design Award from Standards Australia.



The original **TruClose® S1** gate hinge wins the Australia Design Award from Standards Australia.



MagnaLatch® Top Pull and TruClose® TCA1 accepted into select Bunnings Warehouse stores, with both soon to become **Bunnings Warehouse**. Initial packaging entailed two products porous wrapped to porous backing cards.



TruClose® Series 2 Regular, Heavy Duty and MultiAdjust Hinges are born. D&D Technologies (USA) Inc. established in Los Angeles, California. Export markets expand to numerous countries, marking the beginning of D&D Technologies as a global brand.

1985

1988

1989

1990

1991

1992

1995

1996



TruClose® Vizage™ receives a Good Design Mark from Good Design Australia. **MagnaLatch® LOCKABLE Side Pull Series 2** launched.



Introduction of the **SureClose®** range of heavy duty, hydraulic gate hinges and hinge-closers. **Stainless Steel Vizage™** Side Pull Gate Latch released to market.



D&D introduces **innovative, sustainable-design flexible pouches** for retail hardware lines, eliminating the need for costly and wasteful clamshell packs.



D&D releases the **TruClose® Series 3** safety gate hinge range. **LokkLatch® MAGNETIC** launched in another innovative 'first' to fencing market. Both product ranges include optional, metalized trim covers.



Introduction of the contemporary **MagnaLatch® S3** with revolutionary Locked/Unlocked indicator light. **SureClose® READYFIT** launched. Within six months on the market it wins Architectural Record's 2014 Product Award in the USA.



D&D releases the **MagnaLatch® ALERT Gate Latch-Alarm**, the world's first safety gate latch with built-in electronic alarms. MagnaLatch® ALERT awarded Good Design Award by Good Design Australia. **KwikFit™ Aluminium Hinge** range launched.



MASTER BUILDERS AUSTRALIA 2016 National Award Winner

D&D acquires **Shut-It® Gate Hardware**, a range of industrial, metal gate hardware. 'BadAss' and 'Hard Core' product lines introduced to the D&D range. **D&D Technologies wins the Australian National Export Award** from the Master Builders Association Australia.



D&D launches the new brand line **Stainless Steel**, a 100% marine-grade, powdercoated range of hinges and latches for the vinyl gate market. Regular and Heavy Duty models available.

2010

2011

2012

2013

2014

2015

2016

2017



The original **LokkLatch® Series 1** with an EAK (External push-button) and built-in locks is launched, marking the first significant advancement in gravity gate latches in centuries.



D&D releases the **MagnaLatch Top Pull 'Series 2'**, a marked improvement over Series 1 designs and the world's first horizontally and vertically adjustable safety gate latch.



MagnaLatch® Series 2 'Top Pull' wins **Kidsafe 'Product of the Year'**. MagnaLatch® endorsed by Royal Life Saving Society, Water Safety NZ and Laurie Lawrence's *Kids Alive* National Drowning Prevention Program.



Launch of the **LokkLatch PRO**, a true key-way lock, accessible from both sides with 6-pin security locks. **David Doyle** posthumously awarded SPASA's (Swimming Pool & Spa Association) coveted Ellis Champion Award.



LokkLatch® PRO Privacy and Security Gate Latch wins the prestigious Australia Design Mark from Standards Australia. **Founding partner** of the National Drowning Prevention Alliance.



Series 2 LokkLatch® DELUXE and **LokkLatch®** general-purpose gravity gate latch launched to market.



Patent application filed for a **LokkLatch®** with a self-locking mechanism. **LokkLatch® PRO Self-Locking Gate Latch** launched to market.



Introduction of the **TruClose® Vizege™ Hinge** for glass-to-round-post gates and fences, with revolutionary tension adjustment from both ends of hinge. The Vizege™ Hinge is the first to market with optional, decorative metalized trim hinge covers.

1997 1999 2000 2002 2004 2006 2007 2009



KwikFit Series 3 is launched. A general-purpose hinge ideal for light-to mid-weight gates around homes and gardens. Available in plain pivot or self-closing models. The new D&D website is launched www.ddtech.com with improved functionality and compatibility on all viewing devices.



D&D introduces the **SureClose® READYFIT 180°**, a hydraulic hinge-closer that self-closes heavy duty gates from up to a 180° opening angle. Release of the **LokkLatch® PLUS** Privacy Gate Latch with distinctive D&D green key, operates and locks from both sides of the gate.



Introduction of the **SureClose® CONCEALFIT**, an all-in-one concealed hydraulic hinge-closer for doors or gates. Easily installed within the door and frame for a clean, distinctive look and added security with burglary resistance. Meets ADA and DDA requirements.



The **TruClose® ROUND** model hinges are redesigned with added strength and enhanced styling to match the newer Series 3 style. **MagnaLatch® Side Pull** body is redesigned to set it apart from counterfeit products. D&D's R&D team begins work on pedestrian access control products of the electronic variety.



LokkLatch® DELUXE Series 3 Privacy & Security Gate Latch released to market. Revolutionary mounting bracket, connector rod and fitting jig makes installation faster and easier. In November 2022, **ASSA ABLOY-Opening Solutions Australia** (a division of the multinational public company in Sweden), acquires D&D Technologies.



TruClose® Multi-Adjust S3 is released to market and wins an Australian **Good Design Award**. The highly adjustable hinge is built for heavy, vinyl and composite gates with large gate gaps. D&D Technologies develops a new, range of **100% recyclable retail bags** to integrate with the sustainable, APCO packaging guidelines for 2025.



LokkLatch® S3 Privacy Gate Latch released to market. Contemporary design with revolutionary mounting bracket, connector rod and, fitting jig for faster and easier installation. **MagnaLatch® PanicBar & ACCESS** are showcased at FenceTech '24. Innovative permanent magnets eliminate all mechanical latching resistance. **Vizege Lockable Stainless Steel Side Pull S3** is developed to add function and beauty to contemporary glass pool gates.

2018 2019 2020 2021 2022 2023 2024



The world's most trusted gate hardware



WHY A WELL-MAINTAINED GATE IS A SMART DECISION

1

In general, gate latches and hinges make up just 1% of the total cost of a perimeter fence...but they make the other 99% function effectively.

2

Gates are the only moving part of the fence system. Gates depend on high-quality gate hardware to function properly in all conditions and climates.

3

Fences and gates can shift due to ground settling, environmental factors and general use and abuse. Latches, locks and hinges should be readily adjustable to ensure that gates work reliably and safely at all times.

4

Properly functioning gates that self-close, self-latch and provide ongoing adjustability (alignment) give consumers peace-of-mind. Gates and gate hardware should provide reliability, security or safety at all times.



ADJUSTABILITY

Hardware that's easily installed and can be adjusted for vertical and horizontal alignment, or self-closing tension.



QUALITY

Industrial-strength engineering polymers and quality, stainless steel components offer rust-free reliability over a lifetime.



RELIABILITY

D&D gate hardware is designed to work in the harshest environments and conditions - freezing, heat, salt, sand...



WARRANTY

D&D's exceptional Lifetime Warranty (most products) is your guarantee of peace-of-mind during and after your hardware has been installed.



TESTING

All our hardware is rigorously tested to meet international Codes/Standards for ISO-9001:2015 Quality Assurance Management System.



SECURITY

D&D's award-winning innovations provide the quality and strength needed to keep children, homes and businesses safe and secure.

D&D Technologies' range of quality gate latches, locks, hinges and closers are designed to protect children and families by safeguarding swimming pools, homes, gardens and perimeter gates and fences.

Experience counts

D&D Technologies began life as a fencing company more than 35 years ago. Our multi-award-winning products are the choice of fencing professionals and DIYers worldwide.

We are proudly Made in Australia

All of D&D's polymer gate products are manufactured in Sydney, Australia. Production is subject to ISO-9001:2015 Quality Assurance Certification and auditing to ensure strict quality standards and product reliability are maintained across all products.

We offer a Lifetime Warranty

D&D confidently offers a Lifetime Warranty on all its D&D-manufactured gate hardware products. Some electronic components are limited to a 2-Year Warranty from our supplier/manufacturer.

Our products will not rust or stain

D&D invented the world's first polymer gate latches and hinges (and magnetic gate latches) constructed of engineering polymers and marine-grade stainless steel components. Our long-lasting polymer and stainless steel hardware will not rust, bind, sag or stain.

Your safety is our priority

We are constantly refining the designs of our premium gate hardware to improve child safety around swimming pools, childcare centers, schools, resorts, hotels, homes and businesses.

Innovation is our passion

We employ a dedicated team of Research and Development engineers and industrial designers to develop new and improved products year after year. The result is innovative, state-of-the-art gate hardware boasting numerous design awards and accolades from safety organizations.

12 **MAGNETIC LATCHES**
 MagnaLatch® ALERT*
 MagnaLatch® TOP PULL*
 MagnaLatch® VERTICAL PULL*
 MagnaLatch® SIDE PULL*
 MagnaLatch® VIZAGE®*

18 **LOCKABLE LATCHES**
 T-Latch™
 LokkLatch® REGULAR*
 LokkLatch® ROUND*
 LokkLatch® DELUXE*
 LokkLatch® PLUS*
 LokkLatch® MAGNETIC*

28 **SELF-CLOSING HINGES**
 DecoMold™
 TruClose® REGULAR
 TruClose® HEAVY DUTY
 TruClose® ROUND
 TruClose® MULTI-ADJUST
 TruClose® HD MULTI-ADJUST

40 **KWIKFIT ECONOMICAL HINGES**
 KwikFit™ ALUMINUM Hinges
 KwikFit™ POLYMER Hinges

44 **GATE ACCESSORIES**
 LokkBolt®*
 Q-Bolt™
 GateStop™
 GateHandle™

47 **HYDRAULIC HINGE/CLOSERS**
 SureClose® READYFIT*
 SureClose® FLUSH/CENTER MOUNT*
 SureClose® CONCEALFIT*
 SureClose® EASY*

59 **INDUSTRIAL HINGES**
 Shut-It® BadAss™ Hinges

72 **GATE WHEELS**
 Shut-It® HardCore™ Wheels/Accessories

81 **WOOD GATE HARDWARE**
 Wood Hardware Latches
 Wood Hardware Accessories
 Wood Hardware Hinges

86 **STAINLESS STEEL HARDWARE**
 D&D Stainless Steel Latches
 D&D Stainless Steel Hinges

** Indicates product affected by Californian Govt "Prop 65" initiative, whereby products contain possible harmful substances listed under Prop 65 guidelines. Substances used in D&D's products are not airborne, unbound particles of a respirable size, as Prop 65 outlines.*



POOL AND CHILD SAFETY GATES

Safety gates around pools, homes, childcare centers, schools and wherever safety is critical, need hardware you can trust. D&D invented the MagnaLatch® over 30 years ago, and with millions installed worldwide, they continue to set the standard in compliant, child safety gates.

- MagnaLatch® ALERT Top Pull** – Latch with electronic alarms
- MagnaLatch® Top Pull** – Reliable, magnetic latching
- MagnaLatch® Side Pull Lockable** – Small, magnetic latch
- TruClose® Regular** – Self-closing hinges for regular gates
- TruClose® Heavy Duty** – Self-closing hinges for heavier gates
- SureClose® SF models** – Hydraulic hinge-closers



FRONT ENTRANCE OR GARDEN GATES

Usually constructed of metal, wood, vinyl or Colorbond®, residential entrance gates are often high traffic, so need to be reliable and secure, with smooth and even closure. D&D gate latches and hinges are designed to last – no rusting, sagging, binding or staining. Easy to install, and adjustable to allow for fence or ground movement.

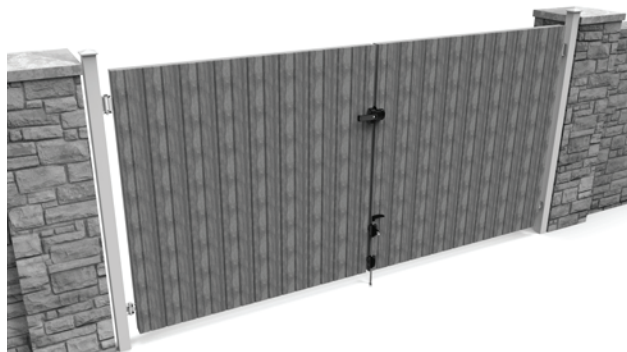
- MagnaLatch® Side Pull** – Lockable or non-lockable latches
- LokkLatch®** – Versatile range of lockable gate latches
- T-Latch** – Toggle-style gravity latch; padlockable
- TruClose®** – Self-closing hinges for heavy or high traffic gates
- KwikFit™** – Aluminum and Polymer self-closing hinges



PRIVACY AND SECURITY GATES

Privacy gates for residential or commercial applications are designed to protect loved ones, pets and property. D&D's range of gate latches, locks and self-closing hinges are guaranteed to offer reliability and added protection for perimeter and side gates.

- MagnaLatch® ALERT Vertical Pull** – Latch with electronic alarms
- MagnaLatch® Vertical Pull** – Reliable, magnetic latching
- LokkLatch®** – Entire range of versatile lockable latches
- SureClose®** – Hydraulic hinge-closers
- TruClose® Regular** – Self-closing hinges for regular gates
- TruClose® Heavy Duty** – Self-closing hinges for heavier gates
- KwikFit™** – Aluminum and Polymer self-closing hinges



DOUBLE DRIVEWAY GATES

Swinging, double driveway gates give a more traditional look by opening from the center. The gates can be automated with less swing and weight than single driveway gates, but require hinges on both sides, plus a latch and optional drop-bolts. D&D's range of double driveway gate hardware is designed for this type of application.

- MagnaLatch® S3 Vertical Pull** – Magnetic, reliable closure
- LokkLatch®** – Range of lockable latches
- TruClose®** – Self-closing hinges for heavy or high traffic gates
- SureClose®** – Hydraulic hinge-closers
- Shut-It® BadAss™** – Heavy duty, weld or bolt-on hinges
- LokkBolt® & Q-Bolt™** – Drop-bolts for Metal, wood and Vinyl

D&D gate hardware for every application



ROUND-POST CHAINLINK GATES

Chainwire gates, also known as chainlink and chainmesh gates, are used for a variety of domestic, commercial or industrial applications, including tennis court fencing, factory/building enclosures, ball-game practice nets, sporting enclosures and temporary fencing.

LokkLatch® ROUND – Lockable Gate Latch for round posts
MagnaLatch® TP or VP with round-post adaptor kit
TruClose® ROUND – Heavy Duty hinges for round posts
Mini MultiADJUST™ – Round post hinge for regular gates
Shut-It® BadAss™ – Weld-on or bolt-on heavy duty hinges
GateStop™ – Reduces gate slam noise



HIGH SECURITY ACCESS GATES

High-security pedestrian gates are designed to provide self-closing and lockable access to secure people and property. Often used for commercial entry gates at schools, apartments, data centers, strata buildings, government depots, police stations, industrial sites and other high security applications.

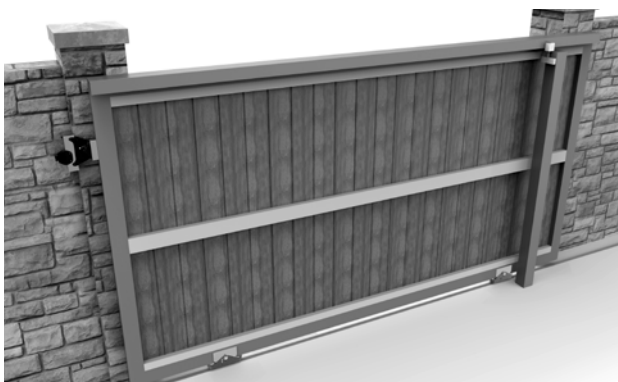
LokkLatch® DELUXE – Key lockable, premium gate latch
TruClose® Heavy Duty – Self-closing hinges for heavy gates
SureClose® READYFIT – External mount hydraulic hinge-closers
SureClose® FLUSH/CENTER MOUNT – Hydraulic hinge-closers
Shut-It® BadAss™ – Weld-on or bolt-on heavy duty hinges



GLASS GATES WITH ROUND, METAL POSTS

Semi-frameless glass is typically 8mm or 10mm ($\frac{5}{16}$ " or $\frac{3}{8}$ "") thick supported by steel or aluminum round posts. The glass is then mounted into the post with rubber seals to prevent the glass from moving. D&D has developed a range of gate hardware to complement this style of modern pool fence or balustrading system.

MagnaLatch® Side Pull – Lockable or non-lockable latches
Glass Hardware Kit MLSPS2GHK - Latch with gate-stop
MagnaLatch® Vizage® – Stainless steel magnetic latch (bracket required)
TruClose® Vizage – Self-closing hinges with decorative trim



ROLLING ACCESS-CONTROL GATES

Sliding gates are either on a track (wheels slide on metal track) or are of a cantilevered sliding gate system where the gate is structurally supported by rollers or wheels.

LokkLatch® DELUXE – Key lockable, premium gate latch
Shut-It® HardCore™ – Gate wheels and accessories

Choosing your latch or lock



MagnaLatch® ALERT
Top Pull & Vertical Pull

MagnaLatch®
Top Pull & Vertical Pull

MagnaLatch® Side Pull
Lockable

MagnaLatch® Side Pull
Non-lockable

MagnaLatch® Vizage™
Stainless Steel Side Pull PSS/BSS

GATE LATCH/LOCK PRODUCT	LOCK TYPE/ REKEYABLE	IDEAL GATE GAP	GAP VARIANCE	VERTICAL ADJUSTMENT	LOCKS OR OPERATES FROM BOTH SIDES OF THE GATE
MagnaLatch® S3 Top Pull & Top Pull ALERT. Magnetic child safety gate latch. ALERT model with visual and audible alarms. Key Lockable.	6-Pin/Yes	¾" 19mm	½"-1½" 13-38mm	1½" 38mm	No
MagnaLatch® S3 Vertical Pull & Vertical Pull ALERT. Magnetic front gate, side gate and pet safety gate latch. ALERT model with visual and audible alarms. Key Lockable.	6-Pin/Yes	¾" 19mm	½"-1½" 13-38mm	1½" 38mm	No
MagnaLatch® Side Pull. General-purpose gate latch for gates around homes and gardens. Available in lockable and unlockable models.	Wafer/No	⅜" 10mm	⅝"- 1⅛" 7-17mm	⅜" 10mm	No
MagnaLatch® Vizage™ Side Pull. Stylish, stainless steel, magnetic gate latch. Ideal for glass gates but requires mounting brackets.	N/A	Max. ⅜" 10mm	⅝"- 1⅛" 7-17mm	⅜" 10mm	No
T-Latch®. Toggle-style gravity gate latch with "floating" latch bolt. Automatically compensates for gate sag. Padlockable.	Use Padlock	¾" 19mm	⅜"-1¾" 10-44mm	½" 13mm	No
LokkLatch® REGULAR. Lockable gravity latch for general-purpose gates around homes and gardens. Wafer keyed.	Wafer/No	¾" 19mm	⅜"-1½" (10-38mm)	½" 13mm	Yes, with External Access Button (EAB)
LokkLatch® ROUND. Lockable gate latch for round-posted gates and fences. Includes adaptors for various diameters.	Wafer/No	1½" 38mm	1¼"-2¼" 32-57mm	½" 13mm	Yes, with External Access Button (EAB)
LokkLatch® PLUS. Privacy gate latch that locks and operates from both sides of the gate. Semi-security lock cylinder. Smaller footprint than premium LokkLatch® DELUXE.	Wafer/No	¾" 19mm	⅜"-1⅛" 10-27mm	½" 13mm	Yes
LokkLatch® DELUXE. Short bolt with Lockwood™ key. Locks and operates from both sides of the gate. Lock cylinder can be rekeyed to match existing doors and accesses.	6-Pin/Yes	¾" 19mm	½"-1⅜" 12-30mm	½" 13mm	Yes
LokkLatch® DELUXE. Long bolt with Kwikset™ key. Locks and operates from both sides of the gate. Lock cylinder can be rekeyed to match existing doors and accesses.	6-Pin/Yes	1" 25mm	½"-1½" 12-38mm	½" 13mm	Yes
LokkLatch® MAGNETIC. Magnetic gate lock with unique push/pull handles. Locks and operates from both sides of gate.	6-Pin/Yes	¾" 19mm	⅜"-1¼" 10-32mm	½" 13mm	Yes

Check your latch applications and features



T-Latch™



LokkLatch® REGULAR



LokkLatch® PLUS



LokkLatch® DELUXE³



LokkLatch® MAGNETIC

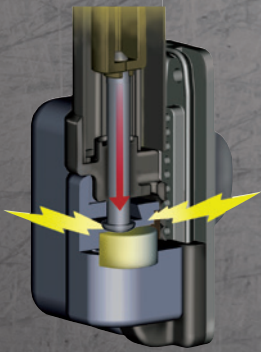
METAL	WOOD	VINYL	CHAINLINK	POOL SAFETY GATES	PEDESTRIAN GATES	PRIVACY GATES	DOUBLE DRIVE	AVAILABLE IN WHITE †
●	●	●	●*	●**	●			●†
●	●	●	●*	●**	●			●†
●	●	●		●**	●			●†
●	●			●**	●			
●	●	●†			●			
●	●	●			●	●***		●†
			●		●	●***		
●	●	●			●	●	●	●†
●	●				●	●	●	
●	●	●			●	●	●	●†
●		●			●	●	●	

*Using Round Post Adaptor Kit. **Check local pool barrier guidelines for proper installation methods. *** With EAK † White not available in AU-NZ

World's most trusted child safety gate latches



Side Pull



Sealed magnets

Powerful magnet is fully sealed from the elements to ensure long-lasting performance



Vertical Pull



Top Pull

Child-resistant knob

Series 3 knob shape is more ergonomic, but also more child resistant than ever

Visible Lock Indicator

"Red dot" indicator shows, at a glance, whether the latch is locked or unlocked

Rekeyable security lock

6-pin lock cylinder can be rekeyed (by a locksmith) to match existing doors etc.

Built-in post cap spacing

No need for separate post-cap spacers

T-track innovation

Unique and solid rear-mounting track provides superior fixing strength and easy vertical adjustment

Product traceability

Superior, quality manufacturing and responsible tracking through registered product numbering

0401600870 1600879:46

Improved drainage

Sloping feature channels water away from latch and striker body

Alignment indicators

Help identify when vertical or horizontal adjustment is required

Safety "stop"

The original safety stop prevents children from pushing the gate down to unlatch



MAGNALatch® SIDE PULL

The original, versatile magnetic latch

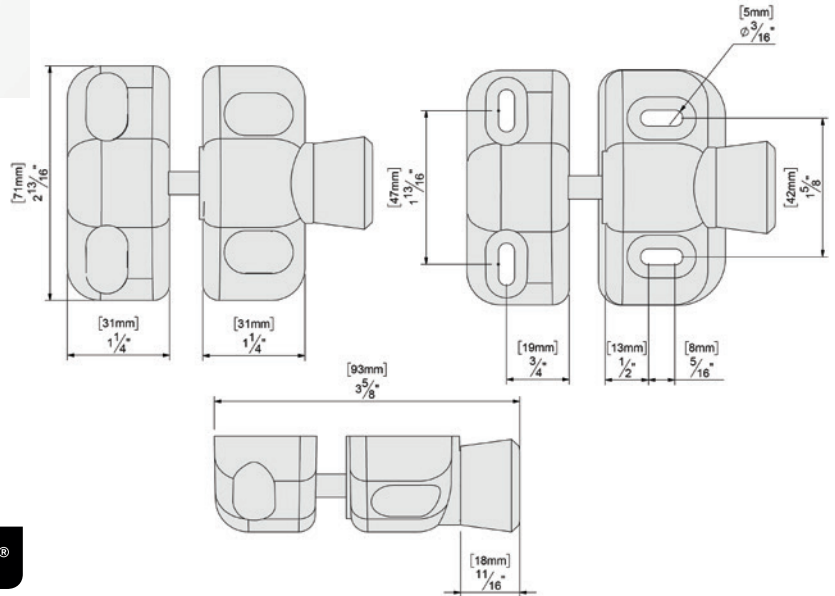
- Small & unobtrusive - easy to install
- Lockable and non-lockable models
- Model for round-post-to-glass gates
- Vertically & horizontally adjustable
- New, snap-fit dress caps - no visible fasteners
- Will not rust or corrode



CODE	MODEL - FEATURE	IDEAL GAP	GAP VARIANCE
MLSPS2L	Key Lockable Side Pull	3/8" (10mm)	5/16"–11/16" (7–10mm)
MLSPS2	Side Pull	3/8" (10mm)	5/16"–11/16" (7–10mm)



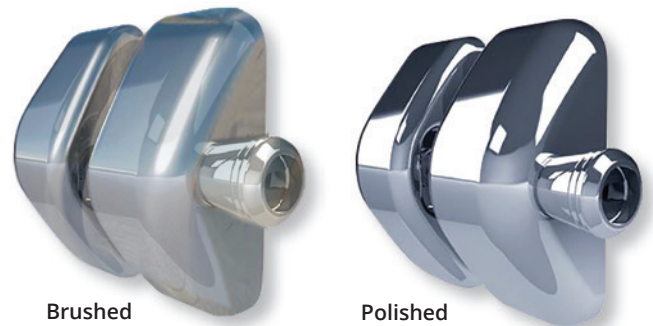
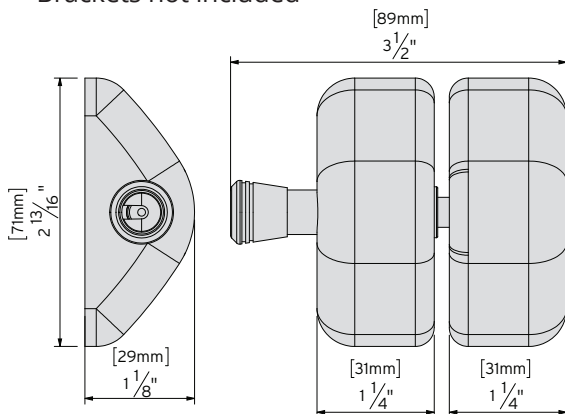
Side Pull: non-lockable



MAGNALatch® VIZAGE®

Stainless steel Side Pull latch

- Polished or Brushed surface finishes
- 316 marine-grade stainless steel
- Corrosion-resistant latch bolt
- No visible fasteners (blind fixing from rear)
- Brackets not included



Brushed

Polished

Vizage™ stainless steel gates latches are not lockable

CODE	FINISH	FIXED GATE GAP
MLSPS2VPSS	Polished Stainless Steel	1 3/32" (10mm)
MLSPS2VBSS	Brushed Stainless Steel	1 3/32" (10mm)



Safety Gate Latch with ELECTRONIC ALARMS

ALERT Top Pull



ALERT Vertical Pull



Replacements/Spares

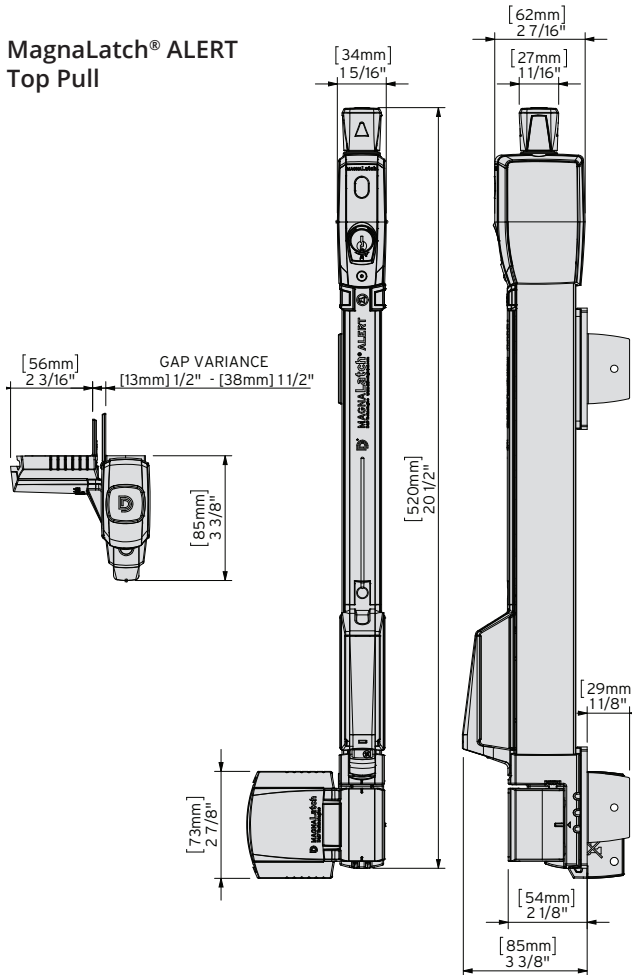


CODE	COLOR	MODEL FEATURE	IDEAL GAP	GAP VARIANCE
ML3ATP	Black	Top Pull 6-pin lock. Keyed alike + alarm	3/4" (19mm)	1/2"-1 1/2" (13-38mm)
ML3AVP	Black	Vertical Pull 6-pin lock. Keyed alike + alarm	3/4" (19mm)	1/2"-1 1/2" (13-38mm)
ML3SPACER	Black	Gate Gap Spacer	2" (50mm)	-

CODE	MODEL FEATURE
ML3ASB	Replacement 3.6-volt AA Battery
ML3SKLA	Replacement Lockwood® Key (AU-NZ)
ML3SKKA	Replacement KwikSet® Key (US)

MagnaLatch® comes standard with a gate gap variance of 1/2"-1 1/2" (13-38mm). For larger gaps of up to 2" (50mm), an optional spacer is available (see left). Install the spacer behind the Striker mounting plate to ensure proper latch installation and operation. 2" Gate Gap Spacer fits MagnaLatch® Series 2, 3 and ALERT models.

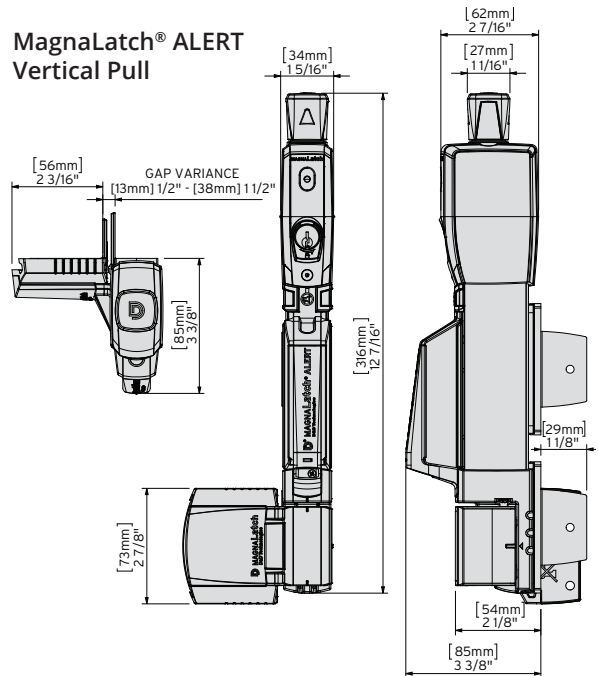
MagnaLatch® ALERT Top Pull



Gate gap spacer



MagnaLatch® ALERT Vertical Pull



MagnaLatch® ALERT

LIFETIME
WARRANTY
2 YEAR WARRANTY ON ALARM UNIT

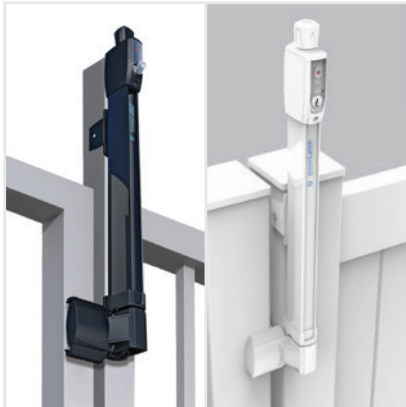


The ultimate gate protection

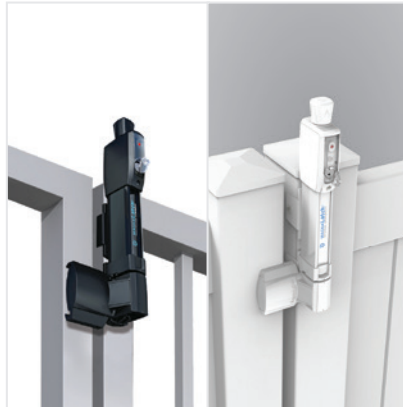
- World's first, safety gate latch with built-in electronic alarms
- Visual and audible alarms (flashing LEDs + sound alert)
- No wiring or electricians required (easy installation)
- Single alert beep each time gate is entered/exited
- Alarms notify if gate is open or not securely latched
- Full alarm mode only if gate left open 15+ seconds
- Optional: Touch-sensor disarm feature
- Long-life lithium battery included
- IP55 rating – tested to withstand dust and water in mechanism



The Original Magnetic Child Safety gate latch



ML3TP/ML3TPKAWT S3 Top Pull



ML3VP/ML3VPKAWT S3 Vertical Pull

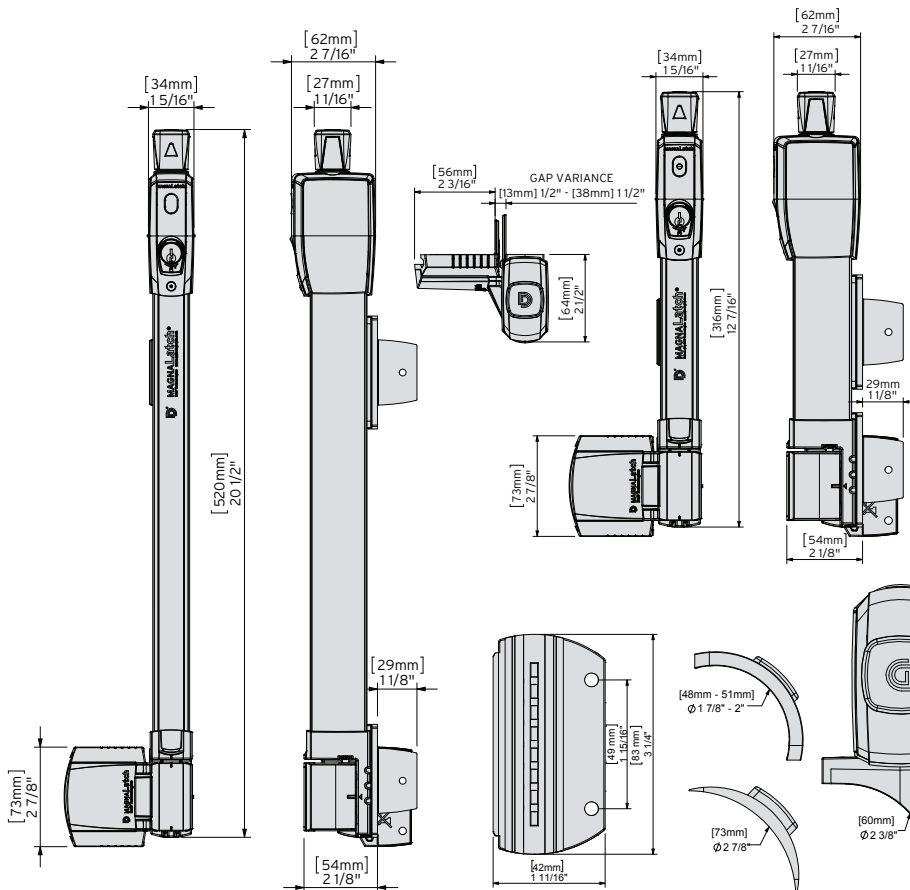


ML3RPK Round-Post Adaptor Kit

CODE	COLOR	MODEL FEATURE	IDEAL GAP	GAP VARIANCE
ML3TP	Black	Top Pull: 6-pin lock, keyed alike	¾" (19mm)	½"-1½" (13-38mm)
ML3TPKAWT	White	Top Pull: 6-pin lock, keyed alike	¾" (19mm)	½"-1½" (13-38mm)
ML3VP	Black	Vertical Pull: 6-pin lock, keyed alike	¾" (19mm)	½"-1½" (13-38mm)
ML3VPKAWT	White	Vertical Pull: 6-pin lock, keyed alike	¾" (19mm)	½"-1½" (13-38mm)
ML3RPK	Black	ML3 Round-Post Adaptor Kit	1½" (38mm)	1¼"-2¼" (32-57mm)
ML3SPACER	Black	Gate Gap Spacer	2" (50mm)	-

MagnaLatch® S3 Top Pull

MagnaLatch® S3 Vertical Pull



CODE	MODEL FEATURE
ML3SKLA	Replacement Lockwood® Key (AU-NZ)
ML3SKKA	Replacement KwikSet® Key (US)

MagnaLatch® comes standard with a gate gap variance of ½"-1½" (13-38mm). For larger gaps of up to 2" (50mm), an optional spacer is available (see left). Install the spacer behind the Striker mounting plate to ensure proper latch installation and operation. 2" (50mm) Gate Gap Spacer fits MagnaLatch® Series 2, 3 & ALERT models.

MagnaLatch® S3 Round-Post Adaptor
An optional kit for mounting all MagnaLatch 'Top Pull' or 'Vertical Pull' models to gates and fences with round posts.

Industry leading safety features

- The world's most trusted safety gate latch
- Ideal for residential or commercial safety gates
- Improved, stylish "Series 3" design
- Industry leading magnetic latching technology
- "Red dot" indicator shows Locked/Unlocked status
- 6-pin lock for higher security (rekeyable, to match doors)
- Vertically & horizontally adjustable
- Alignment marks indicate when adjustment is required



* D&D's White Polymer range may discolour over time. Aesthetic changes/discoloration etc. are not covered under D&D's **PRODUCT WARRANTY**. Visit our white hardware cleaning tips [HERE](#).



World's first key lockable, polymer gravity latch



Molded latch body

Strong and rust-free.
Constructed of UV-stabilized,
industrial-strength polymer.

Easy installation

Requires only one drilled
hole through post. Fast
and accurate front and
side installation, with
fitting jig provided.

Stainless steel components

316 marine-grade
stainless steel
components will totally
resist rust and stains.

6-pin rekeyable lock

Can be rekeyed (by a locksmith)
to match existing doors and
other accesses.

External Access Push-Button

The LokkLatch®
range can be
opened from either
side of the gate
using an External
Access Button (EAB)

Vertical adjustment

Latch provides quick and
simple vertical adjustment to
allow for gate sag or ground
movement over time.



LOKKLATCH REGULAR

Economy Residential



LOKKLATCH PLUS

Economy Plus Residential



LOKKLATCH DELUXE

Premium Residential/Commercial



LOKKLATCH MAGNETIC

Premium Residential/Commercial



Padlockable Gravity Gate Latch

- Toggle-action design compensates for gate sag
- Ideal for gates prone to ground movement
- Fits to all square posts & gate frames
- Padlockable, with padlock storage feature
- Vertically and horizontally adjustable
- Industrial-strength polymer construction
- Stainless steel toggle/latch bolt

Padlock security. Padlock storage feature.

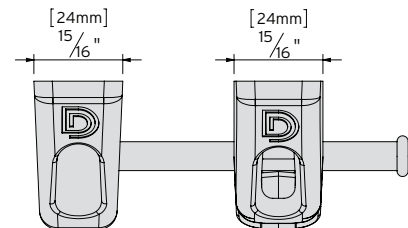
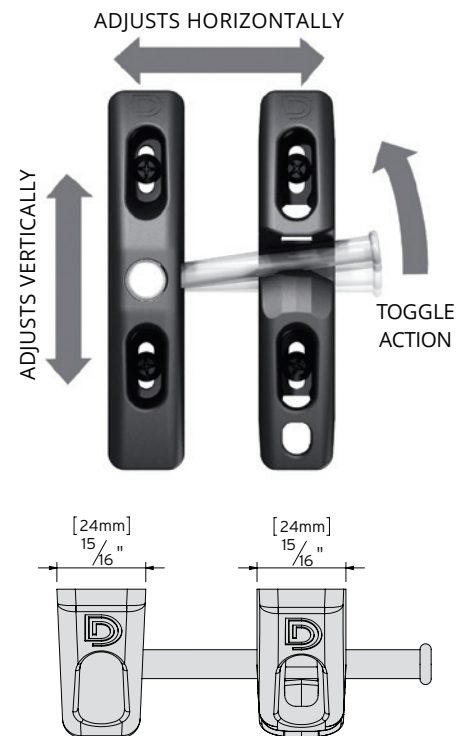
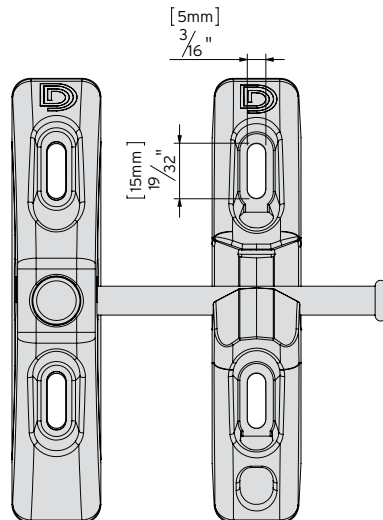
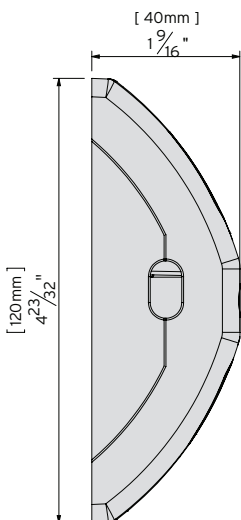
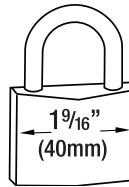


Padlock not included.

CODE	COLOR	FEATURE	GATE MATERIAL	IDEAL GAP	GAP VARIANCE
TL01	Black	Padlockable latch	Metal, Wood, Vinyl	1" (25mm)	3/8"-1 3/4" (10-44mm)



PADLOCK NOT INCLUDED
 Recommended padlock:
 Fits most standard shackle
 1 9/16" (40mm) padlocks



**NEW
PRODUCT**

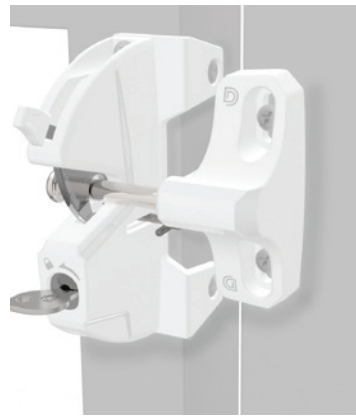


Latch Only (LL3A)

D® LOKKLatch®

General-Purpose, Lockable Latch S3

- Key lockable - no need for padlock
- Optional External Access Push-Button
- Fits fence posts 1" - 6" (25-150mm) deep
- Quick and easy to install and adjust
Vertically to 3/8" (10mm) Horizontally 1 1/2" (38mm)
- Industrial-strength polymer construction
- Stainless-steel latching trip plate and striker pin
- Won't rust or corrode
- Short and long striker models available
- Round-post model fits most chainlink gates



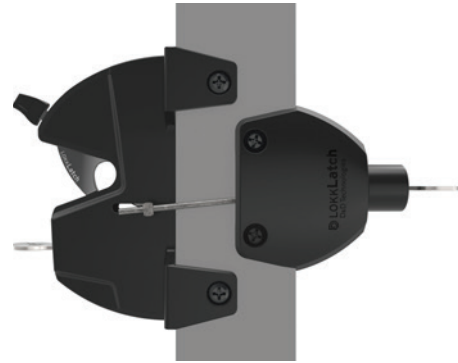
White Latch (LL3AW)



External Access Button (LL3B)



CODE	FEATURE	COLOR	GATE MATERIAL	IDEAL GAP	GAP VARIANCE
LL3A	LokkLatch® Series 3	Black	Metal, Wood, Vinyl	3/4" (19mm)	3/8" - 1 1/2" (10-38mm)
LL3AB	LokkLatch® Series 3 + External Access Button	Black	Metal, Wood, Vinyl	3/4" (19mm)	9/16" - 1 1/4" (14-32mm)
LL3AW*	White LokkLatch® Series 3	White	Metal, Wood, Vinyl	3/4" (19mm)	3/8" - 1 1/2" (10-38mm)
LL3ABW*	LokkLatch® Series 3 + External Access Button	White	Metal, Wood, Vinyl	3/4" (19mm)	9/16" - 1 1/4" (14-32mm)
LL3AL	Latch with Long Striker	Black	Metal, Wood, Vinyl	7/8" (22mm)	3/8" - 1 1/2" (10-38mm)
LL3ABL	Latch with Long Striker + External access Button	Black	Metal, Wood, Vinyl	7/8" (22mm)	9/16" - 1 1/2" (14-38mm)
LL3ALW*	White Latch Long Striker	White	Metal, Wood, Vinyl	7/8" (22mm)	3/8" - 1 1/2" (10-38mm)
LL3ABLW*	White Latch Long Striker + External Access Button	White	Metal, Wood, Vinyl	7/8" (22mm)	9/16" - 1 1/2" (14-38mm)
LL3B	External Access Button Accessory	Black	Metal, Wood, Vinyl	-	-
LL3BW	External Access Button Accessory	White	Metal, Wood, Vinyl	-	-
LL3ABRND	Latch+EAB for Round /Chainlink Post	Black	Chainlink	1 1/2" (38mm)	1 1/4" - 2 1/4" 32 - 57mm



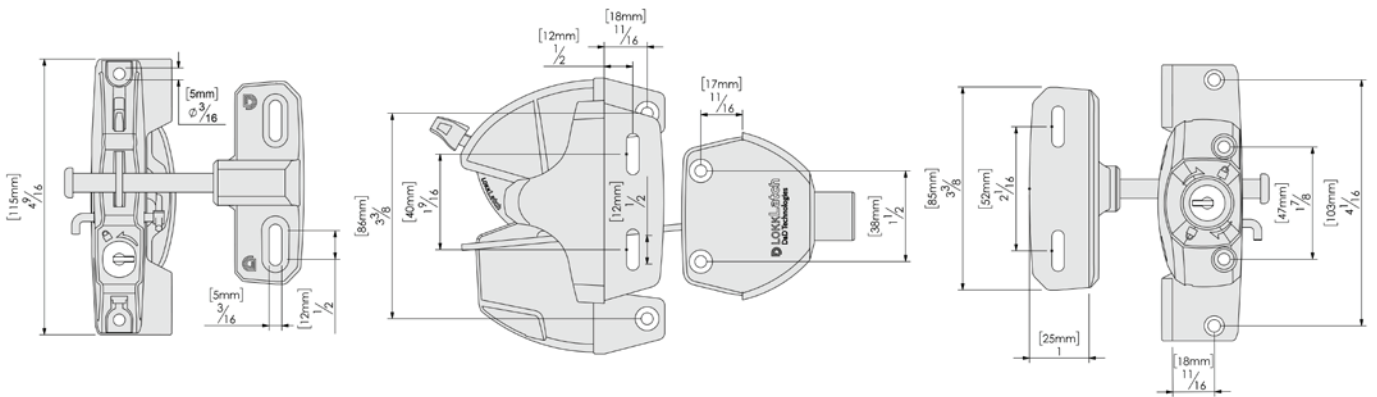
* D&D's White Polymer range may discolour over time. Aesthetic changes/discoloration etc. are not covered under D&D's **PRODUCT WARRANTY**. Visit our white hardware cleaning tips [HERE](#).

NEW PRODUCT
 Round post model for chainlink fences

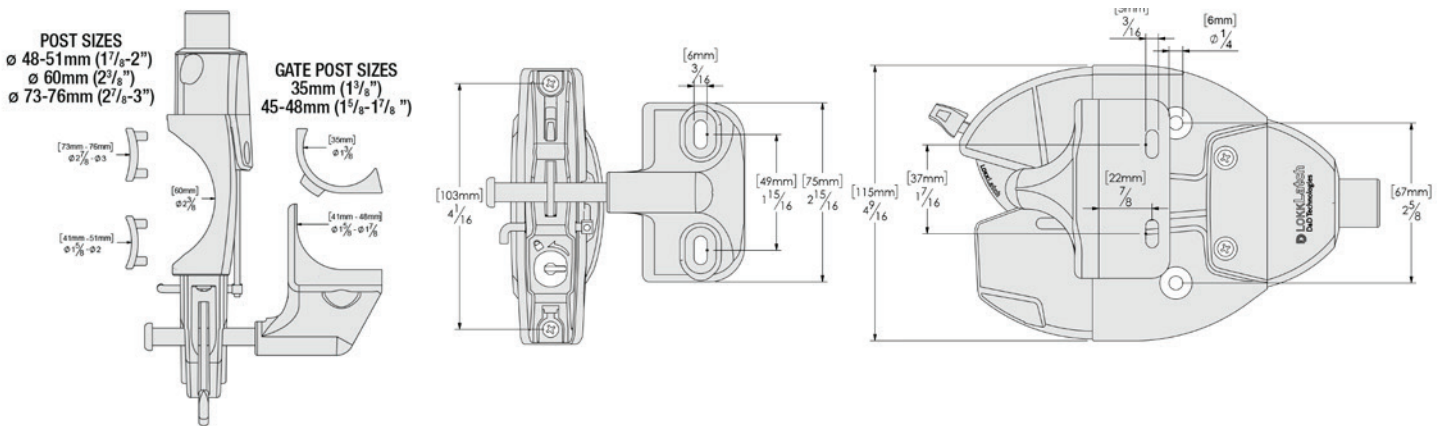


Round Post External Access Button

Regular model with EAB (LL3ABL)



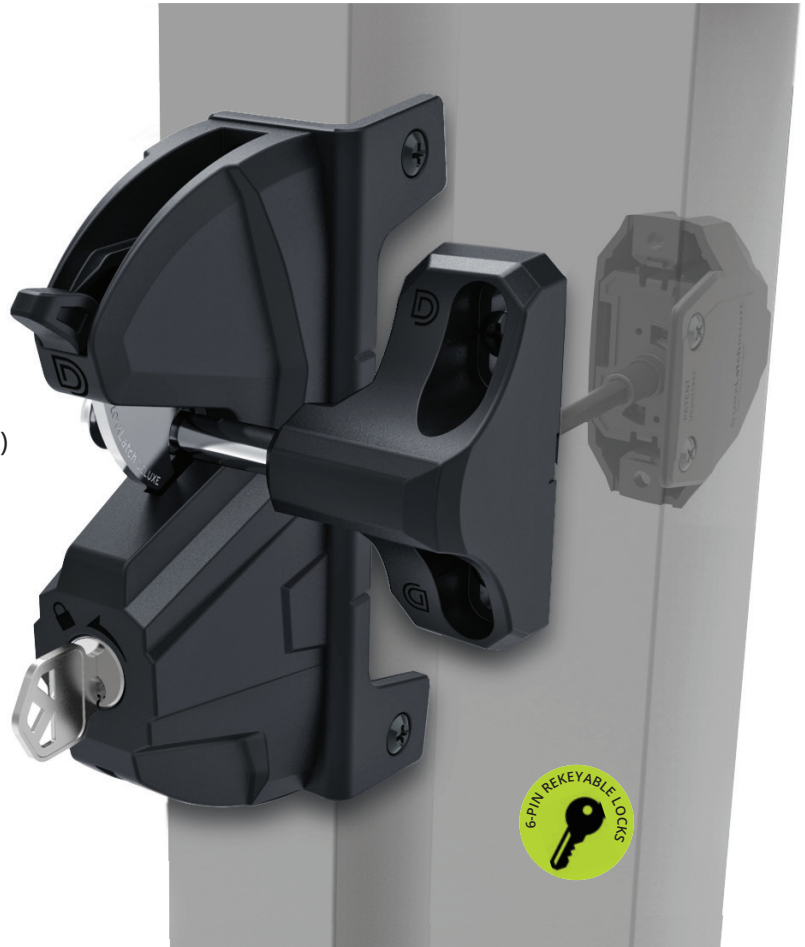
Round Post model (LL3ABRND)



**LOKKLatch®****DELUXE³**

PREMIUM Privacy & Security Gate Latch

- Operates and locks from both sides of gate
- New 'fitting jig' provides easier, faster installation
- New ball-joint Connecting Rod simplifies installation
- Two latch-bolt lengths (models) for different gates
- Requires only one drilled hole through post
- Keyed-alike or keyed different options
- Dual 6-pin locks can be rekeyed to match doors etc.
- Includes 5" & 6" (125 & 150mm) rods (spare if needed)
- Vertically & horizontally adjustable
- Industrial-strength polymer construction
- 316 marine-grade stainless components
- Fits fence posts 1½-6" (38-150mm) deep
- Minimum post width 1½" (38mm)



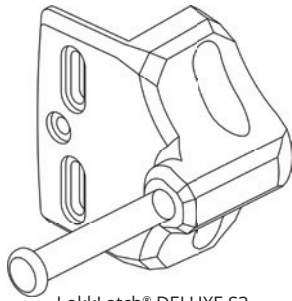
CODE	COLOR	KEYED	GATE MATERIAL	IDEAL GAP	GAP VARIANCE	STRIKER
LLD3KA	Black	Alike	Metal, Wood, Vinyl	1" (25mm)	½"-1½" (12-38mm)	Long bolt
LLD3KD	Black	Different	Metal, Wood, Vinyl	1" (25mm)	½"-1½" (12-38mm)	Long bolt
LLD3KAW	White	Alike	Metal, Wood, Vinyl	1" (25mm)	½"-1½" (12-38mm)	Long bolt
LLD3KDW	White	Different	Metal, Wood, Vinyl	1" (25mm)	½"-1½" (12-38mm)	Long bolt
LLD3LA	Black	Alike	Metal, Wood	¾" (19mm)	½" to 1¾" (12-30mm)	Short bolt
LLD3LD	Black	Different	Metal, Wood	¾" (19mm)	½" to 1¾" (12-30mm)	Short bolt



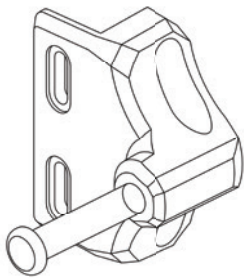
* D&D's White Polymer range may discolour over time. Aesthetic changes/discoloration etc. are not covered under D&D's **PRODUCT WARRANTY**. Visit our white hardware cleaning tips [HERE](#).



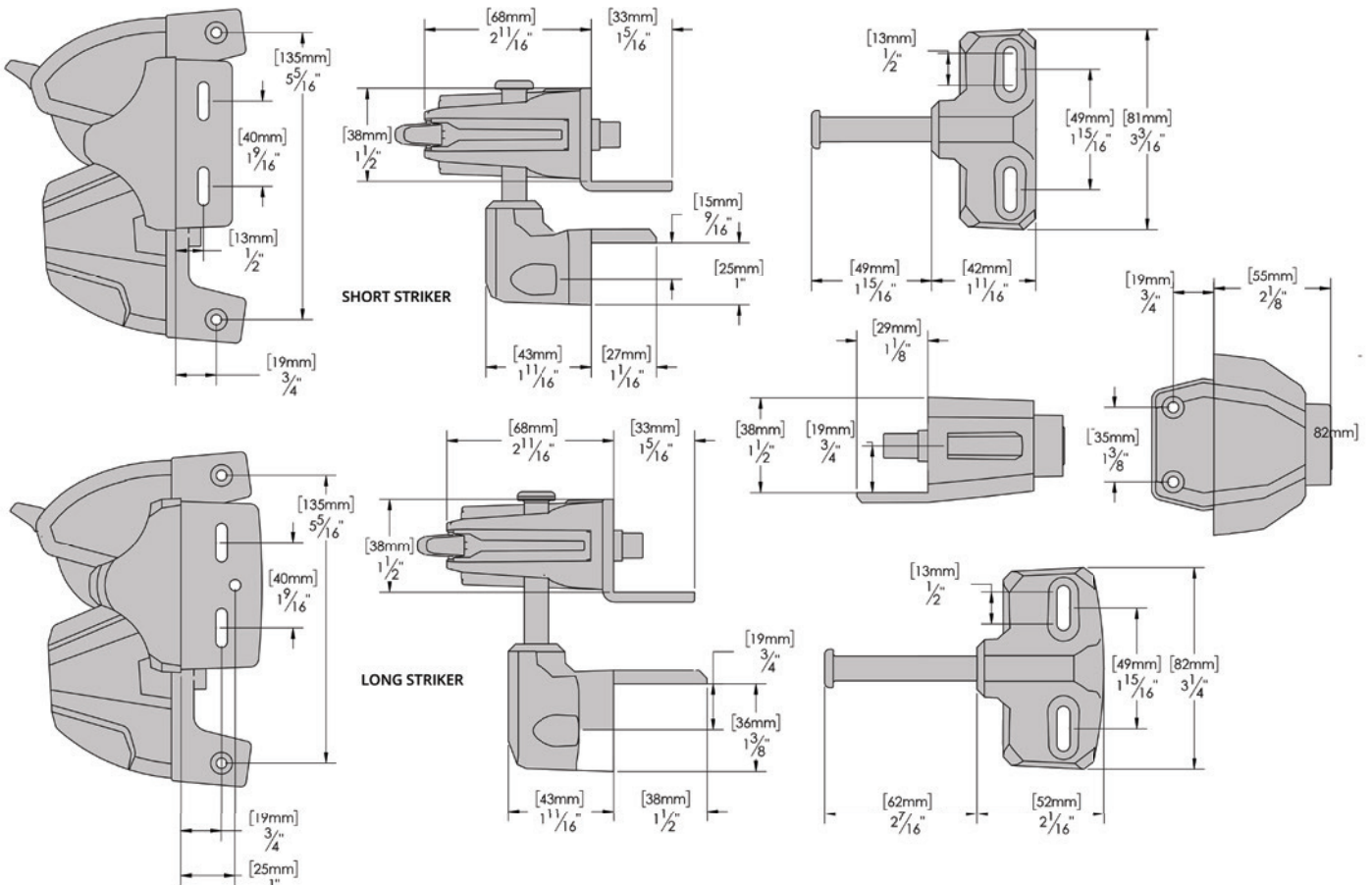
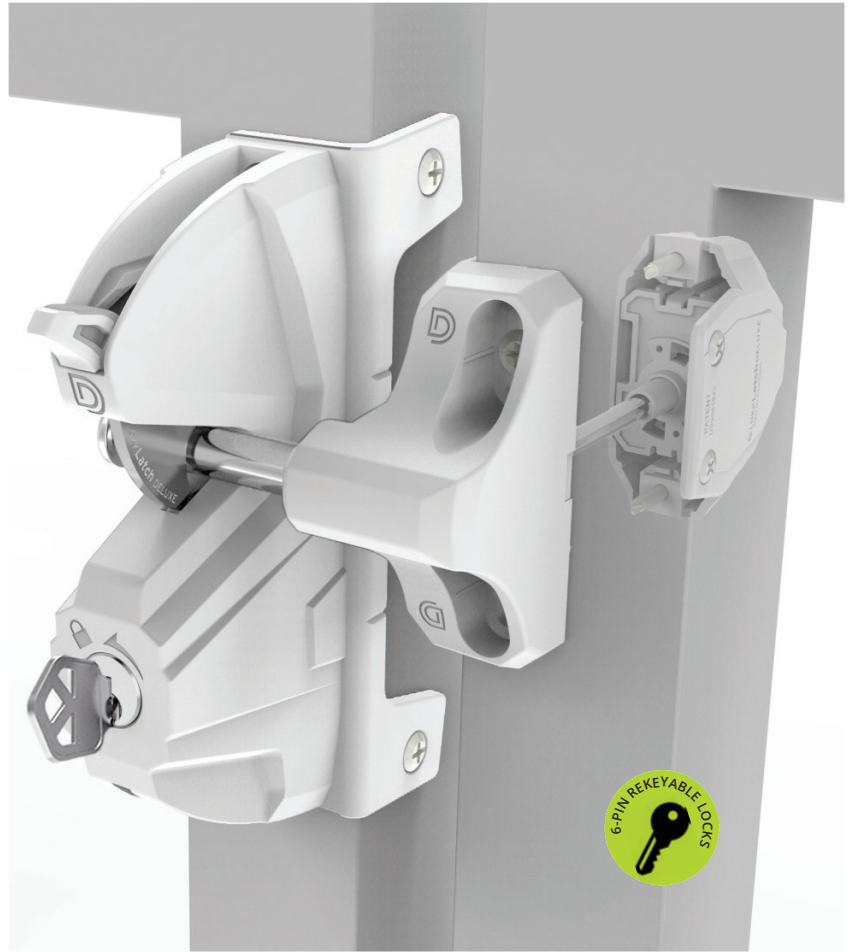
Also available in white finish



LOKKLATCH® DELUXE S3
Long latch bolt



LOKKLATCH® DELUXE S3
Short latch bolt



Privacy Gate Latch

- Operates from both sides with EAB
- Innovative alignment jig for easy installation
- Includes 5 & 6" (125 & 150mm) connector rods
- Wafer key with over 200 combinations
- Keyed alike and keyed different options
- Vertically and horizontally adjustable
- Will not rust, bind or stain
- Industrial-strength polymer construction
- 316 marine-grade stainless components
- Fits fence posts 1"– 6" (25–150mm) deep



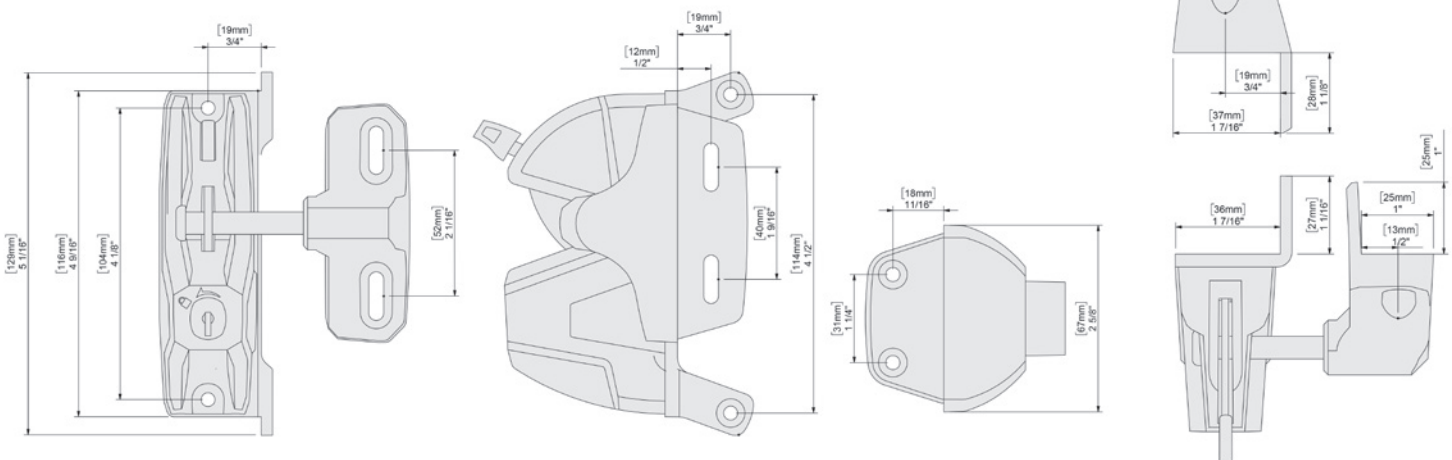
LL3PWAWT White Model



External Access Button (EAB)

CODE	COLOR	KEYED	GATE MATERIAL	IDEAL GAP	GAP VARIANCE
LL3PWD	Black	Different	Metal, Wood, Vinyl	3/4" (19mm)	3/8" - 1 3/8" (10-35mm)
LL3PWA	Black	Alike	Metal, Wood, Vinyl	3/4" (19mm)	3/8" - 1 3/8" (10-35mm)
LL3PWAWT	White	Alike	Metal, Wood, Vinyl	3/4" (19mm)	3/8" - 1 3/8" (10-35mm)

* D&D's White Polymer range may discolour over time. Aesthetic changes/discoloration etc. are not covered under D&D's **PRODUCT WARRANTY**. Visit our white hardware cleaning tips [HERE](#).

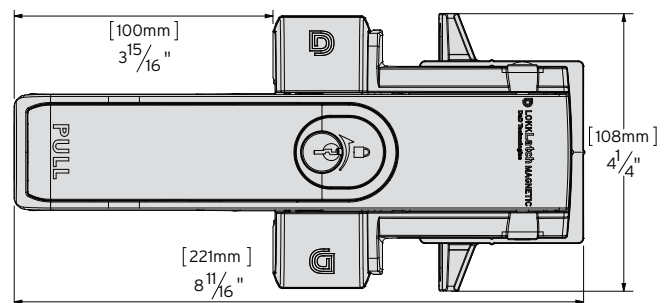
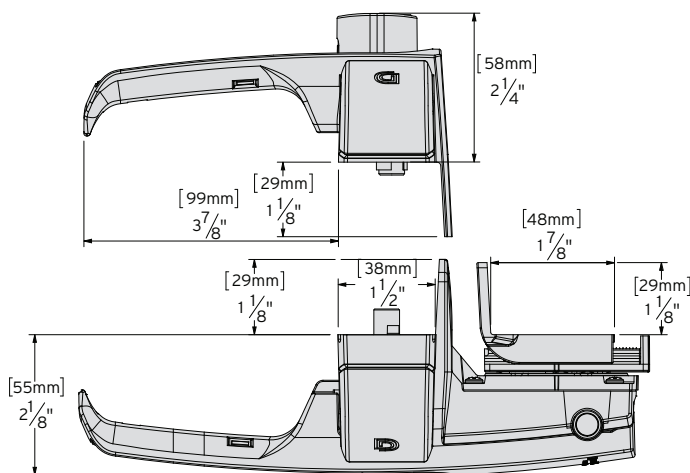


Lockable, dual-sided Push/Pull Handle

- Operates and locks from both sides of gate
- Ergonomic Push/Pull handled design
- Requires only one drilled hole through post
- Proven magnetic latching technology
- Black trim covers included
- No visible fasteners
- Keyed-alike or keyed different options
- Dual 6-pin rekeyable locks
- Vertically & horizontally adjustable
- Fits fence posts 1½"-6" (38-150mm) deep



CODE	COLOR	TRIM FINISH	IDEAL GAP	GAP VARIANCE
LLMBT	Black	Black	¾" (19mm)	⅜"-1¼" (10-32mm)



Convenient Gate Kits

ML3KFSK

MagnaLatch® Series 3 Gate Latch plus KwikFit™ Self-Closing (fixed tension) hinges to provide pedestrian access gate kit. For metal and wood gates up to 44 lb (20kg).



LLD3LDTCHD1A

LokkLatch® DELUXE Privacy & Security Gate Latch plus TruClose® Heavy Duty self-closing safety hinges. For metal or wood gates up to 154 lb (70kg).



Also available in White
LLD3KDTCHD1AL2WT

MTSTDKS3LA

MagnaLatch® Series 3 Child Safety Gate Latch plus TruClose® Regular self-closing safety gate hinges with Hinge Safety Cap. For metal gates up to 66 lb (30kg).



LLD3LDTCA1S3

LokkLatch® DELUXE Privacy & Security Gate Latch plus TruClose® Regular self-closing safety hinges. For metal gates up to 66 lb (30kg).



MTSTDKS3LLA

MagnaLatch® Series 3 Safety Gate Latch plus TruClose® Regular self-closing safety hinges with side-fixing legs and Hinge Safety Cap. For metal gates to 66 lb (30kg).



LL3PWDTCA1

LokkLatch® PLUS Medium-Security Gate Latch plus TruClose® Regular self-closing safety gate hinges. For metal gates up to 66 lb (30kg).



TL01KFP

T-Latch™ padlockable, toggle-style general-purpose gate latch plus KwikFit™ Plain Pivot Hinges. For metal or wood gates up to 55 lb (25kg).



LLAAKFPK

LokkLatch® REGULAR General-Purpose, Gate Latch plus KwikFit™ Plain Pivot Hinges. For metal or wood gates up to 55 lb (25kg).



The world's most trusted safety gate hinges



Patented tension adjustment

Quick and easy tension adjustment (closing force) using a large screwdriver at either end of hinge barrel.

Molded hinge body

No rust, binding, sagging or staining! Constructed from UV-stabilized, industrial-strength polymer.

Stainless steel spring

High-quality, stainless steel spring provides reliable closure and lasting performance.

Reinforcement ribs

Molded ribs provide superior torsional and lateral leaf strength.

Optional alignment legs

Models with and without quick-fit alignment legs for fast, convenient installation and added fixing strength.

Concealed Fasteners

Clip-on leaf trim covers hide the fasteners to provide a clean, contemporary finish and enhance gate style.



D&D's super-strong polymer hinges don't rust, sag or bind - even under the most rigorous conditions. The unique housing of the stainless-steel spring requires no lubrication or maintenance. Better yet, the hinges are easy for the homeowner to adjust themselves, eliminating the need for callbacks to the installer.



	PRODUCT CODE	TRIM COVER OPTIONS	GATE MATERIAL	IDEAL GATE GAP	GAP VARIANCE	MAXIMUM SELF-CLOSING WEIGHT*	ALIGNMENT LEGS
TRUCLOSE REGULAR RANGE	TCA1S3	Gloss Black, White	Metal	3/4" (19mm)	3/8"-7/8" (9-22mm)	66 lb 30kg	Optional
	TCA2S3	Gloss Black, Chrome, Brushed,	Metal to Wood	3/4" (19mm)	3/8"-7/8" (9-22mm)	66 lb 30kg	Optional
	TCA3S3	Gloss Black, Chrome, Brushed, White	Wood, Vinyl	3/4" (19mm)	3/8"-7/8" (9-22mm)	66 lb 30kg	Optional
	TCA4	NA	Wood	3/4" (19mm)	3/8"-7/8" (8-22mm)	55 lb 25kg	No
	TCAMA1/2	NA	Metal, Wood, Vinyl	1 3/8" (35mm)	7/8"-2" (22-50mm)	55 lb 25kg	Yes
	TCAMA2RND	NA	Chainlink	1 3/8" (35mm)	7/8"-2" (22-50mm)	55 lb 25kg	Yes
TRUCLOSE HEAVY DUTY RANGE	TCHD1AS3	Gloss Black, Chrome, Brushed, White	Metal	3/4" (19mm)	3/8"-1" (9-25mm)	155 lb 70kg	Optional
	TCHD1S3	Gloss Black, Chrome, Brushed	Metal, Wood, Vinyl	3/4" (19mm)	3/8"-1" (9-25mm)	155 lb 70kg	Optional
	TCHD2L1SS3	Gloss Black, Chrome, Brushed, White	Wood, Vinyl	3/4" (19mm)	3/8"-1" (9-25mm)	155 lb 70kg	Yes
	TCHD2L2S3	Gloss Black, Chrome, Brushed, White	Wood, Vinyl	Fixed at 1 3/16" (21mm)	Fixed at 1 3/16" (21mm)	155 lb 70kg	Yes
	TCHDMA1S3	Black, White	Metal, Wood, Vinyl	1" (25mm)	5/8"-1 11/16" (16-43mm)	155 lb 70kg	Yes
	TCHDRNDS3 1/2	NA	Chainlink	1" (25mm)	3/4"-1 3/8" (19-35mm)	132 lb 60kg	Yes

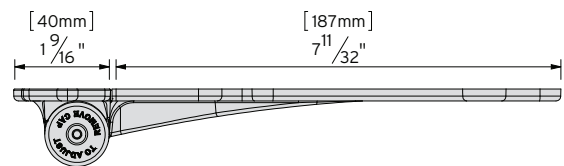
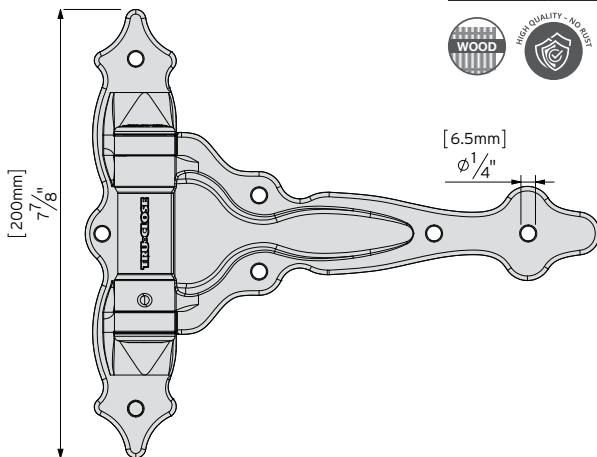
*Ratings are based upon two hinges on a maximum gate size of:
 Regular hinges: 5'H x 3'W (1500mmH x 900mmW) Heavy Duty hinges: 6'H x 4'W (1800mmH x 1200mmW)



Decorative, Self-Closing T-Hinge for Wood Gates

- Self-closes gates up to 55 lb (25kg)
- Won't rust, bind, sag or stain
- UV stabilized, industrial-strength polymer construction
- Stainless steel internal spring
- Molded center rib for added strength
- Fasteners included

CODE	GATE MATERIAL	IDEAL GATE GAP	GAP VARIANCE	COLOR
TCA4	Wood	3/4" (19mm)	1/4"-7/8" (6-22mm)	Black



Adjustable, Self-Closing Hinges for gates up to 66 lb (30kg)



TCA1S3 - METAL



TCA2S3 - METAL/WOOD/VINYL



TCA3S3 - WOOD/VINYL



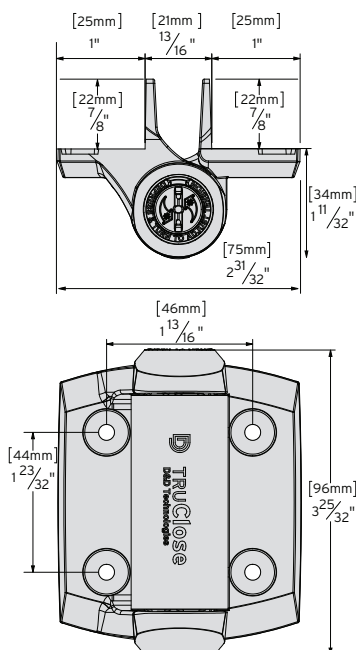
**TruClose[®]
Hinge Safety Cap**

Optional. Helps prevent toddlers from using bottom hinge as a climbing foothold.

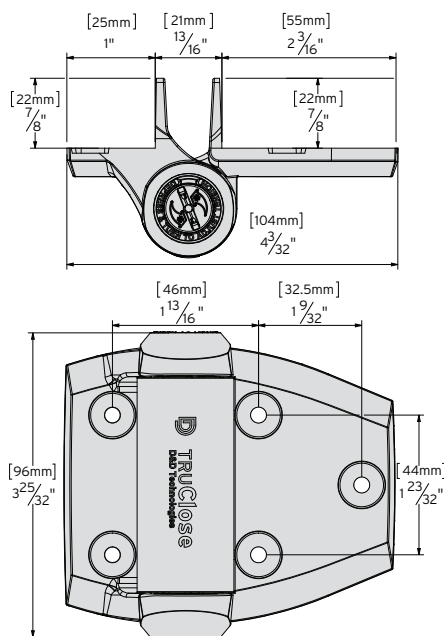
CODE: TCACAPS3

- Ideal for pool and child safety gate applications
- D&D-patented tension adjustment
- Won't rust, bind, sag or stain
- Adjust tension from either end (adjustment always facing up)
- UV-stabilized, industrial-strength polymer construction
- Self-lubricating durability; requires no maintenance
- Internal stainless steel closing spring
- Trim Cover options - Gloss Black, White, Brushed or Chrome
- Hinges sold as pairs; Hinge Safety Caps as single units

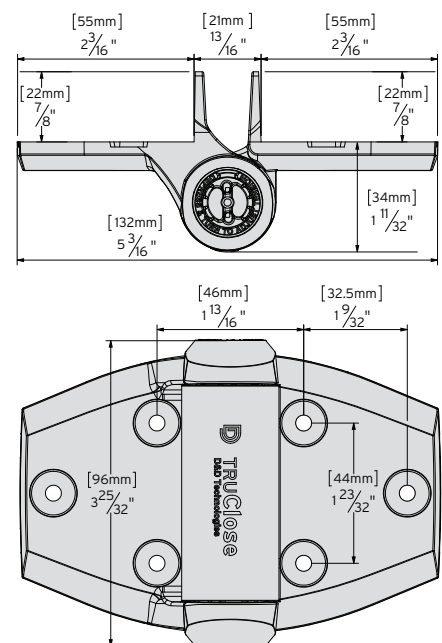
TCA1S3



TCA2S3



TCA3S3



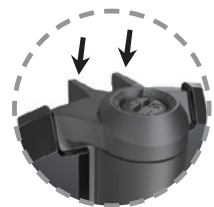


TCA1S3WT



TCA1L2S3BT

CODE	TRIM FINISH	GATE MATERIAL	SIDE LEGS	IDEAL GATE GAP	GAP VARIANCE
TCA1S3BT	Gloss Black	Metal	-	3/4" (19mm)	3/8" - 7/8" (9-22mm)
TCA1S3WT	White	Metal	-	3/4" (19mm)	3/8" - 7/8" (9-22mm)
TCA1L2S3BT	Gloss Black	Metal	2 Legs	Fixed at 1 3/16" (21mm)	-
TCA1L2S3WT	White	Metal	2 Legs	Fixed at 1 3/16" (21mm)	-
TCA2S3BT	Gloss Black	Metal/Wood	-	3/4" (19mm)	3/8" - 7/8" (9-22mm)
TCA2L2S3BT	Gloss Black	Metal/Wood	2 Legs	Fixed at 1 3/16" (21mm)	-
TCA3S3BT	Gloss Black	Vinyl/Wood	-	3/4" (19mm)	3/8" - 7/8" (9-22mm)
TCA3L2S3BT	Gloss Black	Vinyl/Wood	2 Legs	Fixed at 1 3/16" (21mm)	-
TCA3L2S3WT	White	Vinyl/Wood	2 Legs	Fixed at 1 3/16" (21mm)	-
TCACAPS3	Gloss Black	Safety Cap	-	-	-

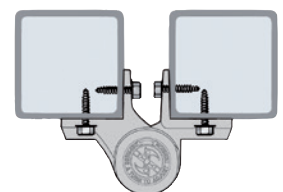


ALIGNMENT LEGS

("L2" models):
Quick-fit alignment legs for fast-align installation and added fixing strength. Two legs provide secure, double-face fixing.



* D&D's White Polymer range may discolour over time. Aesthetic changes/discoloration etc. are not covered under D&D's **PRODUCT WARRANTY**. Visit our white hardware cleaning tips [HERE](#).



Adjustable, Self-Closing Hinges for heavy/high-traffic gates up to 155 lb (70kg)



TCHD1A53 - METAL



TCHD1S3 - METAL/VINYL/WOOD



TCHD2L2S3 - VINYL/WOOD

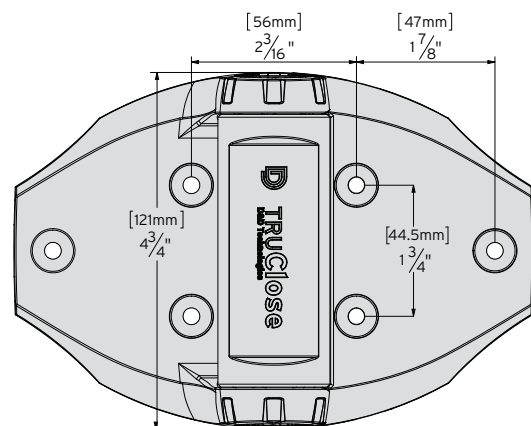
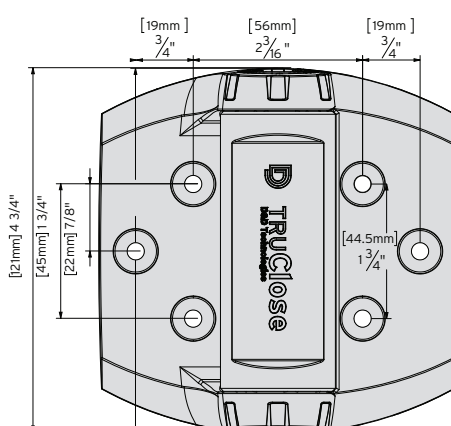
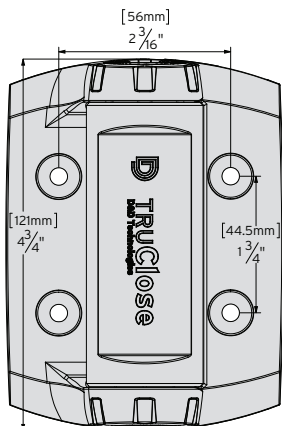
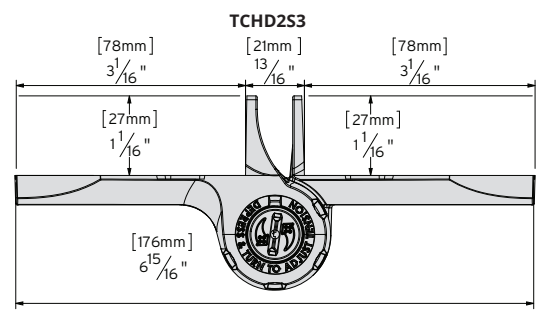
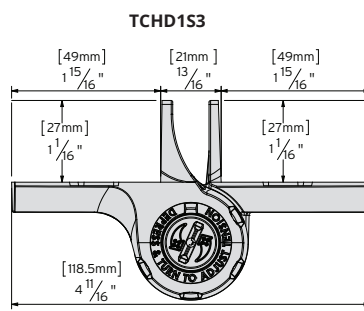
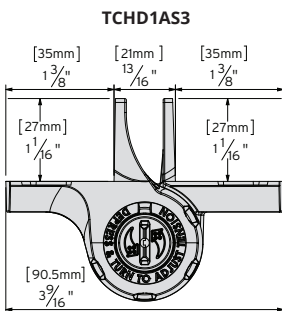


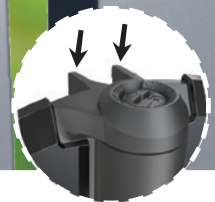
**TruClose[®]
Hinge Safety Cap**

Optional use. Helps prevent toddlers from using bottom hinge as a climbing foothold.

CODE: TCHDCAPS3

- Suitable for use on pool and child safety gate applications
- D&D-patented tension adjustment
- Won't rust, bind, sag or stain
- Adjust tension from either end (adjustment always facing up)
- UV-stabilized, industrial-strength polymer construction
- Self-lubricating durability; requires no maintenance
- Internal stainless steel closing spring
- Trim Cover options - Gloss Black, White, Brushed or Chrome
- Hinges sold as pairs, Hinge Safety Caps as single units

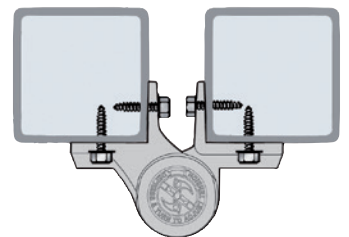




CODE	TRIM FINISH	GATE MATERIAL	SIDE LEGS	IDEAL GATE GAP	GAP VARIANCE
TCHD1AS3BT	Black	Metal	-	3/4" (19mm)	3/8"-1" (9-25mm)
TCHD1AS3WT	White	Metal	-	3/4" (19mm)	3/8"-1" (9-25mm)
TCHD1AL1S3BT	Black	Metal	1 Leg	3/4" (19mm)	3/8"-1" (9-25mm)
TCHD1AL2S3WT	White	Metal	2 Legs	Fixed at 13/16" (21mm)	-
TCHD1AL2S3BT	Black	Metal	2 Legs	Fixed at 13/16" (21mm)	-
TCHD1S3BT	Black	Metal/Wood/Vinyl	-	3/4" (19mm)	3/8"-1" (9-25mm)
TCHD1L2S3BT	Black	Metal/Wood/Vinyl	2 Legs	Fixed at 13/16" (21mm)	-
TCHD2L1SS3BT	Black	Vinyl/Wood	1 Leg	3/4" (19mm)	3/8"-1" (9-25mm)
TCHD2L2S3BT	Black	Vinyl/Wood	2 Legs	Fixed at 13/16" (21mm)	-
TCHDCAPS3	Black	Safety Cap	-	-	-

ALIGNMENT LEGS

"L2" & "L1" models:
Quick-fit alignment legs
for faster installation and
added fixing strength.
Two legs provide secure,
double-face fixing.



* D&D's White Polymer range may discolour over time.
Aesthetic changes/discoloration etc. are not covered under D&D's **PRODUCT WARRANTY**.
Visit our white hardware cleaning tips [HERE](#).

TRUClose® ROUND

Self-closing hinges for round-post applications

- Easy tension adjustment from both ends
- Includes adaptors for various post diameters
- Right- or left-handed gate-swing installation
- Side-fixing legs for fast alignment and extra fixing strength
- Self-closes gates up to 154 lb (70kg)
- UV-stabilised, industrial-grade polymer & stainless components
- Will not rust, bind, sag or stain
- All fasteners included



TCHDRND1S3			
GATE DIAMETER*	POST DIAMETER*	DISTANCE BETWEEN GATE AND POST (D)	FIXED GATE GAP (E)
1 3/8" (35mm)	2" (48-51mm)	2 5/8" (67mm)	1" (25mm)
1 3/8" (35mm)	2 3/8" (60mm)	2 13/16" (72mm)	1" (25mm)
1 3/8" (35mm)	2 7/8" (73mm)	3 1/8" (78mm)	1" (25mm)
1 5/8" (41mm)	2" (48-51mm)	2 3/4" (70mm)	1" (25mm)
1 5/8" (41mm)	2 3/8" (60mm)	3" (75mm)	1" (25mm)
1 5/8" (41mm)	2 7/8" (73mm)	3 1/4" (81mm)	1" (25mm)

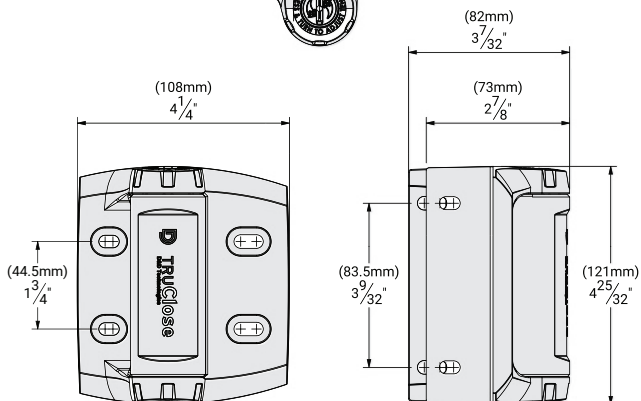
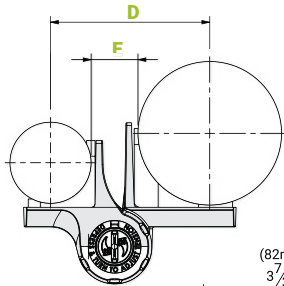
TCHDRND2S3			
GATE DIAMETER*	POST DIAMETER*	DISTANCE BETWEEN GATE AND POST (D)	FIXED GATE GAP (E)
2" (48-51mm)	2" (48-51mm)	3" (75mm)	1" (24mm)
2" (48-51mm)	2 7/8" (73mm)	3 3/8" (86mm)	1" (24mm)

* Using Round Post adaptors provided



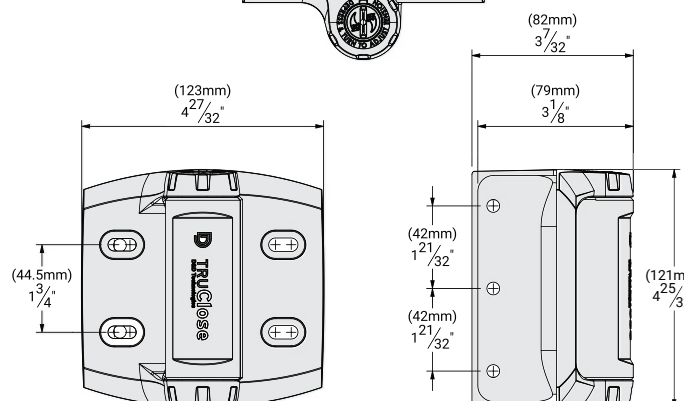
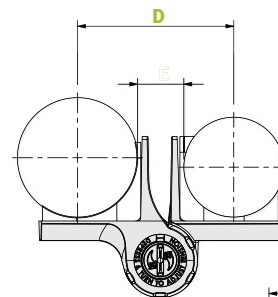
TCHDRND1S3

Distance from post centers



TCHDRND2S3

Distance from post centers



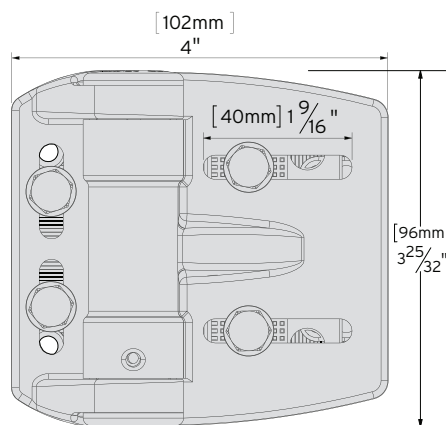
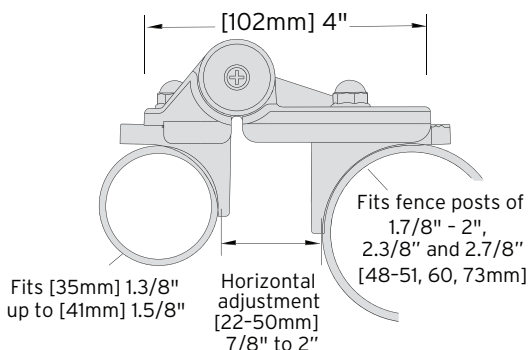
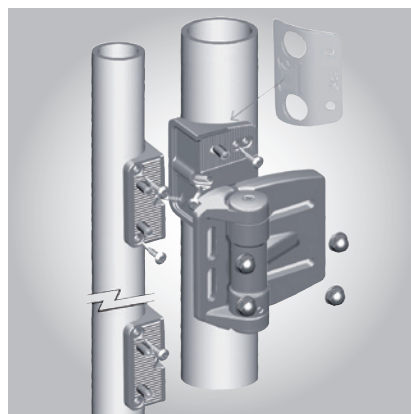
DD[®] MULTIADJUST™ ROUND

Highly adjustable, self-closing hinges for round-post or chainlink gates

- 3-way adjustment - vertical, horizontal & tension
- Easy alignment legs & adjustment slots
- Up to 3/4" (19mm) adjustment
- For gate gaps from 7/8"-2" (22-50mm)
- Self-closes gates up to 55 lb (25kg)
- Won't rust, bind, sag or stain
- Industrial-strength polymer with stainless components
- UV stabilized, self-lubricating durability



CODE	GATE MATERIAL	IDEAL GATE GAP	GAP VARIANCE	COLOR
TCAMA2RND	Chainlink	1 3/8" (35mm)	7/8"-2" (22-50mm)	Black





Highly adjustable, self-closing hinges for large gate gaps

- 3-way adjustment: vertical, horizontal & tension
- Up to 3/4" (19mm) horizontal adjustment
- Fits gate gaps up to 2" (50mm)
- UV-stabilized, industrial-strength polymer construction
- Internal stainless steel spring and components
- Regular models self-close gates up to 55 lb (25kg)

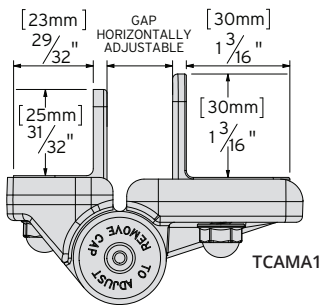
CODE	GATE MATERIAL	IDEAL GATE GAP	GAP VARIANCE	COLOR
TCAMA1	Metal, Wood, Vinyl	1 1/8" (29mm)	7/8"-1 1/2" (22-38mm)	Black
TCAMA2	Metal, Wood, Vinyl	1 1/8" (35mm)	7/8"-2" (22-50mm)	Black
TCAMA2WT	Metal, Wood, Vinyl	1 1/8" (35mm)	7/8"-2" (22-50mm)	White



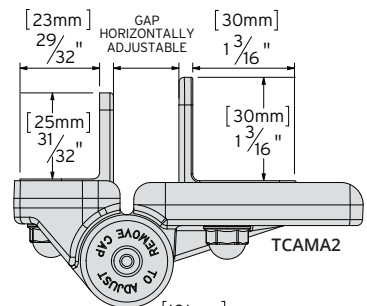
Regular TCAMA2



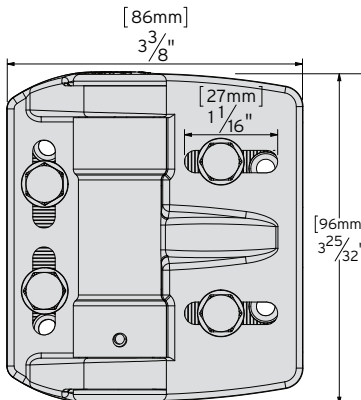
Regular TCAMA1



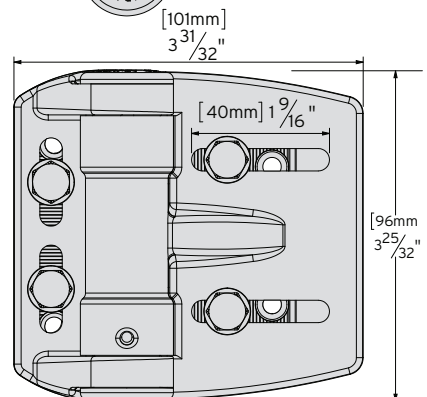
TCAMA1



TCAMA2



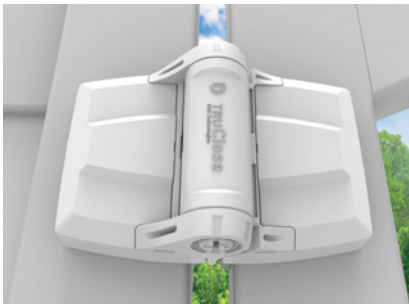
Regular TCAMA2WT





Highly adjustable, heavy duty self-closing hinges for large gate gaps

- 3-way adjustment: vertical, horizontal & tension
- Up to 50% faster to install with NEW built-in brackets
- Quick self-closing adjustment - no special tools required
- Self-closes gates up to 154 lb (70kg)
- UV stabilised, industrial strength polymer construction
- Internal stainless steel spring
- Contemporary design for vinyl & composite gates
- Removable trim covers & all fasteners included

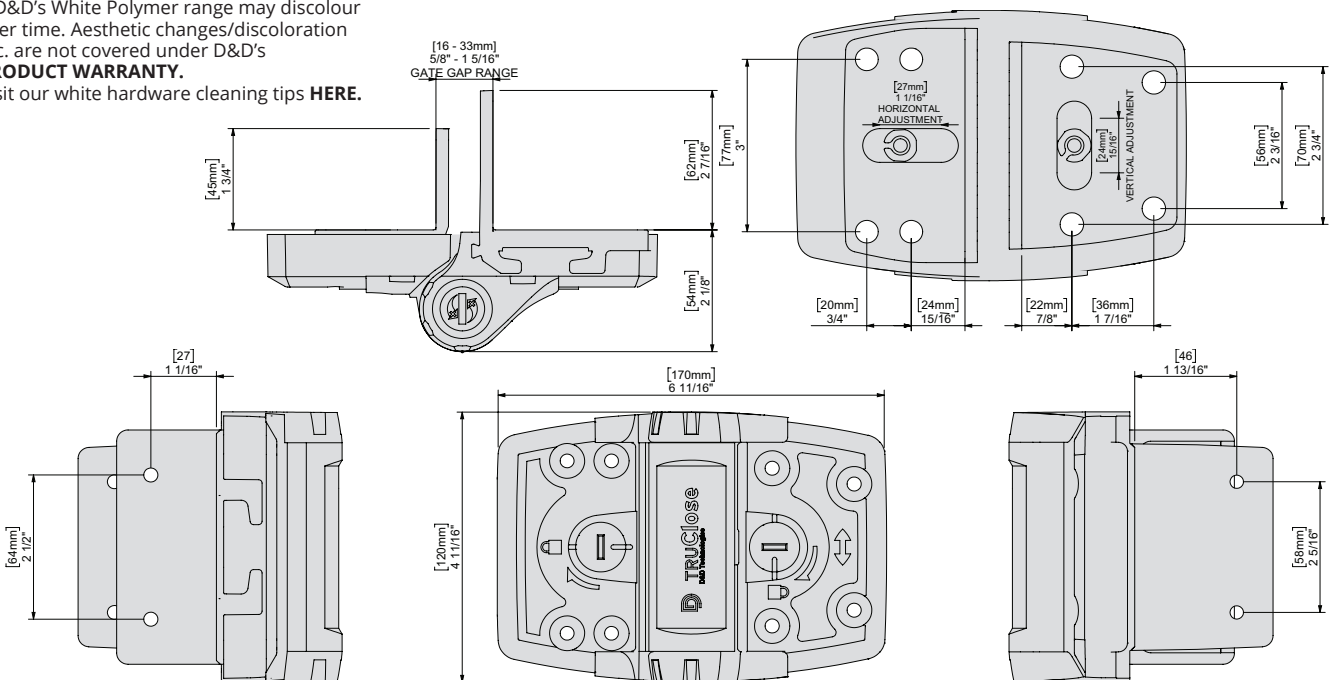


GOOD DESIGN AWARD WINNER

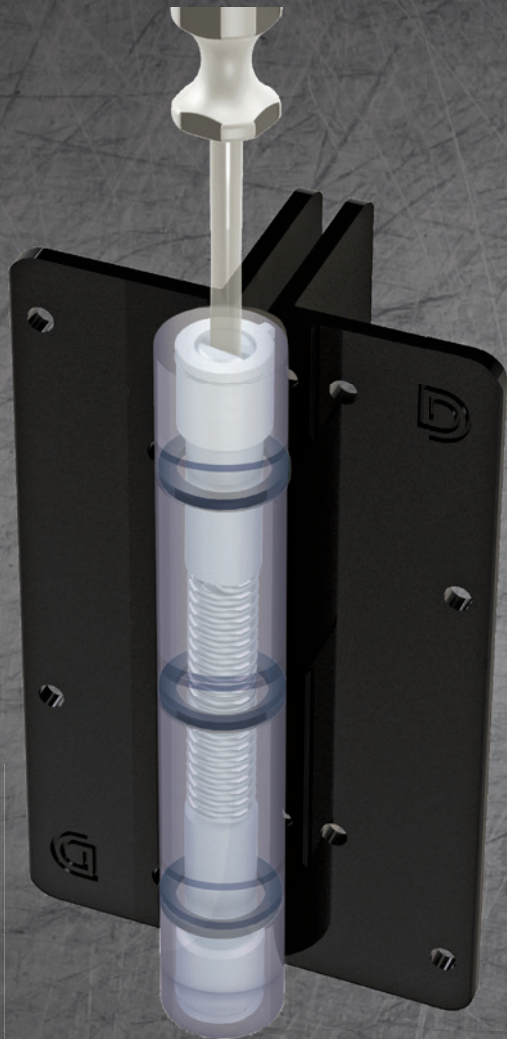


CODE	GATE MATERIAL	IDEAL GAP	GAP VARIANCE	COLOR
TCHDMA1S3BT	Vinyl, Composite	1" (25mm)	5/8" - 1 11/16" (16-43mm)	Black
TCHDMA1S3WT	Vinyl, Composite	1" (25mm)	5/8" - 1 11/16" (16-43mm)	White

* D&D's White Polymer range may discolour over time. Aesthetic changes/discoloration etc. are not covered under D&D's **PRODUCT WARRANTY**. Visit our white hardware cleaning tips [HERE](#).



Traditionally styled, self-closing, aluminum gate hinges



Patented tension adjustment

- Adjust tension from both ends (tension adjustment always facing up)
- 6 tension settings for finer adjustment (suit a range of metal gates)
- Single-handed tension adjustment (using slot-head screwdriver)

Polymer pivot design

Low-friction polymer pivot washers provide long life & low maintenance

Side-fixing legs

For quick alignment during installation plus added fixing strength

Stainless steel spring

Internal torsion spring constructed of stainless steel to prevent binding and staining

Versatile installation

Suits left- or right-swinging gates

Gate weight

Self-closes gates up to 44 lb (20kg)

3 finishes available

Aluminum with powder-coated finish in Black, Bronze or White (KF3A1BL model only available in black)



1" (25mm) narrower leaf model

Now 10% smaller in size. Designed to suit smaller post sizes, with a narrower leaf. Only available in black.



KF3A



KF3A1BL

Aluminum & Polymer General-Purpose Hinges



KF3A1BL

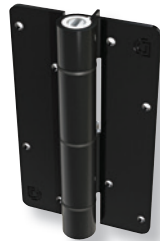
Black (Gloss)

1" (25mm) leaf width
Mounts to post, or wall
if no post available



KF3ABL

Black, White* or Bronze*
Mounts to post, or wall
if no post available



KF3

Black, White* or Bronze*
Alignment ridges for fast
and easy installation



KF3L2

Black, White* or Bronze*
Two side-fixing
legs for added strength



KF3P

Black
Plain Pivot
Hinge



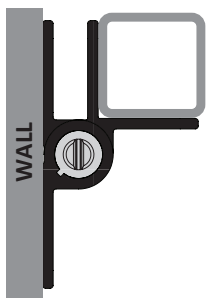
KF3S

Black
Self-Closing
Hinge

	PRODUCT CODE	GATE MATERIAL	IDEAL GATE GAP	MAXIMUM SELF-CLOSING WEIGHT*	HINGE MATERIAL	COLOR OPTIONS
KWIKFIT ALUMINUM	KF3 Alignment ridges, self-closing	Metal	Fixed at ½" 13mm	44 lb/20kg	Aluminum	Black, Bronze, White
	KF3L2 2 side fixing legs, self-closing	Metal	Fixed at ½" 13mm	44 lb/20kg	Aluminum	Black, Bronze, White
	KF3A Wall or post mount, self-closing	Metal, Wood, Brick	Fixed at ¾" 19mm	44 lb/20kg	Aluminum	Black, Bronze, White
	KF3A1BL Wall or post mount, self-closing	Metal, Wood, Brick	Fixed at ⅞" 21.5mm	44 lb/20kg	Aluminum	Black
KWIKFIT POLYMER	KF3P No spring, non-self-closing	Metal, Wood	Fixed at ¾" 19mm	N/A	Polymer	Black
	KF3S Fixed tension, self-closing	Metal, Wood	Fixed at ¾" 19mm	44 lb/20kg	Polymer	Black

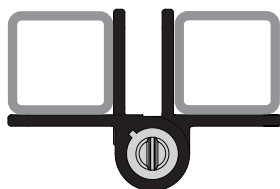
KF3A1BL/KF3A

Mounts to post, or wall
if no post available



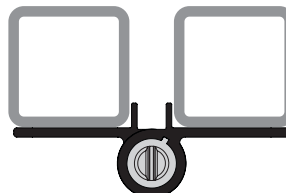
KF3A1/KF3A

Post-to-Gate



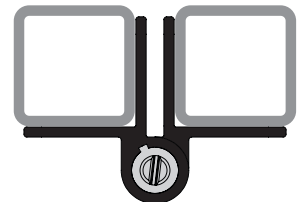
KF3

Post-to-Gate mount
with alignment ridges



KF3L2

Post-to-Gate mount
with two side-fixing legs



*Available in
Black, White or Bronze finish.
KF3A1BL only available in black.

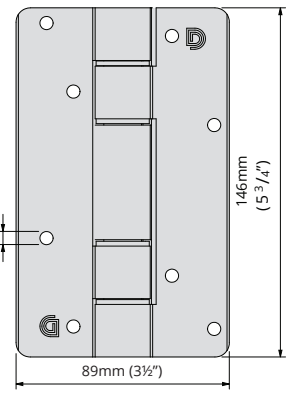
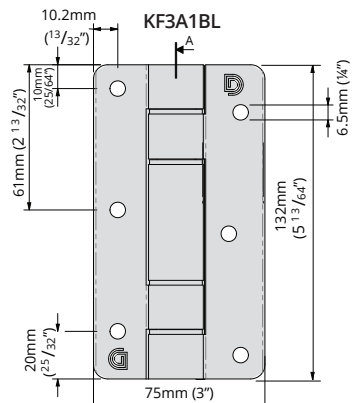
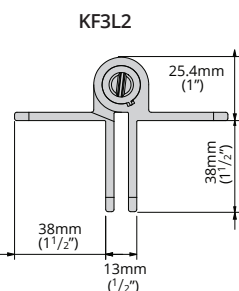
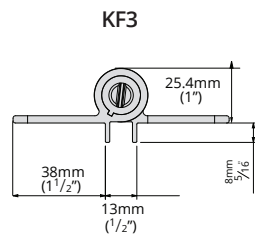
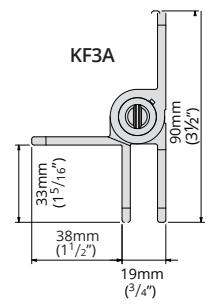
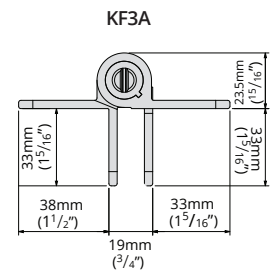
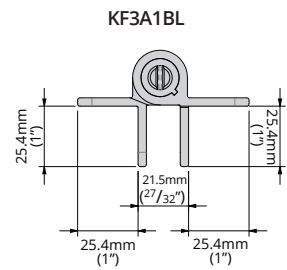
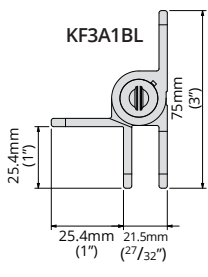
Self-Closing, Adjustable Aluminum Hinges

- Traditionally styled, self-closing hinges
- Aluminum construction with powder-coated finish
- Wall- and post-mount models available
- Internal stainless steel closing spring
- Tension adjustment from either end
- Low-friction polymer bushes for smooth closure
- Self-closes gates up to 44 lb (20kg)
- New 1" (25mm) leaf model for narrow frames

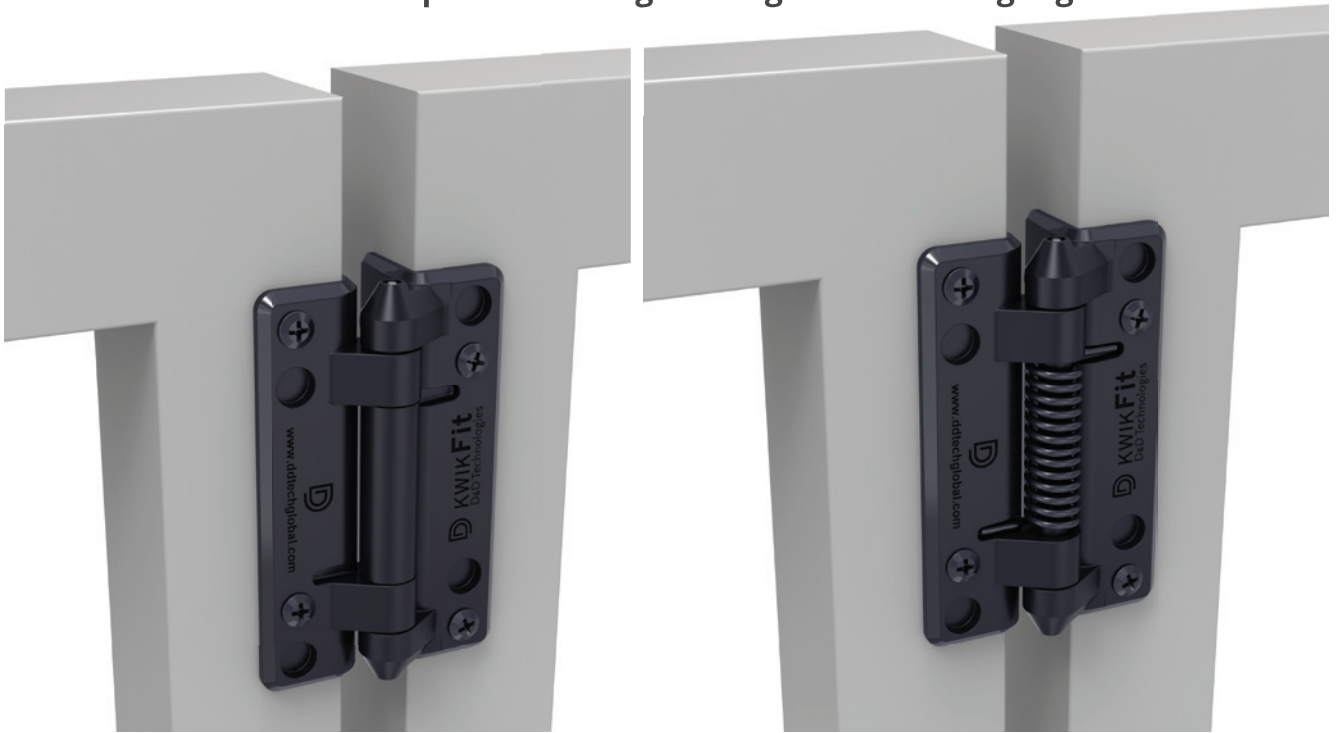


CODE	COLOR	MODEL/FEATURE	GAP VARIANCE
KF3A1BL	Black Gloss	Wall/Post mounted	Fixed at 7/8" (21.5mm)
KF3ABL	Black Gloss	Wall/Post mounted	Fixed at 3/4" (19mm)
KF3ABR	Bronze Satin	Wall/Post mounted	Fixed at 3/4" (19mm)
KF3AWT	White Gloss	Wall/Post mounted	Fixed at 3/4" (19mm)
KF3BL	Black Gloss	Alignment ridges	Fixed at 1/2" (13mm)
KF3BR	Bronze satin	Alignment ridges	Fixed at 1/2" (13mm)
KF3WT	White Gloss	Alignment ridges	Fixed at 1/2" (13mm)
KF3L2BL	Black Gloss	2 side-fixing legs	Fixed at 1/2" (13mm)
KF3L2BR	Bronze Satin	2 side-fixing legs	Fixed at 1/2" (13mm)
KF3L2WT	White Gloss	2 side-fixing legs	Fixed at 1/2" (13mm)

NOTE: New KF3A1BL (1"/25mm wide leaf) model sold in pairs.
 All other KwikFit® Aluminum models sold as single hinges.
 For pairing or kit options, please contact your D&D sales representative.



General-Purpose Gate Hinges for light- to mid-weight gates

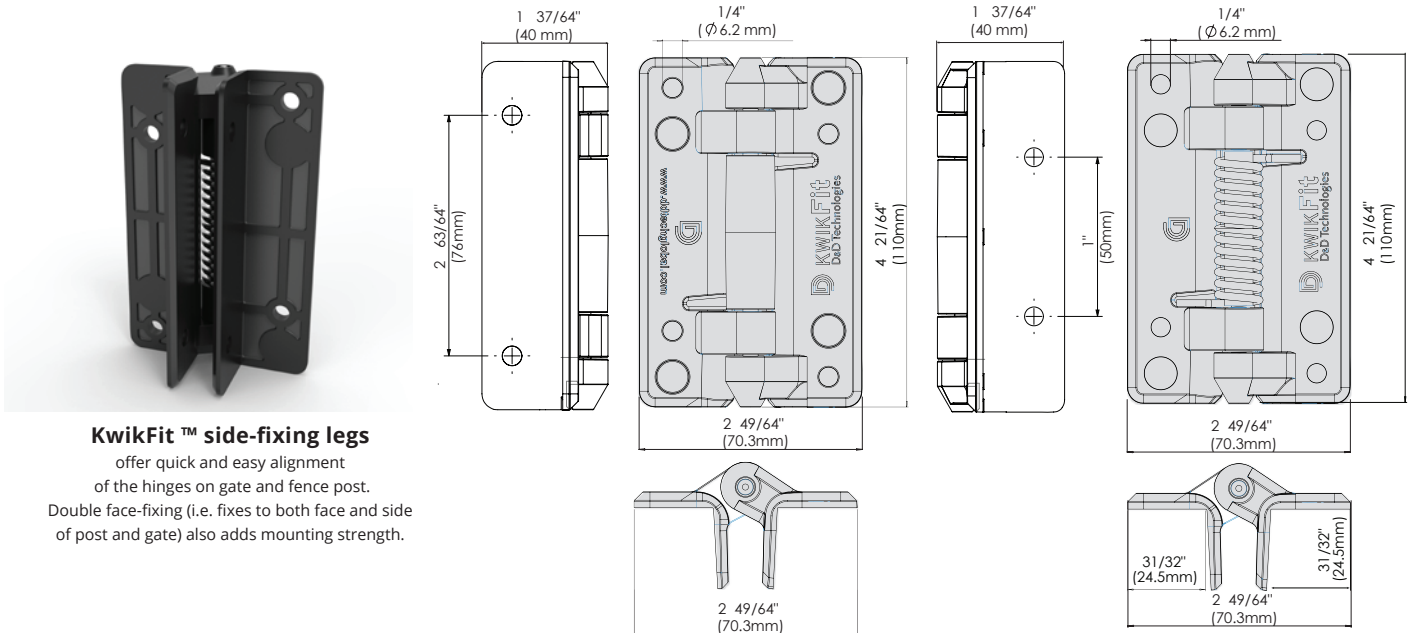


KF3P
Plain pivoting, no spring

KF3S
Self-closing, fixed tension

- New, economical gate hinges
- Industrial-strength polymer construction
- Integrated safety cap prevents foothold
- Stainless-steel components
- Won't rust, bind, sag or stain
- KF3P model for gates up to 55 lb (25kg)
- KF3S self-closes gates up to 44 lb (20kg)

CODE	COLOR	MODEL/FEATURE	GATE GAP	GATE MATERIAL
KF3P	Black	Plain pivoting - No spring	Fixed at 3/4" (19mm)	Metal, Wood, Vinyl
KF3S	Black	Self-closing - fixed tension	Fixed at 3/4" (19mm)	Metal, Wood, Vinyl



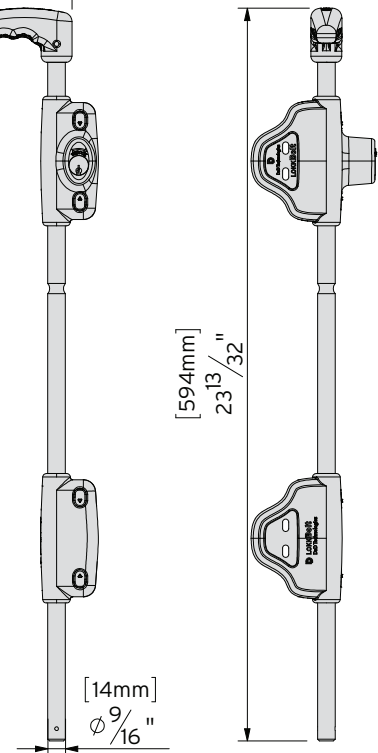
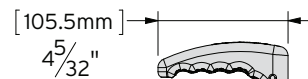
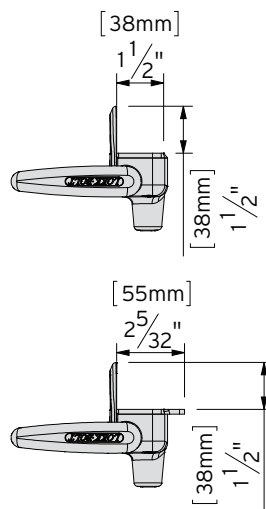
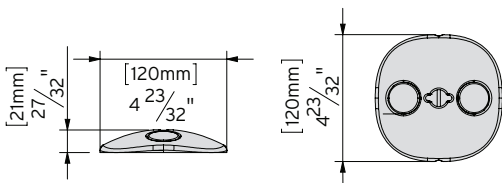


Premium, Lockable Security Drop-Bolt

- 316 marine-grade stainless steel drop-rod
- Tough polymer-housing mounting system
- 6-pin lock (rekeyable to match door & gate locks)
- Retention grooves prevent dropping and dragging
- Bolt lengths: 18" & 24" (450 & 610mm)
- Models for wood & vinyl have added fixing points
- Optional 'Base Plate' retains bolt into ground



CODE	COLOR	GATE MATERIAL	BOLT LENGTH
LB118BX	Black	Metal	18" (450mm)
LB124BX	Black	Metal	24" (610mm)
LB218BX	Black	Wood, Vinyl	18" (450mm)
LBBPGB	Black	Optional Base Plate	-



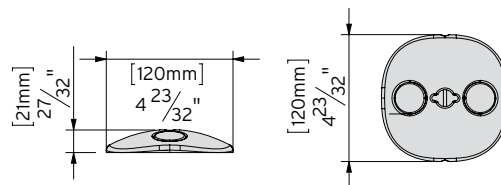
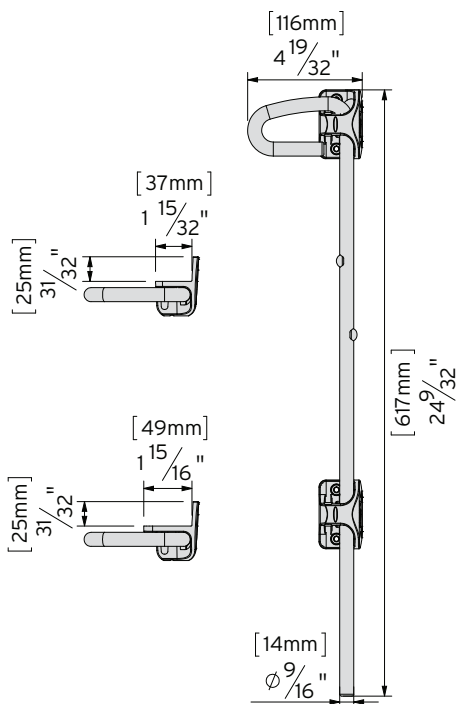


Economical, Padlockable Drop-Bolt

- Electro-polished stainless steel & powder-coated
- Tough polymer-housing mounting system
- High wear and corrosion resistant drop-rod
- Padlockable; with padlock storage feature
- Retention tabs prevent bolt dropping & dragging
- Mounting systems for metal, wood & vinyl
- Bolt lengths: 24" & 40" (610 & 1020mm)



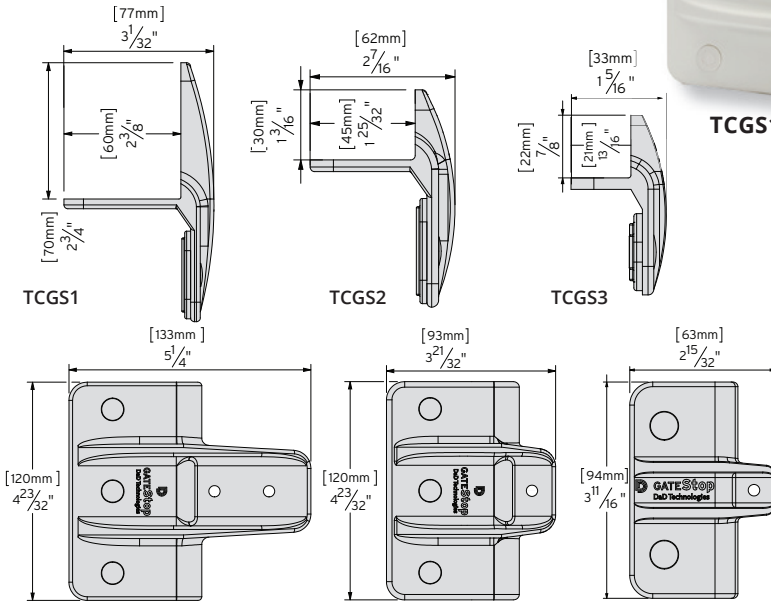
CODE	COLOR	GATE MATERIAL	BOLT LENGTH
QB124	Black	Metal	24" (610mm)
QB140	Black	Metal	40" (1020mm)
QB224	Black	Wood, Vinyl	24" (610mm)
QB240	Black	Wood, Vinyl	40" (1020mm)
LBBPGB	Black	Optional Base Plate	-





Gate Protection Device in 3 sizes & styles

- Industrial-strength polymer construction + rubber bumper
- Prevents damage to latches & hinges
- Greatly reduces gate-slam noise
- Two side-fixing legs for added strength

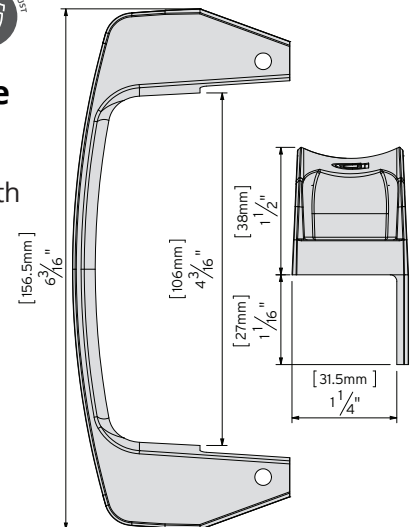


CODE	COLOR	GATE MATERIAL
TCGS1	Black	Wood, Vinyl
TCGS1WT	White	Wood, Vinyl
TCGS2	Black	Metal, Wood, Vinyl
TCGS3	Black	Metal



General-Purpose, Ergonomic Gate Handle

- Improved ergonomics & styling
- Side-fixing legs for quick alignment & added strength
- Fits left-or right-hand opening gates
- Won't rust, stain or chip
- Industrial-strength polymer construction
- Available in Black or White finish
- Stainless steel fasteners included

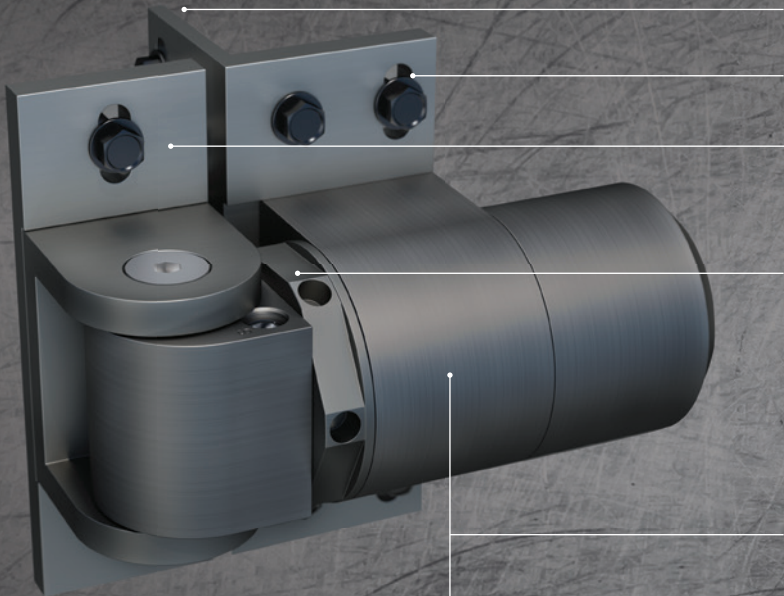


CODE	COLOR	GATE MATERIAL
LL3GH	Black	Metal, Wood, Vinyl
LL3GHWT	White	Metal, Wood, Vinyl

* D&D's White Polymer range may discolour over time. Aesthetic changes/discoloration etc. are not covered under D&D's **PRODUCT WARRANTY**. Visit our white hardware cleaning tips [HERE](#).



Powerful, hydraulic hinge-closers. Heavy duty and corrosion resistant.



READYFIT model

Quick-fit alignment legs

For ease of installation, alignment and double face-fixing strength.

Vertical alignment slots

Re-align hinge (gate) at any time.

Added security

Torx screws that prevent tampering.

Multiple adjustment options

- Adjustable self-closing and speed
- Adjustable final snap-close action
- Gate gap horizontal adjustability 1/2"-1 3/8" (12-35mm)

Superior corrosion resistance

- Steel weld-on models feature high-performance proprietary, non-electrolytic zinc flake coating (no need to grind off before welding).
- Aluminum screw-on models feature 50-micron thick anodized coating.

Mounting Brackets:

A variety of gate bracket options to suit virtually any square-post application:

- Steel or Aluminum
- Fastened or Welded
- External, Flush Mount or Center Mount

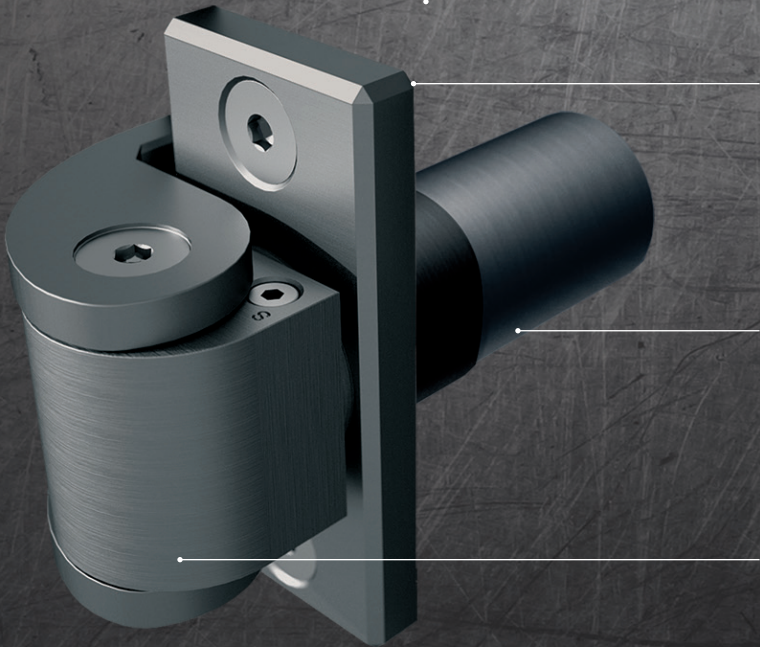
Powerful, hidden hydraulics

Hydraulics are concealed within the hinge providing controlled, quiet closing in a tamper-resistant, compact design.

No need to ever add fluid.

Dual -Bearing Glide System

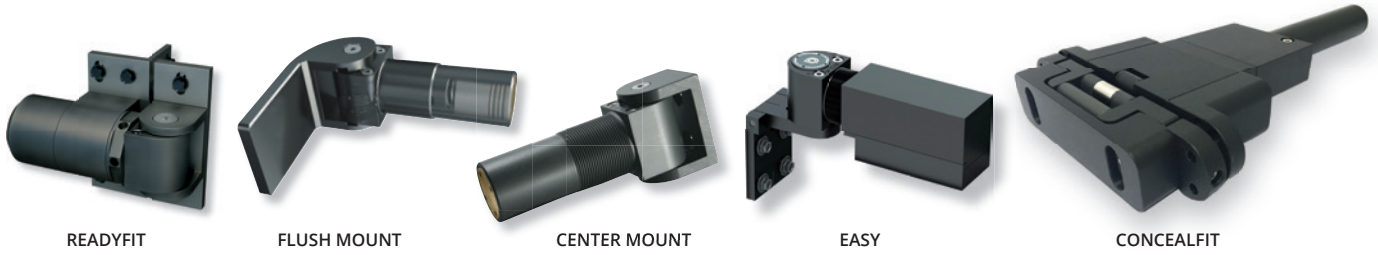
Two rows of bearings for consistently superior performance



FLUSH MOUNT model



Hydraulic Hinge-Closer Selection Guide



MODEL	CODE	MODEL	PRODUCT DESCRIPTION	MOUNTING TYPE	FIXING METHOD	MAX OPENING ANGLE	SELF-CLOSING FROM
READYFIT™	74108323T	RF108SF S	Safety Hinge/Closer	External	Aluminum Screw-on	88°	88°
	74108313T	RF108 S	Hinge/Closer	External	Aluminum Screw-on	178°	83°
	74001313T	RFSM S	Hinge Only	External	Aluminum Screw-on	178°	N/A
	74108325T	RF108SF W	Safety Hinge/Closer	External	Steel Weld-on	88°	88°
	74108315T	RF108 W	Hinge/Closer	External	Steel Weld-on	178°	83°
	74001315T	RFSM W	Hinge Only	External	Steel Weld-on	178°	N/A
FLUSH MOUNT	75001213	SMAT90 S	Hinge Only	Flush	Aluminum Screw-on	180°	N/A
	75057213M	57AT90 S	Hinge/Closer	Flush	Aluminum Screw-on	180°	85°
	75057223M	57SFAT90 S	Hinge/Closer	Flush	Aluminum Screw-on	90°	90°
	75108213M	108AT90 S	Hinge/Closer	Flush	Aluminum Screw-on	180°	85°
	75108223M	108SF AT90 S	Safety Hinge/Closer	Flush	Aluminum Screw-on	90°	90°
	75001214	SMAT90 W	Hinge Only	Flush	Steel Weld-on	180°	N/A
	75057214M	57AT90 W	Hinge/Closer	Flush	Steel Weld-on	180°	85°
	75057224M	57SF AT90 W	Hinge/Closer	Flush	Steel Weld-on	90°	90°
	75108214M	108 AT90 W	Hinge/Closer	Flush	Steel Weld-on	180°	85°
	75108224M	108SFAT90 W	Safety Hinge/Closer	Flush	Steel Weld-on	90°	90°
CENTER MOUNT	75001113	SM S	Heavy Duty Hinge	Center	Aluminum Screw-on	90°	N/A
	75057113M	57 S	Hinge/Closer	Center	Aluminum Screw-on	90°	85°
	75057123M	57SF S	Hinge/Closer	Center	Aluminum Screw-on	90°	90°
	75108113M	108 S	Safety Hinge/Closer	Center	Aluminum Screw-on	90°	85°
	75108123M	108SF S	Safety Hinge/Closer	Center	Aluminum Screw-on	90°	90°
	75001114	SM W	Heavy Duty Hinge	Center	Steel Weld-on	90°	N/A
	75057114M	57 W	Hinge/Closer	Center	Steel Weld-on	90°	85°
	75057124M	57SF W	Hinge/Closer	Center	Steel Weld-on	90°	90°
	75108114M	108 W	Safety Hinge/Close	Center	Steel Weld-on	90°	85°
	75108124	108SF W	Safety Hinge/Close	Center	Steel Weld-on	90°	90°
EASY™	72108423	SC108SF S	Hydraulic Closer	External	Aluminum Screw-on	90°	90°
CONCEALFIT™	77108523	SC CF KIT	Door Closer/Hinge Kit	Center	Aluminum Screw-on	125°	125°
	78108513	SC CF HINGE	Plain Pivot Door Hinge	Center	Aluminum Screw-on	125°	N/A



Post Mounting Brackets (sold separately)



7511
CENTER MOUNT



7512
CENTER MOUNT



7526
CENTER MOUNT



7515
FLUSH MOUNT



7525
FLUSH MOUNT

HORIZONTAL GAP VARIANCE	MINIMUM POST/DOOR SIZE	FIXING BRACKET CODE	SELF-CLOSING SAFETY/ POOL	ADA COMPLIANT	SELF-CLOSING WITH HOLD OPEN	NON SELF-CLOSING	ADJUSTABLE CLOSING SPEED	FINAL SNAP ACTION
½"–1¾" (12-35mm)	2" (50mm)	Included	*●				●	●
½"–1¾" (12-35mm)	2" (50mm)	Included		●	●		●	●
½"–1¾" (12-35mm)	2" (50mm)	Included				●		
½"–1¾" (12-35mm)	2" (50mm)	Included	*●	●			●	●
½"–1¾" (12-35mm)	2" (50mm)	Included						
½"–1¾" (12-35mm)	2" (50mm)	Included						
½" (13mm)	2" (50mm)	7515				●		
½" (13mm)	2" (50mm)	7515		●	●		●	
½" (13mm)	2" (50mm)	7515	*●				●	
½" (13mm)	3" (76mm)	7515		●	●		●	●
½" (13mm)	3" (76mm)	7515	*●				●	●
½" (13mm)	2" (50mm)	7525				●		
½" (13mm)	2" (50mm)	7525		●	●		●	
½" (13mm)	2" (50mm)	7525	*●				●	
½" (13mm)	3" (76mm)	7525		●	●		●	●
½" (13mm)	3" (76mm)	7525	*●				●	●
2½–3" (63-76mm)	2½" (64mm)	7511, 7512				●		
2½–3" (63-76mm)	2½" (64mm)	7511, 7512		●	●		●	
2½–3" (63-76mm)	2½" (64mm)	7511, 7512	*●				●	
2½–3" (63-76mm)	3" (76mm)	7511, 7512		●	●		●	●
2½–3" (63-76mm)	3" (76mm)	7511, 7512	*●				●	●
2½–3" (63-76mm)	2½" (64mm)	7526				●		
2½–3" (63-76mm)	2½" (64mm)	7526		●	●		●	
2½–3" (63-76mm)	2½" (64mm)	7526	*●				●	
2½–3" (63-76mm)	3" (76mm)	7526		●	●		●	●
2½–3" (63-76mm)	3" (76mm)	7526	*●				●	●
2–4" (51-102mm)	2" (50mm)	Included	*●				●	●
N/A	1½" (40mm)	N/A		●			●	●
N/A	1½" (40mm)	N/A						

*Check local pool barrier guidelines for proper installation methods. (SF) = Gate will not hold open at 90° (i.e. OK for safety gates).

Do NOT use a hinge with a 90° hold-open feature for pool/child safety gates.

In Australia, hinges must be at least 36" (900mm) apart so that they cannot be used as footholds by toddlers.

CAUTION: A gate-stop must be installed when using SF models. Gate must not be allowed to open past 90°. Doing so voids warranty.

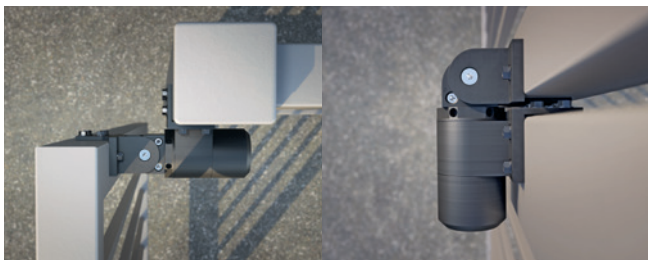


D[®] SURECLOSE[®] READYFIT

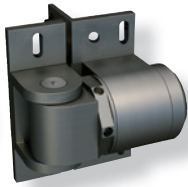
External, heavy duty hydraulic hinge-closers

- Hidden hydraulics for quiet, controlled closing
- Screw-on or weld-on; screws and brackets included
- Weld-on models feature proprietary finish – no need to grind off before welding!
- For gate gaps of ½”–1¾” (12–35mm)
- Alignment side legs give double face-fixing strength
- Final Snap-Close Action in all “108” models
- Emergency override feature for safety and longevity
- Minimum fence post size 2” (50mm)
- Suitable for ADA use

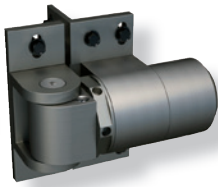
NOTE: Warranty conditions vary according to application and usage. See full Warranty details and Limitations on D&D Technologies’ website.



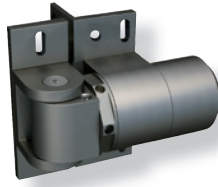
RF SM S
74001313T
HINGE ONLY



RF SM W
74001315T
HINGE ONLY



RF 108 S / RF 108SF S
74108313T / 74108323T
HINGE-CLOSER



RF 108 W / RF 108SF W
74108315T / 74108325T
HINGE-CLOSER



7403 RF
GATE STOP



SURECLOSE [®] READYFIT – PLAIN PIVOTING HINGES					
CODE	DESCRIPTION	SOLD AS	MATERIAL & MOUNTING	MAX. OPENING ANGLE	Configuration for Maximum gate weight 1,500 lb (860kg) ¹ Access Control.
74001315T	Plain Pivoting Hinge	Single Hinge	Steel Weld or Screw	178°	74001315T + 74001315T (Not self-closing)
74001313T	Plain Pivoting Hinge	Single Hinge	Aluminum Weld or Screw	178°	74001313T + 74001313T (Not self-closing)

Note: Minimum fence post size 2” (50m). Gap variance for all models ½ to 1¾” (12–35mm). Do not exceed gap of 1¾” (35mm)

SURECLOSE [®] READYFIT – SELF-CLOSING HYDRAULIC HINGE/CLOSERS & ACCESSORIES								
CODE	DESCRIPTION	SOLD AS	MATERIAL AND MOUNTING	MAX. OPENING ANGLE	SELF-CLOSING FROM	REQUIRES GATE-STOP	Self-closes gates up to 180 lb (80kg) ¹	Self-closes gates up to 260 lb (120kg) ¹
74108313T ⁴	Hinge-Closer w/ hold-open	Single	Aluminum Weld or Screw	180°	83°	No	74108313T + 74001313T	74108313T + 74108313T
74108323T ⁴	Hinge-Closer – safety model	Single	Aluminum Weld or Screw	88°	88°	Yes ³	74108323T + 74001313T	74108323T + 74108323T
74108315T ⁴	Hydraulic Hinge-Closer	Single	Steel Weld or Screw	180°	83°	No	74108315T + 74001315T	74108315T + 74108315T
74108325T ⁴	Hinge-Closer – safety model	Single	Steel Weld or Screw	88°	88°	Yes ²	74108325T + 74001315T	74108325T + 74108325T
7403	READYFIT GateStop	Single	Steel Weld or Screw	85°	N/A	N/A	N/A	N/A

¹ Based on maximum gate size 72”H x 40W (1800x1000mm).

For gates with greater HxW, or if weather conditions such as wind play a role, use hinge combinations with higher self-closing weight ratings.

² **CAUTION:** Not suitable child/pool gates unless a gate-stop is installed at a maximum of 170° opening. DO NOT PROP GATE OPEN.

³ **CAUTION:** When used on swimming pool gates, always consult local authorities for swimming pool Codes.

A gate-stop MUST be installed when using safety models. Gate MUST NOT be allowed to open past 90°. Doing so voids warranty.

⁴ **MEETS ADA REQUIREMENTS** for gate opening and closing angles and self-closing speed.



Gate Function

■ Hold-open
Not for safety gates

■ Self-closing
Speed adjustable

■ Final snap-close action
For electric/coded locks

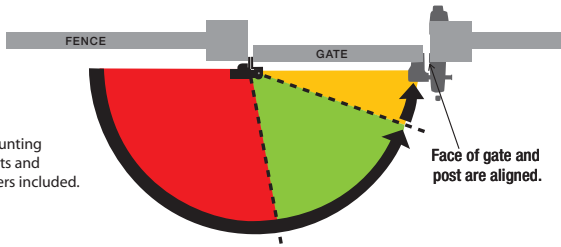
■ Non self-closing

READYFIT Brackets

Models	Bracket Material
74108313T	Aluminum
74108315T	Steel

SELF-CLOSING - NON SAFETY

Not suitable for child/pool safety



All mounting brackets and fasteners included.

Face of gate and post are aligned.

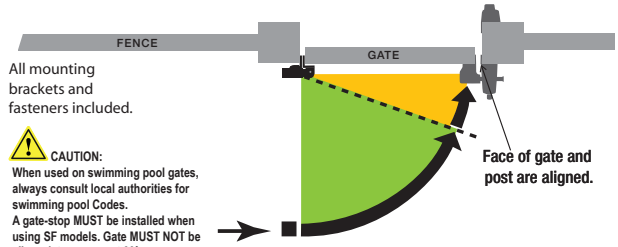
READYFIT Brackets

Models	Bracket Material
74108323T	Aluminum
74108325T	Steel

SELF-CLOSING - SAFETY ("SF" model)

*Suitable for child/pool safety**

DO NOT PROP GATE OPEN



All mounting brackets and fasteners included.



CAUTION:
When used on swimming pool gates, always consult local authorities for swimming pool Codes.
A gate-stop **MUST** be installed when using SF models. Gate **MUST NOT** be allowed to open past 90°.
Doing so voids warranty.

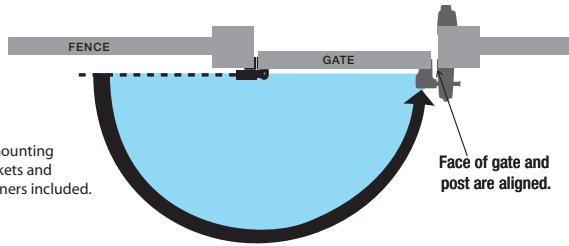
Face of gate and post are aligned.

READYFIT Brackets

Models	Bracket Material
74001313T	Aluminum
74001315T	Steel

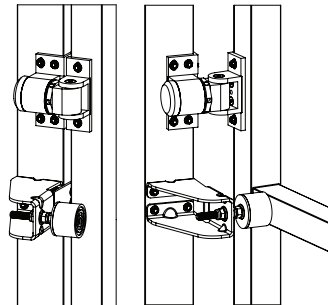
NON SELF-CLOSING

Not suitable for child/pool safety



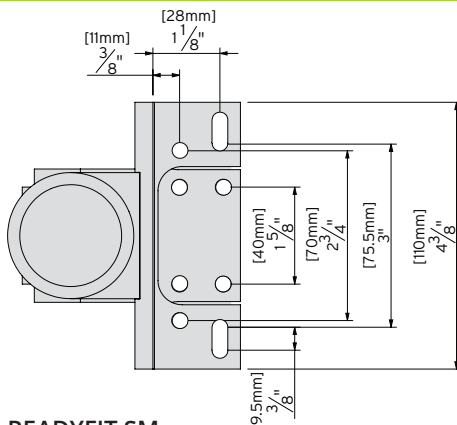
All mounting brackets and fasteners included.

Face of gate and post are aligned.



For larger gaps, adjust hinge and gate stop equally ensuring the gate does not open past 85°.

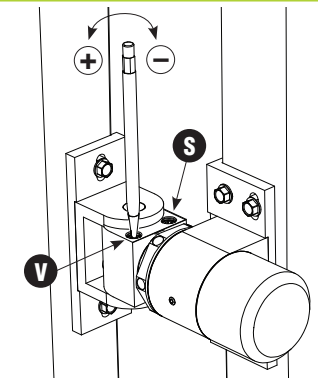
Install Gate Stop onto the fence post the safest height to make contact with a cross rail or kick plate.



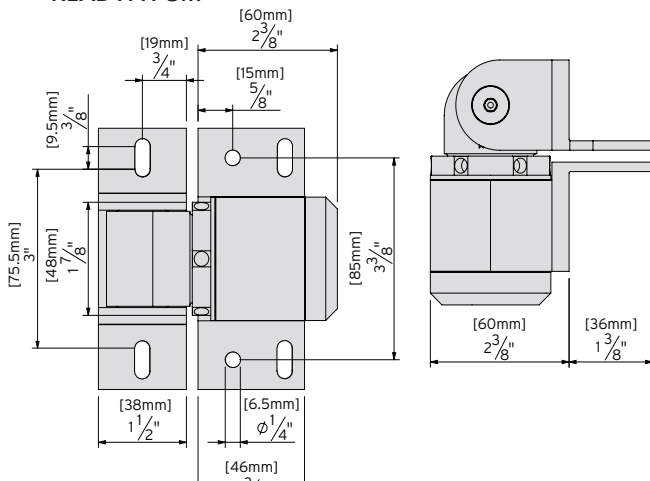
Adjustable final **Snap-close action** in all "108" models. Use adjustment tool provided.

V = Closing Speed
S = Final Snap-Close Action

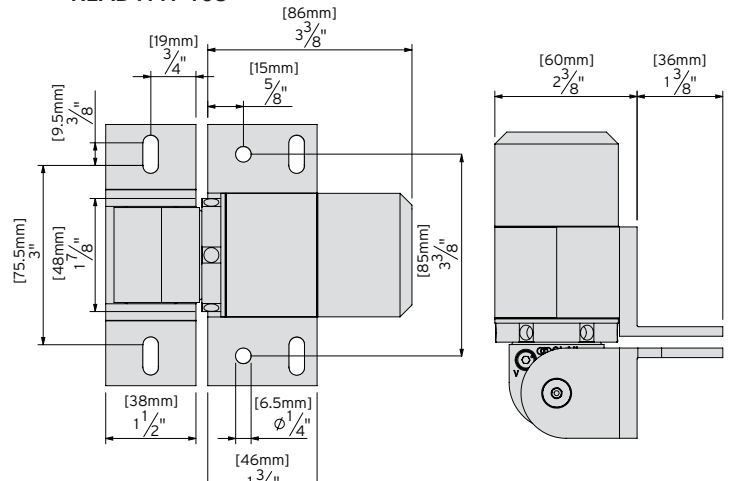
Horizontal gate-gap variance
1/2 to 1 3/8" (12-35mm). Do not exceed gap of 1 3/8" (35mm). Alignment legs provide double face-fixing strength.



READYFIT SM



READYFIT 108



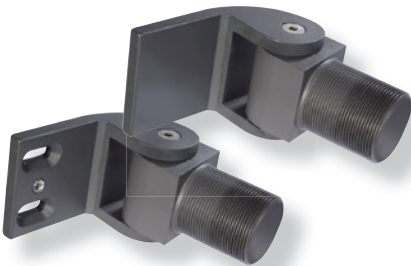
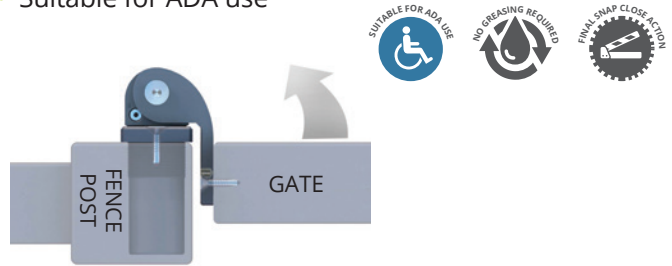


5 YEAR WARRANTY

D SUREClose® FLUSH MOUNT

Internally Mounted, Hydraulic Hinge-Closers

- Powerful, hidden hydraulics in a compact unit
- Prevents gate-slam noise and gate damage
- Maintenance-free, with high corrosion resistance
- Multiple adjustment options (closing force, speed)
- Self-closes gates up to 260 lb (120kg)
- Non-self-closing models available
- 50-micron anodizing (aluminum components)
- Weld-on models – no need to grind before welding!
- Mounting Brackets sold separately (see guide p.49)
- Suitable for ADA use



SM AT90 S / SM AT90 W
75001213 / 75001214
NON-SELF-CLOSING



57 AT90 S / 57 AT90 W
75057213M / 75057214M
SELF-CLOSING FROM 85°
Holds gate open at 90°

57SF AT90 S / 57SF AT90 W
75057223M / 75057224M
SELF-CLOSING FROM 90°



108 AT90 S / 108 AT90 W
75108213M / 75108214M
SELF-CLOSING FROM 85°
Holds gate open at 90°
With Final Snap-Close Action

108SF AT90 / 108SF AT90 W
75108223M / 75108224M
SELF-CLOSING FROM 90°
With Final Snap-Close Action

CODE*	MODEL	DESCRIPTION	MOUNTING
75001213	SM AT90 S	Non-self-closing Hinge	Aluminum Screw-on
75057213M	57 AT90 S	Hydraulic Hinge Closer	Aluminum Screw-on
75057223M	57SF AT90 S**	Safety Hydraulic Hinge Closer	Aluminum Screw-on
75108213M	108 AT90 S	Hinge Closer w/ Final Snap Action	Aluminum Screw-on
75108223M	108SF AT90 S**	Safety Hinge Closer w/ Final Snap Action	Aluminum Screw-on
75001214	SM AT90 W	Non Self-Closing Hinge	Steel Weld-on
75057214M	57 AT90 W	Hydraulic Hinge Closer	Steel Weld-on
75057224M	57SF AT90 W**	Safety Hydraulic Hinge Closer	Steel Weld-on
75108214M	108 AT90 W	Hinge Closer w/ Final Snap Action	Steel Weld-on
75108224M	108SF AT90 W**	Safety Hinge Closer w/ Final Snap Action	Steel Weld-on

CAUTION: Based on max. gate size 72" H x 40" W (1800x1000mm). For gates with greater HxW, or if weather conditions such as wind play a significant role, use hinge combinations with higher self-closing weight ratings. **CAUTION: A gate-stop MUST be installed when using SF models.** Gate MUST NOT be allowed to open past 90°. Doing so voids warranty.

HINGE COMBINATIONS	MAX SELF-CLOSING GATE WEIGHT
57 + SM	90 lb (40kg)
57 + 57	180 lb (80kg)
108 + SM	180 lb (80kg)
108 + 108	260 lb (120kg)
ACCESS CONTROL	WEIGHT CAPACITY
SM + SM	1,500 lb (680kg)

* **Warranty conditions** vary according to gate or door application and usage. See full Warranty details and limitations on D&D Technologies' website. Gate mounting brackets included with hinge. Post-mounting brackets sold separately. Fasteners not included.

**Use only "SF" model (safety) closers on pool/safety gates. In Australia, hinges must be at least 36" (900mm) apart so they cannot be used as footholds by toddlers.

Gate Function

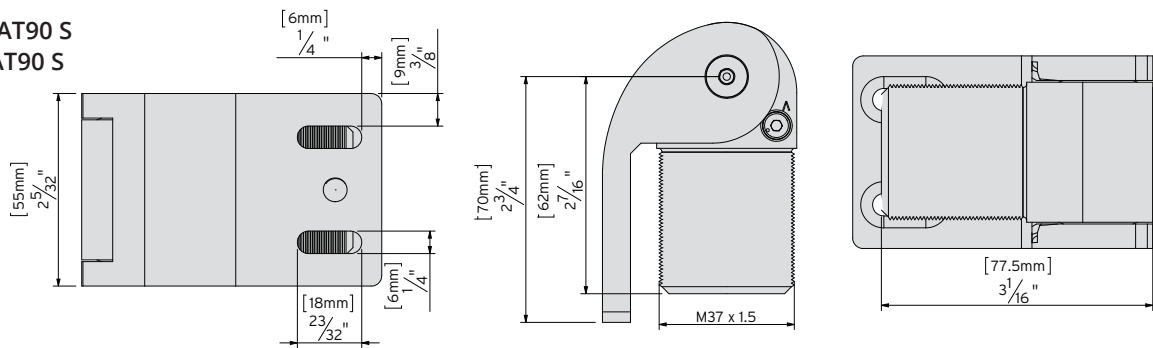
■ Hold-open
Not for safety gates

■ Self-closing
Speed adjustable

■ Final snap-close action
For electric/coded locks

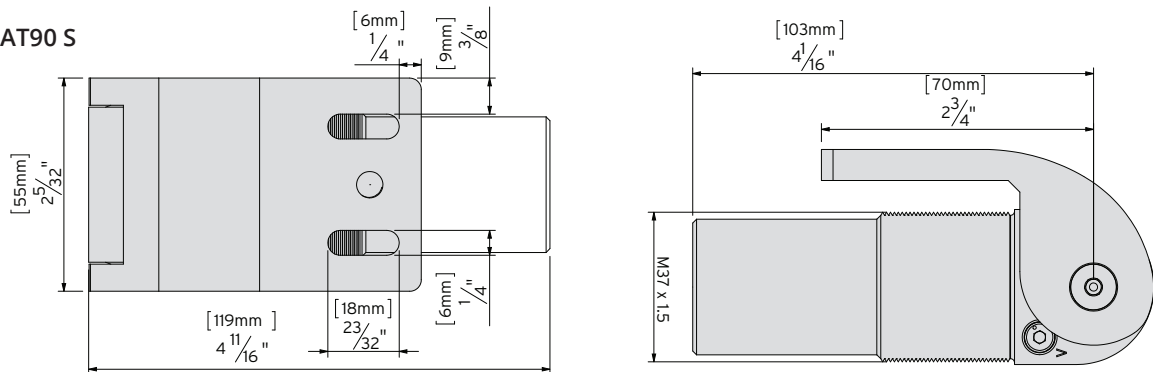
<p>Flush Mount Brackets</p> <table border="1"> <thead> <tr> <th>Models</th> <th>Bracket Material</th> </tr> </thead> <tbody> <tr> <td>75108214M</td> <td>Steel</td> </tr> <tr> <td>75108213M</td> <td>Aluminum</td> </tr> </tbody> </table> <p>SELF-CLOSING - NON SAFETY <i>Not suitable for child/pool safety</i></p> <p>Use post bracket: 7525 Steel 7515 Aluminum</p> <p>Flush Mount: Face of gate and post are aligned.</p>	Models	Bracket Material	75108214M	Steel	75108213M	Aluminum	<p>Flush Mount Brackets</p> <table border="1"> <thead> <tr> <th>Models</th> <th>Bracket Material</th> </tr> </thead> <tbody> <tr> <td>75108224M</td> <td>Steel</td> </tr> <tr> <td>75108223M</td> <td>Aluminum</td> </tr> </tbody> </table> <p>SELF-CLOSING - SAFETY (SF Model) <i>Suitable for child/pool safety*</i> DO NOT PROP GATE OPEN</p> <p>Use post bracket: 7525 (W) 7515 Aluminum</p> <p>CAUTION: When used on swimming pool gates, always consult local authorities for swimming pool Codes. A gate-stop MUST be installed when using SF models. Gate MUST NOT be allowed to open past 90°. Doing so voids warranty.</p> <p>Flush Mount: Face of gate and post are aligned.</p>	Models	Bracket Material	75108224M	Steel	75108223M	Aluminum
Models	Bracket Material												
75108214M	Steel												
75108213M	Aluminum												
Models	Bracket Material												
75108224M	Steel												
75108223M	Aluminum												
<p>Flush Mount Brackets</p> <table border="1"> <thead> <tr> <th>Models</th> <th>Bracket Material</th> </tr> </thead> <tbody> <tr> <td>75057214M</td> <td>Steel</td> </tr> <tr> <td>75057213M</td> <td>Aluminum</td> </tr> </tbody> </table> <p>SELF-CLOSING - NON SAFETY <i>Not suitable for child/pool safety</i></p> <p>Use post bracket: 7525 Steel 7515 Aluminum</p> <p>Flush Mount: Face of gate and post are aligned.</p>	Models	Bracket Material	75057214M	Steel	75057213M	Aluminum	<p>Flush Mount Brackets</p> <table border="1"> <thead> <tr> <th>Models</th> <th>Bracket Material</th> </tr> </thead> <tbody> <tr> <td>75057224M</td> <td>Steel</td> </tr> <tr> <td>75057223M</td> <td>Aluminum</td> </tr> </tbody> </table> <p>SELF-CLOSING - SAFETY (SF Model) <i>Suitable for child/pool safety*</i> DO NOT PROP GATE OPEN</p> <p>Use post bracket: 7525 Steel 7515 Aluminum</p> <p>CAUTION: When used on swimming pool gates, always consult local authorities for swimming pool Codes. A gate-stop MUST be installed when using SF models. Gate MUST NOT be allowed to open past 90°. Doing so voids warranty.</p> <p>Flush Mount: Face of gate and post are aligned.</p>	Models	Bracket Material	75057224M	Steel	75057223M	Aluminum
Models	Bracket Material												
75057214M	Steel												
75057213M	Aluminum												
Models	Bracket Material												
75057224M	Steel												
75057223M	Aluminum												

SM AT90 S 57 AT90 S



Sold as a single hinge

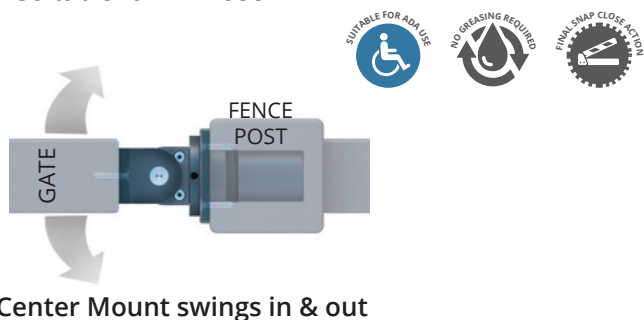
108 AT90 S



D[®] SUREClose[®] CENTER MOUNT

Internally mounted, hydraulic, hinge-Closers

- Maintenance-free, with high corrosion resistance
- Screw-on or weld-on models available
- Multiple adjustment options (closing force, speed)
- Self-closes gates up to 260 lb (120kg)
- Non-self-closing models available
- Prevents gate slam noise & gate damage
- 50-micron anodizing (aluminum components)
- Proprietary finish – no need to grind before welding!
- Mounting Brackets sold separately (see guide p.49)
- Suitable for ADA use



SM S / SM W
75001113 / 75001114
NON-SELF-CLOSING



57 S / 57 W
75057113M / 75057114M
SELF-CLOSING FROM 85°
Holds gate open at 90°

57SF S / 57SF W**
75057123M / 75057124M
SELF-CLOSING FROM 90°



108 S / 108 W
75108113M / 75108114M
SELF-CLOSING FROM 85°
Holds gate open at 90°
With Final Snap-Close action

108 SF S / 108SF W
75108123M / 75108124M
SELF-CLOSING FROM 90°
With Final Snap-Close action

CODE*	MODEL	DESCRIPTION	MOUNTING
75001113	SM S	Non Self-Closing Hinge	Aluminum Screw-on
75057113M	57 S	Hinge Closer	Aluminum Screw-on
75057123M	57SF S**	Safety Hinge Closer	Aluminum Screw-on
75108113M	108 S	Hinge Closer w/ Final Snap Action	Aluminum Screw-on
75108123M	108SF S**	Safety Hinge Closer w/ Final Snap Action	Aluminum Screw-on
75001114	SM W	Non Self-Closing Hinge	Steel Weld-on
75057114M	57 W	Hinge Closer	Steel Weld-on
75057124M	57SF W**	Safety Hinge Closer	Steel Weld-on
75108114M	108 W	Hinge Closer w/ Final Snap Action	Steel Weld-on
75108124M	108SF W**	Safety Hinge Closer w/ Final Snap Action	Steel Weld-on

CAUTION: Based on max. gate size 72"H x 40"W (1800x1000mm). For gates with greater HxW, or if weather conditions such as wind play a significant role, use hinge combinations with higher self-closing weight ratings. CAUTION: A gate-stop MUST be installed when using SF models. Gate MUST NOT be allowed to open past 90°. Doing so voids warranty.	
HINGE COMBINATIONS	MAX SELF-CLOSING GATE WEIGHT
57 + SM	90 lb (40kg)
57 + 57	180 lb (80kg)
108 + SM	180 lb (80kg)
108 + 108	260 lb (120kg)
ACCESS CONTROL	WEIGHT CAPACITY
SM + SM	1,500 lb (680kg)

* **Warranty conditions** vary according to gate or door application and usage. See full Warranty details and limitations on D&D Technologies' website. Gate mounting brackets included with hinge. Post-mounting brackets sold separately. Fasteners not included.

**Use only "SF" model (safety) closers on pool/safety gates. In Australia, hinges must be at least 36" (900mm) apart so they cannot be used as footholds by toddlers.

Gate Function

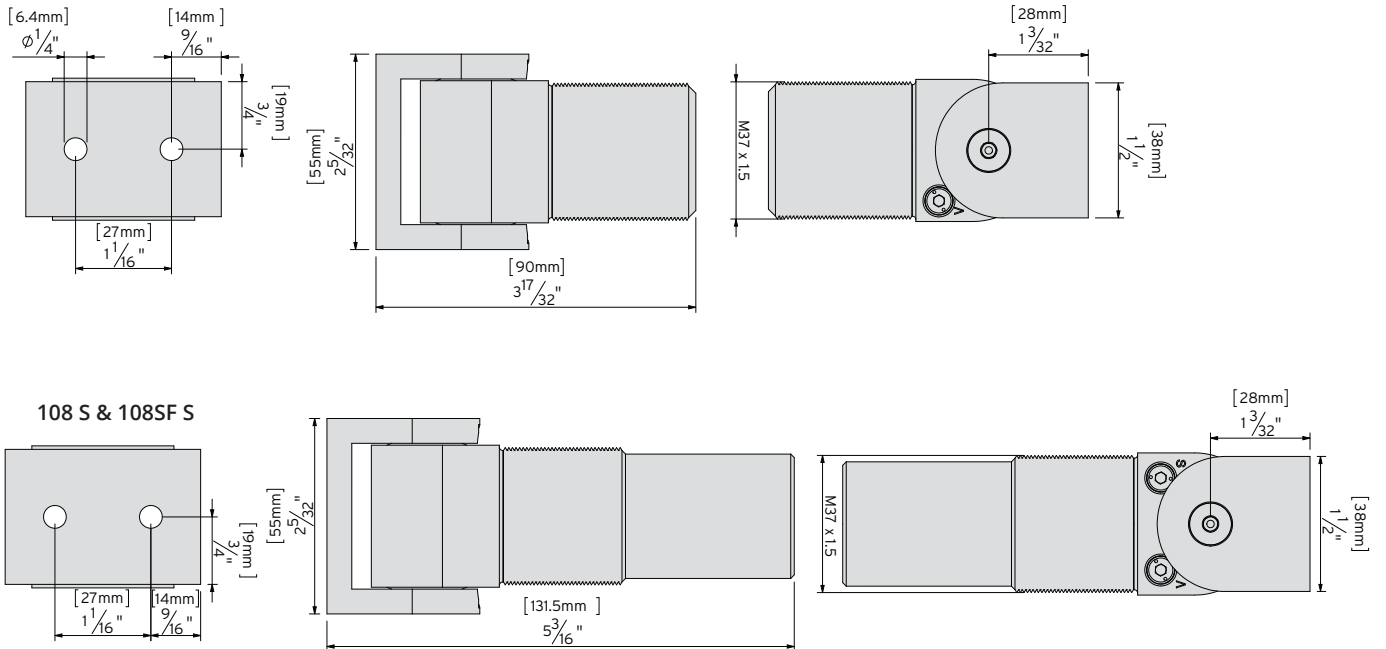
■ Hold-open
Not for safety gates

■ Self-closing
Speed adjustable

■ Final snap-close action
For electric/coded locks

<p>Center Mount Brackets</p> <table border="1"> <thead> <tr> <th>Models</th> <th>Bracket Material</th> </tr> </thead> <tbody> <tr> <td>75108114M</td> <td>Steel</td> </tr> <tr> <td>75108113M</td> <td>Aluminum</td> </tr> </tbody> </table> <p>SELF-CLOSING - NON SAFETY <i>Not suitable for child/pool safety</i></p> <p>Use post bracket: 7526 Steel 7511 Aluminum 7512 Aluminum 7514 Aluminum</p> <p>Center Mount: Center of gate and post are aligned.</p>	Models	Bracket Material	75108114M	Steel	75108113M	Aluminum	<p>Center Mount Brackets</p> <table border="1"> <thead> <tr> <th>Models</th> <th>Bracket Material</th> </tr> </thead> <tbody> <tr> <td>75108124M</td> <td>Steel</td> </tr> <tr> <td>75108123M</td> <td>Aluminum</td> </tr> </tbody> </table> <p>SELF-CLOSING - SAFETY (SF model) <i>Suitable for child/pool safety*</i> DO NOT PROP GATE OPEN</p> <p>Center Mount: Center of gate and post are aligned.</p> <p>Use post bracket: 7526 Steel 7511 Aluminum 7512 Aluminum 7514 Aluminum</p> <p>CAUTION: When used on swimming pool gates, always consult local authorities for swimming pool Codes. A gate-stop MUST be installed when using SF models. Gate MUST NOT be allowed to open past 90°. Doing so voids warranty.</p>	Models	Bracket Material	75108124M	Steel	75108123M	Aluminum
Models	Bracket Material												
75108114M	Steel												
75108113M	Aluminum												
Models	Bracket Material												
75108124M	Steel												
75108123M	Aluminum												
<p>Center Mount Brackets</p> <table border="1"> <thead> <tr> <th>Models</th> <th>Bracket Material</th> </tr> </thead> <tbody> <tr> <td>75057114M</td> <td>Steel</td> </tr> <tr> <td>75057113M</td> <td>Aluminum</td> </tr> </tbody> </table> <p>SELF-CLOSING - NON SAFETY <i>Not suitable for child/pool safety</i></p> <p>Use post bracket: 7526 Steel 7511 Aluminum 7512 Aluminum 7514 Aluminum</p> <p>Center Mount: Center of gate and post are aligned.</p>	Models	Bracket Material	75057114M	Steel	75057113M	Aluminum	<p>Center Mount Brackets</p> <table border="1"> <thead> <tr> <th>Models</th> <th>Bracket Material</th> </tr> </thead> <tbody> <tr> <td>75057124M</td> <td>Steel</td> </tr> <tr> <td>75057123M</td> <td>Aluminum</td> </tr> </tbody> </table> <p>SELF-CLOSING - SAFETY (SF model) <i>Suitable for child/pool safety*</i> DO NOT PROP GATE OPEN</p> <p>Center Mount: Center of gate and post are aligned.</p> <p>Use post bracket: 7526 Steel 7511 Aluminum 7512 Aluminum 7514 Aluminum</p> <p>CAUTION: When used on swimming pool gates, always consult local authorities for swimming pool Codes. A gate-stop MUST be installed when using SF models. Gate MUST NOT be allowed to open past 90°. Doing so voids warranty.</p>	Models	Bracket Material	75057124M	Steel	75057123M	Aluminum
Models	Bracket Material												
75057114M	Steel												
75057113M	Aluminum												
Models	Bracket Material												
75057124M	Steel												
75057123M	Aluminum												

SM S & 57 S & 57SF S



D[®] SUREClose[®] CONCEALFit

World's only concealed Door or Gate Closer & Hinge all-in-one

- Powerful, hidden hydraulic closure
- Concealed hydraulics (don't need to add fluid)
- Easily accessed, adjustable self-closing and self-latching speed valves
- Concealed mechanisms for a stylish, clean, distinctive look and burglary resistance
- Easily installed internally - within the door or frame
- Decorative dress covers included
- Tested to over 500,000 open-close cycles
- Suitable for ADA applications, certified DDA use
- 20-minute UL10C & cUL10C fire rating (Intertek W/N 22217)
- Quietly, self-closes doors up to 220 lbs (100kg)



ONE PAIR, CLOSER + HINGE COMBINATION	
Maximum Door/Gate Weight	220 lbs (100kg)
Maximum Door/Gate Width	48" (1220mm)
Minimum Door/Gate Thickness	1 5/8" (40mm)
Maximum Opening Angle	125°
Final snap-close action	12°-0°



77108523
CLOSER + HINGE

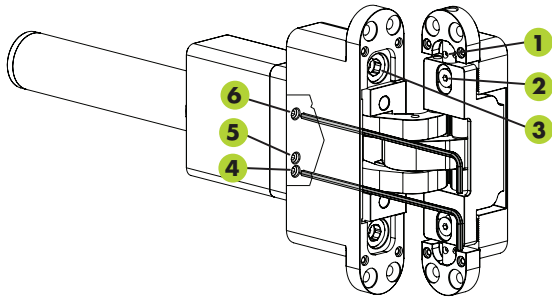
78108513
PLAIN PIVOT HINGE

CODE	MODEL	MAX DOOR OPENING	ADJUSTABLE CLOSING SPEED	FINAL SNAP-CLOSE ACTION	VERTICAL (DOOR HEIGHT) ADJUSTABILITY	DEPTH & INCLINATION ADJUSTABILITY	MAX. SELF-CLOSING WEIGHT
77108523	SureClose [®] CONCEALFIT KIT (Hinge/Closer + Hinge Only)	125°	Yes	Yes (12°-0°)	+/- 5/64" (2mm)	5/64"-1/4" (2-6mm)	220 lb (100kg)
78108513	Hinge (Single Unit)	125°	No	No	+/- 5/64" (2mm)	5/64"-1/4" (2-6mm)	N/A
7801	Drill Jig for timber doors	Constructed from hardened steel with black phosphate coating					

* **Warranty conditions** vary according to door or gate application and usage. See full Warranty details and limitations on D&D Technologies' website. Door reinforcement hardware available for hollow-core doors.

Routing templates and drill jig available for wood doors and frames. Weld boxes available for metal gates.

Adjustment valves for precise installation

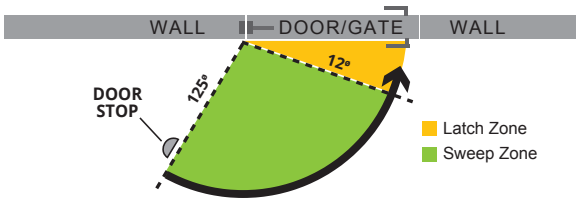


6 DIFFERENT ADJUSTMENTS FOR PERFECT INSTALLATION

REF	ADJUSTMENT	UNIT	RANGE
1	Door Height (Vertical)	Both	+/- 5/64" (2mm) with 3/64" (1.25mm) steps
2	Lateral	Both	+/- 3/64" (1.25mm)
3	Depth and Inclination	Both	Gap between post and door leaf is adjustable from 5/64" - 1/4" (2-6mm)
4	Door Latching Speed	Closer	Between 12°-0°
5	Door Sweep Opening Angle	Closer	Steps at 60°, 80°, 100° and 125°
6	Door Sweep Closing Speed	Closer	125° to 0°

STRONG, SELF-CLOSING PERFORMANCE

Product Code | Description
77108523 | Hydraulic Closer With a Plain Hinge



* **CAUTION:** A floor-mounted **DOOR STOP** is required to prevent a door/gate opening beyond 125° (see above diagram). Forcing a door/gate beyond a 125° opening may damage closer and door/gate frame. Failure to install a Door Stop where required may void Warranty.

Weld Box for gates available in Aluminum or Steel



A Post-side Box for closer & hinge

Aluminum
7813S



Steel
7823S



B Gate-side Box for pivot hinge

Aluminum
7812S



Steel
7822S



C Gate-side Box for hinge-closer

Aluminum
7811S



Steel
7821S



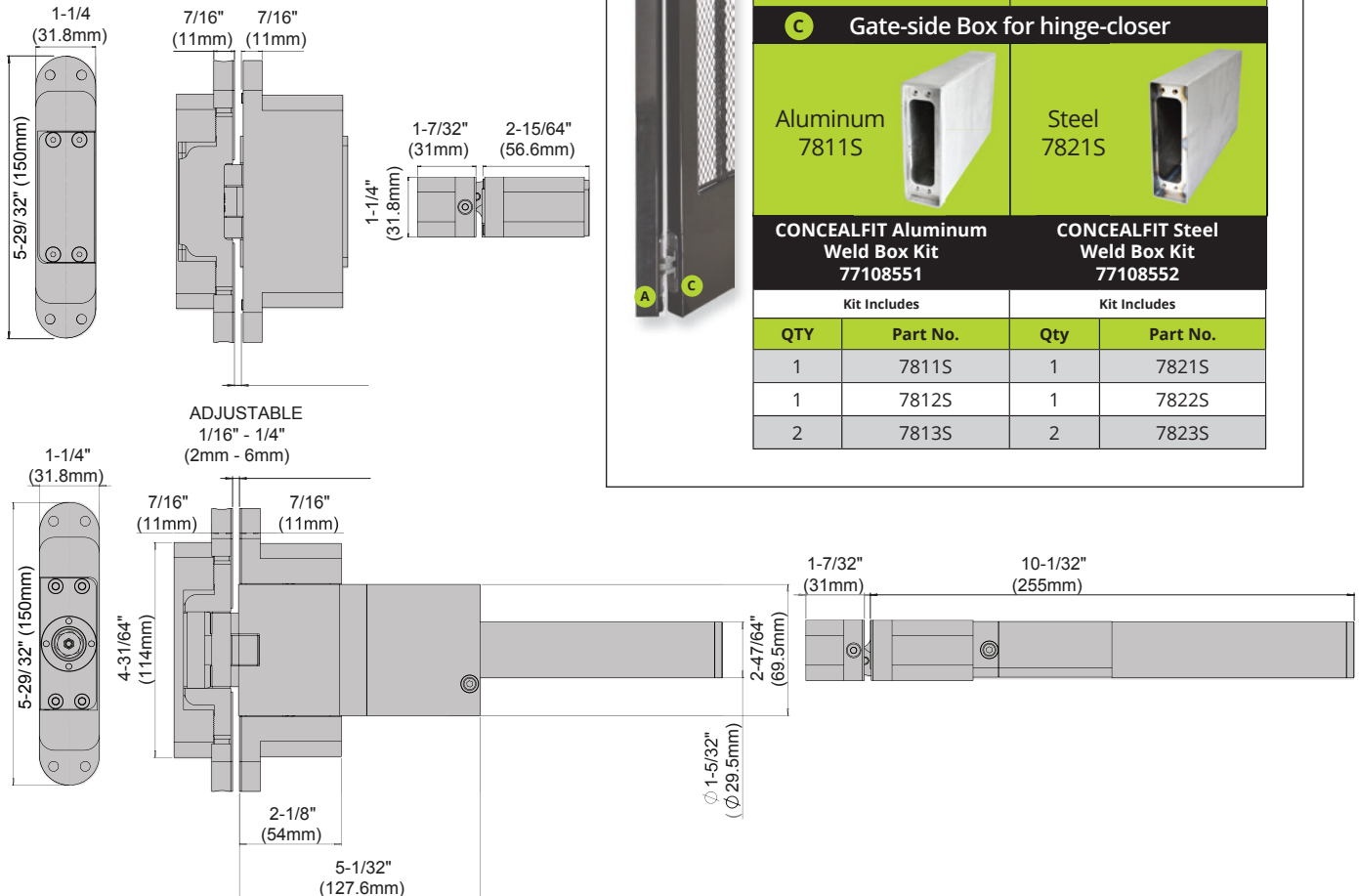
**CONCEALFIT Aluminum
Weld Box Kit
77108551**

**CONCEALFIT Steel
Weld Box Kit
77108552**

Kit Includes

Kit Includes

QTY	Part No.	Qty	Part No.
1	7811S	1	7821S
1	7812S	1	7822S
2	7813S	2	7823S



D[®] SUREClose[®] EASY

Hydraulic, Gate Closer for Center-Hinge Mounted Gates

- Add-on hydraulic closer - mounts to top of gate
- Adjustable self-closing speed & final snap action
- Can be used with most center-mounted hinges
- Self-closes gates up to 180 lb (80kg)
- Horizontally adjusts: up to 4" (100mm) gate gaps
- Opens to, and self-closes from, 90° (no hold-open)
- Maintenance-free: never need to add fluid
- High corrosion resistance - 50-micron anodizing
- Includes gate and post mounting brackets
- Suitable for ADA use



CODE*	MODEL	DESCRIPTION
72108423	SC 108SF S**	Gate Closer - Aluminum Brackets

1 3/16" - 1 7/8"
(30-48mm)

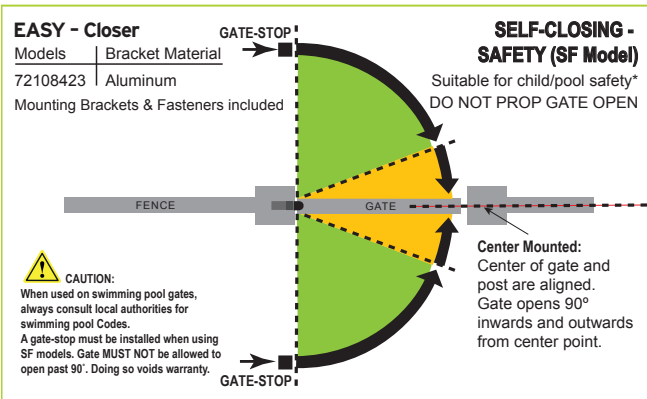
2" - 4"
(50-100mm)

Hinge pivot point and gate gap must fall within this range

SureClose[®] EASY closer seen on gate with a Shut-It[®] weld-on hinge



Gate Function

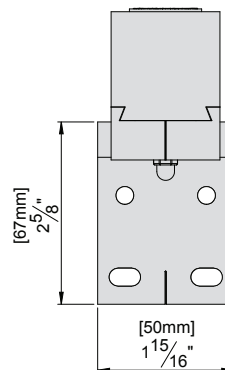
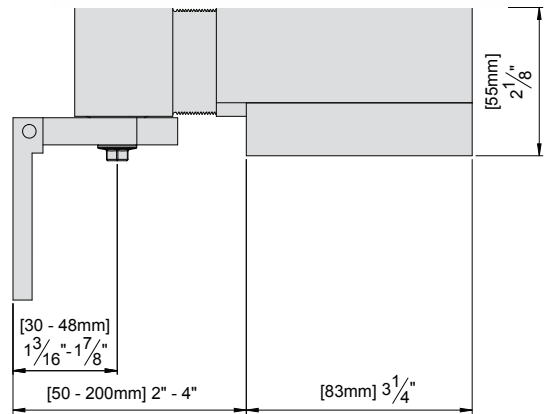
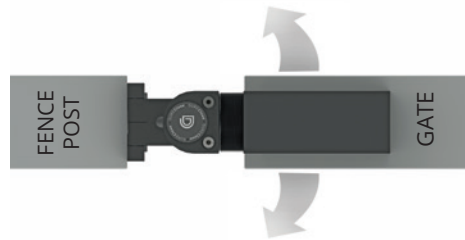


- Self-closing Speed adjustable
- Final snap-close action For electric/coded locks

GATE WIDTH	MAX SELF-CLOSING GATE WEIGHT
40" (1000mm) wide	176 lb (80kg)
48" (1200mm) wide	132 lb (60kg)

CAUTION: Based on max. gate width 40"W (1000mm) and 48"W (1200mm). For gates with greater W, or if weather conditions such as wind play a significant role, use a different model of SureClose[®] hinge + closer combination with higher self-closing weight ratings.
CAUTION: A gate-stop MUST be installed when using SF models. Gate MUST NOT be allowed to open past 90°. Doing so voids warranty.
*All EASY closers include fasteners, gate and post mounting brackets.

* **Warranty conditions** vary according to gate or door application and usage. See full Warranty details and limitations on D&D Technologies' website.
All EASY closers include fasteners, gate and post mounting brackets.
****Yes (SF)** = Gate will not hold open at 90° (OK for safety gates). Do NOT use a hinge with a 90° hold-open feature (-) for pool/child safety gates.



Heavy duty hinges tested to over 1 million cycles. Adjustable and powder-coatable.

Heavy duty shaft (bolt)

On all hinges; gives the highest weight rating in the industry

Zinc electroplating

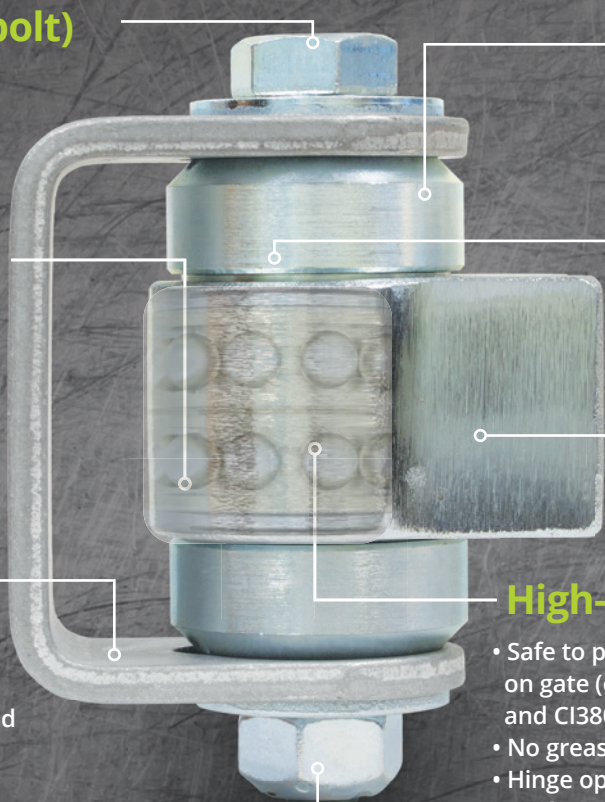
- Inhibits rust and corrosion
- No need to grind off before welding
- On all components except stainless steel, aluminum and 'rusted look'

Post bracket

- Horizontally adjustable for accurate installations
- Precision machining that fully utilizes the adjustment slots and maximizes welding surfaces

Unique Stover™ locknut

- Innovative, shaped threads provide a vibration-resistant friction fit so nut stays firm
- Top thread section is deformed to create two or three locking zones (can be re-used 2-3 times)
- All-metal locknuts withstand higher temperatures than nylon-insert locknuts



Precision bushing

Distributes gate load for optimal performance and longer life

Tightest tolerances in the industry

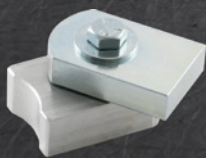
- CNC machined to perfection
- Virtually frictionless rotation

Hinge Body (on gate)

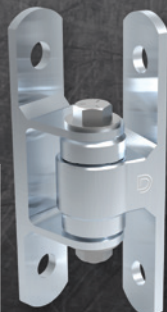
- Fits round or flat surfaces
- Decorative, brushed finish

High-temp sealed bearings

- Safe to powder-coat with hinges installed on gate (excluding CI3850 self-closing hinge and CI3800 Stainless Steel BadAss)
- No greasing, no maintenance.
- Hinge options with 1, 2, 3 or 4 bearings
- Performs better than roller cages that require periodic greasing



Baby BadAss™ CI3600
1 Sealed Bearing



Bolt-On BadAss™ CI3700
2 Sealed Bearings



Self-Closing CI3850
3 Sealed Bearings



BadAss™ Strap Hinge
4 Sealed Bearings



BOLT-ON BADASS™ RANGE

CODE	PRODUCT DESCRIPTION	**GAP VARIANCE	FINISH	BEARINGS	MAX GATE WEIGHT	YOKE MATERIAL	BODY MATERIAL	HINGE HEIGHT
CI3750	Baby Bolt-on	3"-3½" (76-89mm)	Zinc Electroplated	1	300 lb (140kg)	Steel	Steel	4" (102mm)
CI3750B	Powder coat Baby Bolt-on	3"-3½" (76-89mm)	Matt Black	1	300 lb (140kg)	Steel	Steel	4" (102mm)
CI3770	Half Bolt-on	2¾"-3½" (67-80mm)	Zinc Electroplated	2	1,000 lb (450kg)	Steel	Steel	7½" (191mm)
CI3780	Steel/Aluminum Half Bolt-On	2¾"-3½" (67-80mm)	Zinc Electroplated /Unfinished	2	600 lb (270kg)	Steel	Alum	7½" (191mm)
CI3700	Bolt-on	2½"-3¾" (74-86mm)	Zinc Electroplated	2	1,000 lb (450kg)	Steel	Steel	7½" (191mm)
CI3700B	Powder coat Bolt-on	2½"-3¾" (74-86mm)	Matt Black	2	1,000 lb (450kg)	Steel	Steel	7½" (191mm)
CI3720	Face Mount Bolt-on	½"-1" (13-25mm)	Zinc Electroplated	2	1,000 lb (450kg)	Steel	Steel	7½" (191mm)
CI3720B	Powder coat Face Mount Bolt-on	½"-1" (13-25mm)	Matt Black	2	1,000 lb (450kg)	Steel	Steel	7½" (191mm)
CI3740A	4" (102mm) Aluminum Half Bolt-on	3 ¼" - 3 ¾" (73-86 mm)	Unfinished	2	600 lb (270kg)	Alum	Alum	6" (152mm)
CI3740	4" (102mm) Combo Steel/Alum Half Bolt-on	3 ¼" - 3 ¾" (73-86 mm)	Zinc Electroplated /Unfinished	2	600 lb (270kg)	Steel	Alum	6" (152mm)
CI3760A	6" (152mm) Aluminum Body Half Bolt-on	3 ¼" - 3 ¾" (73-86 mm)	Unfinished	2	600 lb (270kg)	Alum	Alum	6" (152mm)
CI3950	Barrel Hinge – Bolt or weld-on	Fixed ½" (13mm)	Zinc Electroplated	4	1,500 lb (680kg)	Steel	Steel	6" (152mm)
CI2051	4" (102mm) Round Bolt-on	2¾"-3¾" (70-81mm)	Zinc Electroplated	2	1,000 lb (450kg)	Steel	Steel	7½" (191mm)
CI2053	6" (152mm) Round Bolt-on	2¾"-3¾" (70-81mm)	Zinc Electroplated	2	1,000 lb (450kg)	Steel	Steel	7½" (191mm)
CI2054	8" (203mm) Round Bolt-on	2¾"-3¾" (70-81mm)	Zinc Electroplated	2	1,000 lb (450kg)	Steel	Steel	7½" (191mm)



SELF-CLOSING BADASS™ RANGE (SC)

CODE	PRODUCT DESCRIPTION	**GAP VARIANCE	FINISH	BEARINGS	MAX SC GATE WEIGHT	YOKE MATERIAL	BODY MATERIAL	HINGE HEIGHT
CI3825	Hinge/Closer, Center Mount, Weld-on	2½"-3" (64-76mm)	Zinc Electroplated	3	*440 lb (200kg)	Steel	Steel	5" (127mm)
CI3850	Set – Closer + Hinge, Center Mount, Weld-on	2½"-3" (64-76mm)	Zinc Electroplated	3/2	300 lb (140kg)	Steel	Steel	5"/3¼" 127/97mm
CI3825R	Hinge/Closer, Center Mount, Round Yoke	2¾"-2½" (61-74mm)	Zinc Electroplated	3	*440 lb (200kg)	Steel	Steel	7½" (191mm)
CI3850R	Set – Closer + Hinge, Center Mount, Weld-on	2¾"-2½" (61-74mm)	Zinc Electroplated	3/2	300 lb (140kg)	Steel	Steel	7½"/ 3¾" (191/97mm)
CI3825FM	Hinge/Closer, 180° Face Mount, Weld-On	½"-1" (13-25mm)	Zinc Electroplated	3	*440 lb (200kg)	Steel	Steel	6" (152mm)
CI3850FM	Set – Closer + Hinge, 180° Face Mount, Weld-on	½"-1" (13-25mm)	Zinc Electroplated	3/2	300 lb (140kg)	Steel	Steel	7½"/ 6" (191/152mm)
CI3835	Hinge/Closer, Center-Mount, Bolt-On	2½"-3¾" (74-86mm)	Zinc Electroplated	3	*440 lb (200kg)	Steel	Steel	8 ⅓" (220mm)
CI3860	Set – Closer + Hinge, Center-Mount, Bolt-On	2½"-3¾" (74-86mm)	Zinc Electroplated	3/2	300 lb (140kg)	Steel	Steel	8 ⅓"/ 7½" (220/191mm)
CI3835FM	Hinge/Closer, 180° Face Mount, Bolt-On	½"-1" (13-25mm)	Zinc Electroplated	3	*440 lb (200kg)	Steel	Steel	8 ⅓" (220mm)
CI3860FM	Set – Closer + Hinge, 180° Face Mount, Bolt-On	½"-1" (13-25mm)	Zinc Electroplated	3/2	300 lb (140kg)	Steel	Steel	8 ⅓"/ 7½" (220/191mm)

* Max self-closing weight of 440lb (200kg) is with 2 hinge/closers mounted to gate frame. † Set comes with one self-closing hinge plus one CI3000.



ELD-ON BADASS™ RANGE

CODE	PRODUCT DESCRIPTION	**GAP VARIANCE	FINISH	BEARINGS	MAX GATE WEIGHT	YOKE MATERIAL	BODY MATERIAL	HINGE HEIGHT
CI3600	Baby Steel to Steel	2½"-3" (64-76mm)	Zinc Electroplated	1	300 lb (140kg)	Steel	Steel	1¾" (33mm)
CI3620	Baby BadAss™ Rusted	2½"-3" (64-76mm)	Unfinished	1	300 lb (140kg)	Steel	Steel	1¾" (33mm)
CI3650	Baby Aluminum to Aluminum	2½"-3" (64-76mm)	Unfinished	1	300 lb (140kg)	Alum	Alum	1¾" (33mm)
CI3670	Baby Steel/Aluminum Combo	2½"-3" (64-76mm)	Zinc Electroplated /Unfinished	1	300 lb (140kg)	Steel	Alum	1¾" (33mm)
CI3200	Alum/Steel Combo	2¾"-2⅞" (61-74mm)	Unfinished/ Zinc Electroplated	2	600 lb (270kg)	Alum	Steel	3¾" (97mm)
CI3300	Steel/Alum Combo	2¾"-2⅞" (61-74mm)	Zinc Electroplated /Unfinished	2	600 lb (270kg)	Steel	Alum	3¾" (97mm)
CI3400	Aluminum	2¾"-2⅞" (61-74mm)	Unfinished	2	600 lb (270kg)	Alum	Alum	3¾" (97mm)
CI3800	Stainless Steel †	2¾"-2⅞" (61-74mm)	304 Stainless	2	1,000 lb (450kg)	Stainless	Stainless	3¾" (97mm)
CI3000	The Original	2¾"-2⅞" (61-74mm)	Zinc Electroplated	2	1,000 lb (450kg)	Steel	Steel	3¾" (97mm)
CI3100	Original BadAss™ Rusted	2¾"-2⅞" (61-74mm)	Unfinished	2	1,000 lb (450kg)	Steel	Steel	3¾" (97mm)
CI3000R	Center Mount, Round Pivot Hinge (Pair)	2¾"-2⅞" (61-74mm)	Zinc Electroplated	2/2	1,000 lb (450kg)	Steel	Steel	3¾" (97mm)
CI3500	Heavy Duty	2¾"-2⅞" (61-74mm)	Zinc Electroplated	3	1,500 lb (680kg)	Steel	Steel	3¾" (97mm)
CI3520	100 Year	2½"-3" (64-76mm)	Zinc Electroplated	3	1,500 lb (680kg)	Steel	Steel	4¼" (104mm)
CI3075	VersaWeld™	Fixed 2¾" (70mm)	Zinc Electroplated	2	1,000 lb (450kg)	Steel	Steel	3¾" (95mm)
CI3050	Face Mount Weld-on	½"-1" (13-25mm)	Zinc Electroplated	2	1,000 lb (450kg)	Steel	Steel	3¾" (98mm)
CI3900	152mm (6") Strap Hinge	Fixed ½" (13mm)	Zinc Electroplated	4	1,500 lb (680kg)	Steel	Steel	6" (150mm)
CI3925	254mm (10") Strap Hinge	Fixed ½" (13mm)	Zinc Electroplated	4	1,500 lb (680kg)	Steel	Steel	6" (150mm)
CI3975	Uphill Strap Hinge Set Includes 1x CI3900 + 1x CI3925	Fixed ½" (13mm)	Zinc Electroplated	4/4	1,500 lb (680kg)	Steel	Steel	6" (150mm)

**Adjustable yoke for perfect installations. † All components, including the sealed bearings, are stainless steel. All weight ratings are based upon two hinges.



ADA Standards 404.2.8.2 Spring Hinges.

Door and gate spring hinges shall be adjusted so that, from the open position of 70 degrees, the door or gate shall move to the closed position in 1.5 seconds minimum.

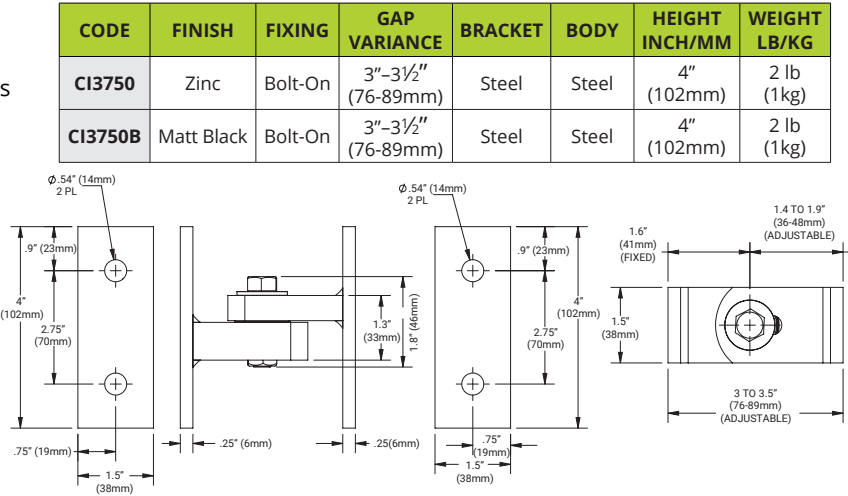
Bolt-On Range

Baby Bolt-on - Steel to Steel

- Suits metal residential or small commercial gates
- One sealed maintenance-free bearing
- Horizontally adjustable for precise installations
- Flat, bolt-on brackets for through-bolting
- **Maximum gate weight: 300 lb (140kg)**

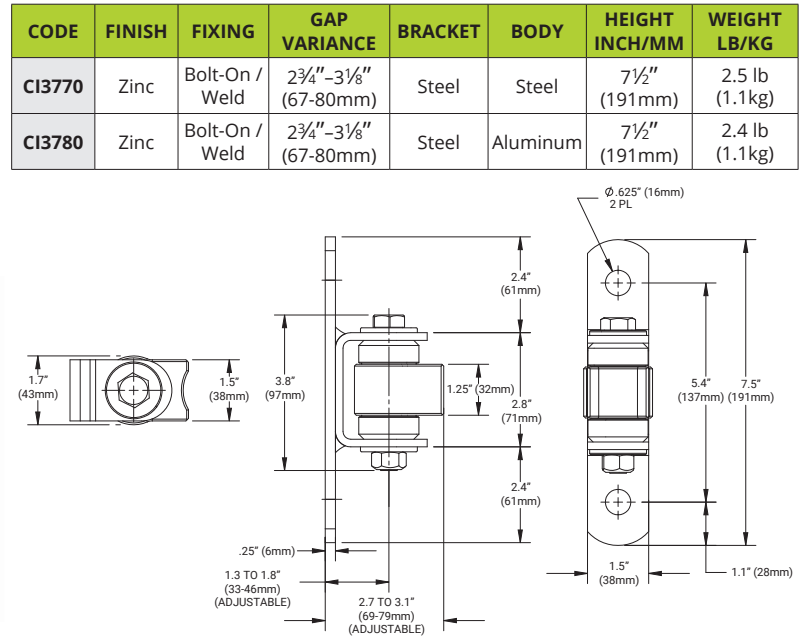


NEW PRODUCT



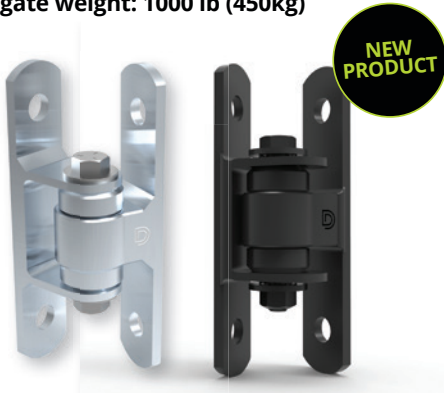
CI3770 Half Bolt-on - Steel to Steel CI3780 Half Bolt-on - Steel to Aluminum

- Designed to bolt on to an end post
- Two sealed maintenance-free bearings
- Horizontally adjustable for precise installations
- Flat, bolt-on brackets for through-bolting
- **CI3770 Maximum gate weight: 1000 lb (450kg)**
- **CI3780 Maximum gate weight: 600 lb (270kg)**

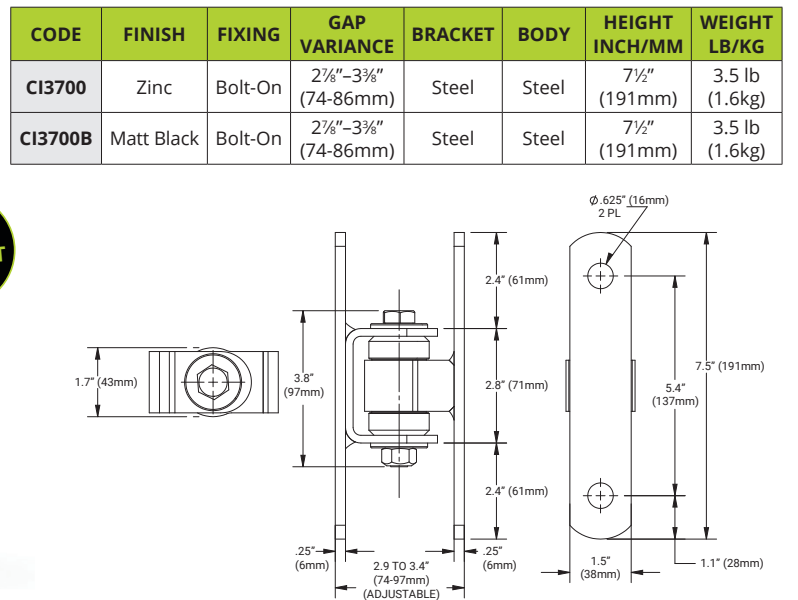


Bolt-on - Steel to Steel

- Designed to bolt on to an end post
- Two sealed maintenance-free bearings
- Horizontally adjustable for precise installations
- Flat, bolt-on brackets for through-bolting
- **Maximum gate weight: 1000 lb (450kg)**



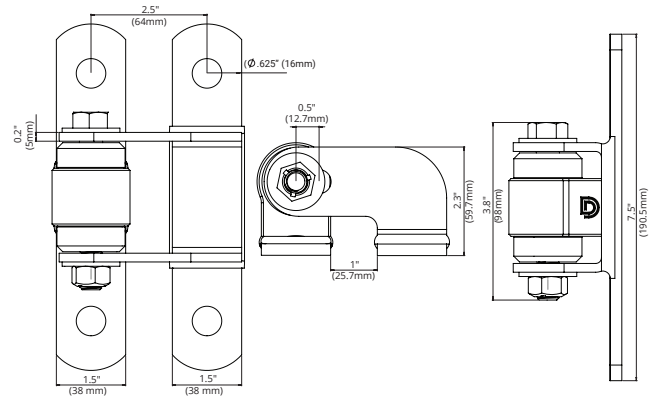
NEW PRODUCT



CI3720 Face Mount Bolt-on – Steel to Steel

- Achieve gate gaps as small as 1/2" (13mm)
- No maintenance, smooth operation
- Offers a full 180° gate opening
- Adjustable bracket for round or square posts
- Flat, bolt-on brackets for through-bolting
- **Maximum gate weight: 1000 lb (450kg)**

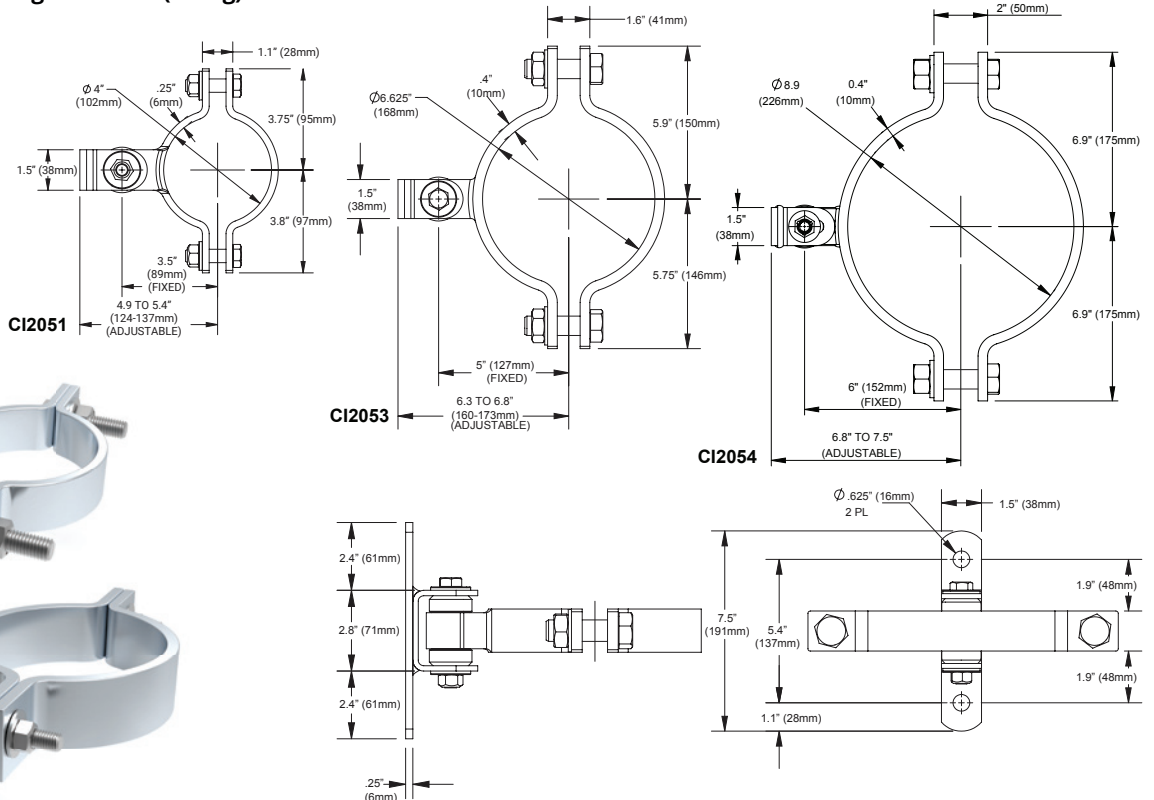
CODE	FINISH	FIXING	GAP VARIANCE	BRACKET	BODY	HEIGHT INCH/MM	WEIGHT LB/KG
CI3720	Zinc	Bolt-On	1/2"-1" (13-25mm)	Steel	Steel	7 1/2" (191mm)	3.8 lb (1.7kg)
CI3720B	Matt Black	Bolt-On	1/2"-1" (13-25mm)	Steel	Steel	7 1/2" (191mm)	3.8 lb (1.7kg)



CI2051 Round Bolt-on 4" (102mm) CI2053 Round Bolt-on 6" (152mm) CI2054 Round Bolt-on 8" (203mm)

- Clamps to round post and bolts to flat post
- Two sealed maintenance-free bearings
- Horizontally adjustable for precise installations
- Flat, bolt-on brackets for through-bolting
- **Maximum gate weight: 1000 lb (450kg)**

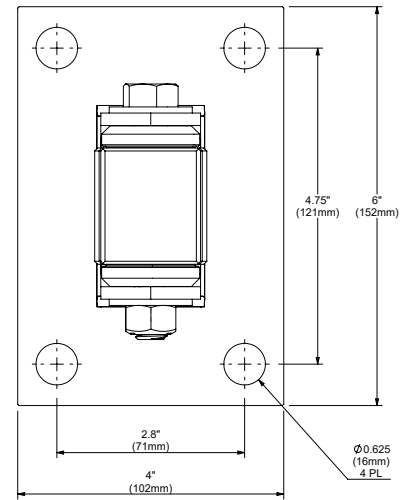
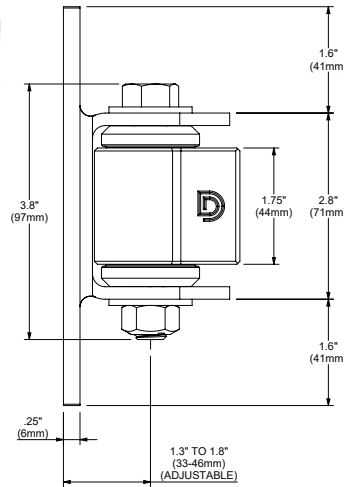
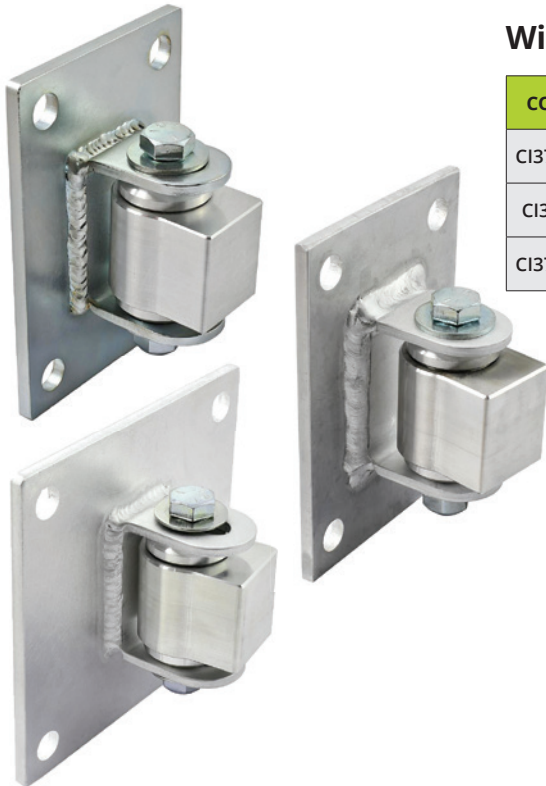
CODE	FINISH	FIXING	GAP VARIANCE	BRACKET	BODY	HEIGHT INCH/MM	WEIGHT LB/KG
CI2051	Zinc	Bolt-On	2 3/4"-3 3/16" (70-81mm)	Steel	Steel	7 1/2" (191mm)	5 lb (2.3kg)
CI2053	Zinc	Bolt-On	2 3/4"-3 3/16" (70-81mm)	Steel	Steel	7 1/2" (191mm)	10 lb (4.5kg)
CI2054	Zinc	Bolt-On	2 3/4"-3 3/16" (70-81mm)	Steel	Steel	9 1/2" (241mm)	15 lb (6.8kg)



Bolt-On Range

Wide Bracket, Half Bolt-on/Weld-on Hinges

CODE	FINISH	FIXING	GAP VARIANCE	BRACKET	BODY	HEIGHT INCH/MM	WEIGHT LB/KG
CI3740A	Unfinished	Bolt-on/Weld	3¼"-3¾" (73-86mm)	Aluminum	Aluminum	6" (152mm)	3 lb (1.36kg)
CI3740	Zinc/Unfinished	Bolt-on/Weld	3¼"-3¾" (73-86mm)	Steel	Aluminum	6" (152mm)	4 lb (1.8kg)
CI3760A	Unfinished	Bolt-on/Weld	3¼"-3¾" (73-86mm)	Aluminum	Aluminum	6" (152mm)	4 lb (1.8kg)

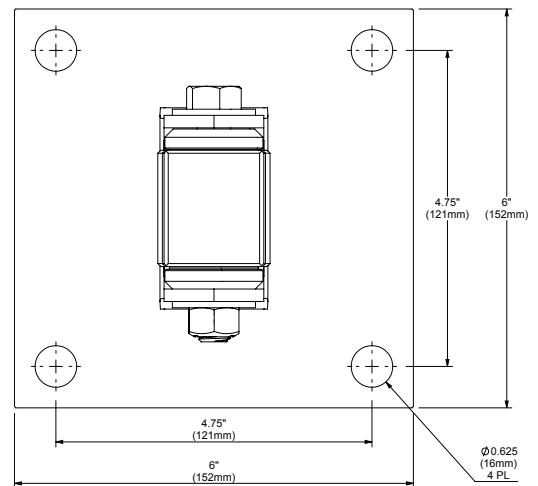


CI3740 – 4" (102mm) Combo Steel /Aluminum Body Half Bolt-on CI3740A – 4" (102mm) Aluminum Half Bolt-on

Made to bolt/weld to 4" or 5" (102 - 127mm) posts

CI3760A – 6" (152mm) Aluminum Body Half Bolt-on

Made to bolt or weld to 6" (152mm) or larger fence posts

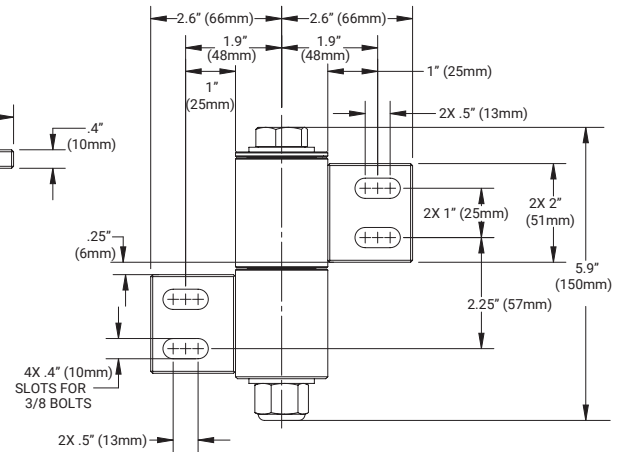
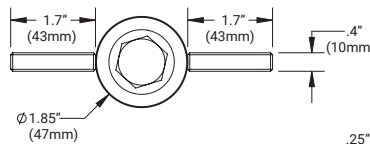
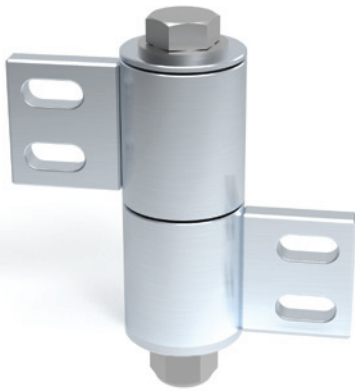


- Wider brackets enable anchor points to be positioned at the sides, rather than center of fence post
- Side mounting reduces flex, preventing fatigue in post
- High-temperature sealed bearings - safe to powder-coat with hinges installed on gate
- No greasing, no maintenance – ever!
- Precision bushing - distributes gate load for optimal performance and longer life
- CNC machined to perfection for near frictionless movement
- **Maximum Gate Load: 1,000 lb (450kg)**
- **Maximum Gate Weight: 600 lb (270kg)**

CI3950 Barrel Bolt/Weld-on – Steel to Steel

- The strongest, most versatile metal-gate hinge on the market
- Bolt-on or weld-on models for heavy duty gates
- Four sealed maintenance-free bearings
- Offers a full 180° gate opening
- Gate gap fixed at 1/2" or 3/2" (13mm or 89 mm) depending on mounting
- **Maximum gate weight: 1500 lb (680kg)**

CODE	FINISH	FIXING	GAP VARIANCE	BRACKET	BODY	HEIGHT INCH/MM	WEIGHT LB/KG
CI3950	Zinc	Bolt-On	Fixed 1/2" or 3/2" (13 or 89mm)	Steel	Steel	5 7/8" (150mm)	4.0 lb (1.8kg)



Choosing the correct Shut-It® hinges for your gate

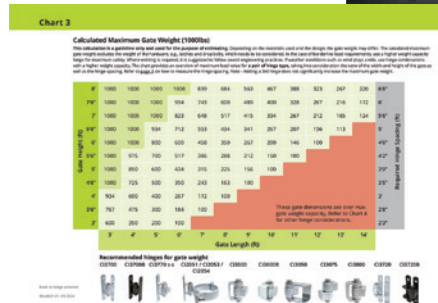
D&D has set up a series of charts to help choose the correct pair of Shut It® hinges depending on the size, material and weight of a gate.

The calculated gate weight charts are based on a symmetrical gate design where the center of gravity can be determined.

This calculation is a guideline only and used for the purpose of estimating. Depending on the materials used and the design, the gate weight may differ.

The calculated maximum gate weight excludes the weight of the hardware, e.g., latches and drop bolts, which needs to be considered. In the case of borderline load requirements, use a higher weight capacity hinge for maximum safety.

Where welding is required, it is suggested to follow sound engineering practices. If weather conditions such as wind plays a role, use hinge combinations with a higher weight capacity. The chart provides an overview of maximum load value for a pair of hinge type, taking into consideration the ratio of the width and height of the gate as well as the hinge spacing.



IMPERIAL CHARTS

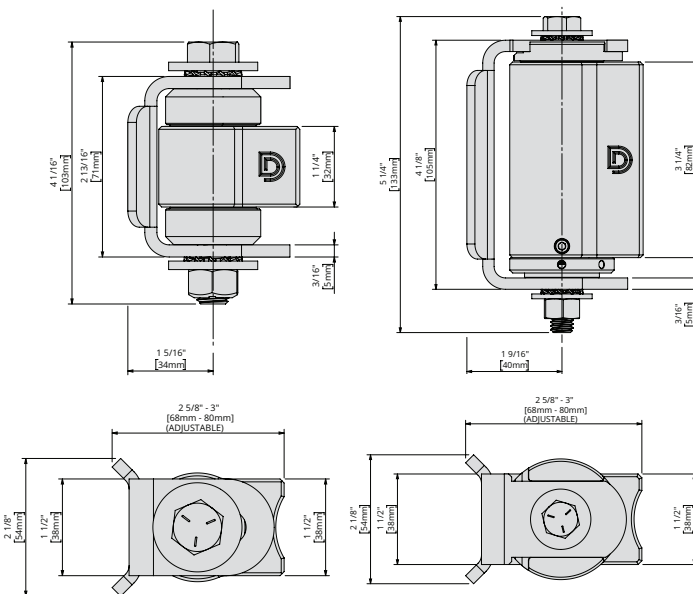
METRIC CHARTS

Self-Closing Range

CI3825 Weld-On, Closer CI3850 Weld-On, SC Set

- Set contains CI3825 + CI3000
- Suits restricted-access and industrial gates
- Eliminates the need to fit a gate closer
- Installation must include a gate-stop or latch/lock
- 5 tension-adjustment settings (inc. bracket)
- **Max self-closing weight: 300 lb (140kg) (CI3850 set)**
- **Max self-closing weight: 440 lb (200kg) (2 x CI3825)**

CODE	FINISH	FIXING	GAP VARIANCE	BRACKET	BODY	HEIGHT INCH/MM
CI3825	Zinc	Weld-on	2½"-3" (64-76mm)	Steel	Steel	5" (152mm)
CI3850 (Set)	Zinc	Weld-on	2½"-3" (64-76mm)	Steel	Steel	5"/3¼" 127/97mm



CI3825R Center Mount, Round Post, Closer CI3850R Center Mount, Round Post, SC Set

- Set contains CI3825R + CI3000R
- Post and frame mounting brackets are concaved
- Easy weld-on installation for round posts
- Eliminates the need to fit a gate closer
- 5 tension adjustment settings
- **Max self-closing weight: 300 lb (140kg) (CI3850R set)**
- **Max self-closing weight: 440 lb (200kg) (2 x CI3825R)**

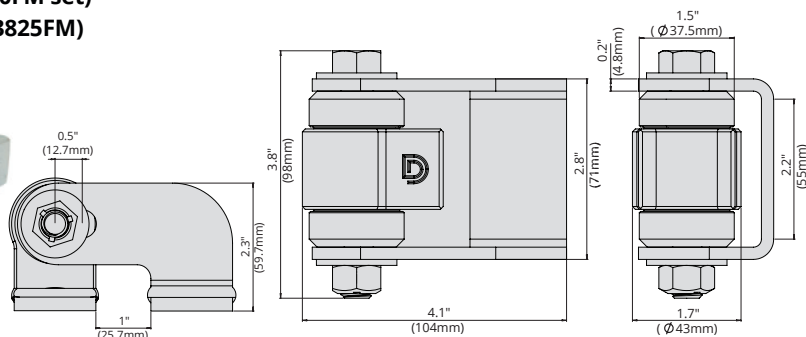
CODE	FINISH	FIXING	GAP VARIANCE	BRACKET	BODY	HEIGHT INCH/MM
CI3825R	Zinc	Weld-on	2¾"-2⅞" (61-74mm)	Steel	Steel	7½" (191mm)
CI3850R (Set)	Zinc	Weld-on	2¾"-2⅞" (61-74mm)	Steel	Steel	7½"/ 3¼" (191/97mm)



CI3825FM Weld-on, Face-Mount, Closer CI3850FM Weld-on, Face-Mount, SC Set

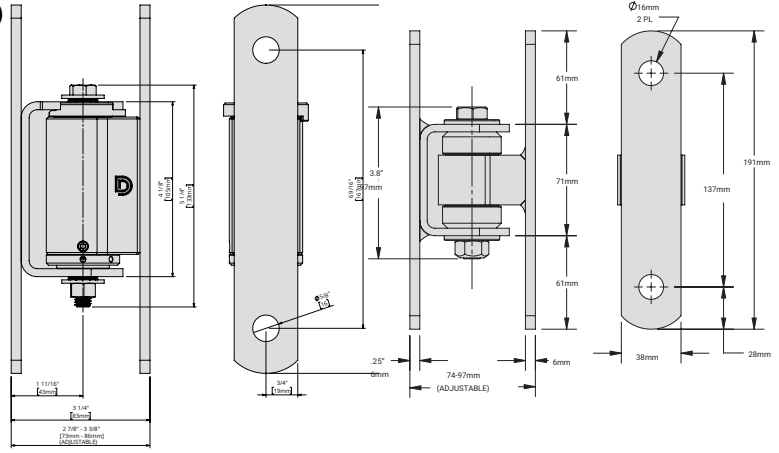
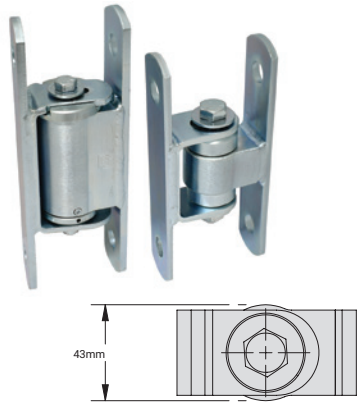
- Set contains CI3825FM + CI3050
- Offers a 180° gate opening for unobstructed passage
- Horizontally adjustable from 13mm to 25mm
- Quiet and smooth operation
- **Max self-closing weight: 300 lb (140kg) (CI3850FM set)**
- **Max self-closing weight: 440 lb (200kg) (2 x CI3825FM)**

CODE	FINISH	FIXING	GAP VARIANCE	BRACKET	BODY	HEIGHT INCH/MM
CI3825FM	Zinc	Weld-on	½"-1" (13-25mm)	Steel	Steel	6" (152mm)
CI3850FM	Zinc	Weld-on	½"-1" (13-25mm)	Steel	Steel	7½"/ 6" (191/152mm)



CI3835 Center-Mount Bolt-On Closer
CI3860 Center-Mount Bolt-On SC Set

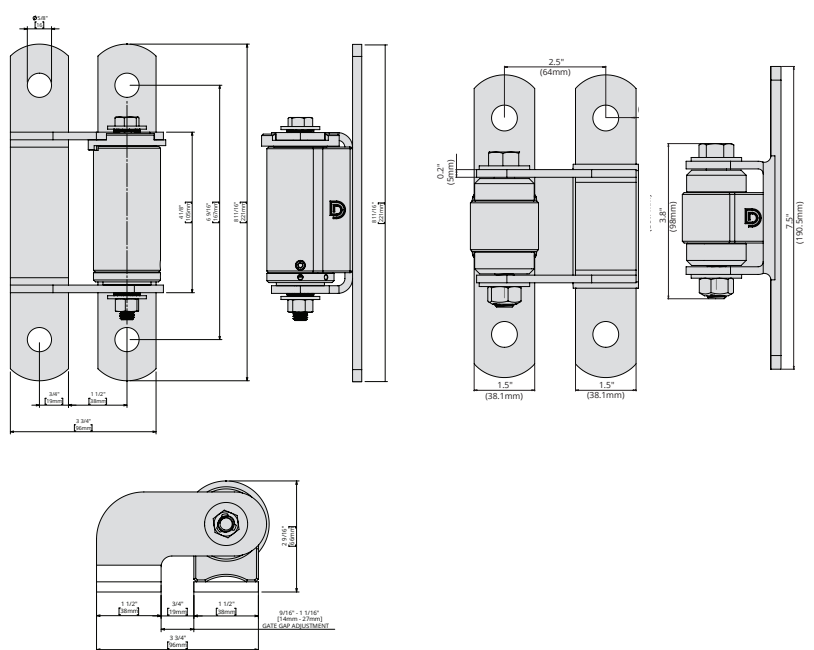
- Set contains CI3835 + CI3700
- High traffic, no maintenance, smooth operation
- Compatible for use on aluminium gates
- Flat, bolt-on brackets for through-bolting
- **Max self-closing weight: 300 lb (140kg) (CI3860 set)**
- **Max self-closing weight: 440 lb (200kg) (2 x CI3835)**



CODE	FINISH	FIXING	GAP VARIANCE	BRACKET	BODY	HEIGHT INCH/MM
CI3835	Zinc	Bolt-on	2 7/8"-3 3/8" (74-86mm)	Steel	Steel	8 2/3" (220mm)
CI3860 (Set)	Zinc	Bolt-on	2 7/8"-3 3/8" (74-86mm)	Steel	Steel	8 2/3" / 7 1/2" (220/191mm)

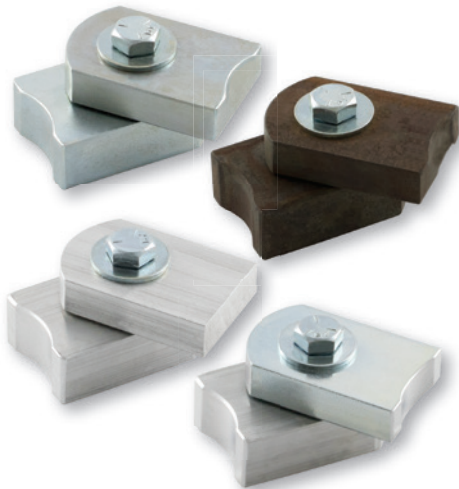
CI3835FM Face-Mount Bolt-On Closer
CI3860FM Face-Mount Bolt-On SC Set

- Set contains CI3835FM + CI3720
- Offers a 180° gate opening for unobstructed passage
- Horizontally adjustable from 13mm to 25mm
- Flat, bolt-on brackets for through-bolting
- **Max self-closing weight: 300 lb (140kg) (CI3860FM set)**
- **Max self-closing weight: 440 lb (200kg) (2 x CI3835FM)**

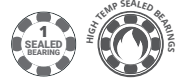


CODE	FINISH	FIXING	GAP VARIANCE	BRACKET	BODY	HEIGHT INCH/MM
CI3835FM	Zinc	Bolt-on	1/2"-1" (13-25mm)	Steel	Steel	8 2/3" (220mm)
CI3860FM	Zinc	Bolt-on	1/2"-1" (13-25mm)	Steel	Steel	8 2/3" / 7 1/2" (220/191mm)

Weld-On Range

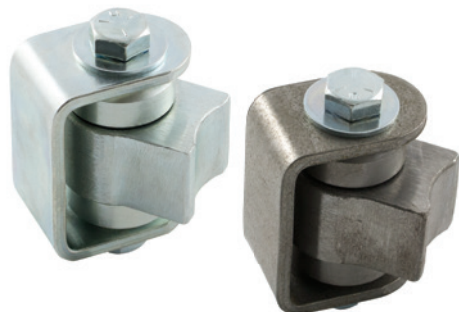
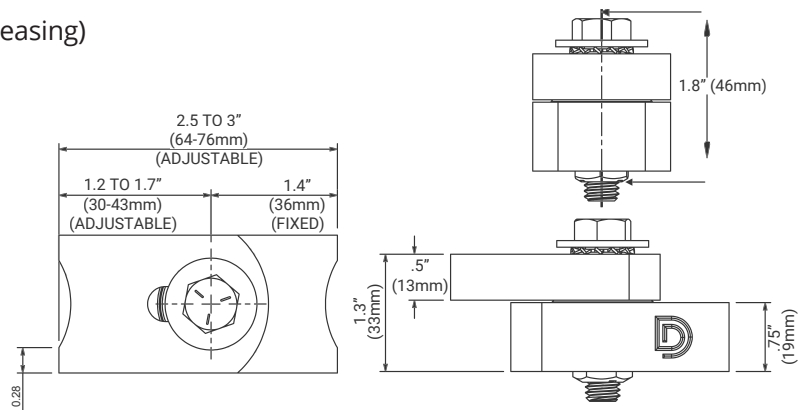


CI3600 – Baby BadAss™ Steel CI3620 – Baby BadAss™ ‘Rusted’ CI3650 – Baby BadAss™ Aluminum CI3670 – Baby BadAss™ Combo



CODE	FINISH	FIXING	GAP VARIANCE	BRACKET	BODY	HEIGHT INCH/MM	WEIGHT LB/KG
CI3600	Zinc	Weld	2½”-3” (64-76mm)	Steel	Steel	1⅜” (33mm)	1 lb (0.5kg)
CI3620	Unfinished	Weld	2½”-3” (64-76mm)	Steel	Steel	1⅜” (33mm)	1 lb (0.5kg)
CI3650	Unfinished	Weld	2½”-3” (64-76mm)	Aluminum	Aluminum	1⅜” (33mm)	1 lb (0.5kg)
CI3670	Zinc/ Unfinished	Weld	2½”-3” (64-76mm)	Steel	Aluminum	1⅜” (33mm)	1 lb (0.5kg)

- One sealed maintenance-free bearing (no greasing)
- High-temp bearings safe to powder-coat
- Designed for lighter gates
- Horizontally adjustable
- Ideal for square or round post installations
- **Load rating per gate:** 500 lb (230kg)
- **Maximum gate weight:** 300 lb (140kg)

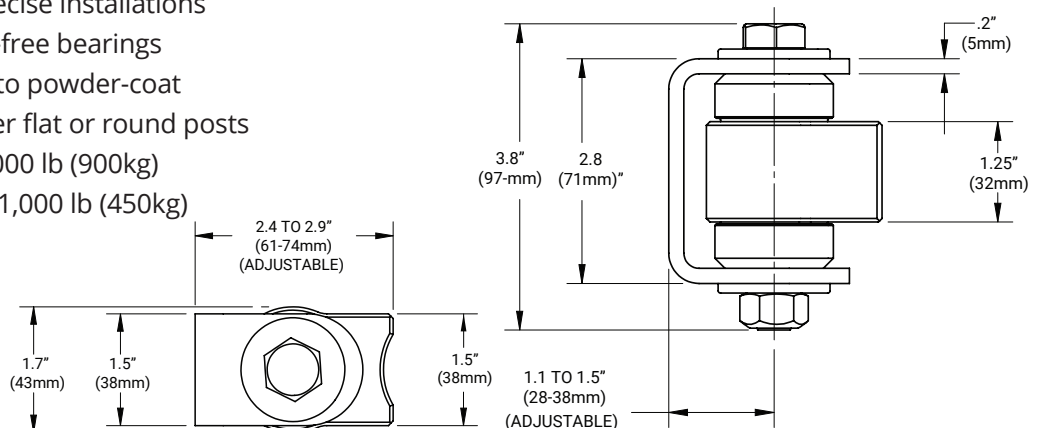


CI3000 – Original BadAss™ CI3100 – Original BadAss™ ‘Rusted’



CODE	FINISH	FIXING	GAP VARIANCE	BRACKET	BODY	HEIGHT INCH/MM	WEIGHT LB/KG
CI3000	Zinc	Weld	2⅜”-2⅞” (61-74mm)	Steel	Steel	3¾” (97mm)	2.5 lb (1.1kg)
CI3100	Unfinished	Weld	2⅜”-2⅞” (61-74mm)	Steel	Steel	3¾” (97mm)	2.5 lb (1.1kg)

- Adjustable bracket for precise installations
- Two sealed maintenance-free bearings
- High-temp bearings safe to powder-coat
- Hinge body welds to either flat or round posts
- **Load rating per gate:** 2,000 lb (900kg)
- **Maximum gate weight:** 1,000 lb (450kg)



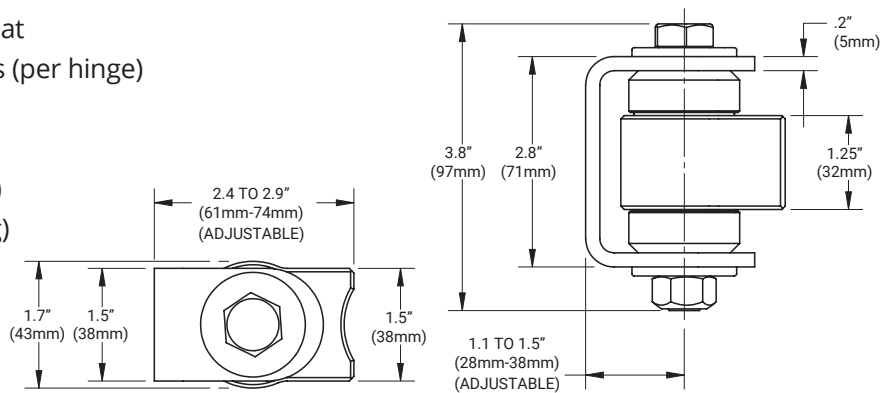


CI3200 - BadAss™ Combo Steel Body
CI3300 - BadAss™ Combo Aluminum Body
CI3400 - The Aluminum BadAss™

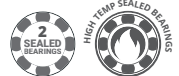


CODE	FINISH	FIXING	GAP VARIANCE	BRACKET	BODY	HEIGHT INCH/MM	WEIGHT LB/KG
CI3200	Zinc/Unfinished	Weld	2 ³ / ₈ "-2 ¹ / ₈ " (61-74mm)	Aluminum	Steel	3 ³ / ₄ " (97mm)	2.5 lb (1.1kg)
CI3300	Zinc/Unfinished	Weld	2 ³ / ₈ "-2 ¹ / ₈ " (61-74mm)	Steel	Aluminum	3 ³ / ₄ " (97mm)	2 lb (1kg)
CI3400	Unfinished	Weld	2 ³ / ₈ "-2 ¹ / ₈ " (61-74mm)	Aluminum	Aluminum	3 ³ / ₄ " (97mm)	2 lb (1kg)

- Adjustable bracket for precise installations
- High-temp bearings safe to powder-coat
- Two sealed maintenance-free bearings (per hinge)
- Perfect for that high-end installation
- Round or plate post installations
- **Load rating per gate:** 1,000 lb (450kg)
- **Maximum gate weight:** 600 lb (270kg)

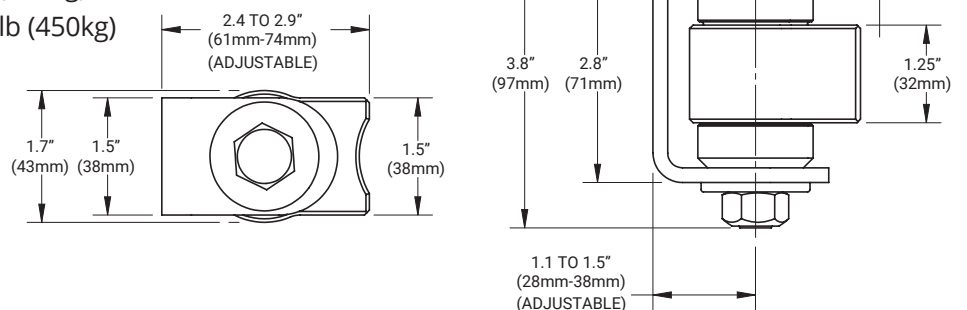


CI3800 - Stainless Steel BadAss™



CODE	FINISH	FIXING	GAP VARIANCE	BRACKET	BODY	HEIGHT INCH/MM	WEIGHT LB/KG
CI3800	Unfinished	Weld	2 ³ / ₈ "-2 ¹ / ₈ " (61-74mm)	Stainless	Stainless	3 ³ / ₄ " (97mm)	2.5 lb (1.1kg)

- 304 stainless steel includes the bearings, shaft (bolt), washers, retaining ring and locknut
- Two sealed maintenance-free bearings (no greasing)
- Adjustable yoke for perfect installations
- Hinge body welds to either flat or round posts
- **Load rating per gate:** 2,000 lb (900kg)
- **Maximum gate weight:** 1,000 lb (450kg)



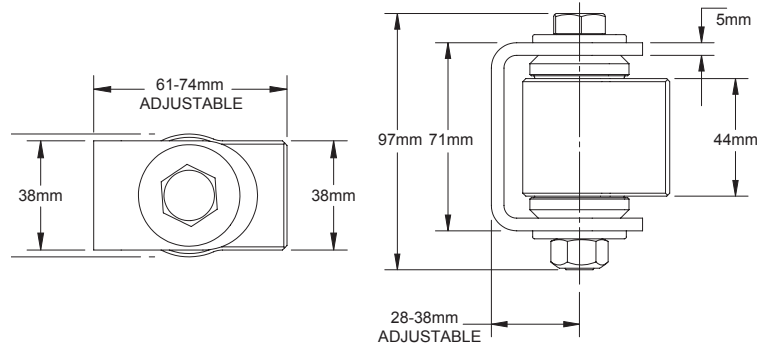
Weld-On Range



CI3500 - Heavy Duty BadAss™

CODE	FINISH	FIXING	GAP VARIANCE	BRACKET	BODY	HEIGHT INCH/MM	WEIGHT LB/KG
CI3500	Zinc	Weld	2 3/8" - 2 7/8" (61-74mm)	Steel	Steel	3 3/4" (97mm)	3.5 lb (1.6kg)

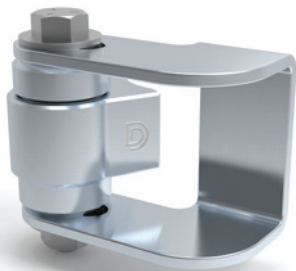
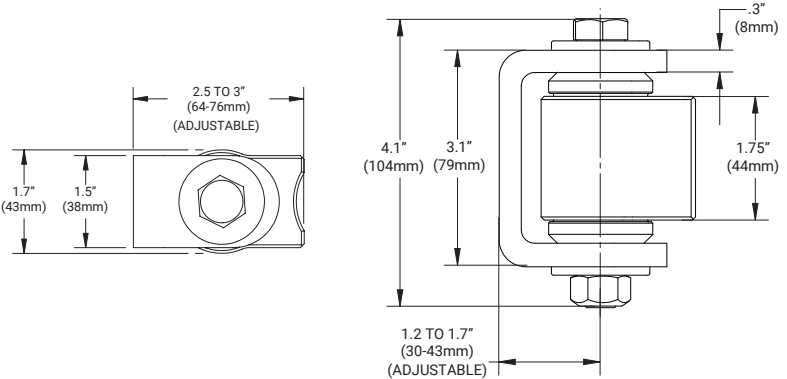
- High-temp bearings safe to powder-coat
- Adjustable bracket for perfect installations
- Hinge body welds to either flat or round posts
- Holds 50% more load than the 'Original' BadAss
- **Load rating per gate:** 3,000 lb (1,360kg)
- **Maximum gate weight:** 1,500 lb (680kg)



CI3520 - 100 Year BadAss™

CODE	FINISH	FIXING	GAP VARIANCE	BRACKET	BODY	HEIGHT INCH/MM	WEIGHT LB/KG
CI3520	Zinc	Weld	2 1/2" - 3" (64-76mm)	Steel	Steel	4" (104mm)	3.5 lb (1.6kg)

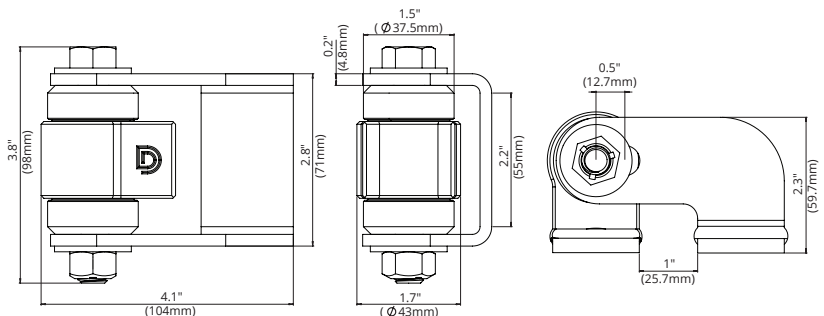
- High-temp bearings safe to powder-coat
- Thicker bracket and higher-tensile shaft
- Hinge body welds to either flat or round posts
- Adjustable bracket for precise installations
- Guaranteed for 100 years!
- **Load rating per gate:** 3,000 lb (1,360kg)
- **Maximum gate weight:** 1,500 lb (680kg)



CI3050 - Face Mount Weld-On BadAss™

CODE	FINISH	FIXING	GAP VARIANCE	BRACKET	BODY	HEIGHT INCH/MM	WEIGHT LB/KG
CI3050	Zinc	Weld	1/2" - 1" (13-25mm)	Steel	Steel	3 3/8" (98mm)	1.8 lb (0.8kg)

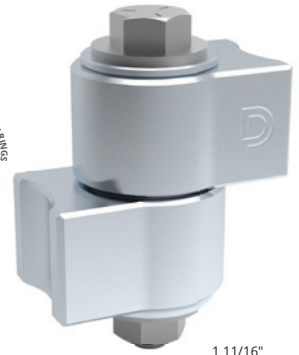
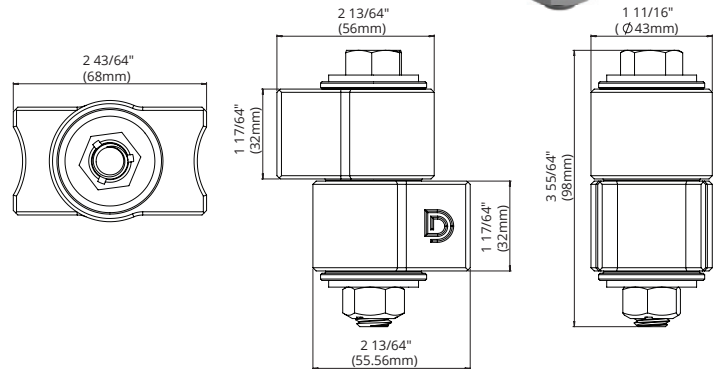
- Opens to 180°
- Achieve gate gaps as small as 1/2" (13mm)
- Horizontally adjustable to 1/2" (13mm)
- High-temp bearings safe to powder-coat
- **Load rating per gate:** 2,000 lb (900kg)
- **Maximum gate weight:** 1,000 lb (450kg)



CI3075 – VersaWeld™ BadAss™ Hinge

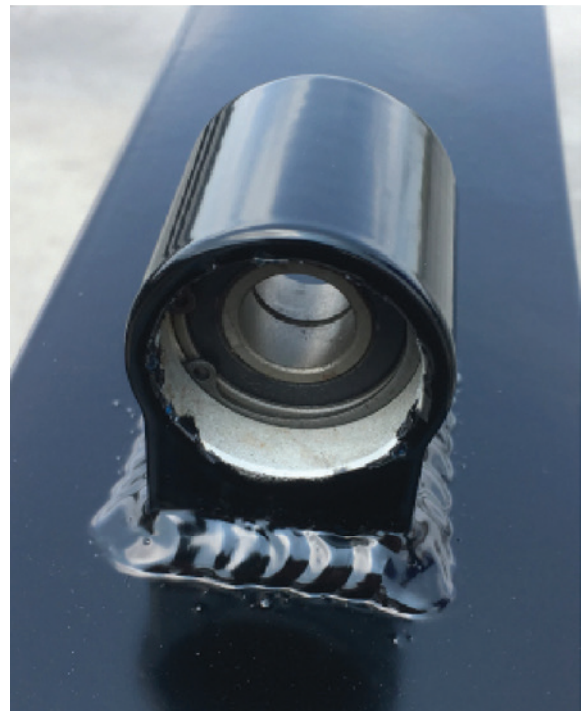
CODE	FINISH	FIXING	GATE GAP	BRACKET	BODY	HEIGHT INCH/MM	WEIGHT LB/KG
CI3075	Zinc	Weld-On	Flat posts: Fixed 2¾" (70mm). Round posts: no gap.	Steel	Steel	3¾" (95mm)	2.2 lb (1kg)

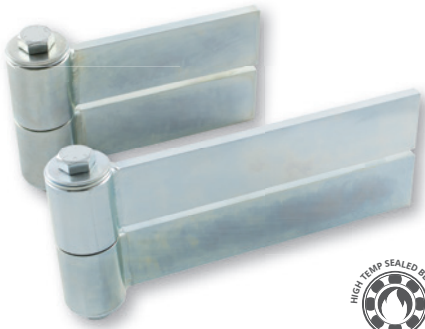
- One simple hinge that welds on nearly any gate right out of the box
- Fits either flat or round posts or gates no adaptors needed
- High-temp bearings safe to powder-coat
- Smoother than traditional block or barrel hinges
- 2 sealed ball bearings
- Maintenance-free, never needs lubrication
- **Load rating per gate:** 2,000 lb (900kg)
- **Maximum gate weight:** 1,000 lb (450kg)



Shut-It® benefits of powder-coating with hinges installed on the gate

- High-temperature sealed bearings
- No need to remove bearings prior to powder-coating
- Applies to all Shut-It® hinges, except all self-closing models and stainless steel model (CI3800)
- No more need for welding in the field
- Consistent, high-quality finish
- Gate, fence, hinge and weld finish all color match
- No greasing, no maintenance - ever!
- Horizontal adjustability for perfect installation
- Tested to over 1 million open/close cycles
- Shut It® now offers matte black, powder coated hinges (CI3700B • CI3720B • CI3750B)





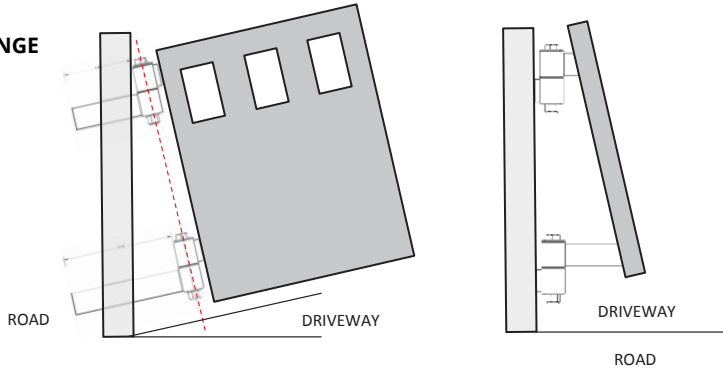
CI3975 Uphill BadAss™ Strap Hinge Set

(Includes: 1x CI3900 + 1x CI3925)

CODE	FINISH	FIXING	GAP VARIANCE	BRACKET	BODY	HEIGHT INCH/MM	WEIGHT LB/KG
CI3975	Zinc	Weld	Fixed 1/2" (13mm)	Steel	Steel	6" (150mm)	13.5 lb (6.1kg)



PER HINGE



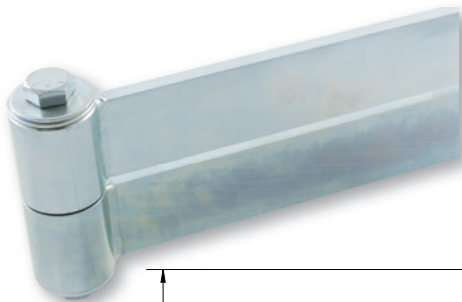
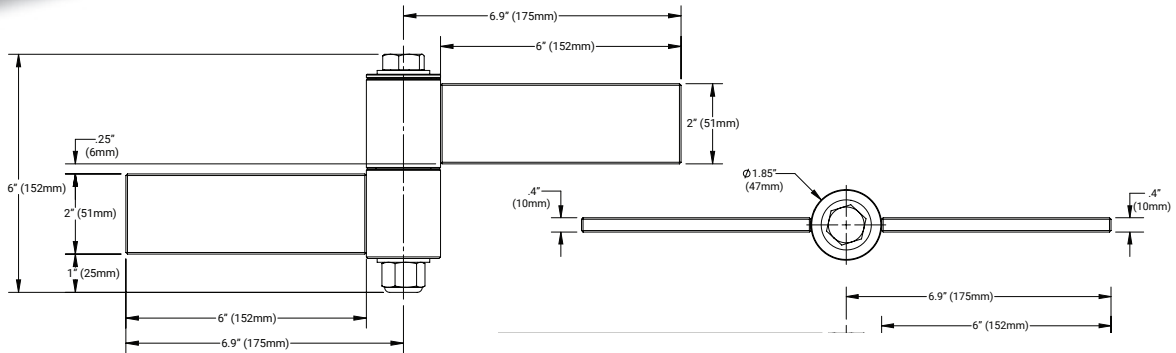
SLOPE GRADIENT MATRIX AVAILABLE ON D&D'S WEBSITE OR BY REQUEST

- Suitable for motorized, uphill or heavy gates
- High-temp bearings safe to powder-coat
- For square-posted, weld-on installations
- Zinc electroplated external components
- Swings 180°; fixed gap variance 1/2" (13mm)
- Leaf straps can be cut to length
- **Load rating per gate:** 3,000 lb (1,360kg)
- **Maximum gate weight:** 1,500 lb (680kg)



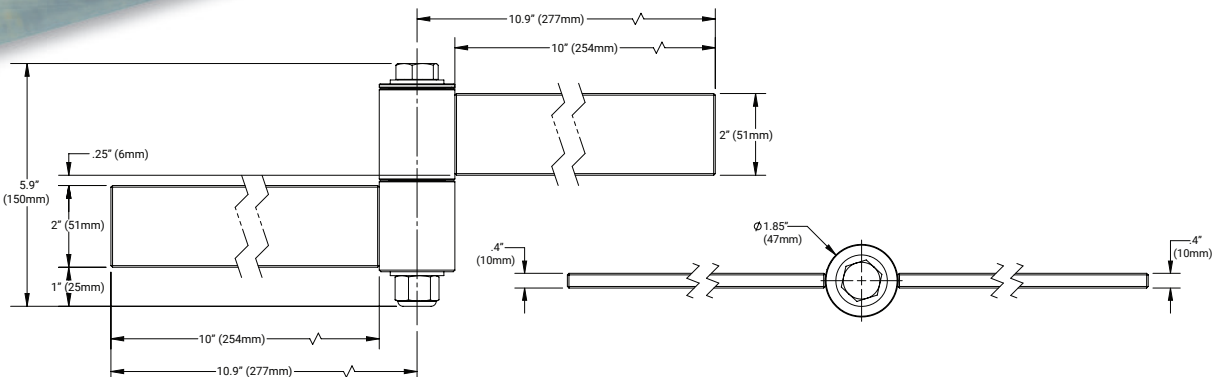
CI3900 - 6" (152mm) BadAss™ Strap-Hinge

CODE	FINISH	FIXING	GAP VARIANCE	BRACKET	BODY	HEIGHT INCH/MM	WEIGHT LB/KG
CI3900	Zinc	Weld	Fixed 1/2" (13mm)	Steel	Steel	6" (150mm)	6 lb (2.7kg)



CI3925 - 10" (245mm) BadAss™ Strap-Hinge

CODE	FINISH	FIXING	GAP VARIANCE	BRACKET	BODY	HEIGHT INCH/MM	WEIGHT LB/KG
CI3925	Zinc	Fixed 1/2" (13mm)	3"-3 1/2" (76-89mm)	Steel	Steel	6" (150mm)	7.5 lb (3.4kg)



Brilliant designs. Badass Products. Epic Results

The Shut-It® Hardware story

Shut-It® Gate Hardware starts as Counsel Industries LLC and becomes an early leader in the design and distribution of hardware and gate systems for the fence and access control industries.

Mid-1990s: As vehicular access control begins to explode as an industry, two veterans of the fence and access control industries discovered that many of their maintenance and repair issues for automated gate systems were being caused by the faulty or inferior hardware used on many gates.

With the help of a team of engineers and an award-winning CNC machinist, Counsel leaders set out to develop a line of products that would eliminate the damage caused to expensive operator systems and gates. After years of development and field testing, Counsel Industries was born.

1998: Counsel begins marketing innovative gate solutions designed to ease installation requirements and eliminate premature wear on expensive, automated gate-operator systems.

2010: Counsel rebrands itself as **Shut-It® Gate Hardware** in order to better reflect what the company had become - **Brilliant Designs. BadAss Products. Epic Results.**

2016: D&D Technologies acquires Shut-It® Gate Hardware.

BadAss hinges, HardCore Wheels, full cantilever and slider systems are added to the D&D family of products.

D&D + Shut-It®: providing the industry with the broadest range of gate hardware.

2019: The VersaWeld hinge is added (CI3075). Designed for round or flat posts without the need for an adaptor, giving installers a single hinge that they can weld to just about any steel gate.


- Weld-on and bolt-on Face Mount hinges (CI3050 & CI3720) are introduced, enabling full, unobstructed 180° openings.
- To reduce flexing on 4" (102mm) wide posts, three models of hinges with wider mounting brackets (CI3740A, CI3740 & CI3760A) are introduced to ensure added strength and longevity.

2021: A face-mounted, self-closing hinge set (CI3880) is added and features both vertical and horizontal adjustability.

The Shut-It® difference

- CNC machined to the tightest tolerances in the industry
- Unique bushing design produces near-frictionless movement and maintenance-free usage
- Highest-quality sealed radial ball bearings never need greasing or maintenance
- Four different sealed bearing configurations – 1, 2, 3 or 4 bearings per hinge; 2 bearings per wheel.
- All components are zinc electroplated to prevent rust and corrosion - exceptions: aluminum, stainless steel and rusted look
- Steel Stover™ lock-nuts used to prevent loosening and slipping
- Super-hard, cold-rolled steel used on all HardCore wheels; literally Hard to the Core
- Slotted yokes for horizontal adjustability

Proper welding

 **Warning:** Hinges will be damaged if electrical welding current is not properly grounded, resulting in the Warranty being made void.

- Damage can be caused by excessive heat or by welding current passing through the bearings.

Ensure that the welding ground is always on the side being welded. Current must not pass through the bearings or severe damage will result.

- To prevent heat-related damage to the bearings, the welding process must be done in several small segments.

Weld one surface at a time and alternate between top and bottom hinge. After each small segment is welded, the hinge should be allowed to cool before welding the next segment.

- Use general, field-welding operations with suitable heat transfer controls. Protect hinge from weld spatter.
- Clean up and finish with appropriate corrosion and rust protection.



Anatomy of a Shut-It® Gate Wheel

Hardest steel

- At Shut-It® we use the hardest steel in the industry in our wheels, making them literally 'Hard to the Core' (30 RC Rated)

Zinc electroplating

- Long lasting rust and corrosion protection
- On all wheel components except aluminum carriage plates

Tightest tolerance in the industry

- Virtually frictionless rotation

Spacer (bushing)

- Spacer options for 1½" (38mm) and 2" (50mm) wide gate profiles
- Distributes load directly onto the center ring of the sealed bearings for optimal performance and long life

Two sealed bearings

- Require no greasing
- Maintenance free

Narrow wheel profile

- Reduces possibility of wheel hitting debris and running off track

FOR CANTILEVER AND SLIDING GATE INSTALLATIONS SEE P.79-80

Carriage plates

- Most versatile in assuring proper spacing under gates
- No need to stock multiple wheel boxes
- Less obtrusive than wheel boxes
- Fits to all common gate widths
- Vertically adjustable
- Available in aluminum and steel





CI2240
HARDCORE™ CANTILEVER
WHEEL ASSEMBLY



CI2300
HARDCORE™ GATE
GUIDE ASSEMBLY



CI2515
4" V-GROOVE WHEEL WITH
CARRIAGE PLATES



CI2715
6" V-GROOVE WHEEL
WITH CARRIAGE PLATES



CI2415
4" V-GROOVE
WHEEL



CI2620
6" V-GROOVE
WHEEL

CODE	PRODUCT NAME**	FIXING METHOD	FINISH	# OF SEALED BEARINGS	MAX GATE WEIGHT	MAX GATE LOAD	WHEEL MATERIAL	CARRIAGE PLATE MATERIAL	HEIGHT INCH/MM	WEIGHT LB/KG
CI2140	4" (102mm) Carriage Plate Set - Steel ††	Weld	Zinc	-	-	-	-	Steel	4" (102mm)	2 lb (1kg)
CI2140A	4" (102mm) Carriage Plate Set - Aluminum ††	Weld	Aluminum	-	-	-	-	Aluminum	4" (102mm)	1.5 lb (0.7kg)
CI2160	6" (152mm) Carriage Plate Set - Steel ††	Weld	Zinc	-	-	-	-	Steel	6" (152mm)	3.5 lb (1.6kg)
CI2160A	6" (152mm) Carriage Plate Set - Aluminum ††	Weld	Aluminum	-	-	-	-	Aluminum	6" (152mm)	2 lb (1kg)
CI2240	4" (102mm) Cantilever Wheel Assembly	Weld	Zinc	2	1,500 lb (680kg)	3,000 lb (1,360kg)	Steel	-	6" (152mm)	5 lb (2.3kg)
CI2260	6" (152mm) Cantilever Wheel Assembly	Weld	Zinc	2	1,500 lb (680kg)	3,000 lb (1,360kg)	Steel	-	8" (203mm)	10.5 lb (4.8kg)
CI2300	Guide Assembly	Weld	Zinc	2	-	-	-	-	6" (152mm)	4 lb (1.8kg)
CI2350	Extended Guide Assembly	Weld	Zinc	2	-	-	-	-	10" (254mm)	4.5 lb (2kg)
CI2340	4" (102mm) Carriage Cap	Weld	Zinc	-	-	-	-	-	6" (152mm)	1 lb (0.5kg)
CI2360	6" (152mm) Carriage Cap	Weld	Zinc	-	-	-	-	-	8" (203mm)	1.5 lb (0.7kg)
CI2415	4" (102mm) Wheel - 1½" (38mm) Frame	Bolts to plates	Zinc	2	1,500 lb (680kg)	3,000 lb (1,360kg)	Steel	-	4" (102mm)	4.5 lb (2kg)
CI2420	4" (102mm) Wheel - 2" (51mm) Frame	Bolts to plates	Zinc	2	1,500 lb (680kg)	3,000 lb (1,360kg)	Steel	-	4" (102mm)	4.5 lb (2kg)
CI2515	4" (102mm) Wheel - 1½" (38mm) Frame Set *	Weld	Zinc	2	1,500 lb (680kg)	3,000 lb (1,360kg)	Steel	Steel	4" (102mm)	6 lb (2.7kg)
CI2520	4" (102mm) Wheel - 2" (51mm) Frame Set *	Weld	Zinc	2	1,500 lb (680kg)	3,000 lb (1,360kg)	Steel	Steel	4" (102mm)	6 lb (2.7kg)
CI2615	6" (152mm) Wheel - 1½" (38mm) Frame	Bolts to plates	Zinc	2	2,200 lb (1,000kg)	5,000 lb (2,270kg)	Steel	-	6" (152mm)	9 lb (4kg)
CI2620	6" (152mm) Wheel - 2" (51mm) Frame	Bolts to plates	Zinc	2	2,200 lb (1,000kg)	5,000 lb (2,270kg)	Steel	-	6" (152mm)	9.5 lb (4.3kg)
CI2625	6" (152mm) Wheel - For Wheel Boxes †	Bolts to box	Zinc	2	2,200 lb (1,000kg)	5,000 lb (2,270kg)	Steel	-	6" (152mm)	9.5 lb (4.3kg)
CI2715	6" (152mm) Wheel - 1½" (38mm) Frame Set *	Weld	Zinc	2	2,200 lb (1,000kg)	5,000 lb (2,270kg)	Steel	Steel	6" (152mm)	12 lb (5.4kg)
CI2720	6" (152mm) Wheel - 2" (51mm) Frame Set *	Weld	Zinc	2	2,200 lb (1,000kg)	5,000 lb (2,270kg)	Steel	Steel	6" (152mm)	12.5 lb (6kg)

All weight ratings are based upon two wheels. * Includes one wheel and two slotted carriage plates.

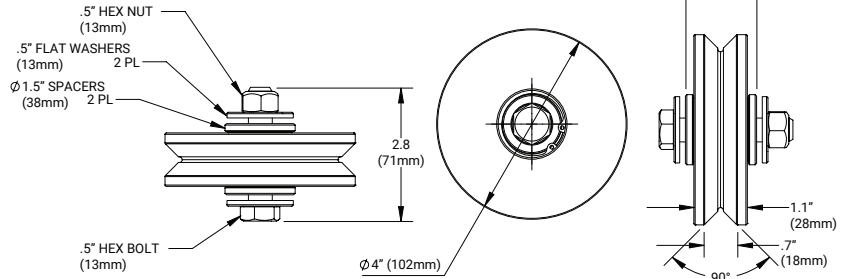
** All wheels include axle bolt, washers and locknuts.

† For retrofit/repair † † Set includes two slotted carriage plates.



V-Groove Wheel for 1 1/2" (38mm) Gate Frame

CODE	FINISH	FIXING	MAX GATE WEIGHT	WHEEL	HEIGHT INCH/MM	WEIGHT LB/KG
CI2415	Zinc	Bolts to plates	1,500 lb (680kg)	Steel	4" (102mm)	4.5 lb (2kg)
CI2615	Zinc	Bolts to plates	2,200 lb (1,000kg)	Steel	6" (152mm)	9 lb (4kg)

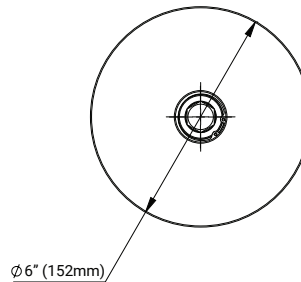


CI2415 - 4" (102mm)
CI2615 - 6" (152mm)

- Narrow width to reduce friction and debris issues
- This wheel does not include carriage plates
- Adjustable plates for perfect installations
- Super-hard cold rolled steel (30RC rating)

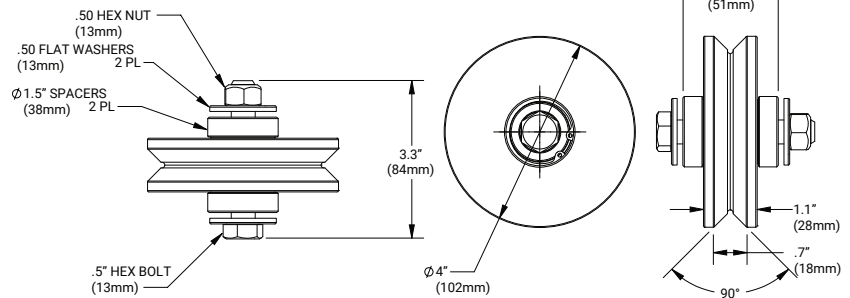
Load rating per gate: 3,000 lb (1,360kg)/5000 lb (2,300kg)

Max gate weight: 1,500 lb (680kg) /2,200 lb (1,000kg)



V-Groove Wheel for 2" (51mm) Gate Frame

CODE	FINISH	FIXING	MAX GATE WEIGHT	WHEEL	HEIGHT INCH/MM	WEIGHT LB/KG
CI2420	Zinc	Bolts to plates	1,500 lb (680kg)	Steel	4" (102mm)	4.5 lb (2kg)
CI2620	Zinc	Bolts to plates	2,200 lb (1,000kg)	Steel	6" (152mm)	9.5 lb (4.3kg)

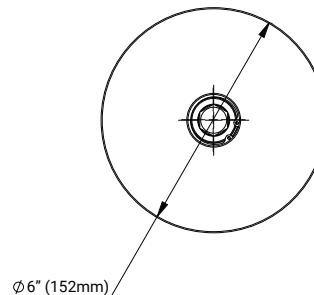


CI2420 - 4" (102mm)
CI2620 - 6" (152mm)

- Narrow width to reduce friction and debris issues
- Adjustable plates for perfect installations
- This wheel does not include carriage plates
- Super-hard cold rolled steel (30RC rating)

Load rating per gate: 3,000 lb (1,360kg)/5000 lb (2,200kg)

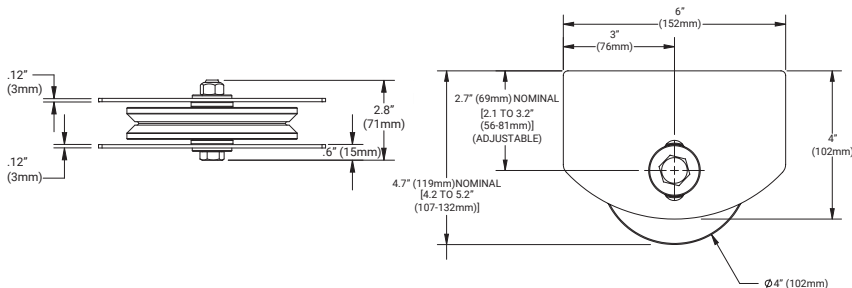
Max gate weight: 1,500 lb (680kg) /2,200 lb (1,000kg)



Wheel with Carriage Plates for 1½" (38mm) Gate Frame



CODE	FINISH	FIXING	MAX GATE WEIGHT	WHEEL	PLATE	HEIGHT INCH/MM	WEIGHT LB/KG
CI2515	Zinc	Weld	1,500 lb (680kg)	Steel	Steel	4½" (119mm)	6 lb (2.7kg)
CI2715	Zinc	Bolts to plates	2,200 lb (1,000kg)	Steel	Steel	7½" (188mm)	12 lb (5kg)

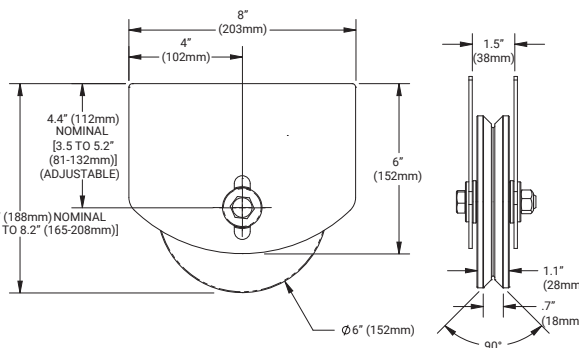


CI2515 - 4" (102mm)
CI2715 - 6" (152mm)

- Adjustable plates for perfect installations
- Includes carriage plates
- Narrow width to reduce friction and debris issues
- Super-hard cold rolled steel (30RC rating)

Load rating per gate: 3,000 lb (1,360kg)/5000 lb (2,300kg)

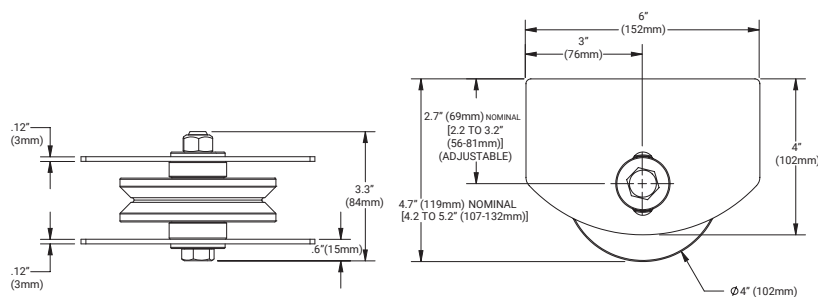
Max gate weight: 1,500 lb (680kg) /2,200 lb (1,000kg)



Wheel with Carriage Plates for 2" (51mm) Gate Frame



CODE	FINISH	FIXING	MAX GATE WEIGHT	WHEEL	PLATE	HEIGHT INCH/MM	WEIGHT LB/KG
CI2520	Zinc	Weld	1,500 lb (680kg)	Steel	Steel	4½" (119mm)	6 lb (2.7kg)
CI2720	Zinc	Weld	2,200 lb (1,000kg)	Steel	Steel	7½" (188mm)	12.5 lb (6kg)

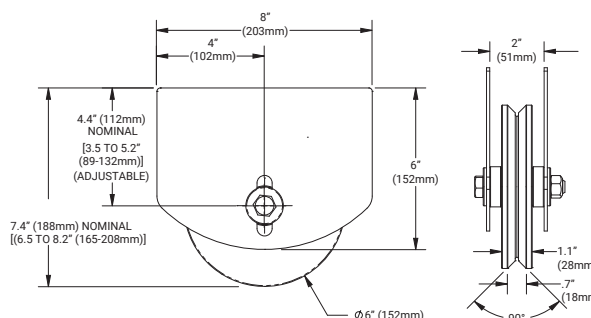


CI2520 - 4" (102mm)
CI2720 - 6" (152mm)

- Adjustable plates for perfect installations
- Includes carriage plates
- Narrow width to reduce friction and debris issues
- Super-hard cold rolled steel (30RC rating)

Load rating per gate: 3,000 lb (1,360kg)/5000 lb (2,300kg)

Max gate weight: 1,500 lb (680kg) /2,200 lb (1,000kg)

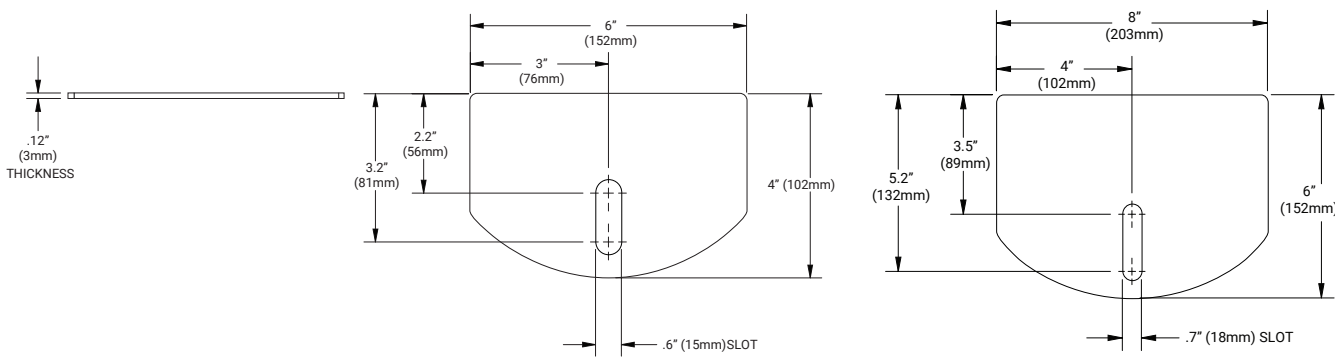




The HardCore™ Carriage Plate in Steel/Aluminum

CODE	FINISH	FIXING	PLATE	HEIGHT INCH/MM	WEIGHT LB/KG
CI2140	Zinc	Weld	Steel	4" (102mm)	2 lb (1kg)
CI2160	Zinc	Weld	Steel	6" (152mm)	3.5 lb (1.6kg)
CI2140A	Unfinished	Weld	Aluminum	4" (102mm)	2 lb (1kg)
CI2160A	Unfinished	Weld	Aluminum	6" (152mm)	3.5 lb (1.6kg)

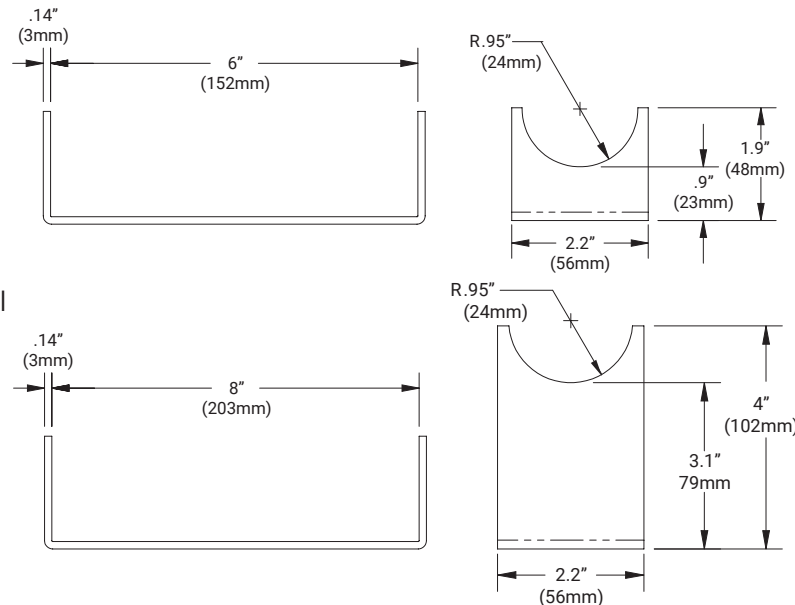
- Adjustable plates for perfect installation
- Models for 4" (102mm) and 6" (152mm) wheels
- Available in steel and aluminum
- No need for bulky and heavy wheel boxes
- ½" (3mm) plate thickness
- Combine with carriage caps for chain link applications



CI2340 - 6" (152mm)
CI2360 - 8" (203mm)

The HardCore™ Carriage Cap

CODE	FINISH	FIXING	PLATE	HEIGHT INCH/MM	WEIGHT LB/KG
CI2340	Zinc	Weld	Steel	6" (152mm)	1 lb (0.5kg)
CI2360	Zinc	Weld	Steel	8" (203mm)	1.5 lb (0.7kg)



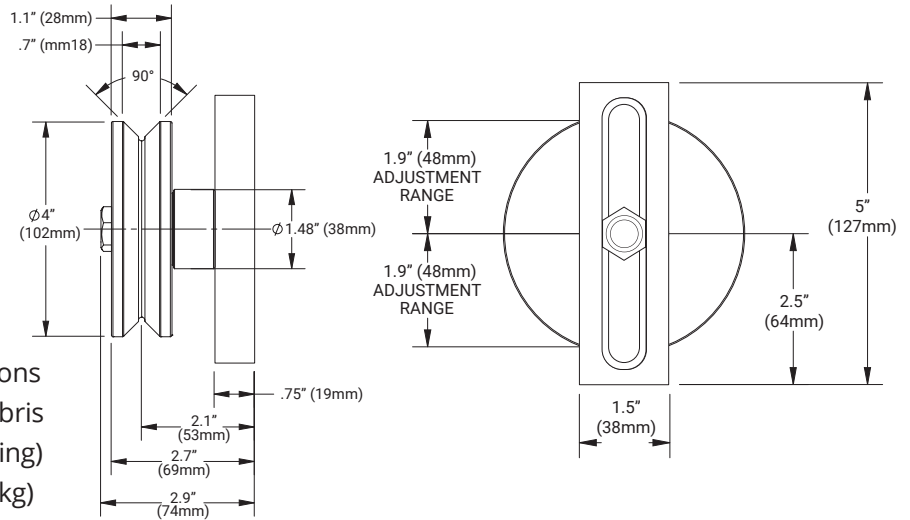
- Designed to be used with V-Groove Wheels
- Combines with carriage plates for round rail
- Perfect chainlink gate solution
- Made from high strength steel
- 4" (102mm) wheel carriage cap
- 6" (152mm) wheel carriage cap
- Welding instructions page 71



The 4" (102mm) Cantilever Wheel Assembly



CODE	FINISH	FIXING	MAX GATE WEIGHT	WHEEL	PLATE	WHEEL DIAMETER	WEIGHT LB/KG
CI2240	Zinc	Weld	1,500 lb (680kg)	Steel	Steel	4" (102mm)	5 lb (2.3kg)



CI2240

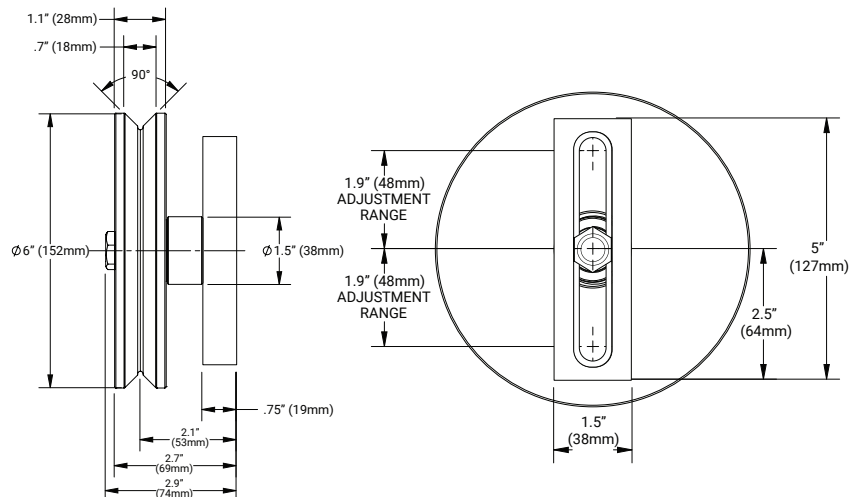
- Adjustable plates for perfect installations
- Narrow width reduces friction and debris
- Super-hard cold rolled steel (30RC rating)
- **Load rating per gate:** 3,000 lb (1,360kg)
- **Maximum gate weight:** 1,500 lb (680kg)



The 6" (152mm) Cantilever Wheel Assembly



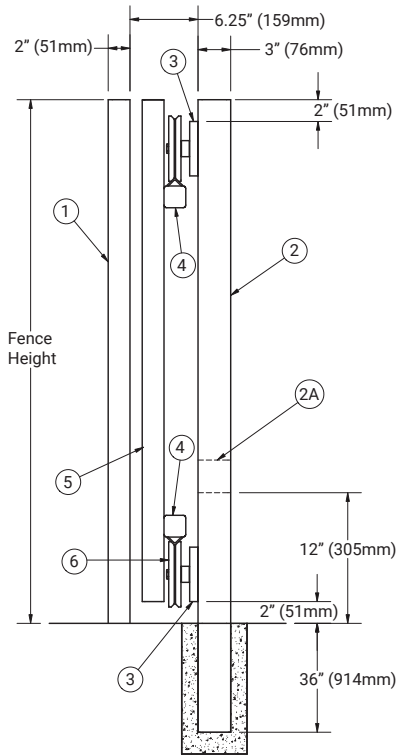
CODE	FINISH	FIXING	MAX GATE WEIGHT	WHEEL	PLATE	WHEEL DIAMETER	WEIGHT LB/KG
CI2260	Zinc	Weld	1,500 lb (680kg)	Steel	Steel	6" (152mm)	10.5 lb (4.8kg)



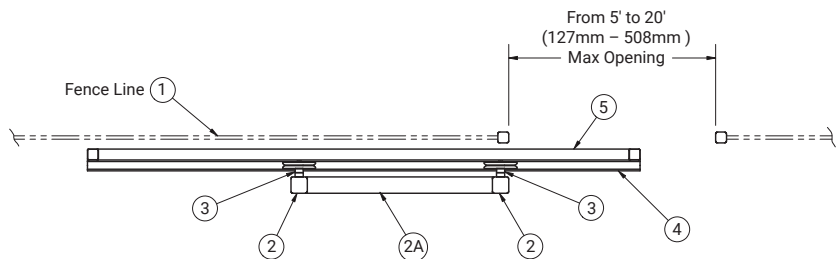
CI2260

- Adjustable plates for perfect installations
- Narrow width reduces friction and debris
- Super-hard cold rolled steel (30RC rating)
- **Load rating per gate:** 3,000 lb (1,360kg)
- **Maximum gate weight:** 1,500 lb (680kg)

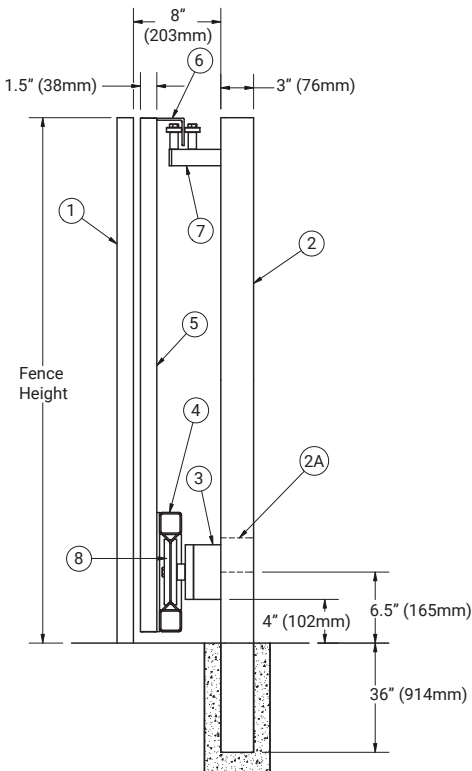
Full Cantilever Gate System: 4-Wheel System



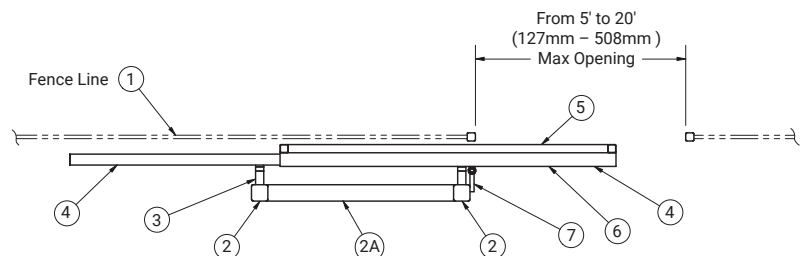
1	Fence Line
2	Two Posts: 3 x 3 x 3/16" (76x76x5mm), 4 x 4 x 3/16" (102 x 102 x 5mm), or 6 x 6 x 3/16" (152 x 152 x 5mm)
2A	Connect two posts with rail (can be used for operator mount)
3	Weld four Cantilever wheel assemblies to post
4	Weld or bolt 2 x 2 Cantilever rails to gate frame
5	Gate frame with support panel posts 3 x 3" (76x76mm) – up to 12" (3,658 mm) opening 4 x 4" (102 x 102mm) – up to 22" (6,700mm) opening 6 x 6" (152 x 152mm) – over 22" (6,700mm) opening Support panel length up to 12" (3,658mm) opening
6	For cantilever wheel assemblies: use CI2240 for 4" (102mm) wheels and CI2260 for 6" (152mm) wheels

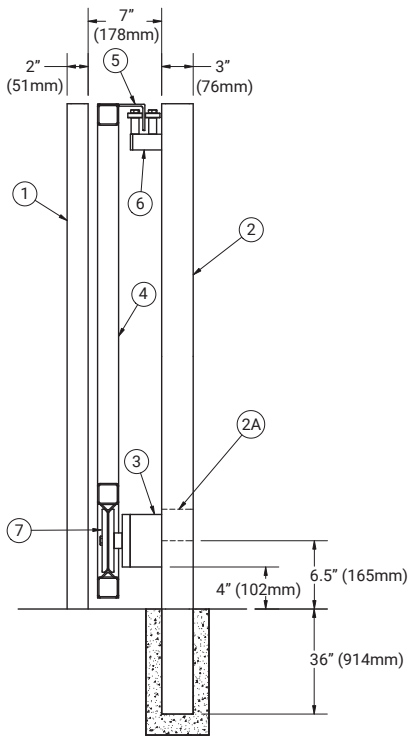


Full Cantilever Gate System: Weld-On/Bolt-On Rail



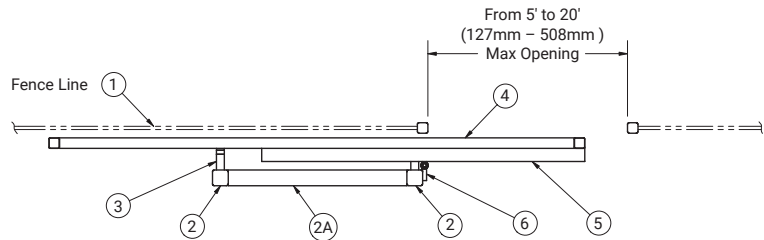
GATE SYSTEM SPECIFICATIONS	
1	Fence Line
2	Two Posts: 3 x 3 x 3/16" (76x76x5mm), 4 x 4 x 3/16" (102x102x5mm) 1 post at fence height - 1 post 24" (610mm) above grade
2A	Connect two posts with rail 6.5" (165mm) up from grade (can be used for operator mount)
3	Cantilever bracket with 2.5" (64mm) extensions (2 total)
4	Weld or bolt Cantilever rails to gate frame
5	Gate frame
6	2.5 x 2.5 x 3/16" (64 x 64 x 5mm) continuous angle weld for guide
7	Weld Guide Assembly CI2300 or CI2350 (extended version) to guide post
8	For Cantilever wheel assemblies: Use CI2240 for 4" (102mm) wheels and CI2260 for 6" (152mm) wheels



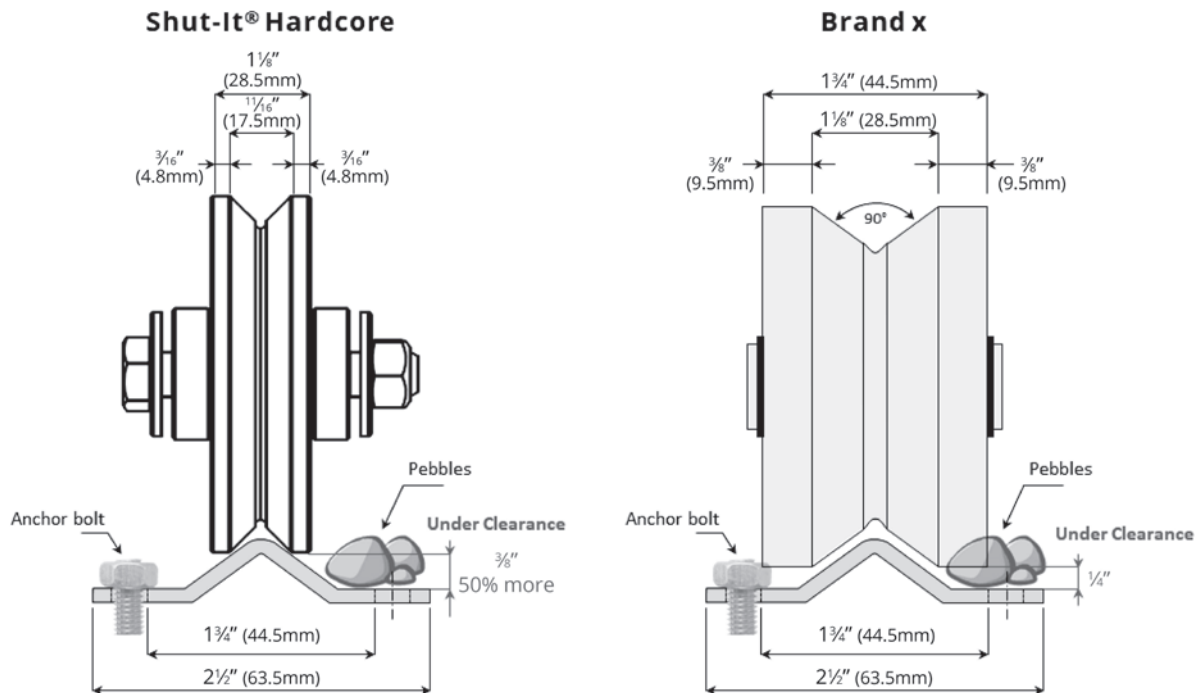


Full Cantilever Gate System - built-In

1	Fence Line
2	Two Posts: 3 x 3 x 3/16" (76x76x5mm), 4 x 4 x 3/16" (102x102x5mm) 1 post at fence height - 1 post 24" (610mm) above grade
2A	Connect two posts with rail 6.5" (165mm) up from grade (can be used for operator mount)
3	Cantilever bracket with 3" (76mm) extensions (2 total)
4	Gate frame with cantilever rail can be used as part of frame
5	2.5 x 2.5 x 3/16" (64 x 64 x 5mm) continuous angle weld for guide
6	Counsel guide weld to guide post
7	For Cantilever wheel assemblies: Use CI2240 for 4" (102mm) wheels and CI2260 for 6" (152mm) wheels



Clearance advantage for a 4" Wheel

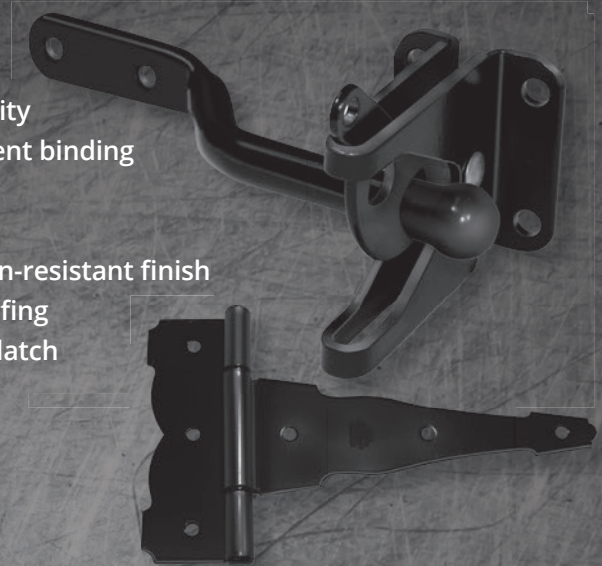


Shut-It® wheels machined from the hardest steel, enable a narrow design

Narrower wheel profile of the Shut-It® Wheel helps prevent wheel from hitting debris and track anchors.

Powder-coated latches, hinges and accessories for wood gates

- Thicker-gauge steel improves overall strength and durability
- Patented polymer bearings and high-tech lubricants prevent binding
- Superior strength and appearance – no rough edges
- Superior powder-coated finish (highly corrosion resistant)
- Fully treated screws included, with a proprietary, corrosion-resistant finish
- Screw heads have additional powder-coated weatherproofing
- Striker-bolt head prevents bolt from slipping through the latch
- Hinges will not bind (powder-coated before assembly)



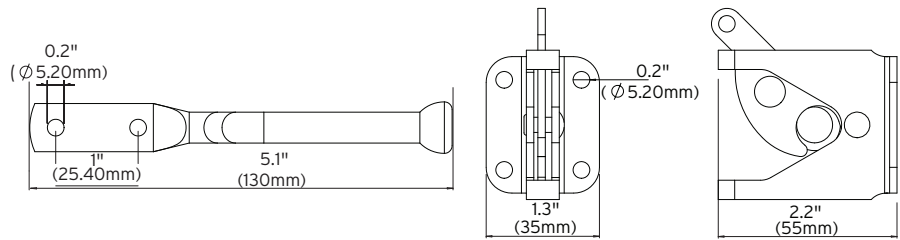
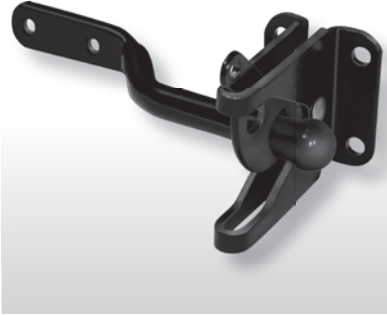
5 YEAR ON SPRINGS



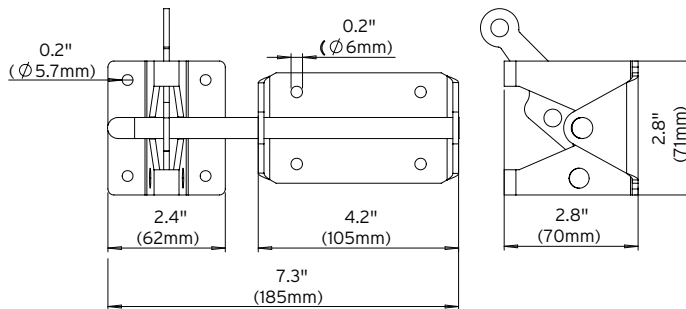
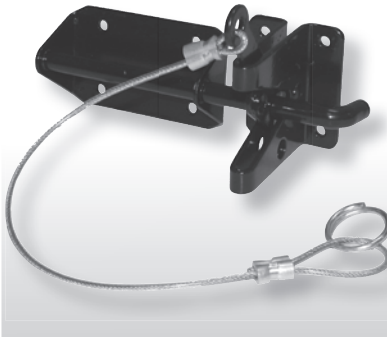
CODE	MODEL / FEATURE	GATE MATERIAL	SOLD AS
210001	Regular Gravity Latch	Wood/Vinyl	Single
210002	Heavy Duty Gravity Latch	Wood/Vinyl	Single
210007	HD Gravity Latch/Cable and O-ring	Wood/Vinyl	Single
210003	Standard Post Latch	Wood/Vinyl	Single
210004	Thumb Latch	Wood/Vinyl	Single
210005	Side Bolt Latch	Wood/Vinyl	Single
210006	Contemporary Post Latch	Wood/Vinyl	Single
220001	Round Rail Loop latch	Wood	Single
310001	8" T-Hinge Regular Decorative	Wood/Vinyl	Pair
310002	8" Strap Hinge Regular Decorative	Wood/Vinyl	Single Hinge
310003	10" T-Hinge Heavy Duty Traditional	Wood/Vinyl	Single Hinge
310004	8" T-Hinge Heavy Duty Traditional	Wood/Vinyl	Pair
310005	10" Strap Hinge Heavy Duty Traditional	Wood/Vinyl	Single Hinge
310006	8" Strap Hinge HD Traditional	Wood/Vinyl	Single Hinge
310007	8" T-Hinge Heavy Duty Contemporary	Wood/Vinyl	Pair
310008	8" Strap Hinge Contemporary	Wood/Vinyl	Single Hinge
310009	8" Butterfly Hinge Contemporary	Wood/Vinyl	Pair
310010	8" Butterfly Hinge Traditional	Wood/Vinyl	Pair
410001	11" Gate Spring	Wood/Vinyl	Single
410002	14" Gate Spring	Wood/Vinyl	Single
410003	24" Drop Bolt	Wood/Vinyl	Single
410004	40" Drop Bolt	Wood/Vinyl	Single
410005	Gate Handle	Wood/Vinyl	Single
420001	Gate Anti-sag Kit	Wood	Single

Customized wood gate hardware Kits available (USA only). Email: customerservice@ddtechusa.com for US pricing.

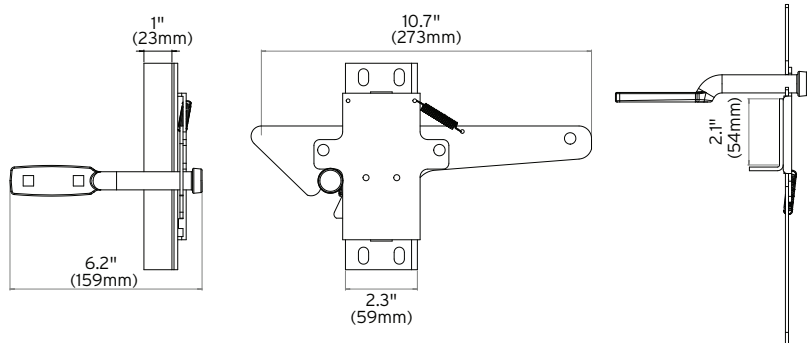
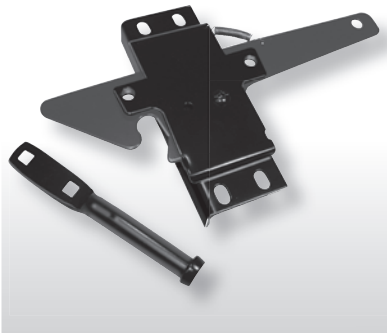
210001 - Regular Gravity Latch



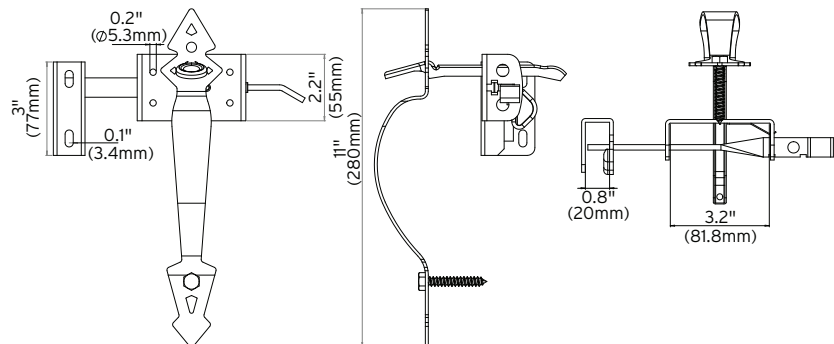
210002 - Heavy Duty Gravity Latch 210007 - With Cable and O-ring



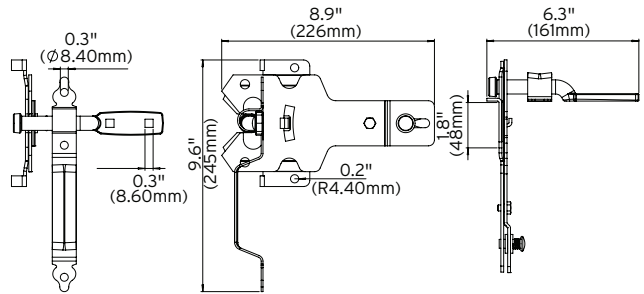
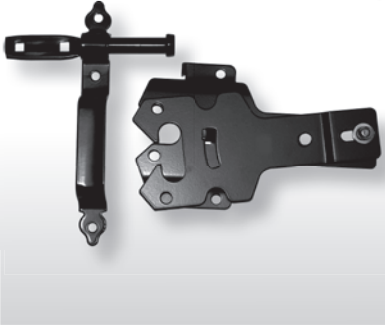
210003 - Standard Post Latch



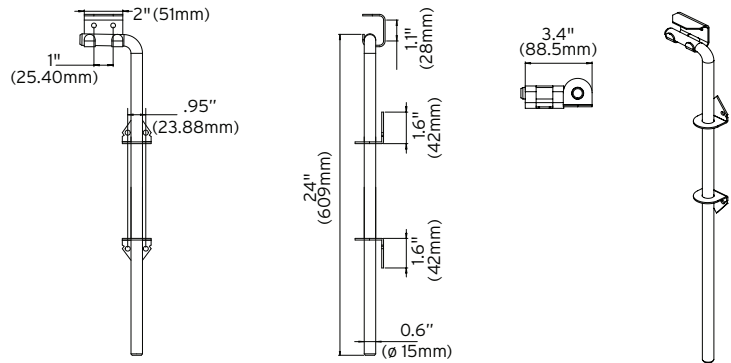
210004 - Thumb Latch



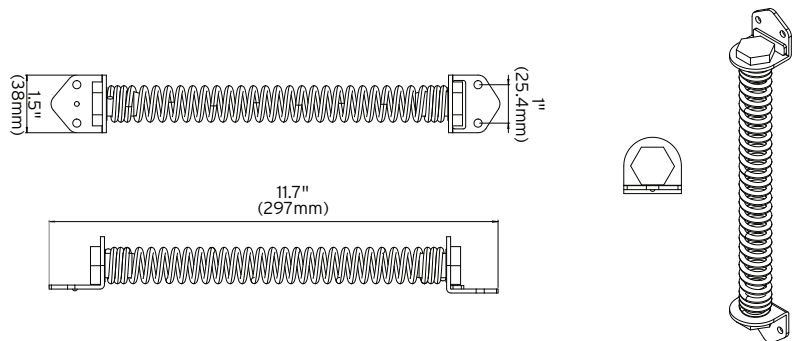
210006 – Contemporary Post Latch



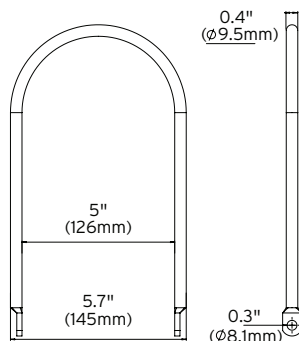
410003 – 24" Drop Bolt • 410004 – 40" Drop Bolt



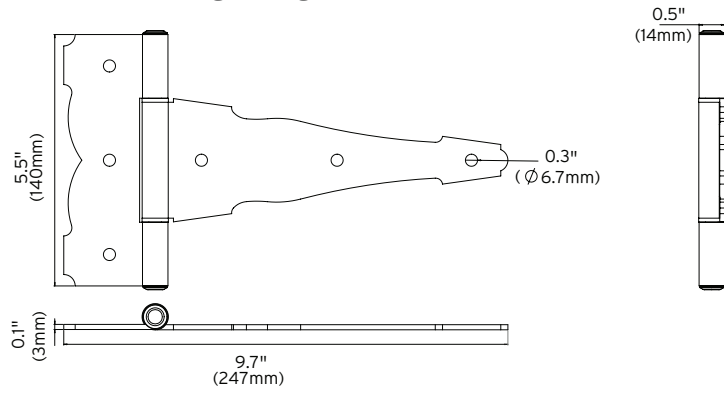
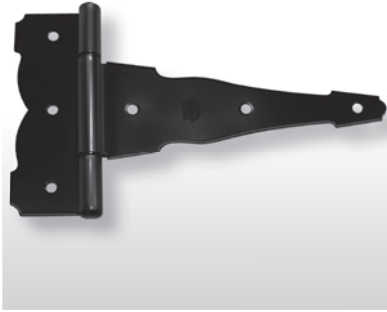
410001 – 11" Gate Spring • 410002 14" Gate Spring



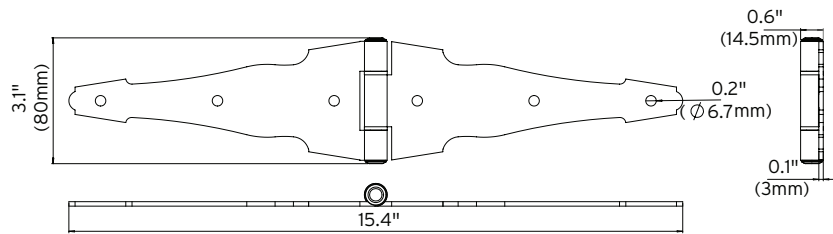
220001– Round Rail Loop latch • 420001– Anti-sag Kit



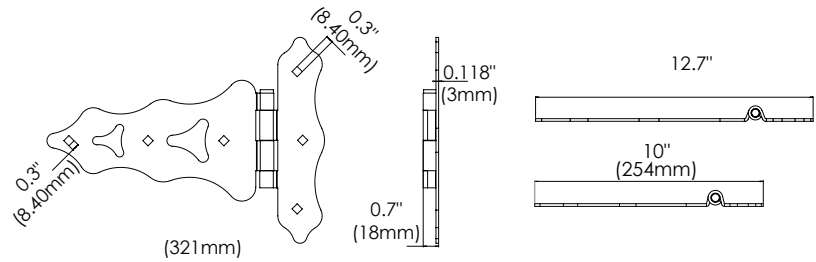
310001 - 8" T-Hinge Regular Decorative



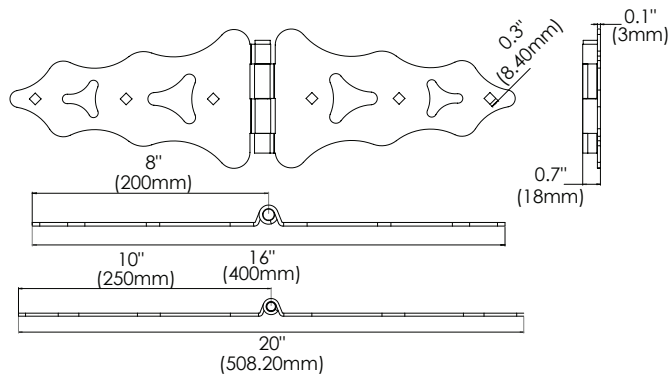
310002 - 8" Strap Hinge Regular Decorative



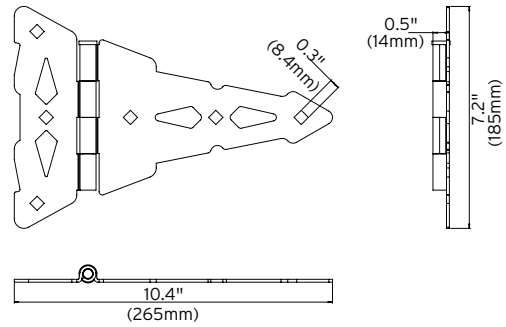
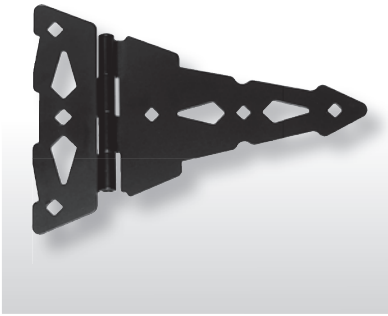
310003 - 10" T-Hinge HD Traditional 310004 - 8" T-Hinge HD Traditional



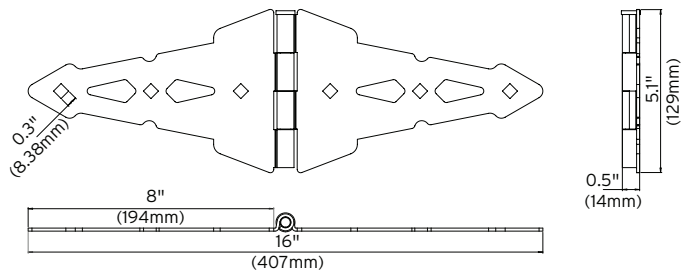
310005 - 10" Strap Hinge HD Traditional 310006 - 8" Strap Hinge HD Traditional



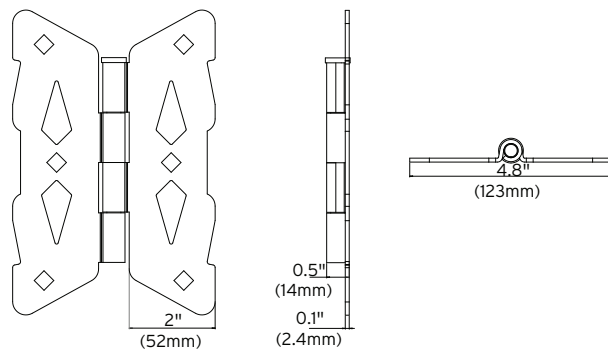
310007 - 8" T-Hinge HD Contemporary



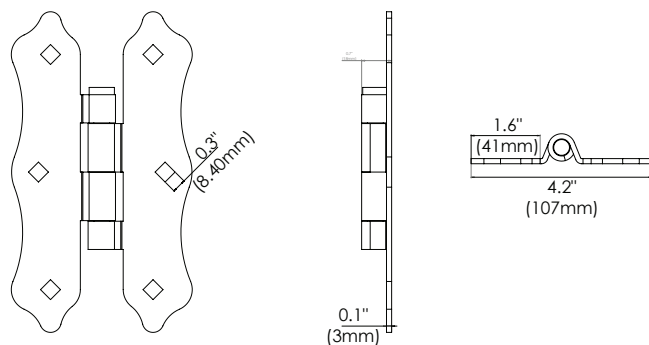
310008 - 8" Strap Hinge Contemporary



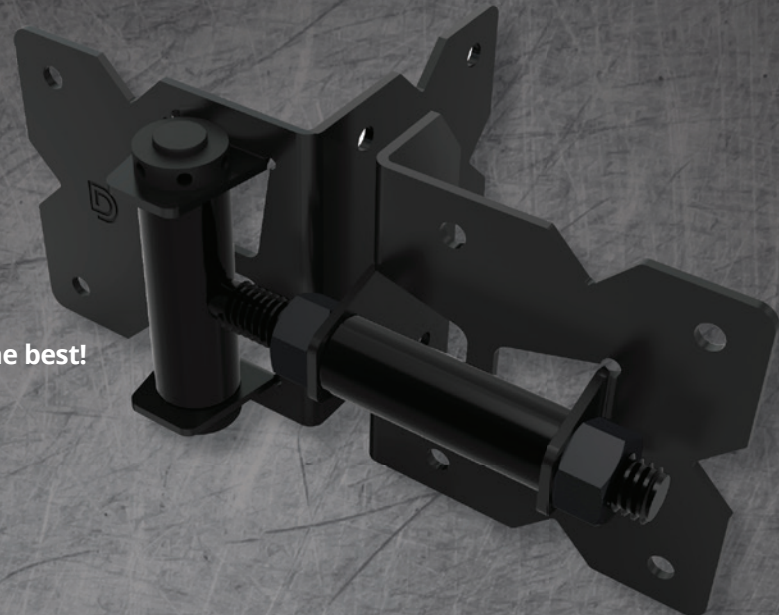
310009 - 8" Butterfly Hinge Contemporary



310010 - 8" Butterfly Hinge Traditional

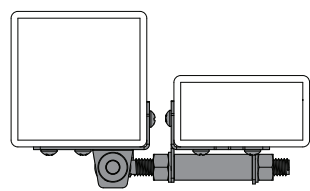


Fully powder-coated hinges and latches for wood or vinyl gates

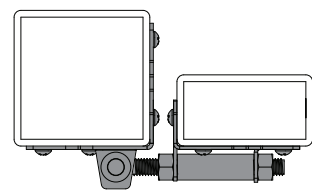


- D&D branded so you know you're getting the best!
- 100% marine-grade powder-coated finish (no unfinished surfaces)
- Self-closing, tension-adjustable hinges
- Regular and Heavy Duty models
- Non-spring versions available
- Standard and Narrow side-fixing legs
- Stainless steel screws + tension-adjustment tool included
- Horizontally adjustable
- Standard and contemporary post latches
- Latches accommodate most padlock sizes (padlock not included)

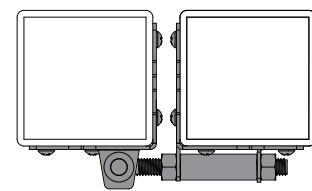
CODE	MODEL / FEATURE	SIDE FIXING LEGS	GAP VARIANCE	COLOR	FASTENERS INCLUDED	SOLD AS
DDSHDSS	Heavy Duty Hinge - No spring, plain pivoting	Standard to Standard	5/8" - 2 3/8" (16-60mm)	Black	Self-drilling 410 Stainless Steel	Pair
DDSHSSA	Regular Hinge - Self-closing, tension adjustable	Standard to Standard	5/8" - 1 3/16" (16-30mm)	Black	Self-drilling 410 Stainless Steel	Pair
DDSHNNA DDS2HNNAW	Regular Hinge - Self-closing, tension adjustable	Narrow to Narrow	5/8" - 1 3/16" (16-30mm)	Black/ White	Self-drilling 410 Stainless Steel	Pair
DDSHSN	Regular Hinge - No spring, plain pivoting	Standard to Narrow	5/8" - 1 3/4" (16-45mm)	Black	Self-drilling 410 Stainless Steel	Pair
DDSHSNA DDS2HSNAW	Regular Hinge - Self-closing, tension adjustable	Standard to Narrow	5/8" - 1 3/16" (16-30mm)	Black/ White	Self-drilling 410 Stainless Steel	Pair
DDSHSS	Regular hinge - No Spring, plain pivoting	Standard to Standard	5/8" - 1 3/4" (16-45mm)	Black	Self-drilling 410 Stainless Steel	Pair
DDSHNW3A DDS2HNNW3AW	Regular Hinge - Self-closing, tension adjustable	Narrow to Wrap 2"	5/8" - 1 3/16" (16-30mm)	Black/ White	Self-drilling 410 Stainless Steel	Pair
DDSL2 DDSL2W	Standard Post Latch	Standard to Narrow	3/4" - 1 1/2" (19-38mm)	Black/ White	Self-drilling 410 Stainless Steel	Each
DDSLM	Contemporary Post Latch	Standard to Narrow	3/4" - 2" (19 - 50mm)	Black	Self-drilling 410 Stainless Steel	Each



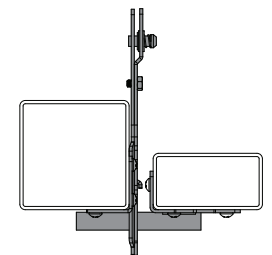
DDSHNNA
Narrow to Narrow



DDHSNA
Standard to Narrow

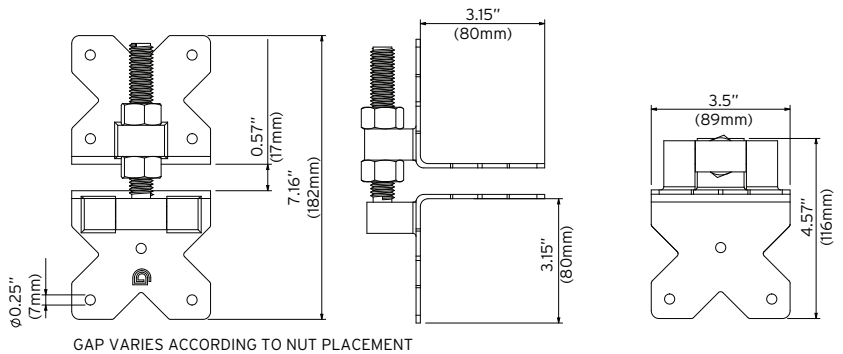
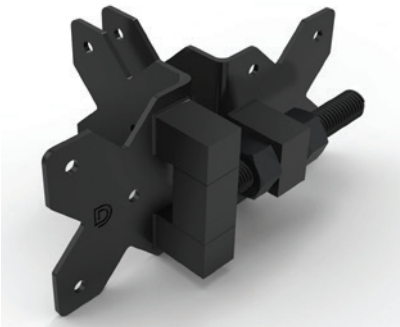


DDSHSS
Standard to Standard

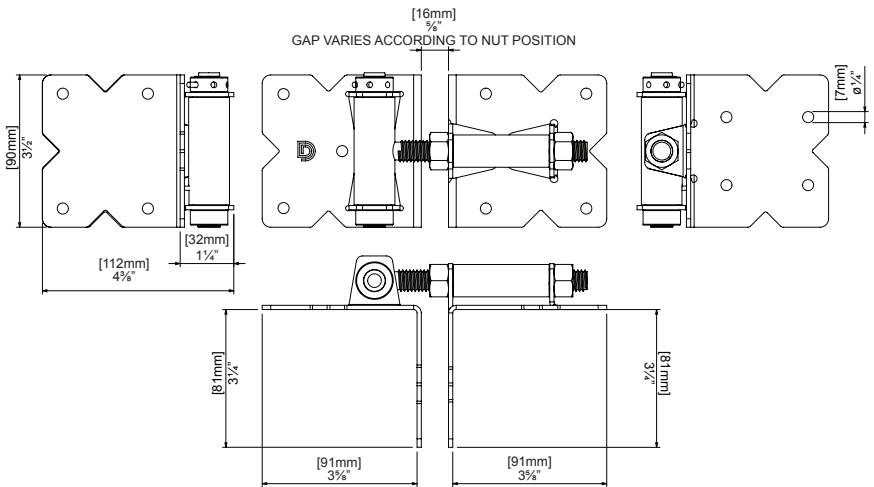
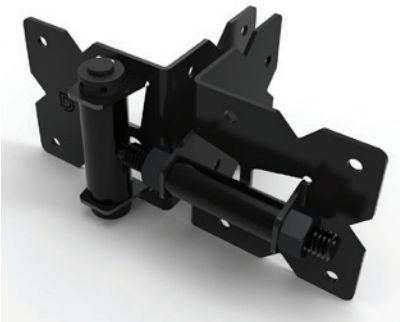


DDSLM
Standard to Narrow

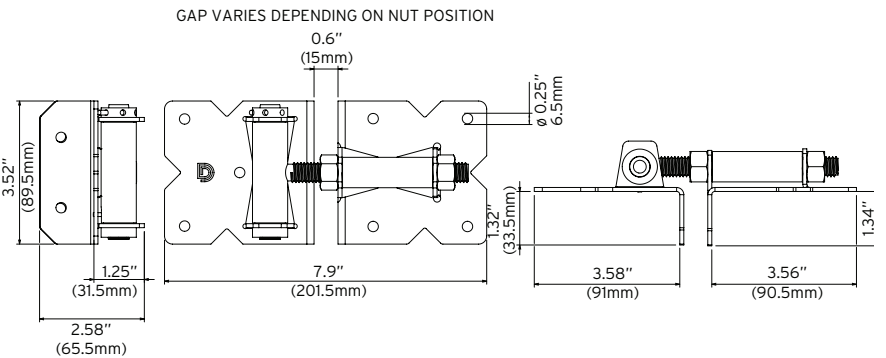
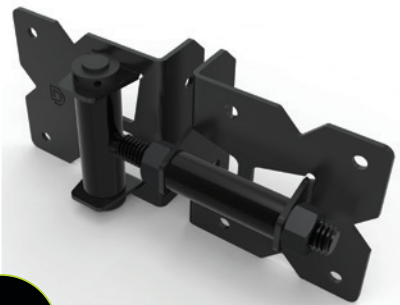
DDSHDSS Heavy Duty Hinge.
No spring, plain pivoting.
Standard to Standard.



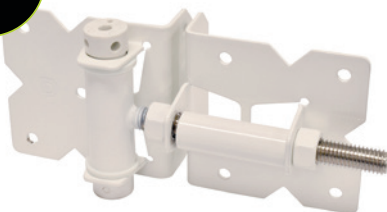
DDSHSSA Regular Hinge
Self-Closing, tension adjustable.
Standard to Standard.



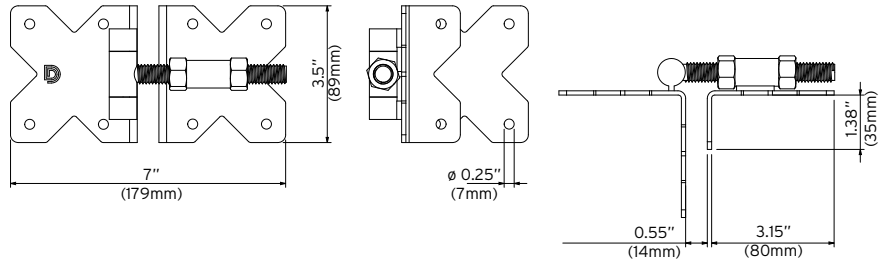
DDSHNNA/DDS2HNNAW Regular Hinge.
Self-closing, tension adjustable.
Narrow to Narrow.



**NEW
 PRODUCT**



DDSHSN Regular Hinge.
No spring, plain pivoting.
Standard to Narrow.

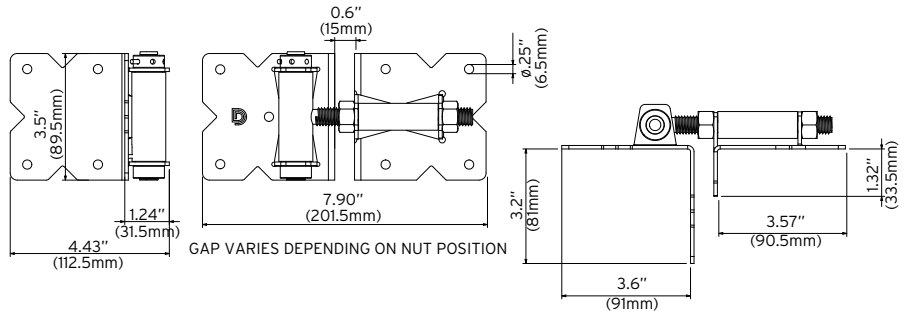


GAP VARIES ACCORDING TO NUT PLACEMENT

DDSHSNA/DDS2HSNAW Regular Hinge.
Self-closing, tension adjustable.
Standard to Narrow.

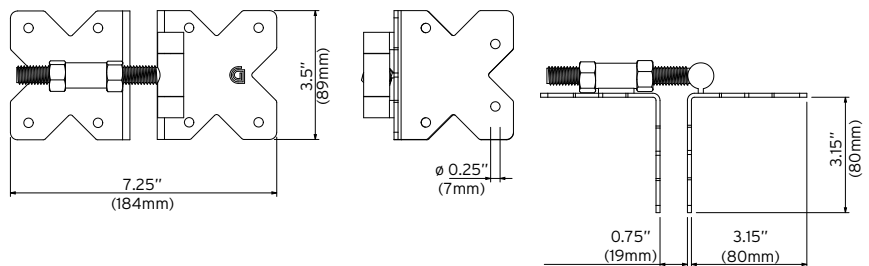


**NEW
 PRODUCT**



GAP VARIES DEPENDING ON NUT POSITION

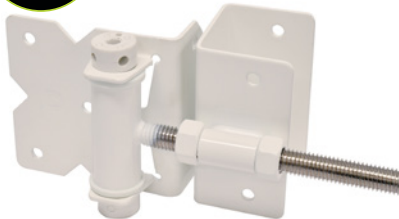
DDSHSS Regular Hinge.
No spring, plain pivoting.
Standard to Standard.



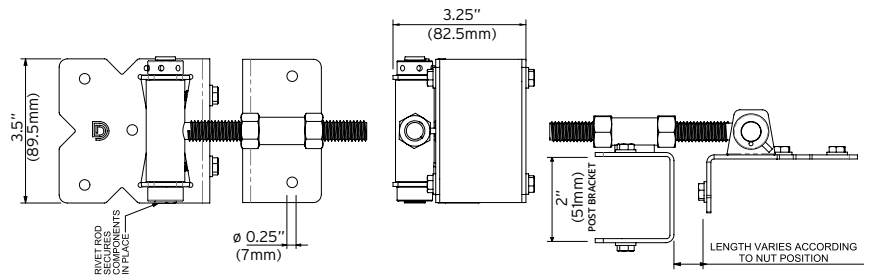
GAP VARIES ACCORDING TO NUT POSITION



**NEW
PRODUCT**



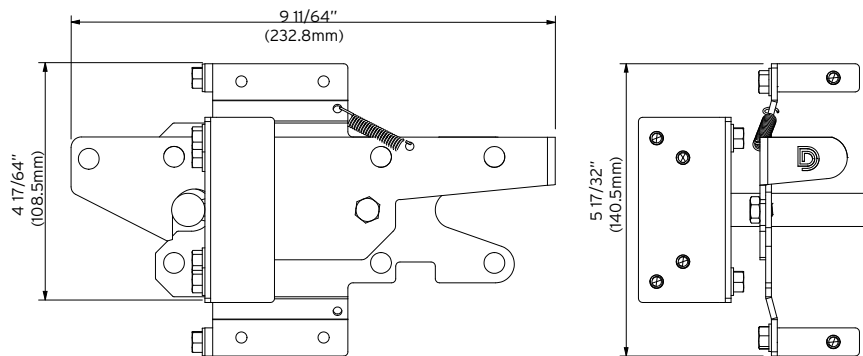
**DDSHNW3A/DDS2HNW3AW Regular Hinge.
Self-closing, tension adjustable.
Standard to 2" (51mm) wrap-around**



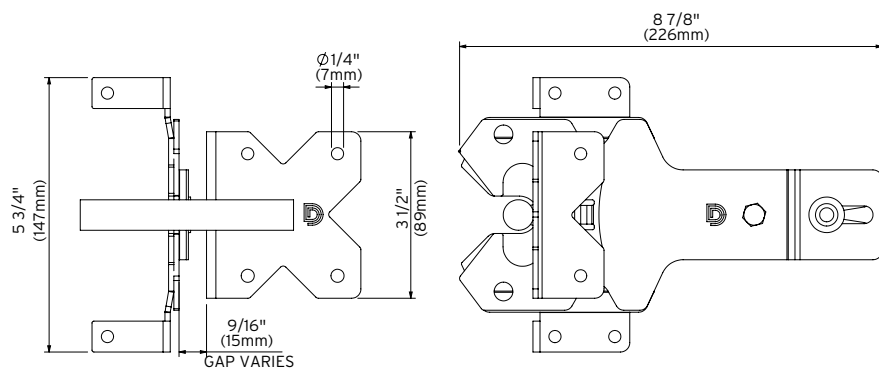
**NEW
PRODUCT**



**DDSSL2/DDSL2W Standard Post Latch.
Standard to Narrow.**



**DDSLM Contemporary Post Latch.
Standard to Narrow.**



Swimming Pool Gate Compliance & Safety



These are important product features and steps that should be considered when choosing a pool safety gate and associated latches and hinges.

A pool gate can and should be made safe, one that will restrict unauthorized access by adventurous toddlers and fully comply with international Codes/Standards for swimming pool gates and fences.



Safety checklist for pool gates

- ✓ Gate should open outwards, away from the pool
- ✓ Latch release knob should be out of reach of children under 5 years. (Check local Codes/Standards for minimum requirements.)
- ✓ Fence should be at a minimum height to comply with your region. (Check local Codes/Standards for minimum requirements.)
- ✓ Gate must be self-latching (self-closing)
- ✓ Fence perimeter must have adequate distance from other climbable objects or structures
- ✓ Gate carries reliable and tension-adjustable hinges
- ✓ Latch cannot be key-locked in the "open" position
- ✓ Latch cannot be opened using implements or force
- ✓ Maximum clearance from finished ground surface is no more than 4" (100mm)
- ✓ Gate will latch from any position, including from resting on the latching mechanism
- ✓ Gate complies with all relevant Codes/Standards and legislation for pool safety

NOTE: Information above is supplied and expressed by D&D Technologies in the interests of consumer and public safety. Always check requirements with local building officials re Codes & ordinances in your area. For USA visit www.cpsc.gov
For details of Australian Standards relating to gate and fence safety visit Standards Australia at www.standards.com.au (AS1926.1-2012).

THE LATCH

Magnetically triggered latching (i.e. no mechanical resistance to closure).

Gate latch cannot be released by pushing, pulling or shaking gate.

Latch release knob works independently of the latch bolt mechanism ("Lost Motion"). Latch will engage at all times.

Key lockable for added security, but ensures the latch cannot be locked open.

Quality tested, magnetic mechanism that will not fail with use or from environmental factors.

Ability to adjust the latch vertically and horizontally to correct for gate movement.

Latch mechanism (shrouded) cannot be opened with common implements.

THE HINGE

Self-closing hinges should be easily tension-adjustable, before and after installation.

Reliable hinges made from industrial-strength polymer and stainless steel components.

Hinges are guaranteed against rust, binding, sagging or staining.

IMPORTANT: It is the responsibility of the property owner to regularly check that pool gates (including latches and self-closing hinges) are maintained to prevent unauthorized access to pools by toddlers.



D&D Technologies

World's most trusted gate hardware ddtech.com

- INNOVATION
- QUALITY & VALUE
- ADVANCED ENGINEERING & MATERIALS
- STRATEGIC GLOBAL PARTNERS
- VALUE-ADDED CUSTOMER SERVICE & SUPPORT

VOLUME 15



AUSTRALIA:

D&D Technologies Pty Ltd
Unit 6, 4-6 Aquatic Drive, Frenchs Forest NSW 2086
Tel: (02) 9454 7888 Fax: (02) 9454 7688.
E-mail: sales@ddtech.com.au

EUROPE:

D&D Technologies B.V.
Niasstraat 1, 3531 WR Utrecht, The Netherlands
Tel: +31 (0)30 291 98 47 Fax: +31 (0)30 291 99 98
E-mail: sales@ddtech.nl

NORTH & SOUTH AMERICA:

D&D Technologies (USA) Inc.
7020 Reames Rd. Suite D Charlotte, NC 28216
Tel: (800) 716-0888 or (714) 677-1300
Fax: (800) 464-6400 or (714) 677-1299
E-mail: info@ddtechusa.com

UK:

D&D Technologies,
Charlwoods Road, East Grinstead,
West Sussex RH19 2HR
Tel: +44 (0) 1342 327280 Fax: +44 (0) 1342 327115
E-mail: enquiries@ddtechglobal.co.uk



www.ddtech.com



PROMO 194 15/01/24 Copyright© 2024, D&D Group Pty Ltd, Australia.

ISBN 9780648760504



9 780648 760504 >