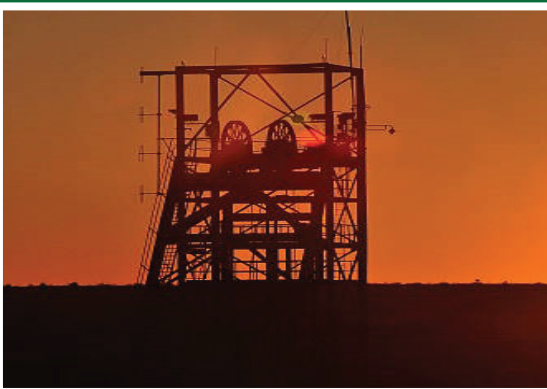




Carl Hamm

Pipes | Pumps | Solutions



CABLE DISPENSER



Carl Hamm Cable Dispenser

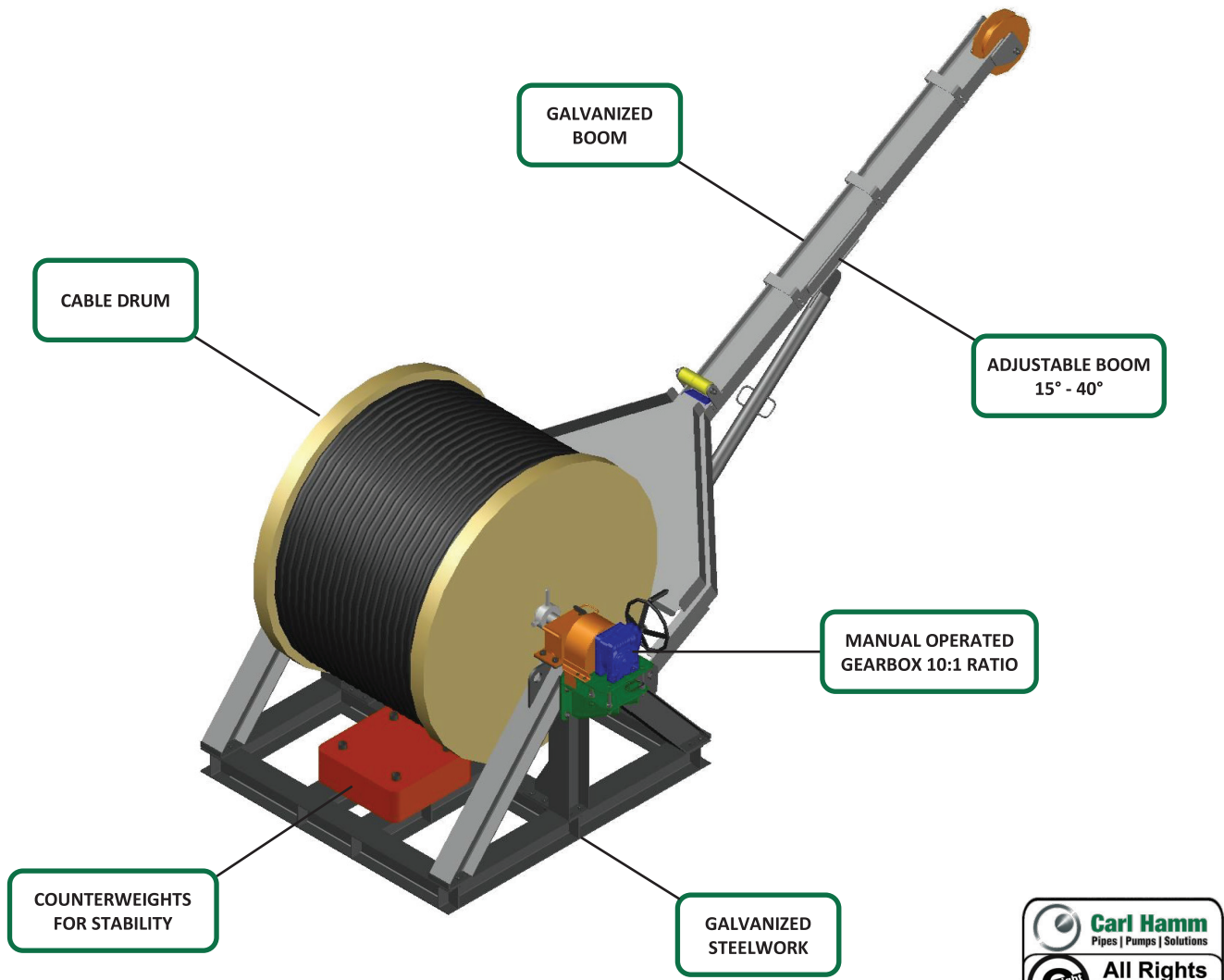
CARL HAMM PPS designed cable dispensers to assist with the installation of borehole power supply cables.

The traditional method used manpower to unwind and support the cable whilst fixing the power supply cables to the borehole piping. This method is very tedious and requires a large manpower contingent.

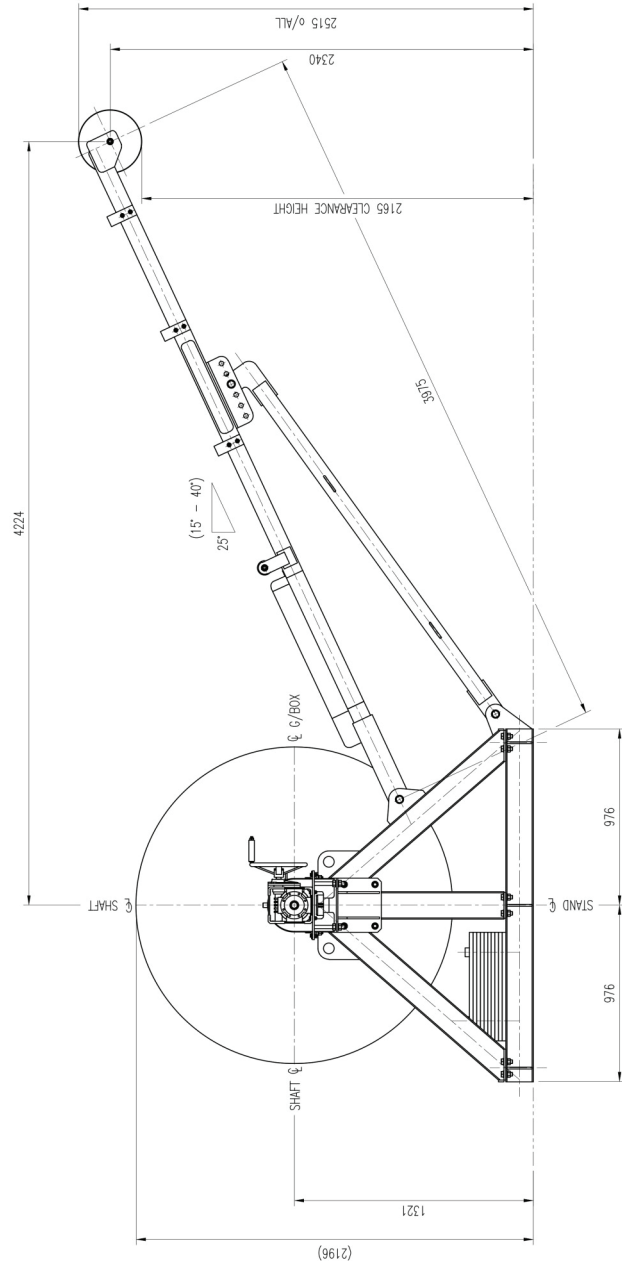
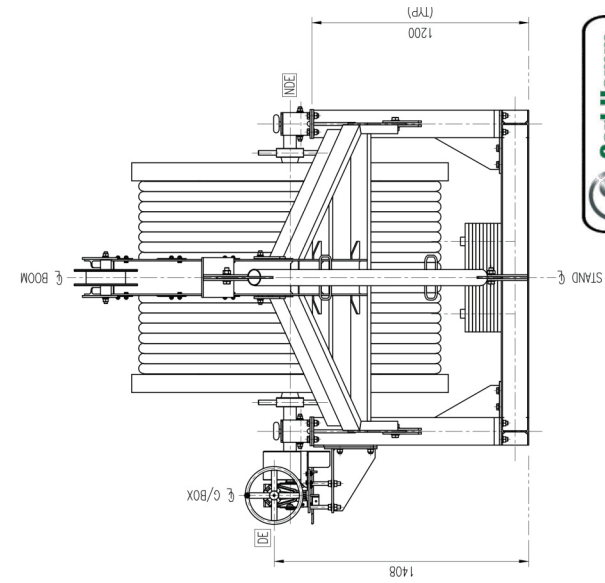
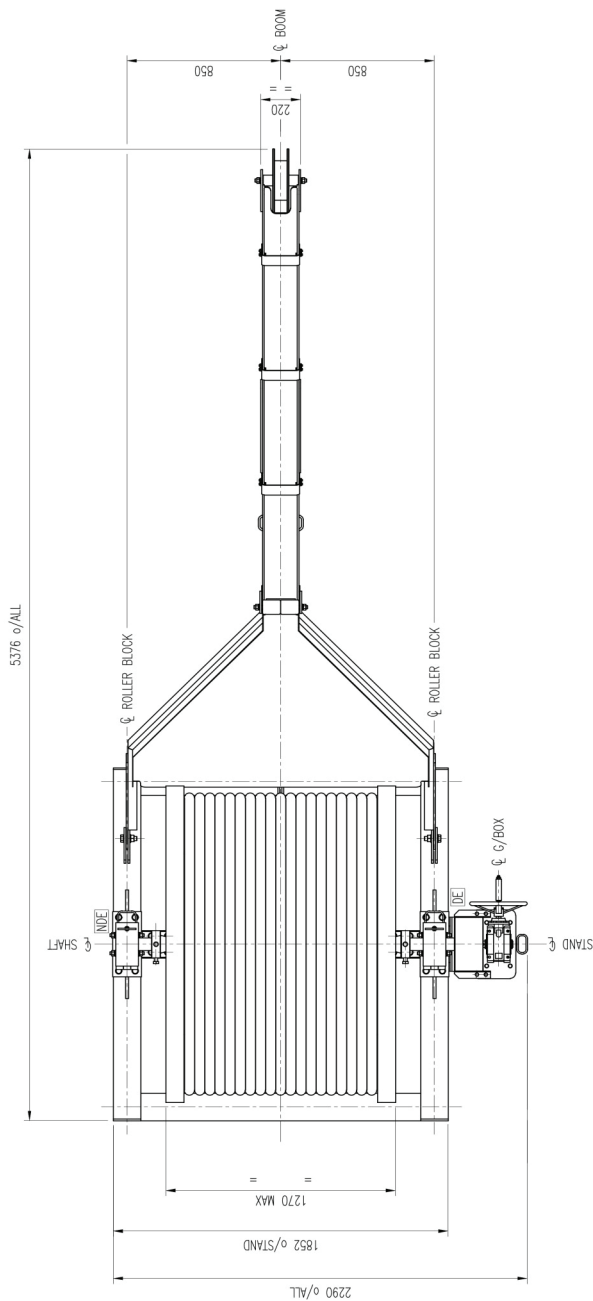
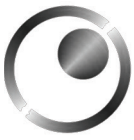
The cable dispenser unwinds and supports the cable, this requires less manpower and reduces the risk of injury to personnel.

CARL HAMM PPS offers two types of cable dispensers

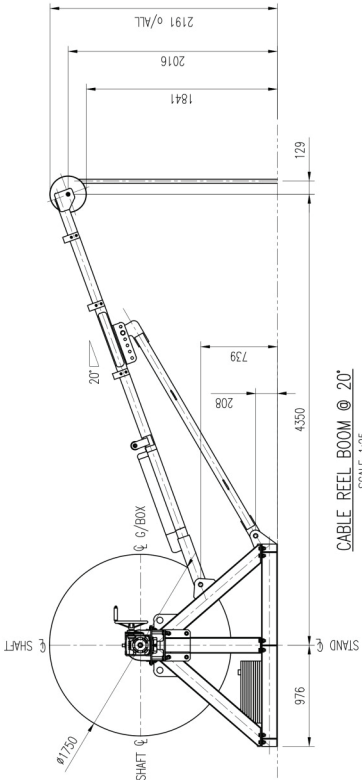
- 1750 x 1240 (Refer to page 3 for specifications)
- 3000 x 1340 (Refer to page 6 for specifications)



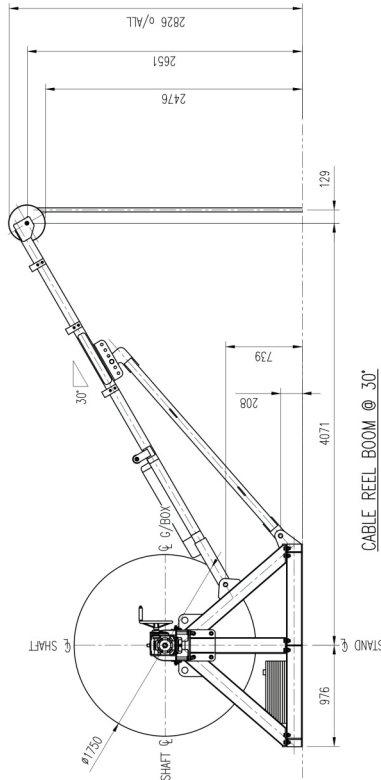
CABLE DISPENSER 1750 x 1270	
Cable dispenser mass (Excluding cable reel)	1476kg
Cable dispenser maximum mass (Including cable reel, max)	4476kg
Max height (Boom @ 40°)	3402mm
Max length (Boom @ 15°)	5598mm
Max width	2310mm
Max cable drum diameter	1750mm
Max cable drum width	1270mm
Max cable drum mass	3000kg
Max cable diameter	60mm
Max loading on boom sheave	200kg



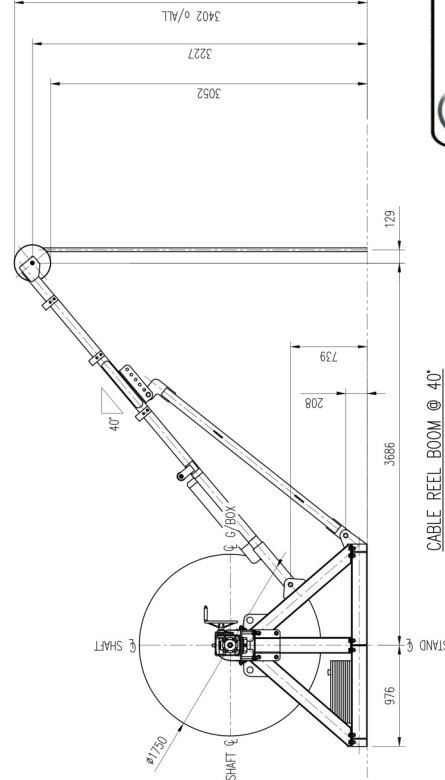
1750 x 1270 G.A



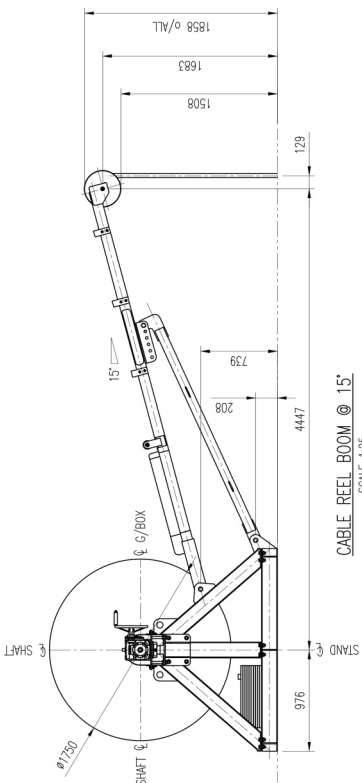
CABLE REEL BOOM @ 20°
SCALE 1:25



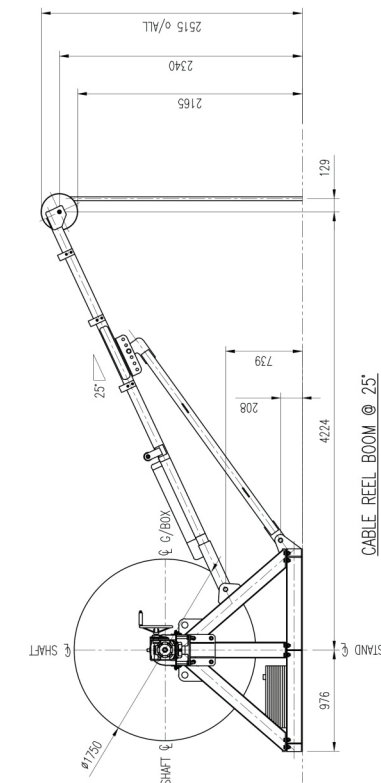
CABLE REEL BOOM @ 30°
SCALE 1:25



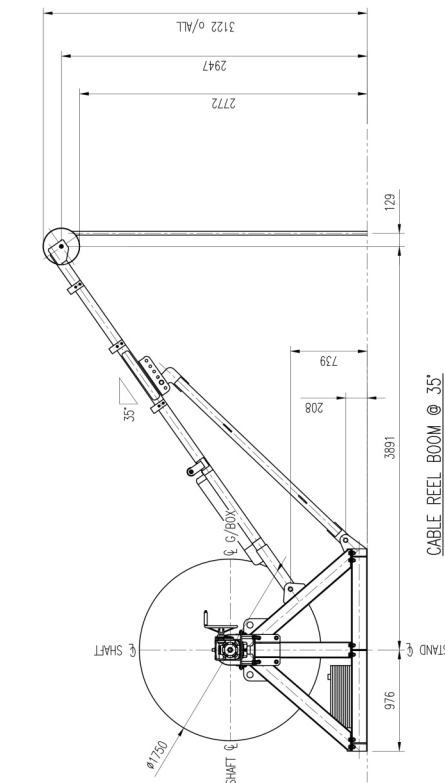
CABLE REEL BOOM @ 40°



CABLE REEL BOOM @ 15°
SCALE 1:25

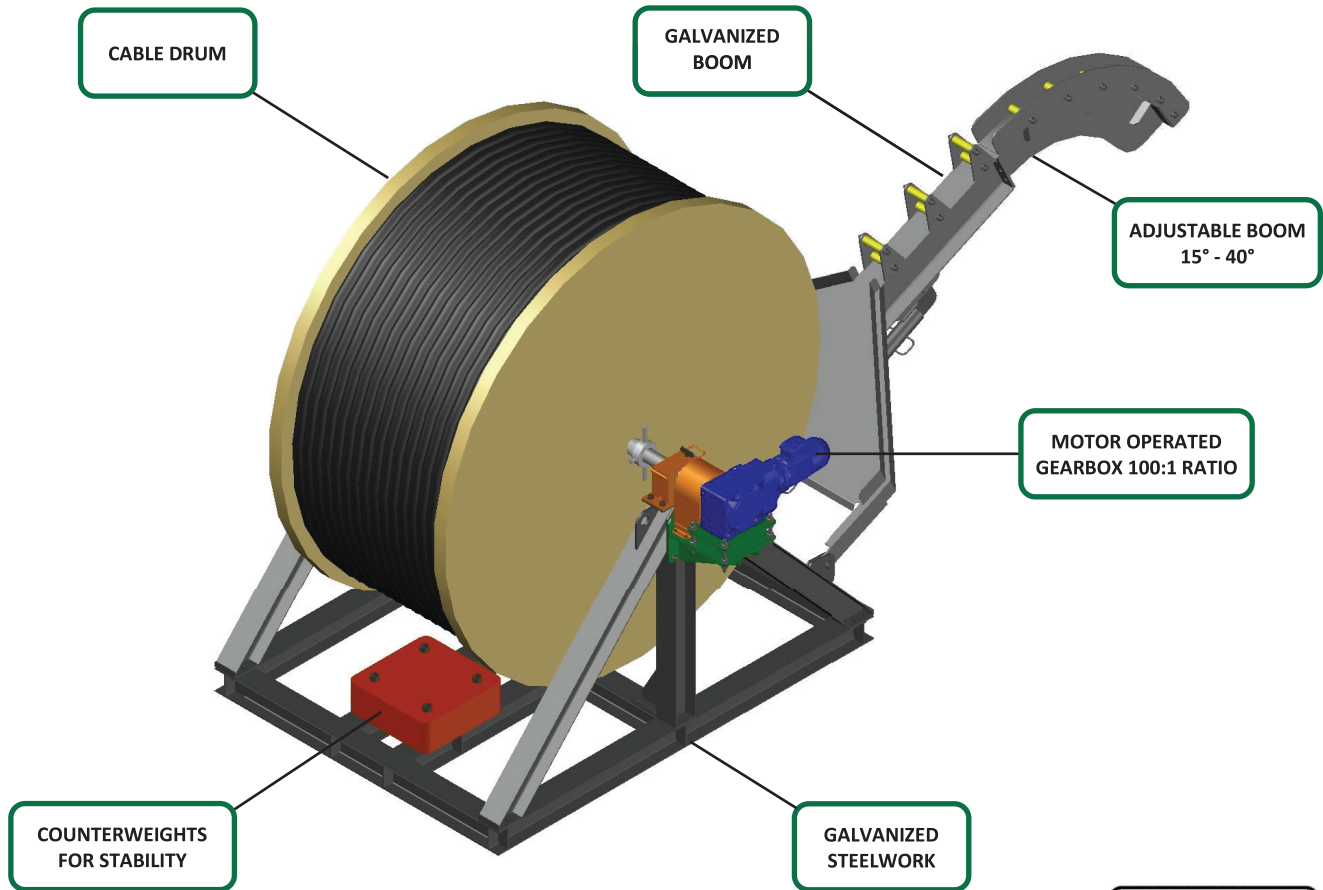


CABLE REEL BOOM @ 25°
SCALE 1:25

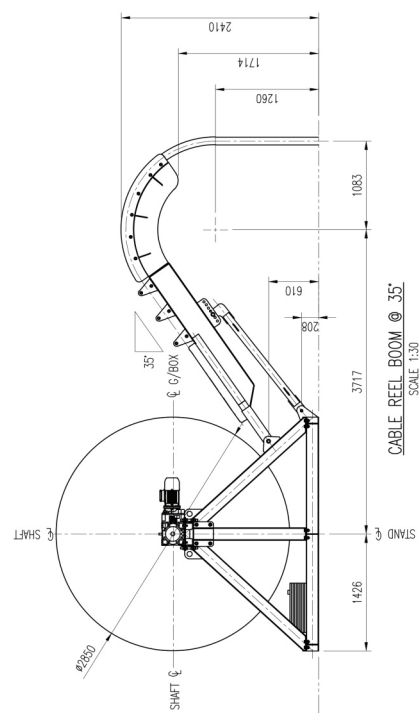
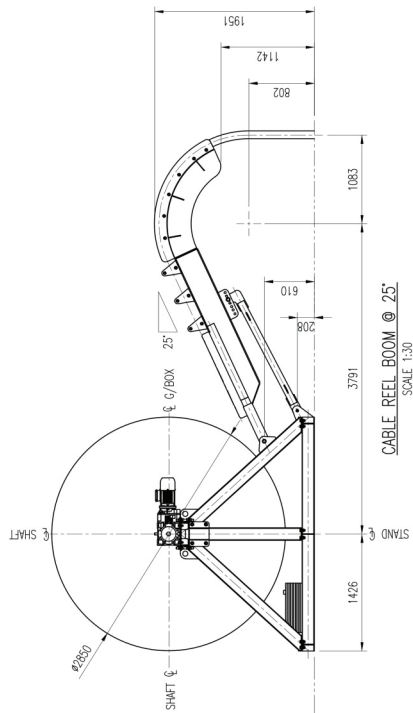
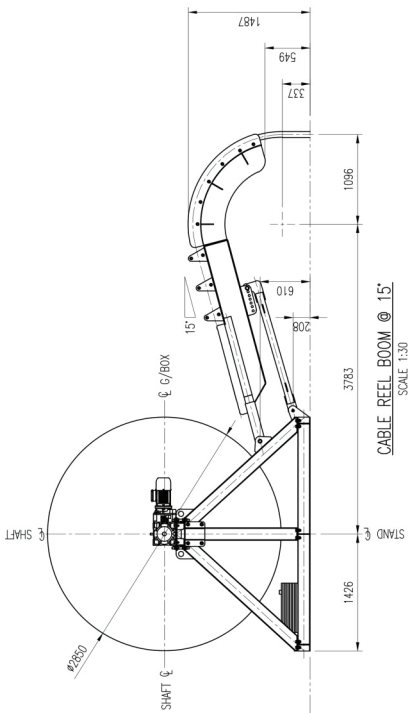
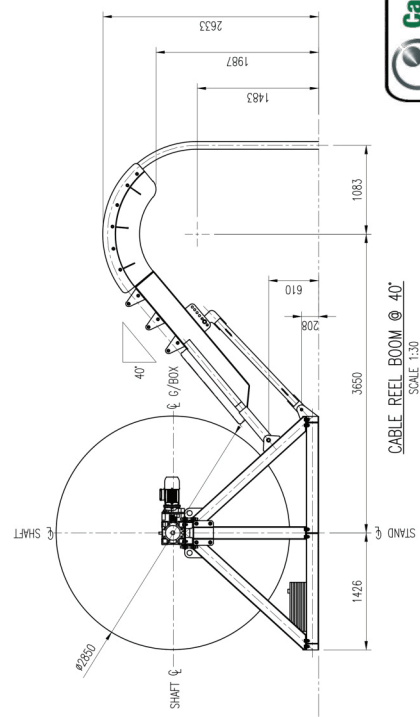
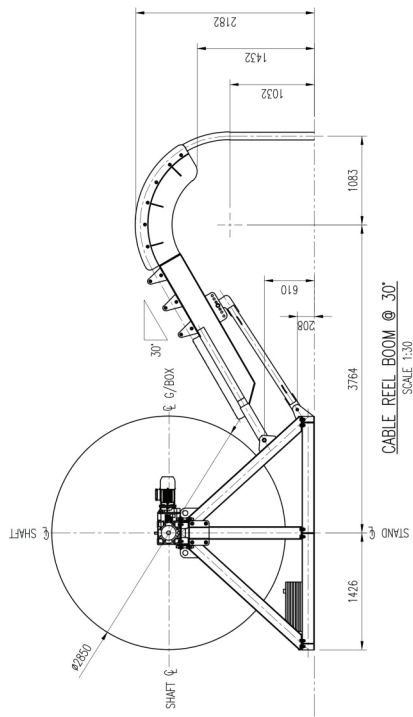
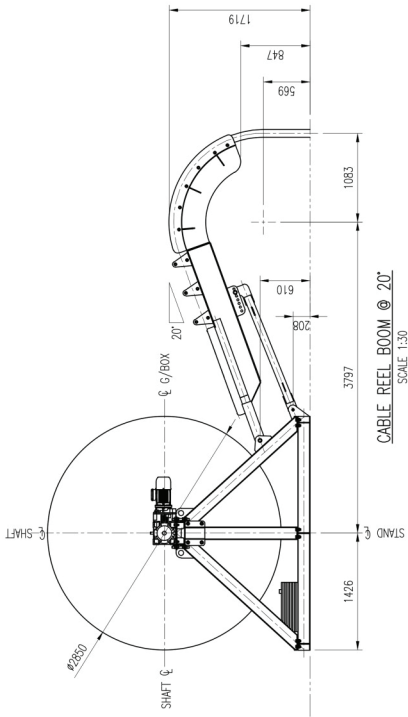
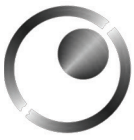


CABLE REEL BOOM @ 35°

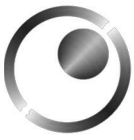
1750 x 1270 BOOM ADJUSTMENT



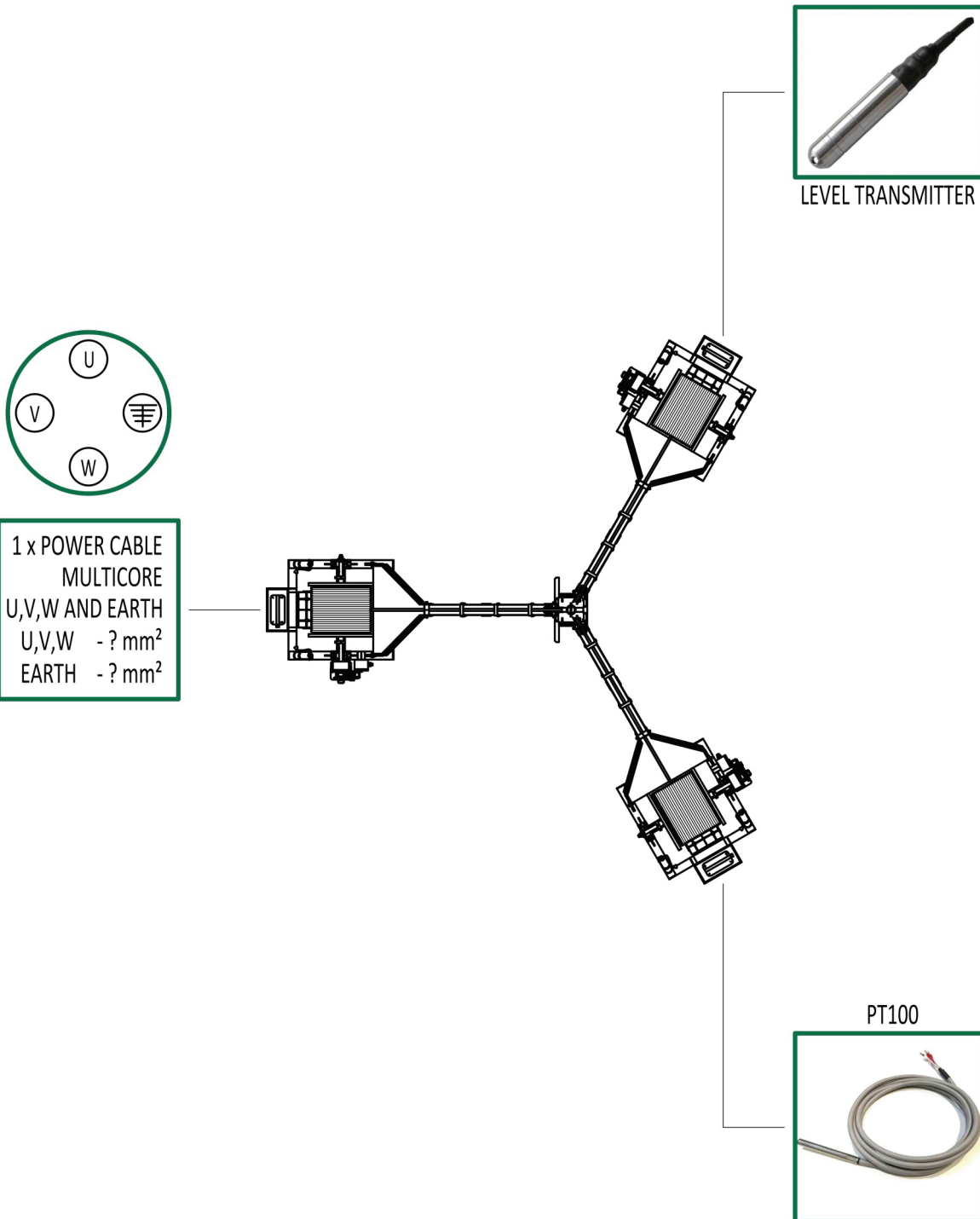
CABLE DISPENSER 3000 x 1340	
Cable dispenser mass (Excluding cable reel)	1849kg
Cable dispenser maximum mass (Including cable reel, max)	10849kg
Max height (Boom @ 40°)	2633mm
Max length (Boom @ 15°)	6308mm
Max width	2664mm
Max cable drum diameter	3000mm
Max cable drum width	1340mm
Max cable drum mass	9000kg
Max cable diameter	90mm
Max loading on boom end	500kg



3000 x 1340 BOOM ADJUSTMENT

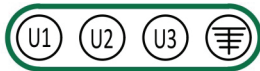
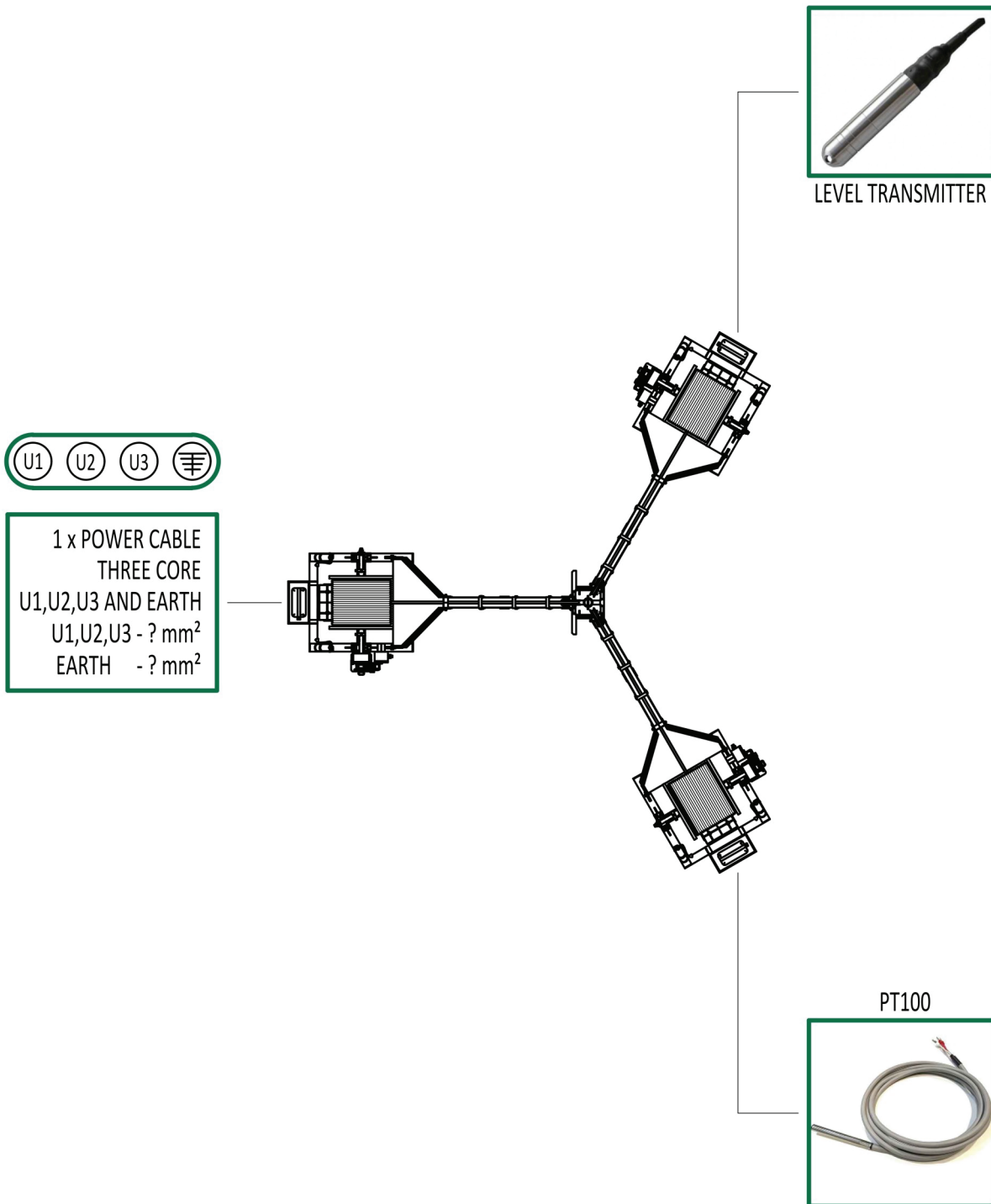


SINGLE FEED POWER MULTICORE + EARTH (MV, LV) 6.6kV, 3.3kV





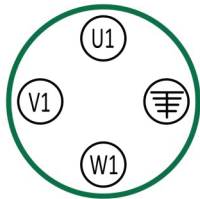
SINGLE FEED POWER THREE CORE + EARTH (MV, LV) 6.6kV, 3.3kV



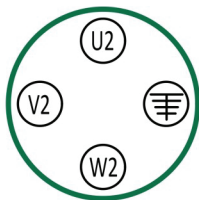
1 x POWER CABLE
THREE CORE
U1,U2,U3 AND EARTH
U1,U2,U3 - ? mm²
EARTH - ? mm²



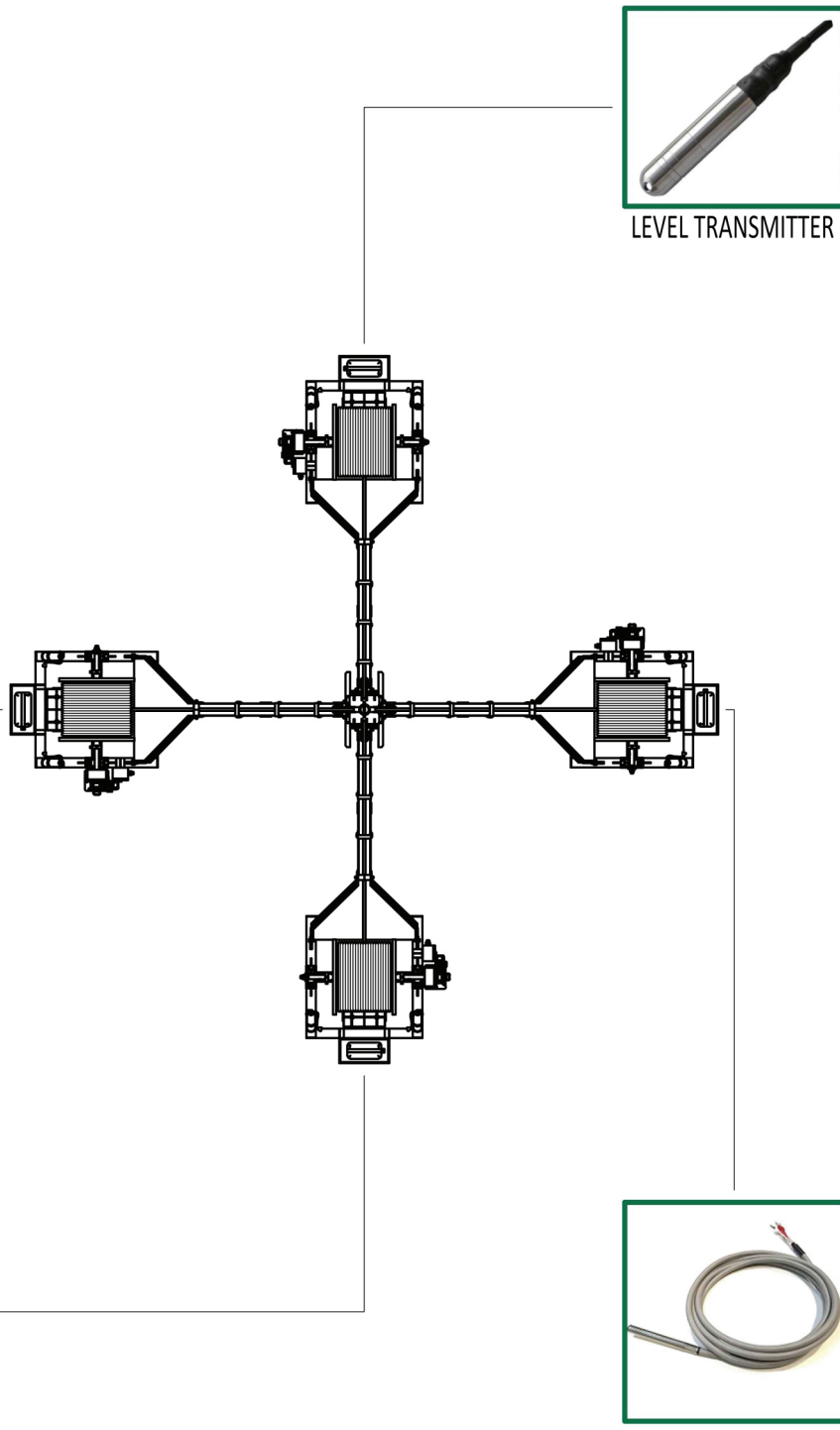
LV DUAL MULTICORE + EARTH



1 x POWER CABLE
MULTICORE
U1,V1,W1 AND EARTH
U1,V1,W1 - ? mm²
EARTH - ? mm²



1 x POWER CABLE
MULTICORE
U1,V1,W1 AND EARTH
U1,V1,W1 - ? mm²
EARTH - ? mm²

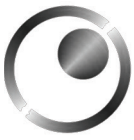


LEVEL TRANSMITTER

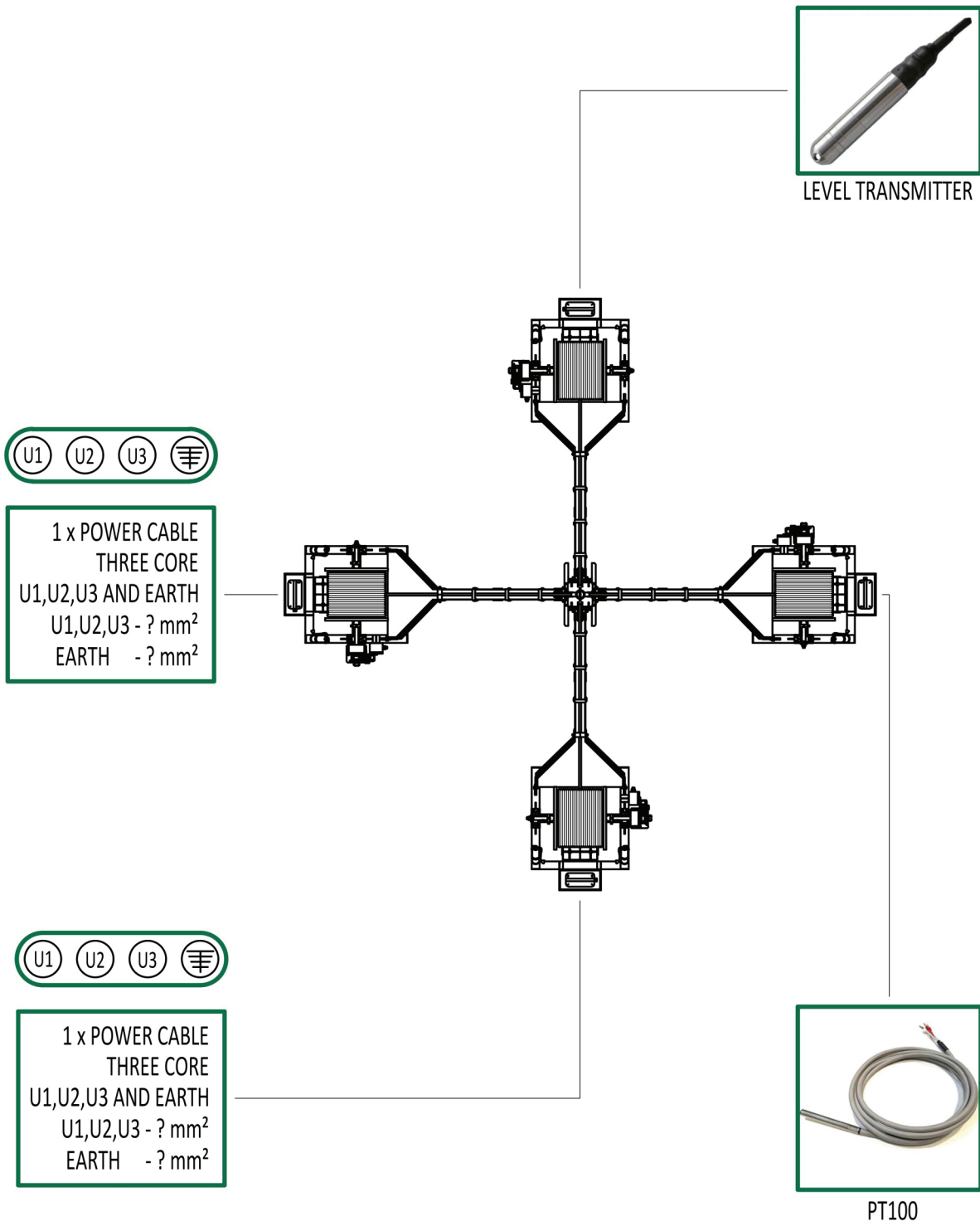


PT100



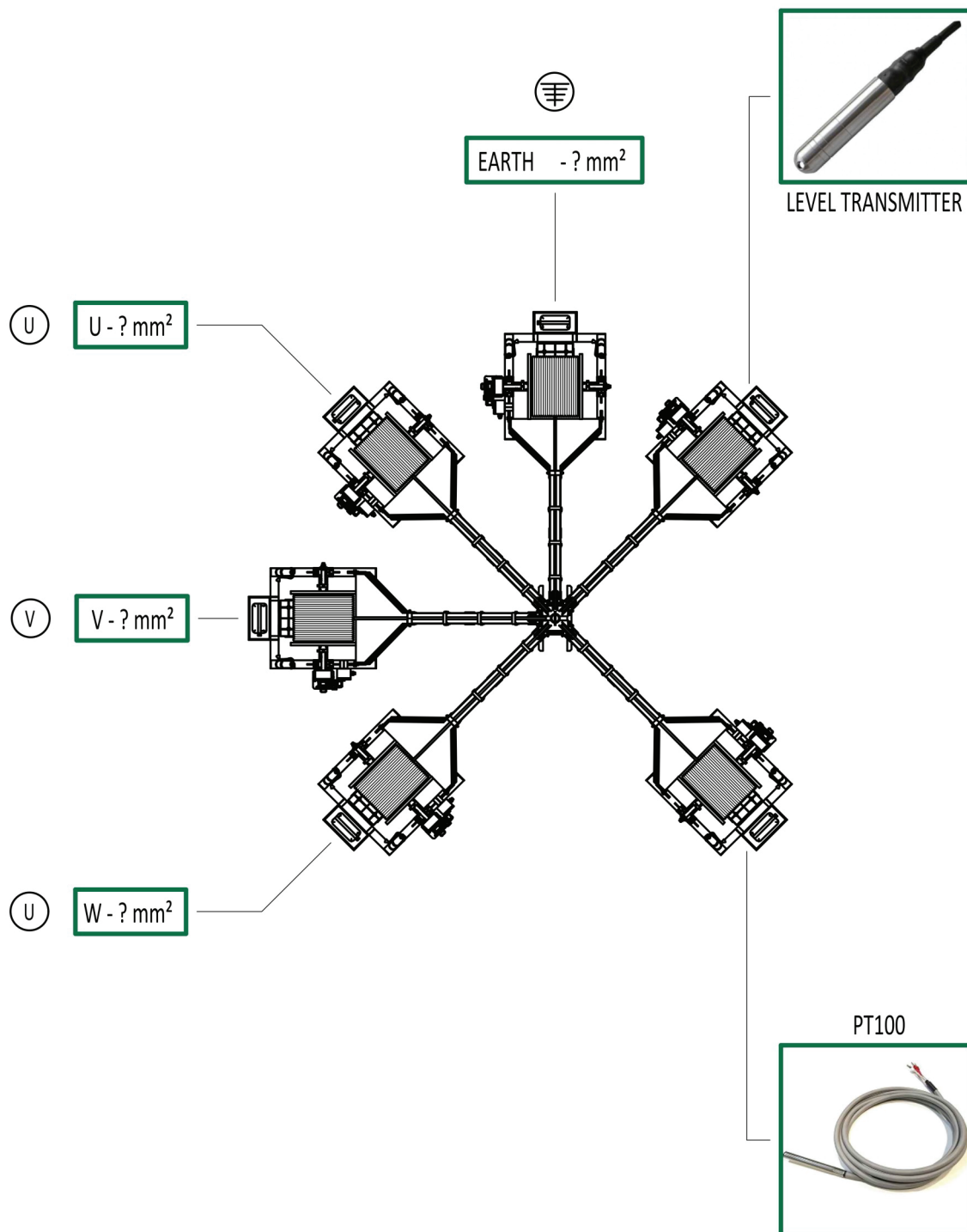


LV DUAL THREE CORE + EARTH



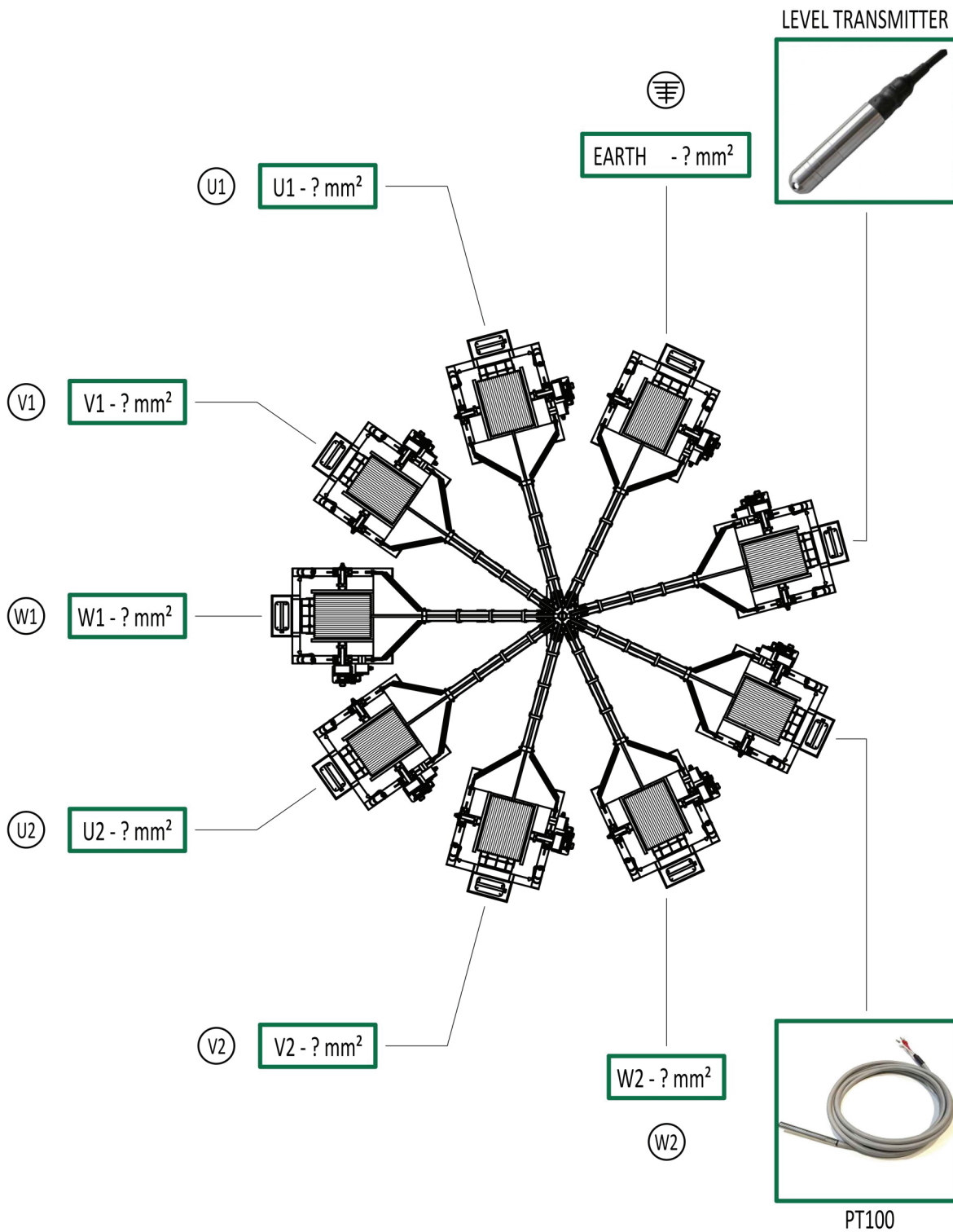


3 x SINGLE CORE + EARTH





6 x SINGLE CORE + EARTH







Carl Hamm

Pipes | Pumps | Solutions

Competence, experience, innovative thinking, modern manufacturing plants and motivated employees form the basis of our services.

With the flexibility of a modern, medium-sized company and the experience of our over 90-year history, we are well equipped to meet the requirements of the future.

The numerous certifications and technical approvals of course ensure that we serve our customers with the highest quality standards through the complete project phases.

Our product range focuses on water, waste water and power industries, tunnel construction and well sinking as well as open-pit and underground mining.

We as a competent partner ensure an added value for the specific customer needs: from the conceptual planning to professional production and punctual delivery.



Headquarters of Carl Hamm in Essen, Germany

Röhrenwerk Kupferdreh Carl Hamm GmbH

Gasstraße 12
D-45257 Essen
Germany

dieter.schmitz@carl-hamm.com
www.carl-hamm.de
Tel.: +49 (021) 848 1723
Fax: +49 (201) 848 1770
Mobile: +49 (151) 503 12104

Carl Hamm PPS (Pty.) Ltd

2 Bickford rd, Founders Hill, Kempton Park, Gauteng
PO Box 1492, Boksburg, Germiston, 1460
South Africa

chris@carl-hamm.co.za
www.carl-hamm.co.za
Tel.: +27 (0)72 256 0926