



**PROCRAFT**  
CABINETS



**Milania by ProCraft  
Cabinetry**

**Product  
Specification Guide**

**Winter 2024**

# TABLE OF CONTENTS

<u>Section</u>	<u>Page</u>
Doors Introduction .....	3
Box Construction .....	7
Wall Cabinets .....	8
Base Cabinets .....	17
Tall Cabinets .....	26
Vanity Cabinets .....	30
Open Cubby .....	34
Accessories .....	38
Sales Aid & Marketing Materials .....	48
Modifications .....	51



# Milania

By ProCraft Cabinetry

**M01-  
Murati  
Textured**



**M02-  
Olmo  
Textured**



**M03-  
Carbon  
Frozen  
Wood**



**M04-  
White  
Frozen  
Wood**



**M05-  
Lakeland  
Oak 2  
Texture**



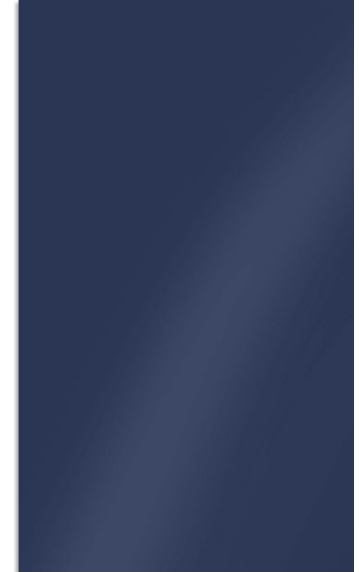
**M06-  
Anniversary  
Oak 2**



**M07-  
Lakeland  
Oak 3  
Texture**



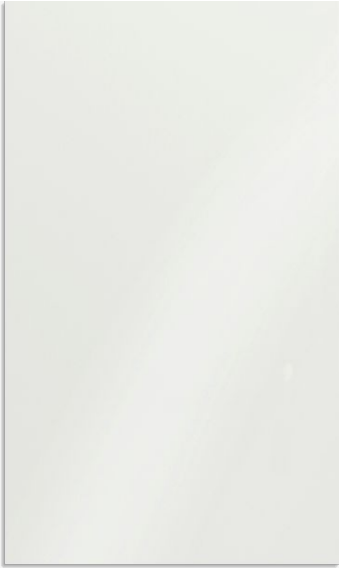
**M08-  
Indigo Blue  
Gloss**



# Milania

By ProCraft Cabinetry

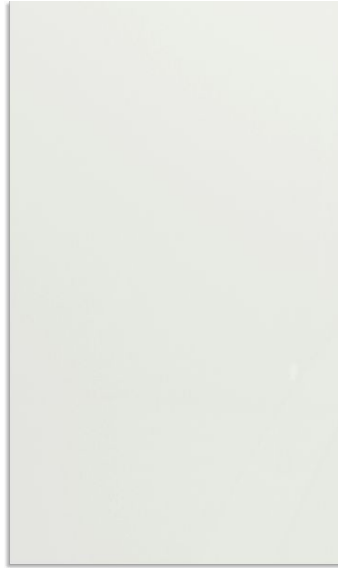
**M09-  
Blanco  
Gloss**



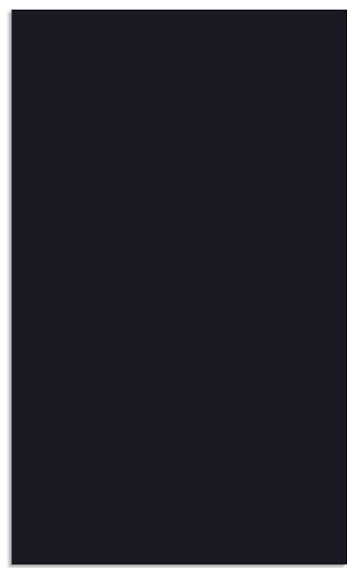
**M10-  
Negro  
Gloss**



**M11-  
Blanco  
Matte**



**M12-  
Negro  
Matte**



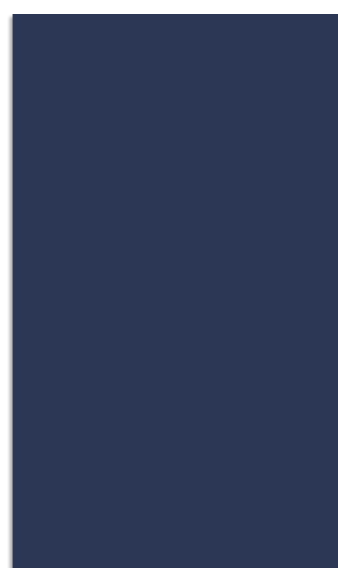
**M13-  
Gris Plomo  
Gloss**



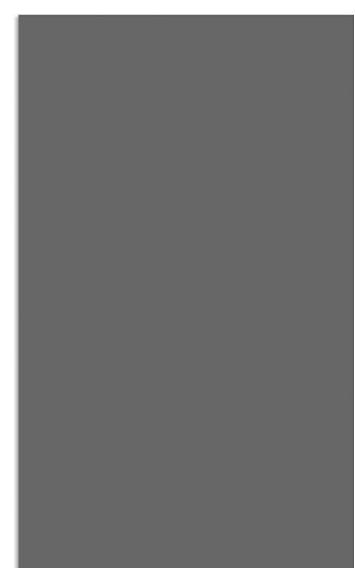
**M14-  
Cashmere  
Gloss**



**M15-  
Indigo Blue  
Matte**



**M16-  
Gris Plomo  
Matte**



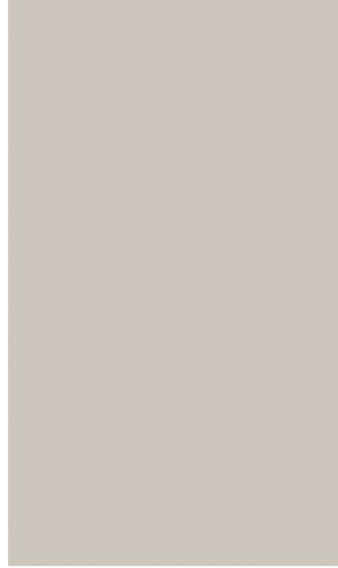
# Milania

By ProCraft Cabinetry

**M17-  
Gris Nube  
Matte**



**M18-  
Cashmere  
Matte**



**M19-  
Olmo Gloss**



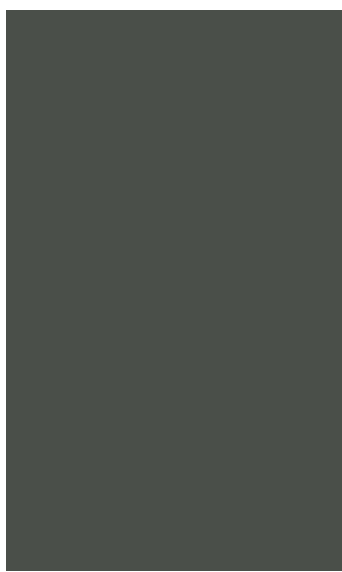
**M20-  
Guayana  
Gloss**



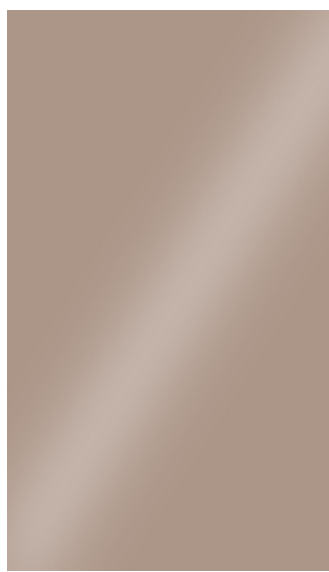
**M21-  
NOCCE  
TEXTURE**



**M22-  
FOREST  
GREEN MATTE**



**M23-  
BASALTO  
GLOSS**



**M24-  
BASALTO  
MATTE**



# Milania

By ProCraft Cabinetry

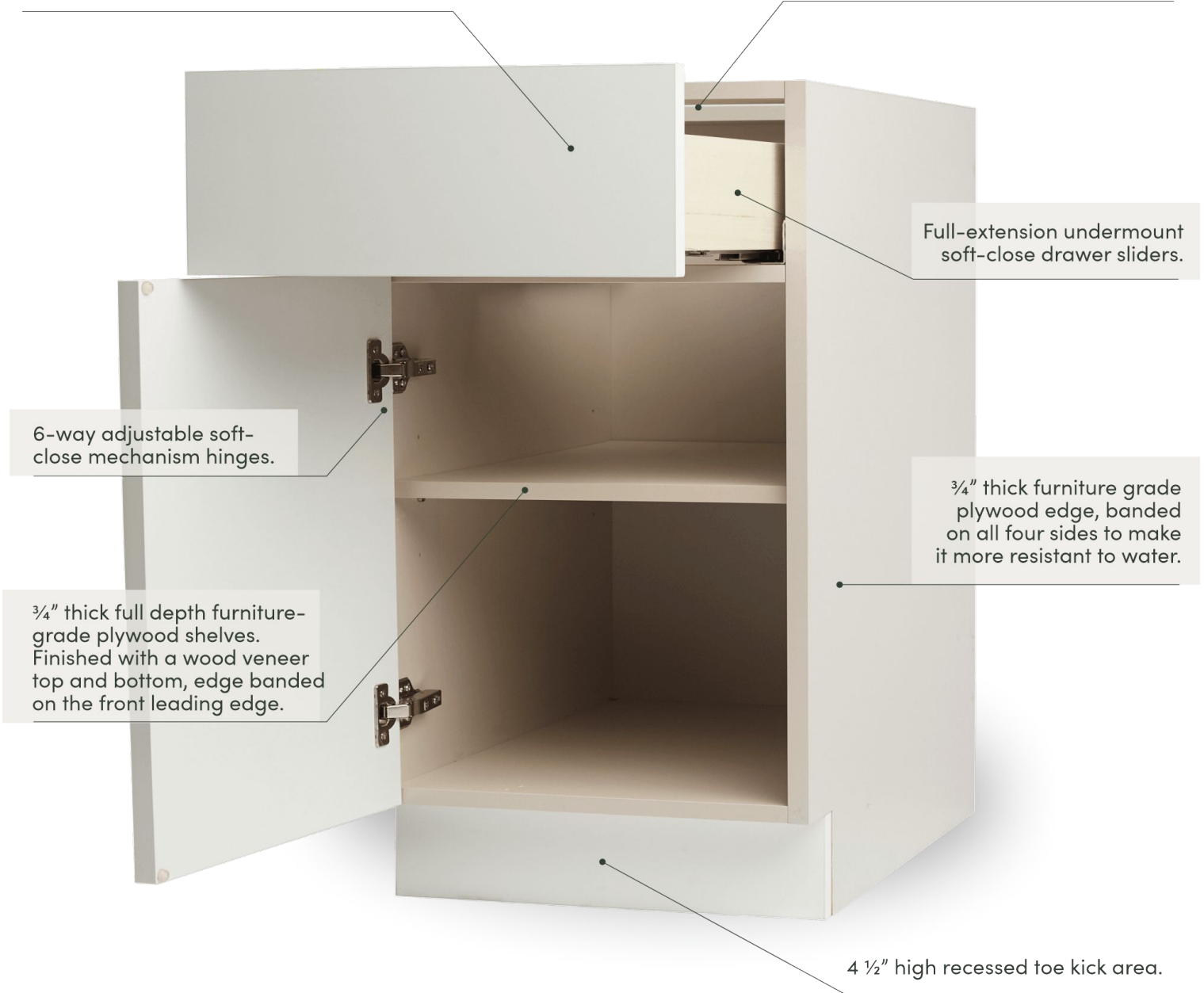
## M25- PICASSO TEXTURED



# Milania Box Construction

5/8" solid wood drawer box with dovetail construction, UV clear coated on all exposed sides. 3/8" plywood drawer bottom.

Multiple 1/4" cross supports positioned at front, back, and beneath drawers.



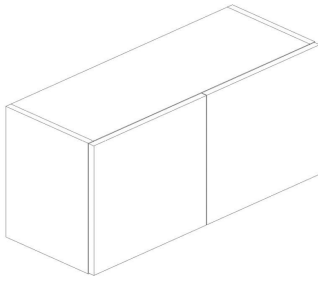
## ADDITIONAL FEATURES

- >> 5-Year Warranty
- >> Full customization option available
- >> Over 20 colors to choose from
- >> All doors made in the United States
- >> Metal Drawer Box available

# WALL CABINETS



## Wall Cabinets- 12" High Cabinets



SKU	W	H	D
W3012	30"	12"	12"
W3312	33"	12"	12"
W3612	36"	12"	12"

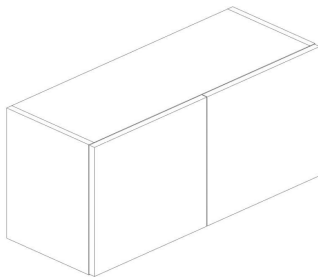
### Available Modifications

- Depth can be modified from 4" to 30" by increments of 1/4"
- Width modified range from 6" to 48" by increments of 1/4"
- Cabinets 21" wide or less will be single door
- Height can be modified from range 12" to 30" by increments of 1/4"
- Ship doors loose
- Doors can be modified for overhang
- Upgrade options for push to open doors or integrated J Pull aluminum handles

### Notes

- No shelf

## Wall Cabinets- 15" High Cabinets



SKU	W	H	D
W3015	30"	15"	12"
W3315	33"	15"	12"
W3615	36"	15"	12"

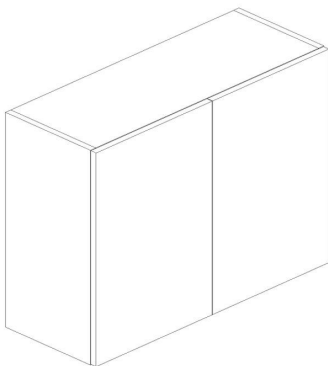
### Available Modifications

- Depth can be modified from 4" to 30" by increments of 1/4"
- Width modified range from 6" to 48" by increments of 1/4"
- Cabinets 21" or less will be single door
- Height can be modified from range 12" to 30" by increments of 1/4"
- Ship doors loose
- Doors can be modified for overhang
- Upgrade options for push to open doors or integrated J Pull aluminum handles

### Notes

- No shelf

## Wall Cabinets- 18" High Cabinets



SKU	W	H	D
W3018	30"	18"	12"
W3318	33"	18"	12"
W3618	36"	18"	12"

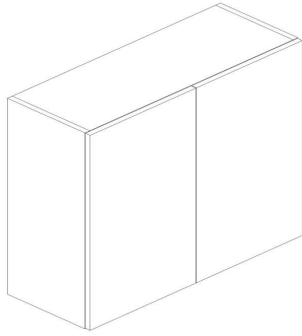
### Available Modifications

- Depth can be modified from 4" to 30" by increments of 1/4"
- Width modified range from 6" to 48" by increments of 1/4"
- Cabinets 21" or less will be single door
- Height can be modified from range 12" to 30" by increments of 1/4"
- Ship doors loose
- Doors can be modified for overhang
- Upgrade options for push to open doors or integrated J Pull aluminum handles

### Notes

- 1 adjustable shelves

## Wall Cabinets- 24" High Cabinets



SKU	W	H	D
W3024	30"	24"	12"
W3324	33"	24"	12"
W3624	36"	24"	12"

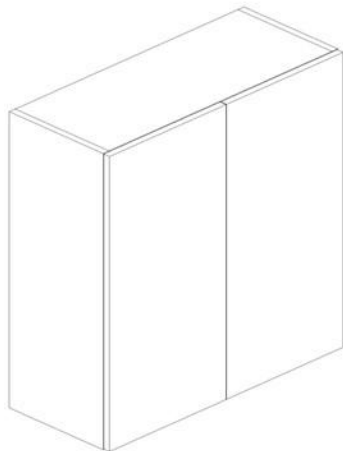
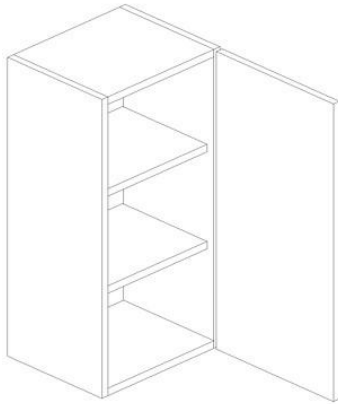
### Available Modifications

- Depth can be modified from 4" to 30" by increments of 1/4"
- Width modified range from 6" to 48" by increments of 1/4"
- Cabinets 21" or less will be single door
- Height can be modified from range 12" to 30" by increments of 1/4"
- Ship doors loose
- Doors can be modified for overhang
- Upgrade options for push to open doors or integrated J Pull aluminum handles

### Notes

- 1 adjustable shelf

## Wall Cabinets- 30" High Cabinets



SKU	W	H	D
W0930	9"	30"	12"
W1230	12"	30"	12"
W1530	15"	30"	12"
W1830	18"	30"	12"
W2130	21"	30"	12"
W2430	24"	30"	12"
W2730	27"	30"	12"
W3030	30"	30"	12"
W3330	33"	30"	12"
W3630	36"	30"	12"

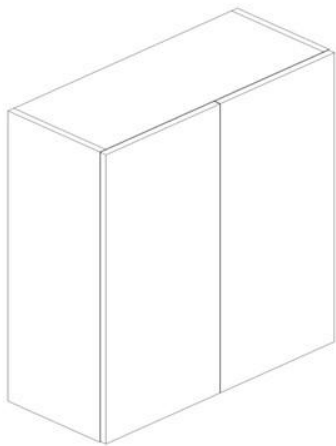
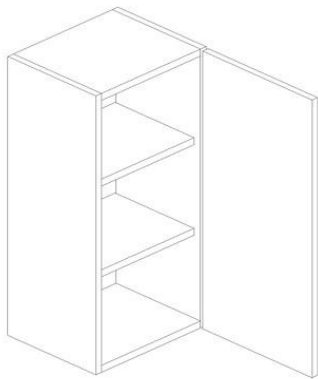
### Available Modifications

- Depth can be modified from 4" to 30" by increments of 1/4"
- Width modified range from 6" to 36" by increments of 1/4"
- Cabinets less than 21" wide will be single door
- Height can be modified from range 30" to 35 3/4" by increments of 1/4"
- Ship doors loose
- Doors can be modified for overhang
- Upgrade options for push to open doors or integrated J Pull aluminum handles

### Notes

- 2 adjustable shelves

# Wall Cabinets- 36" High Cabinets



SKU	W	H	D
W0936	09"	36"	12"
W1236	12"	36"	12"
W1536	15"	36"	12"
W1836	18"	36"	12"
W2136	21"	36"	12"
W2436	24"	36"	12"
W2736	27"	36"	12"
W3036	30"	36"	12"
W3336	33"	36"	12"
W3636	36"	36"	12"

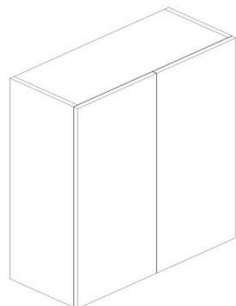
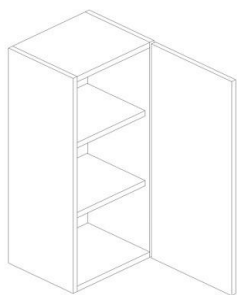
## Available Modifications

- Depth can be modified from 4" to 30" by increments of 1/4"
- Width modified range from 6" to 36" by increments of 1/4"
- Cabinets 21" or less will be single door
- Height can be modified from range 36" to 41 3/4" by increments of 1/4"
- Ship doors loose
- Doors can be modified for overhang
- Upgrade options for push to open doors or integrated J Pull aluminum handles

## Notes

- 2 adjustable shelves

## Wall Cabinets- 42" High Cabinets



SKU	W	H	D
W0942	09"	42"	12"
W1242	12"	42"	12"
W1542	15"	42"	12"
W1842	18"	42"	12"
W2142	21"	42"	12"
W2442	24"	42"	12"
W2742	27"	42"	12"
W3042	30"	42"	12"
W3342	33"	42"	12"
W3642	36"	42"	12"

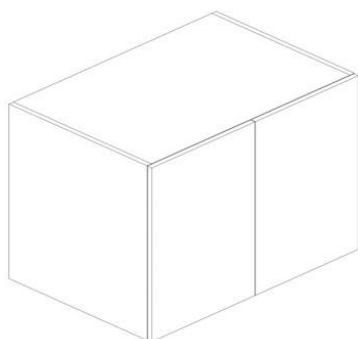
### Available Modifications

- Depth can be modified from 4" to 30" by increments of 1/4"
- Width modified range from 6" to 36" by increments of 1/4"
- Cabinets 21" or less will be single door
- Height can be modified from range 42" to 60" by increments of 1/4"
- Ship doors loose
- Doors can be modified for overhang
- Upgrade options for push to open doors or integrated J Pull aluminum handles

### Notes

- 3 adjustable shelves

## Wall Cabinets- 24" Deep Cabinets



SKU	W	H	D
W361224	36"	12"	24"
W361824	36"	18"	24"
W362424	36"	24"	24"

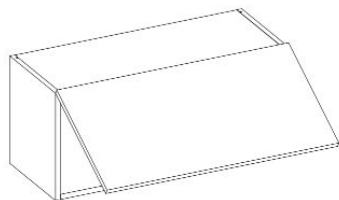
### Available Modifications

- Depth can be modified from 4" to 30" by increments of 1/4"
- Width modified range from 6" to 48" by increments of 1/4"
- Cabinets 21" or less will be single door
- Height can be modified from range 12" to 30" by increments of 1/4"
- Ship doors loose
- Doors can be modified for overhang
- Upgrade options for push to open doors or integrated J Pull aluminum handles

### Notes

- W361824 & W362424 have 1 adjustable shelf
- W361224 does not include an adjustable shelf

## Wall Cabinets- 12” High UP Cabinets



SKU	W	H	D
W3012UP	30"	12"	12"
W3312UP	33"	12"	12"
W3612UP	36"	12"	12"

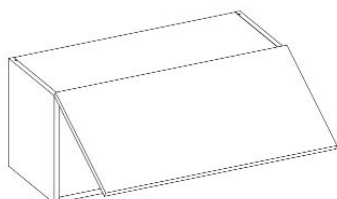
### Available Modifications

- Depth can be modified from 12" to 30" by increments of ¼"
- Width modified range from 12" to 42" by increments of ¼"
- Height can be modified from range 12" to 24" by increments of ¼"
- Ship doors loose
- Doors can be modified for overhang
- Upgrade options for push to open doors or integrated J Pull aluminum handles

### Notes

- No shelf
- Single door opening upwards

## Wall Cabinets- 15” High UP Cabinets



SKU	W	H	D
W3015UP	30"	15"	12"
W3315UP	32"	15"	12"
W3615UP	36"	15"	12"

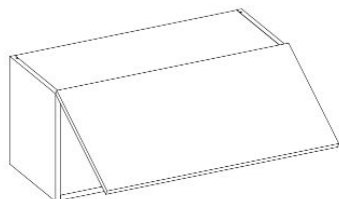
### Available Modifications

- Depth can be modified from 12" to 30" by increments of ¼"
- Width modified range from 12" to 42" by increments of ¼"
- Height can be modified from range 12" to 24" by increments of ¼"
- Ship doors loose
- Doors can be modified for overhang
- Upgrade options for push to open doors or integrated J Pull aluminum handles

### Notes

- No shelf
- Single door opening upwards

## Wall Cabinets- 18" High UP Cabinets



SKU	W	H	D
W3018UP	30"	18"	12"
W3318UP	33"	18"	12"
W3618UP	36"	18"	12"

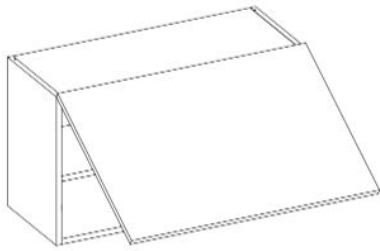
### Available Modifications

- Depth can be modified from 12" to 30" by increments of ¼"
- Width modified range from 12" to 42" by increments of ¼"
- Height can be modified from range 12" to 24" by increments of ¼"
- Ship doors loose
- Doors can be modified for overhang
- Upgrade options for push to open doors or integrated J Pull aluminum handles

### Notes

- 1 adjustable shelves
- Single door opening upwards

## Wall Cabinets- 24" High UP Cabinets



SKU	W	H	D
W3024UP	30"	24"	12"
W3324UP	33"	24"	12"
W3624UP	36"	24"	12"

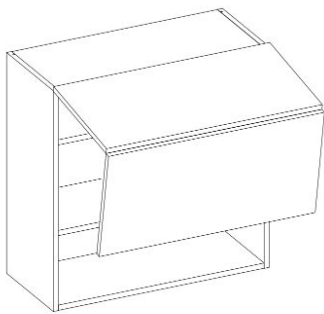
### Available Modifications

- Depth can be modified from 12" to 30" by increments of 1/4"
- Width modified range from 12" to 36" by increments of 1/4"
- Height can be modified from range 12" to 24" by increments of 1/4"
- Ship doors loose
- Doors can be modified for overhang
- Upgrade options for push to open doors or integrated J Pull aluminum handles

### Notes

- 1 adjustable shelf
- Single door opening upwards

## Wall Cabinets- 30" High UP Cabinets



SKU	W	H	D
W3030UP	30"	30"	12"
W3630UP	36"	30"	12"

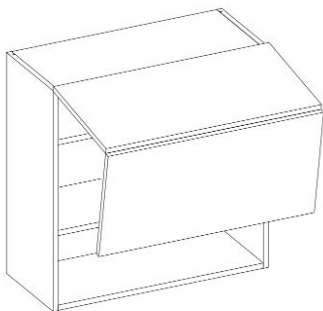
### Available Modifications

- Depth can be modified from 12" to 30" by increments of 1/4"
- Width modified range from 24" to 36" by increments of 1/4"
- Ship doors loose
- Doors can be modified for overhang
- Upgrade options for push to open doors or integrated J Pull aluminum handles

### Notes

- 2 adjustable shelves
- Will have horizontally bisected bifold doors opening upwards

## Wall Cabinets- 36" High UP Cabinets



SKU	W	H	D
W3036UP	30"	36"	12"
W3636UP	36"	36"	12"

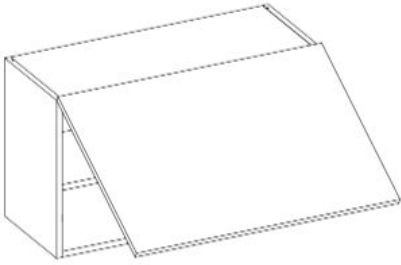
### Available Modifications

- Depth can be modified from 12" to 30" by increments of 1/4"
- Width modified range from 24" to 36" by increments of 1/4"
- Height can be modified from range 30" to 36" by increments of 1/4"
- Ship doors loose
- Doors can be modified for overhang
- Upgrade options for push to open doors or integrated J Pull aluminum handles

### Notes

- 2 adjustable shelves
- Will have horizontally bisected bifold doors opening upwards

## Wall Cabinets- 24" Deep UP Cabinets



SKU	W	H	D
W361224UP	36"	12"	24"
W361824UP	36"	18"	24"
W362424UP	36"	24"	24"

### Available Modifications

- Depth can be modified from 12" to 30" by increments of 1/4"
- Width modified range from 24" to 36" by increments of 1/4"
- Height can be modified from range 12" to 24" by increments of 1/4"
- Ship doors loose
- Doors can be modified for overhang
- Upgrade options for push to open doors or integrated J Pull aluminum handles

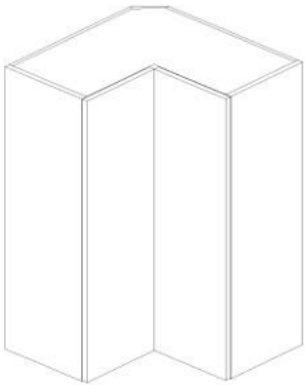
### Notes

- W362424 has 1 adjustable shelf other 24" deep cabinets do have an adjustable shelf

### Notes

- No shelf
- Single door opening upwards

## Wall Cabinets- Wall Easy-Reach Cabinets



SKU	W	H	D
WEZR2430	24"	30"	12"
WEZR2436	24"	36"	12"
WEZR2442	24"	42"	12"

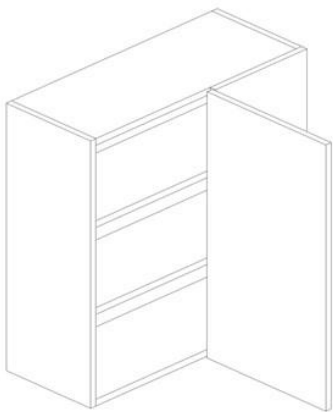
### Available Modifications

- Height can be modified from range 30" to 42" by increments of 1/4"
- Ship doors loose
- Doors can be modified for overhang

### Notes

- 30" & 36" high have 2 adjustable shelves
- 42" high has 3 adjustable shelves

# Wall Cabinets- Wall Blind Corner Cabinets



SKU	W	H	D
WBC3030	30"	30"	12"
WBC3036	30"	36"	12"
WBC3042	30"	42"	12"

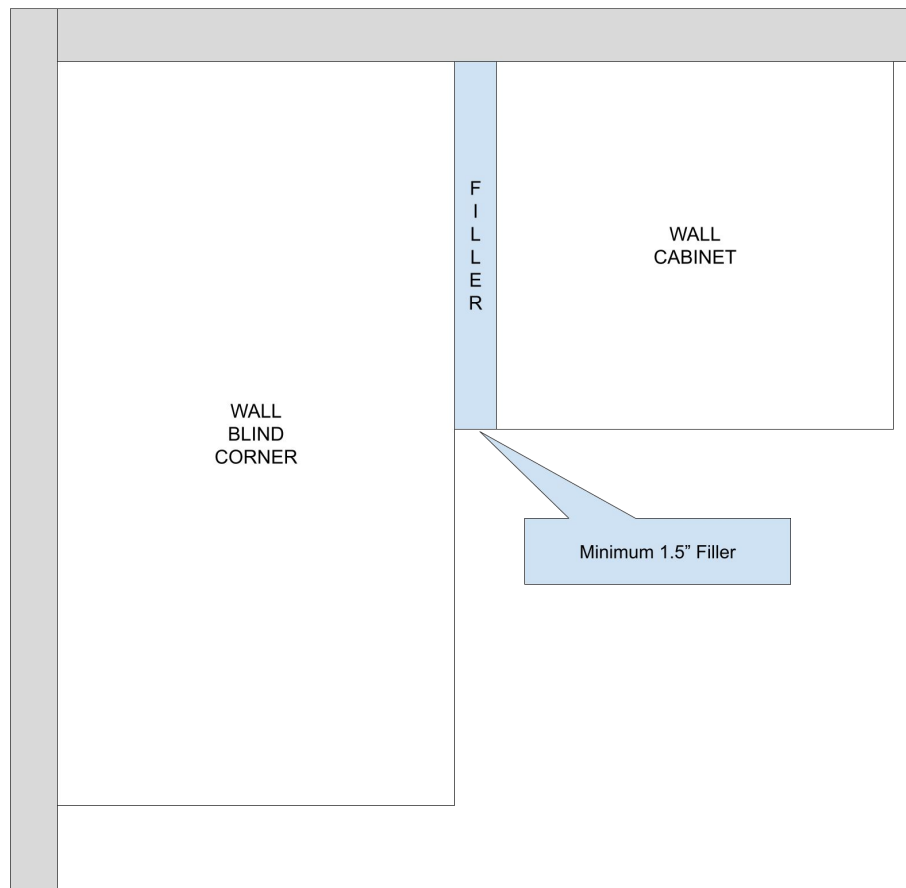
## Available Modifications

- Depth can be modified from 6" to 30" by increments of 1/4"
- Width modified range from 22" to 36" by increments of 1/4"
- Height can be modified from range 30" to 60" by increments of 1/4"
- Ship doors loose
- Doors can be modified for overhang
- Upgrade options for push to open doors or integrated J Pull aluminum handles

## Notes

- Right hinge = right blind (shown in drawing)
- Left hinge = left blind
- Can be pulled up to 3" from wall.
- 30" & 36" high have 2 adjustable shelves
- 42" high has 3 adjustable shelves
- Minimum 1 1/2" filler must be installed perpendicular to allow door to clear adjacent cabinet. See fig. A

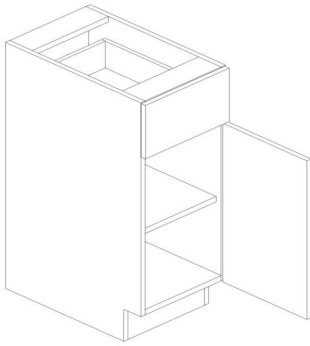
Fig A.





# BASE CABINETS

## Base Cabinets- Single Door Base With Drawer



SKU	W	H	D
B12	12"	34.5"	24"
B15	15"	34.5"	24"
B18	18"	34.5"	24"
B21	21"	34.5"	24"

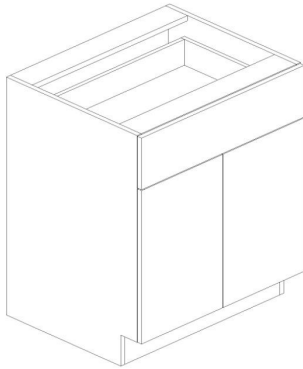
### Available Modifications

- Depth can be modified from 15" to 24" by increments of ¼"
- Width modified range from 12" to 23 ½" by increments of ½"
- Height can be modified from range 19" to 34.5" by increments of ¼"
- Remove Toe Kick
- Ship doors loose
- Upgrade options for push to open (must upgrade to metal drawers) or integrated J Pull aluminum handles
- Upgrade to Metal Drawers

### Notes

- 1 adjustable shelf
- Width greater than 36" requires the metal drawer upgrade
- If cabinet is more than 24" depth the drawer will remain at 21"

## Base Cabinets- Double Door Base With Drawer



SKU	W	H	D
B24	24"	34.5"	24"
B27	27"	34.5"	24"
B30	30"	34.5"	24"
B33	33"	34.5"	24"
B36	36"	34.5"	24"

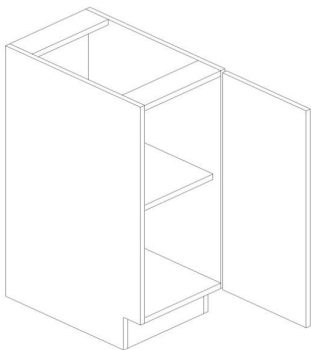
### Available Modifications

- Depth can be modified from 15" to 24" by increments of ¼"
- Width modified range from 24" to 36" by increments of ½"
- Height can be modified from range 19" to 34.5" by increments of ¼"
- Remove Toe Kick
- Ship doors loose
- Upgrade options for push to open (must upgrade to metal drawers) or integrated J Pull aluminum handles
- Upgrade to Metal Drawers

### Notes

- 1 adjustable shelf
- Width greater than 36" requires the metal drawer upgrade
- If cabinet is more than 24" depth the drawer will remain at 21"

## Base Cabinets- Single Door Full Height



SKU	W	H	D
BFH09	09"	34.5"	24"
BFH12	12"	34.5"	24"
BFH15	15"	34.5"	24"
BFH18	18"	34.5"	24"
BFH21	21"	34.5"	24"

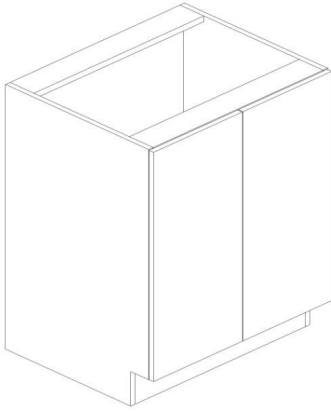
### Available Modifications

- Depth can be modified from 12" to 30" by increments of ¼"
- Width modified range from 6" to 24" by increments of ¼"
- Height can be modified from range 19" to 34.5" by increments of ¼"
- Remove Toe Kick
- Ship doors loose
- Upgrade options for push to open or integrated J Pull aluminum handles

### Notes

- 1 adjustable shelf
- Certain cabinets can have certain accessory be installed (ACC-WAB 15/18/21 (Waste Basket), ACC-TAB12 (Pull Out Tray), and ACC-SPI09 (Spice Rack Insert))

## Base Cabinets- Double Door Full Height



SKU	W	H	D
BFH24	24"	34.5"	24"
BFH27	27"	34.5"	24"
BFH30	30"	34.5"	24"
BFH33	33"	34.5"	24"
BFH36	36"	34.5"	24"

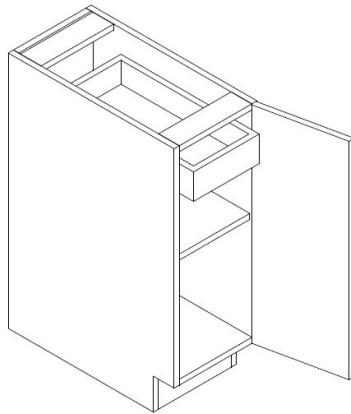
### Available Modifications

- Depth can be modified from 12" to 24" by increments of 1/4"
- Width modified range from 24" to 48" by increments of 1/4"
- Height can be modified from range 19" to 34.5" by increments of 1/4"
- Remove Toe Kick
- Ship doors loose
- Upgrade options for push to open or integrated J Pull aluminum handles

### Notes00

- 1 adjustable shelf

## Base Cabinets- Single Door Full Height with Hidden Top Drawer



SKU	W	H	D
B12FH-HD	12"	34.5"	24"
B15FH-HD	15"	34.5"	24"
B18FH-HD	18"	34.5"	24"
B21FH-HD	21"	34.5"	24"

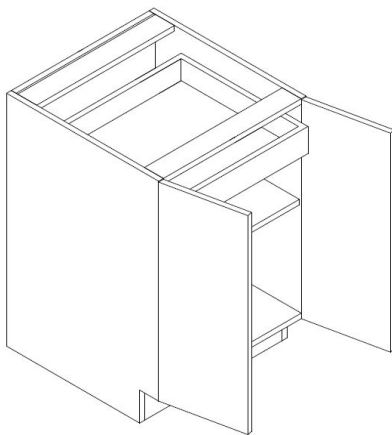
### Available Modifications

- Depth can be modified from 15" to 24" by increments of 1/4"
- Width modified range from 6" to 24" by increments of 1/2"
- Height can be modified from range 19" to 34.5" by increments of 1/4"
- Remove Toe Kick
- Ship doors loose
- Upgrade options for push to open or integrated J Pull aluminum handles

### Notes

- 1 adjustable shelf
- Certain cabinets can have certain accessory be installed (ACC-WAB 15/18/21 (Waste Basket), ACC-TAB12 (Pull Out Tray), and ACC-SPI09 (Spice Rack Insert))

## Base Cabinets- Double Door Full Height with Hidden Top Drawer



SKU	W	H	D
B24FH-HD	24"	34.5"	24"
B27FH-HD	27"	34.5"	24"
B30FH-HD	30"	34.5"	24"
B33FH-HD	33"	34.5"	24"
B36FH-HD	36"	34.5"	24"

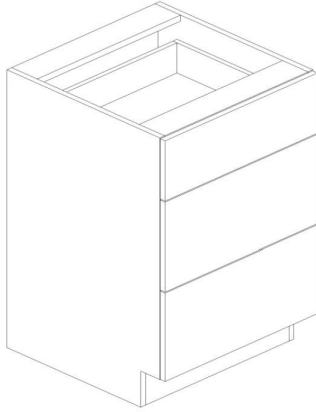
### Available Modifications

- Depth can be modified from 15" to 24" by increments of 1/4"
- Width modified range from 24" to 36" by increments of 1/2"
- Height can be modified from range 19" to 34.5" by increments of 1/4"
- Remove Toe Kick
- Ship doors loose
- Upgrade options for push to open or integrated J Pull aluminum handle

### Notes

- 1 adjustable shelf

## Base Cabinets- 3 Drawer Bank



SKU	W	H	D
3DB12	12"	34.5"	24"
3DB15	15"	34.5"	24"
3DB18	18"	34.5"	24"
3DB21	21"	34.5"	24"
3DB24	24"	34.5"	24"
3DB27	27"	34.5"	24"
3DB30	30"	34.5"	24"
3DB33	33"	34.5"	24"
3DB36	36"	34.5"	24"

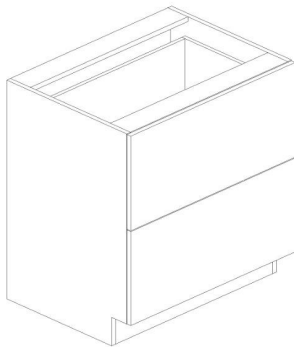
### Available Modifications

- Depth can be modified from 15" to 24" by increments of 1/4"
- Height can be modified from range 19" to 34.5" by increments of 1/4"
- Remove Toe Kick
- Ship doors loose
- Upgrade options for push to open (must upgrade to metal drawers) or integrated J Pull aluminum handles
- Upgrade to Metal Drawers
- Make bench cabinet (17 1/4" Height)

### Notes

- If cabinet is more than 24" depth, the drawer will remain at the same 21" depth

## Base Cabinets- 2 Drawer Bank



SKU	W	H	D
2DB30	30"	34.5"	24"
2DB33	33"	34.5"	24"
2DB36	36"	34.5"	24"

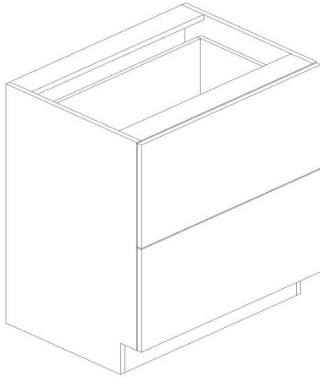
### Available Modifications

- Depth can be modified from 15" to 24" by increments of 1/4"
- Height can be modified from range 19" to 34.5" by increments of 1/4"
- Remove Toe Kick
- Ship doors loose
- Upgrade options for push to open (must upgrade to metal drawers) or integrated J Pull aluminum handles
- Upgrade to Metal Drawers
- Make bench cabinet (21 1/8" Height)

### Notes

- If cabinet is more than 24" depth the drawer will remain at the same 21" depth

## Base Cabinets- 2 Drawer Bank with Hidden Top Drawer



SKU	W	H	D
2DB30-HD	30"	34.5"	24"
2DB33-HD	33"	34.5"	24"
2DB36-HD	36"	34.5"	24"

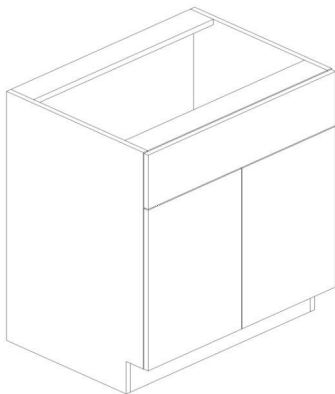
### Available Modifications

- Depth can be modified from 15" to 24" by increments of 1/4"
- Height can be modified from range 19" to 34.5" by increments of 1/4"
- Remove Toe Kick
- Ship doors loose
- Upgrade options for push to open (must upgrade to metal drawers) or integrated J Pull aluminum handles
- Upgrade to Metal Drawers

### Notes

- If cabinet is more than 24" depth the drawer will remain at 21"

## Base Cabinets- Sink Base With 1 False Drawer



SKU	W	H	D
SB30	30"	34.5"	24"
SB33	33"	34.5"	24"
SB36	36"	34.5"	24"

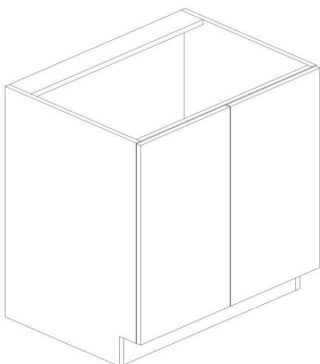
### Available Modifications

- Depth can be modified from 12" to 24" by increments of 1/4"
- Width modified range from 24" to 36" by increments of 1/4"
- Height can be modified from range 19" to 34.5" by increments of 1/4"
- Remove Toe Kick
- Ship doors loose
- Upgrade options for push to open or integrated J Pull aluminum handles

### Notes

- To create a SB24 or SB27 use a B24 or B27 and void the top drawer.

## Base Cabinets- Sink Base Full Height



SKU	W	H	D
SBFH30	30"	34.5"	24"
SBFH33	33"	34.5"	24"
SBFH36	36"	34.5"	24"

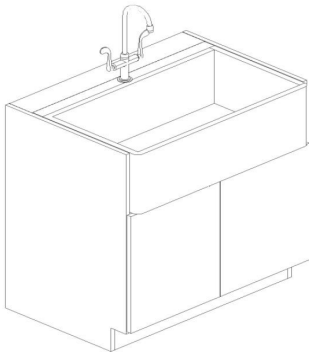
### Available Modifications

- Depth can be modified from 12" to 24" by increments of 1/4"
- Width modified range from 24" to 36" by increments of 1/4"
- Height can be modified from range 19" to 34.5" by increments of 1/4"
- Remove Toe Kick
- Ship doors loose
- Upgrade options for push to open or integrated J Pull aluminum handles
- Make bench cabinet (21 1/8" Height)

### Notes

- To create a SBFH24 or SBFH27 use a BFH24 or BFH27 and void the top drawer.

# Base Cabinets- Farm Sink Base



SKU	W	H	D
FS36	36"	34.5"	24"

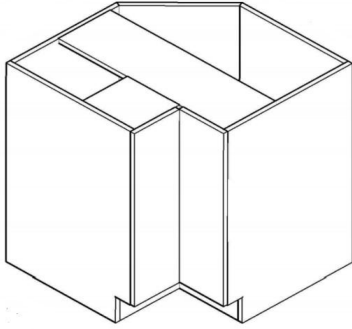
**Available Modifications**

- Depth can be modified from 15" to 24" by increments of 1/4"
- Width modified range from 24" to 36" by increments of 1/4"
- Remove Toe Kick
- Ship doors loose
- Upgrade options for push to open or integrated J Pull aluminum handles

**Notes**

- Trimmable face to be cut in field.

## Base Cabinets- Square Corner Base With 2 Lazy Susans



SKU	W	H	D
LSB33	33"	34.5"	24"
LSB36	36"	34.5"	24"

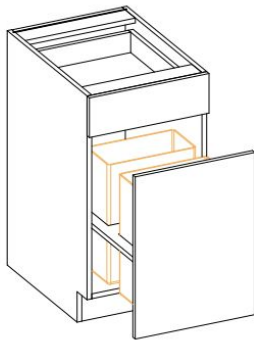
### Available Modifications

- Remove Toe Kick
- Ship doors loose

### Notes

- No Shelf Option only Insert

## Base Cabinets- Pull Out Double Wastebasket Cabinet



SKU	W	H	D
BWB15	15"	34.5"	24"
BWB18	18"	34.5"	24"
BWB21	21"	34.5"	24"

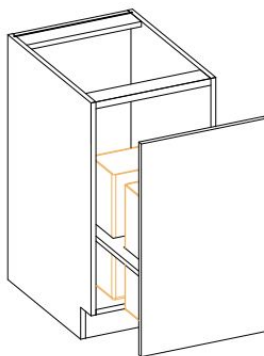
### Available Modifications

- Remove Toe Kick
- Upgrade options for integrated J Pull aluminum handles
- Upgrade to Metal Drawers
- Push to open (must upgrade to metal drawer)

### Notes

- WB Accessory will not be able to have an push to open option

## Base Cabinets- Full Height Pull Out Double Wastebasket Cabinet



SKU	W	H	D
BWBFH15	15"	34.5"	24"
BWBFH18	18"	34.5"	24"
BWBFH21	21"	34.5"	24"

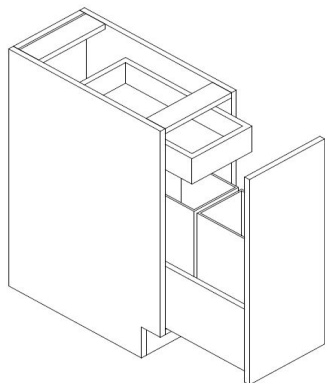
### Available Modifications

- Remove Toe Kick
- Upgrade integrated J Pull aluminum handles
- Upgrade to Metal Drawers
- Upgrade to push to open (must upgrade to metal drawers)

### Notes

- WB Accessory will not be able to have an push to open option

## Base Cabinets- Full Height Pull Out Double Wastebasket Cabinet with Hidden Top Drawer



SKU	W	H	D
BFH15-WB-HD	15"	34.5"	24"
BFH18-WB-HD	18"	34.5"	24"
BFH21-WB-HD	21"	34.5"	24"

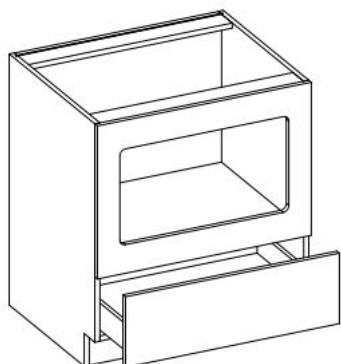
### Available Modifications

- Remove Toe Kick
- Upgrade integrated J Pull aluminum handles
- Upgrade to Metal Drawers
- Upgrade to push to open (must upgrade to metal drawers)

### Notes

- WB Accessory will not be able to have an push to open option

## Base Cabinets- Base Microwave Cabinet With Drawer



SKU	W	H	D
BMO24	24"	34.5"	24"
BMO30	30"	34.5"	24"

### Available Modifications

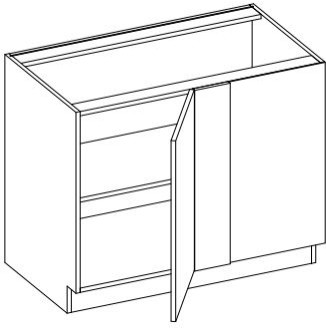
- Depth can be modified from 15" to 24" by increments of 1/4"
- Width modified range from 24" to 30" by increments of 1/4"
- Divider can be readjusted for microwave specifications
- Remove Toe Kick
- Ship doors loose
- Upgrade integrated J Pull aluminum handles
- Upgrade to Metal Drawers
- Upgrade to push to open (must upgrade to metal drawers)

### Notes

- If cabinet is more than 24" depth the drawer will remain at 21"
- Trimmable face



## Base Cabinets- Blind Corner Base Cabinet

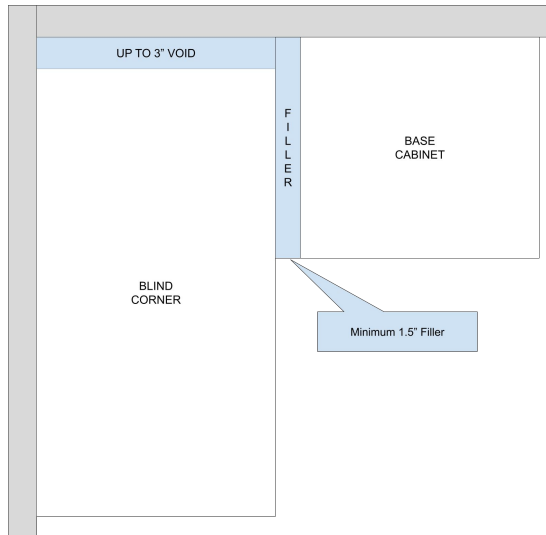


SKU	W	H	D
BLB42	42"	34.5"	24"
BLB45	45"	34.5"	24"

### Available Modifications

- Depth can be modified from 12" to 24" by increments of 1/4"
- Width modified range from 38" to 45" by increments of 1/4"
- Height can be modified from range 19" to 34.5" by increments of 1/4"
- Remove Toe Kick
- Ship doors loose
- Upgrade options for push to open or integrated J Pull aluminum handles

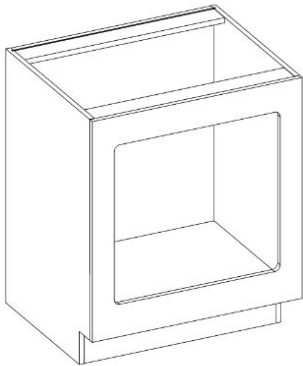
Fig. A



### Notes

- Right hinge = right blind (shown in drawing)
- Left hinge = left blind
- Minimum 3/4" filler must be installed perpendicular to allow drawer to clear adjacent cabinet with no hardware. 3/4" plus dimension of hardware will be required when there is hardware. See fig. A
- 1 adjustable shelf

## Base Cabinets- Base Oven Cabinet



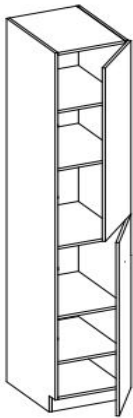
SKU	W	H	D
BOC30	30"	34.5"	24"

### Available Modifications

- Depth can be modified from 15" to 24" by increments of 1/4"
- Width modified range from 24" to 30" by increments of 1/4"
- Height can be modified from range 19" to 34.5" by increments of 1/4"
- Remove Toe Kick
- Ship doors loose
- Will have a trimmable panel must cut in field

# TALL CABINETS

## Tall Cabinets- Tall Pantry Single Door



SKU	W	H	D
TP158424	15"	84"	24"
TP159024	15"	90"	24"
TP159624	15"	96"	24"
TP188424	18"	84"	24"
TP189024	18"	90"	24"
TP189624	18"	96"	24"

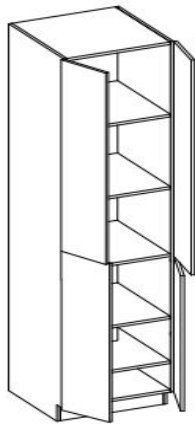
### Available Modifications

- Depth can be modified from 12" to 24" by increments of 1/4"
- Width modified range from 9" to 24" by increments of 1/4"
- Height can be modified from range 42" to 96" by increments of 1/4"
- Remove Toe Kick
- Ship doors loose
- Upgrade options for push to open or integrated J Pull aluminum handles
- Full Height door options available

### Notes

- Includes with 4 adjustable shelf
- Shelf depth is 21"
- Pantry cabinet comes standard as 50/50 Doors
- Fixed Divider cannot be removed but can be adjusted to be at a different height

## Tall Cabinets- Tall Pantry Double Door



SKU	W	H	D
TP248424	24"	84"	24"
TP249024	24"	90"	24"
TP249624	24"	96"	24"
TP308424	30"	84"	24"
TP309024	30"	90"	24"
TP309624	30"	96"	24"

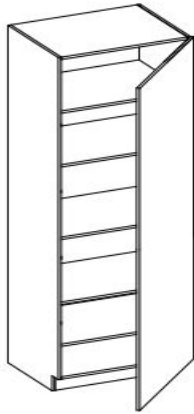
### Available Modifications

- Depth can be modified from 9" to 24" by increments of 1/4"
- Width modified range from 24" to 36" by increments of 1/4"
- Height can be modified from range 42" to 96" by increments of 1/4"
- Remove Toe Kick
- Ship doors loose
- Upgrade options for push to open (must upgrade to metal drawers) or integrated J Pull aluminum handles
- Full Height options available

### Notes

- Includes 4 adjustable shelf
- Shelf depth is 21"
- Pantry cabinet comes standard as 50/50 Door
- Fixed Divider cannot be removed but can be adjusted to be at a different height

## Tall Cabinets- Tall Pantry Single Full Height Door



SKU	W	H	D
TP158424FH	15"	84"	24"
TP159024FH	15"	90"	24"
TP159624FH	15"	96"	24"
TP188424FH	18"	84"	24"
TP189024FH	18"	90"	24"
TP189624FH	18"	96"	24"

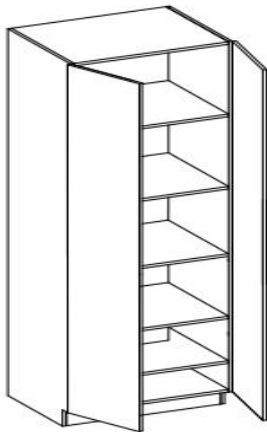
### Available Modifications

- Depth can be modified from 9" to 24" by increments of 1/4"
- Width modified range from 12" to 18" by increments of 1/4"
- Height can be modified from range 54" to 96" by increments of 1/4"
- Remove Toe Kick
- Ship doors loose
- Upgrade options for push to open or integrated J Pull aluminum handles
- Full Height door options available

### Notes

- Includes with 4 adjustable shelf
- Shelf depth is 21"
- Fixed Divider cannot be removed but can be adjusted to be at a different height

## Tall Cabinets- Tall Pantry Double Full Height Door



SKU	W	H	D
TP248424FH	24"	84"	24"
TP249024FH	24"	90"	24"
TP249624FH	24"	96"	24"
TP308424FH	30"	84"	24"
TP309024FH	30"	90"	24"
TP309624FH	30"	96"	24"

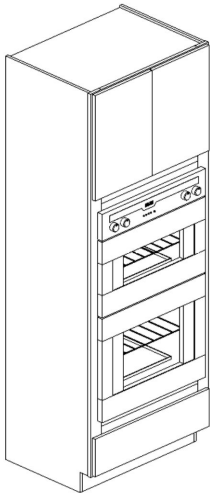
### Available Modifications

- Depth can be modified from 9" to 24" by increments of 1/4"
- Width modified range from 18 1/4" to 36" by increments of 1/4"
- Height can be modified from range 54" to 96" by increments of 1/4"
- Remove Toe Kick
- Ship doors loose
- Upgrade options for push to open (must upgrade to metal drawers) or integrated J Pull aluminum handles
- Full Height options available

### Notes

- Includes 4 adjustable shelf
- Shelf depth is 21"
- Fixed Divider cannot be removed but can be adjusted to be at a different height

# Tall Cabinets- Double Oven Cabinets



SKU	W	H	D
OC338424-1	33"	84"	24"
OC339024-1	33"	90"	24"
OC339624-1	33"	96"	24"
OC338424-2	33"	84"	24"
OC339024-2	33"	90"	24"
OC339624-2	33"	96"	24"
OC338424-3	33"	84"	24"
OC339024-3	33"	90"	24"
OC339624-3	33"	96"	24"

## Available Modifications

- Depth can be modified from 15" to 24" by increments of 1/4"
- Width modified range from 24" to 33" by increments of 1/4"
- Height can be modified from range 84" to 96" by increments of 1/4"
- Remove Toe Kick
- Ship doors loose
- Upgrade options for push to open (must upgrade to metal drawers) or integrated J Pull aluminum handles
- Upgrade to Metal Drawers

## Notes

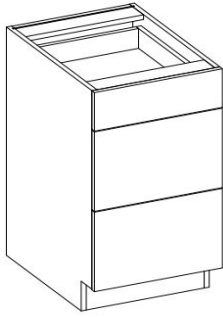
- Cabinet can have an option of one, two, or three drawers (OC33XX24-(1,2, or 3))
- Cabinet will have a center panel (customer must cut the open to size to fit their appliances)

## Oven specification with different configurations

SKU	TOP DOORS (H")	OVEN PANEL (H")	TOP DRAWER (H")	MIDDLE DRAWER (H")	BOTTOM DRAWER (H")
OC338424-1	11 7/8	56 1/4	N/A	N/A	11
OC339024-1	17 7/8	56 1/4	N/A	N/A	11
OC339624-1	23 7/8	56 1/4	N/A	N/A	11
OC338424-2	11 7/8	45 1/8	N/A	11	11
OC339024-2	17 7/8	45 1/8	N/A	11	11
OC339624-2	23 7/8	45 1/8	N/A	11	11
OC338424-3	11 7/8	37 5/8	7 1/2	11	11
OC339024-3	17 7/8	37 5/8	7 1/2	11	11
OC339624-3	23 7/8	37 5/8	7 1/2	11	11

# VANITY CABINETS

## Vanity Cabinets- 3 Drawer Bank

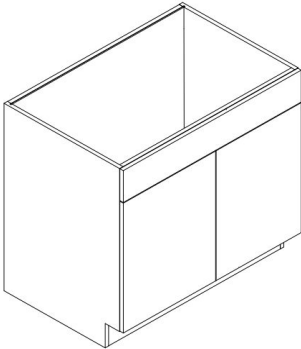


SKU	W	H	D
VDB12-34.5	12"	34.5"	21"
VDB15-34.5	15"	34.5"	21"
VDB18-34.5	18"	34.5"	21"
VDB24-34.5	24"	34.5"	21"

### Available Modifications

- Depth can be modified from 15" to 21" by increments of ¼"
- Height can be modified from range 19" to 34.5" by increments of ¼"
- Remove Toe Kick
- Ship doors loose
- Upgrade options for push to open (must upgrade to metal drawers) or integrated J Pull aluminum handles
- Upgrade to Metal Drawers

## Vanity Cabinets- Sink Base With 1 False Drawer

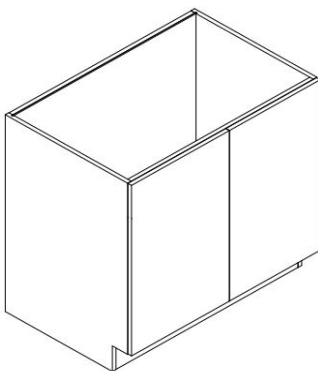


SKU	W	H	D
VSDB24-34.5	24"	34.5"	21"
VSDB30-34.5	30"	34.5"	21"
VSDB36-34.5	36"	34.5"	21"

### Available Modifications

- Depth can be modified from 12" to 21" by increments of ¼"
- Width modified range from 20" to 36" by increments of ¼"
- Height can be modified from range 19" to 34.5" by increments of ¼"
- Remove Toe Kick
- Ship doors loose
- Upgrade options for push to open or integrated J Pull aluminum handles

## Vanity Cabinets- Full Height Sink Base

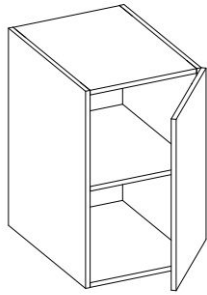


SKU	W	H	D
VSBFH24-34.5	24"	34.5"	21"
VSBFH30-34.5	30"	34.5"	21"
VSBFH36-34.5	36"	34.5"	21"

### Available Modifications

- Depth can be modified from 12" to 21" by increments of ¼"
- Width modified range from 20" to 36" by increments of ¼"
- Height can be modified from range 19" to 34.5" by increments of ¼"
- Remove Toe Kick
- Ship doors loose
- Upgrade options for push to open or integrated J Pull aluminum handles

## Vanity Cabinets- Hanging Base Cabinets



SKU	W	H	D
VHB12-22.5	12"	22.5"	21"
VHB15-22.5	15"	22.5"	21"
VHB18-22.5	12"	22.5"	21"

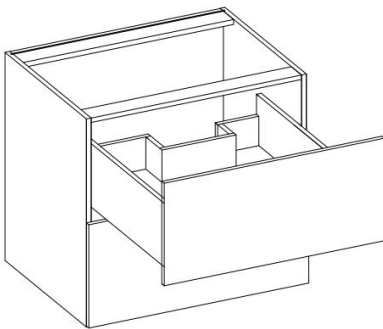
### Available Modifications

- Depth can be modified from 15" to 21" by increments of ¼"
- Height can be modified from range 10" to 22.5" by increments of ¼"
- Ship doors loose
- Upgrade options for push to open or integrated J Pull aluminum handles

### Notes

- 1 adjustable shelf

## Vanity Cabinets- Hanging Drawer Sink Base Cabinets



SKU	W	H	D
VHDSB24-22.5	24"	22.5"	21"
VHDSB30-22.5	30"	22.5"	21"
VHDSB36-22.5	36"	22.5"	21"

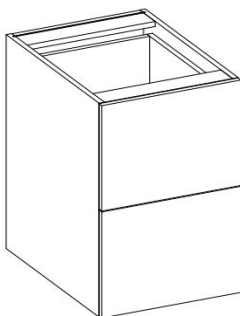
### Available Modifications

- Depth can be modified from 15" to 21" by increments of ¼"
- Height can be modified from range 10" to 22.5" by increments of ¼"
- Ship doors loose
- Upgrade options for push to open (must upgrade to metal drawers) integrated J Pull aluminum handles
- Upgrade the metal drawer

### Note:

- Top drawer will be u-shaped for plumbing and bottom drawer will be a full drawer
- Cannot use an under-mount sink; must be a vessel sink unless the top drawer is voided

## Vanity Cabinets- Vanity Hanging Drawer Base Cabinets



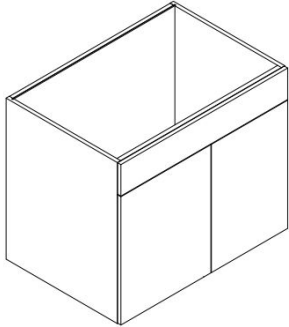
SKU	W	H	D
VHDB12-22.5	12"	22.5"	21"
VHDB15-22.5	15"	22.5"	21"
VHDB18-22.5	18"	22.5"	21"
VHDB24-22.5	24"	22.5"	21"

### Available Modifications

- Depth can be modified from 15" to 21" by increments of ¼"
- Height can be modified from range 10" to 22.5" by increments of ¼"
- Ship doors loose
- Upgrade options for push to open (must upgrade to metal drawers) integrated J Pull aluminum handles
- Upgrade the metal drawer



# Vanity Cabinets- Hanging Drawer Sink Base Cabinets



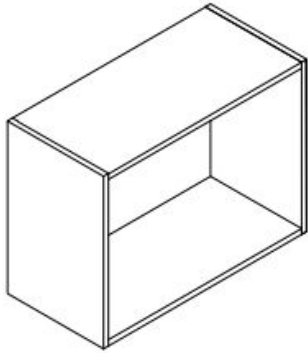
SKU	W	H	D
VHSB24-22.5	24"	22.5"	21"
VHSB30-22.5	30"	22.5"	21"
VHSB36-22.5	36"	22.5"	21"

**Available Modifications**

- Depth can be modified from 15" to 21" by increments of 1/4"
- Width modified range from 24-36" by increments of 1/4"
- Height can be modified from range 10" to 22.5" by increments of 1/4"
- Ship doors loose
- Upgrade options for push to open or integrated J Pull aluminum handles

# Open Cubby

## Open Cubby- 12" High Wall

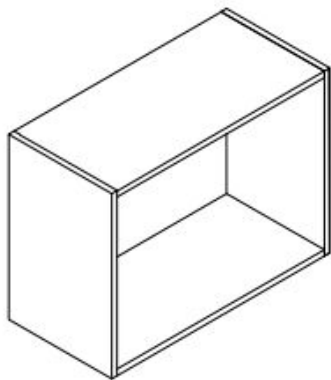


SKU	W	H	D
CBW1212	12"	12"	12.875"
CBW1812	18"	12"	12.875"
CBW2412	24"	12"	12.875"
CBW3012	30"	12"	12.875"
CBW3612	36"	12"	12.875"
CBW4212	42"	12"	12.875"
CBW4812	48"	12"	12.875"
CBW6012	60"	12"	12.875"
CBW7212	72"	12"	12.875"

### Notes:

- No adjustable shelf
- Can be any color from available in any stock color
- Open Cubby will be flush with cabinet doors
- Cut width 6" to 72" in 1/4" increments
- Cut height 6" to 12" in 1/4" increments
- Grain direction might not match

## Open Cubby- 18" High Wall

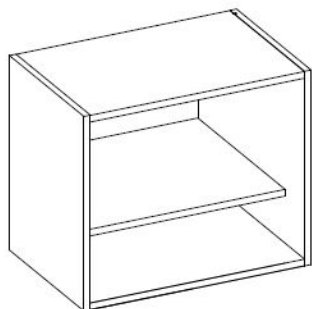


SKU	W	H	D
CBW1218	12"	18"	12.875"
CBW1818	18"	18"	12.875"
CBW2418	24"	18"	12.875"
CBW3018	30"	18"	12.875"
CBW3618	36"	18"	12.875"
CBW4218	42"	18"	12.875"
CBW4818	48"	18"	12.875"
CBW6018	60"	18"	12.875"
CBW7218	72"	18"	12.875"

### Notes:

- No adjustable shelf
- Can be any color from available in any stock color
- Open Cubby will be flush with cabinet doors
- Cut width 6" to 72" in 1/4" increments
- Cut height 12" to 18" in 1/4" increments
- Grain direction might not match

## Open Cubby- 24" High Wall

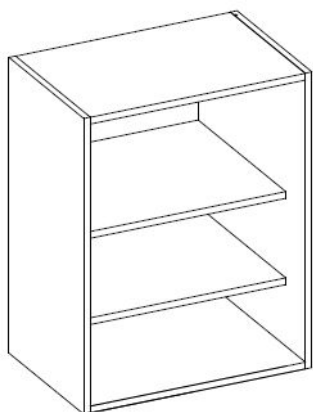


SKU	W	H	D
CBW1224	12"	24"	12.875"
CBW1824	18"	24"	12.875"
CBW2424	24"	24"	12.875"
CBW3024	30"	24"	12.875"
CBW3624	36"	24"	12.875"

**Notes:**

- One adjustable shelf
- Can be any color from available in any stock color
- Open Cubby will be flush with cabinet doors
- Cut height 18 1/4" to 23 3/4" in 1/4" increments
- Cut width 6" to 36" in 1/4" increments
- Grain direction might not match

## Open Cubby- 30" High Wall

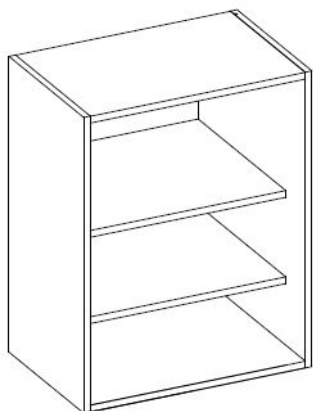


SKU	W	H	D
CBW1230	12"	30"	12.875"
CBW1830	18"	30"	12.875"
CBW2430	24"	30"	12.875"
CBW3030	30"	30"	12.875"
CBW3630	36"	30"	12.875"

**Notes:**

- Two adjustable shelf
- Can be any color from available in any stock color
- Open Cubby will be flush with cabinet doors
- Cut width 6" to 36" in 1/4" increments
- Cut height 24 1/4" to 29 3/4" in 1/4" increments
- Grain direction might not match

## Open Cubby- 36" High Wall

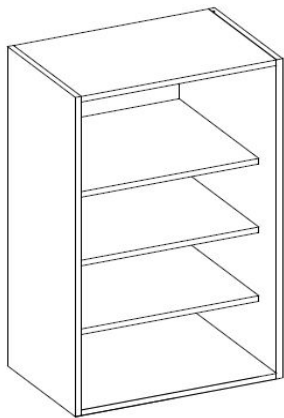


SKU	W	H	D
CBW1236	12"	36"	12.875"
CBW1836	18"	36"	12.875"
CBW2436	24"	36"	12.875"
CBW3036	30"	36"	12.875"
CBW3636	36"	36"	12.875"

**Notes:**

- Two adjustable shelf
- Can be any color from available in any stock color
- Open Cubby will be flush with cabinet doors
- Cut width 6" to 36" in 1/4" increments
- Cut height 30 1/4" to 35 3/4" in 1/4" increments
- Grain direction might not match

## Open Cubby- 42" High Wall

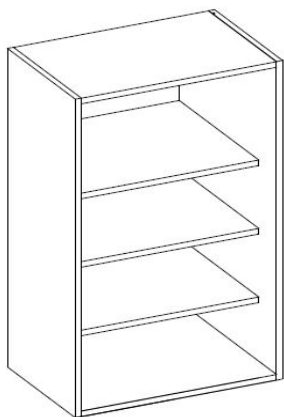


SKU	W	H	D
CBW1242	12"	42"	12.875"
CBW1842	18"	42"	12.875"
CBW2442	24"	42"	12.875"
CBW3042	30"	42"	12.875"
CBW3642	36"	42"	12.875"

**Notes:**

- Three adjustable shelf
- Can be any color from available in any stock color
- Open Cubby will be flush with cabinet doors
- Cut width 6" to 36" in 1/4" increments
- Cut height 36 1/4" to 41 3/4" in 1/4" increments
- Grain direction might not match

## Open Cubby- 48" High Wall

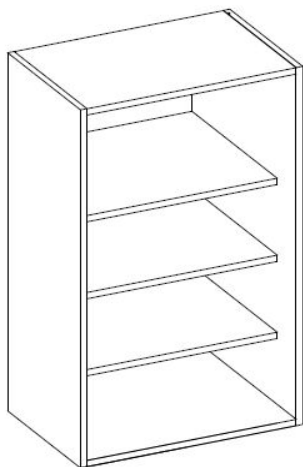


SKU	W	H	D
CBW1248	12"	48"	12.875"
CBW1848	18"	48"	12.875"
CBW2448	24"	48"	12.875"
CBW3048	30"	48"	12.875"
CBW3648	36"	48"	12.875"

**Notes:**

- Three adjustable shelf
- Can be any color from available in any stock color
- Open Cubby will be flush with cabinet doors
- Cut width 6" to 36" in 1/4" increments
- Cut height 42 1/4" to 47 3/4" in 1/4" increments
- Grain direction might not match

## Open Cubby- 54" High Wall

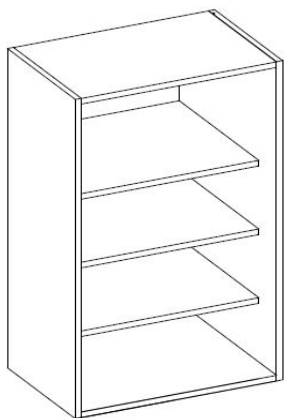


SKU	W	H	D
CBW1254	12"	54"	12.875"
CBW1854	18"	54"	12.875"
CBW2454	24"	54"	12.875"
CBW3054	30"	54"	12.875"
CBW3654	36"	54"	12.875"

**Notes:**

- Three adjustable shelf
- Can be any color from available in any stock color
- Open Cubby will be flush with cabinet doors
- Cut width 6" to 36" in 1/4" increments
- Cut height 48 1/4" to 53 3/4" in 1/4" increments
- Grain direction might not match

## Open Cubby- 60" High Wall

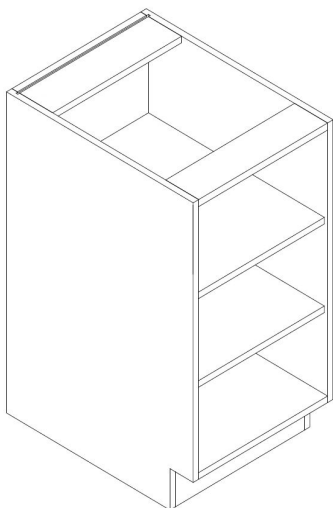


SKU	W	H	D
CBW1260	12"	60"	12.875"
CBW1860	18"	60"	12.875"
CBW2460	24"	60"	12.875"
CBW3060	30"	60"	12.875"
CBW3660	36"	60"	12.875"

### Notes:

- Three adjustable shelf
- Can be any color from available in any stock color
- Open Cubby will be flush with cabinet doors
- Cut width 6" to 36" in 1/4" increments
- Cut height 54 1/4" to 59 3/4" in 1/4" increments
- Grain direction might not match

## Open Cubby- Bases

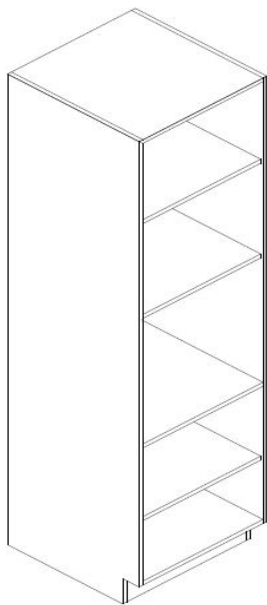


SKU	W	H	D
CBB12	12"	34.5"	24.688"
CBB15	15"	34.5"	24.688"
CBB18	18"	34.5"	24.688"
CBB21	21"	34.5"	24.688"
CBB24	24"	34.5"	24.688"
CBB30	30"	34.5"	24.688"
CBB33	33"	34.5"	24.688"
CBB36	36"	34.5"	24.688"

### Notes:

- Two adjustable shelf
- Can be any color from available in any stock color
- Open Cubby will be flush with cabinet doors
- Cut width 6" to 36" in 1/4" increments
- Cut height 19.5" to 34.5" in 1/4" increments
- Cut depth 12" to 24" in 1/4" increments
- Grain direction might not match

## Open Cubby- Talls



SKU	W	H	D
CBT128424	12"	84"	24.688"
CBT188424	18"	84"	24.688"
CBT248424	24"	84"	24.688"
CBT308424	30"	84"	24.688"
CBT368424	36"	84"	24.688"
CBT129024	12"	90"	24.688"
CBT189024	18"	90"	24.688"
CBT249024	24"	90"	24.688"
CBT309024	30"	90"	24.688"
CBT369024	36"	90"	24.688"
CBT129624	12"	96"	24.688"
CBT189624	18"	96"	24.688"
CBT249624	24"	96"	24.688"
CBT309624	30"	96"	24.688"
CBT369624	36"	96"	24.688"

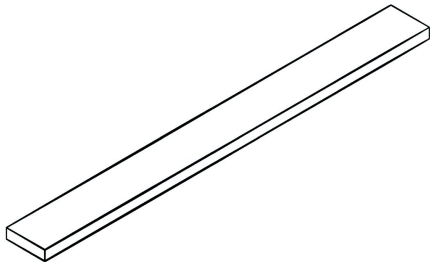
**Notes:**

- Four adjustable shelf
- Can be any color from available in any stock color
- Open Cubby will be flush with cabinet doors
- Cut width 6" to 36" in 1/4" increments
- Cut height 60" to 96" in 1/4" increments
- Cut depth 12" to 24" in 1/4" increments
- Grain direction might not match

# ACCESSORIES



## Accessories- Fillers



SKU	W	H	D
F330	3"	30"	.75"
F336	3"	36"	.75"
F342	3"	42"	.75"
F396	3"	96"	.75"
F630	6"	30"	.75"
F636	6"	36"	.75"
F642	6"	42"	.75"
F696	6"	96"	.75"

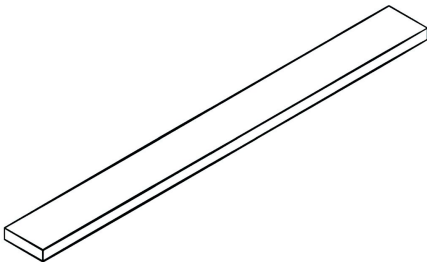
### Available Modifications

- n/a

### Notes

- Edgebanded on all sides
- Finished on both sides

## Accessories- Toekick



SKU	W	H	D
TK96	4.5"	96"	.75"

### Available Modifications

- n/a

### Notes

- Edgebanded on all sides
- Finished on both sides

## Accessories- Finished End Panel



SKU	W	H	D
WDD1330	13"	30"	.75"
WDD1336	13"	36"	.75"
WDD1342	13"	42"	.75"
WDD1348	13"	48"	.75"
WDD1354	13"	54"	.75"
WDD1360	13"	60"	.75"
WDD1366	13"	66"	.75"
WDD1372	13"	72"	.75"
BDD25.25X35	25.25"	35"	.75"
VDD2235	22"	35"	.75"
VHDD2222.5	22"	22.5"	.75"
PNL2535	25"	35"	.75"
PNL3735	37 9/16"	35"	.75"
PNL3548	35"	49 3/8"	.75"

### Available Modifications

- Cut width & height in 1/4" increments

## Accessories- Finished End Panel 1.5" Thick



SKU	W	H	D
WDD13301.5	13"	30"	1.5"
WDD13361.5	13"	36"	1.5"
WDD13421.5	13"	42"	1.5"
WDD13481.5	13"	48"	1.5"
WDD13541.5	13"	54"	1.5"
WDD13601.5	13"	60"	1.5"
BDD25.25X351.5	25"	35"	1.5"
VDD22351.5	22"	35"	1.5"
VHDD2222.51.5	22"	22.5"	1.5"
PNL25351.5	25"	35"	1.5"
PNL35371.5	37 9/16"	35"	1.5"
PNL35481.5	35"	49 3/8"	1.5"

### Available Modifications

- Cut width & height in 1/4" increments

## Accessories- Finished Panel



SKU	W	H	D
PNL2596	25"	96"	.75"
PNL3596	35"	96"	.75"
PNL4896	48"	96"	.75"

### Available Modifications

- Can be reduce in width & height

## Accessories- Finished Panel 1.5" Thick

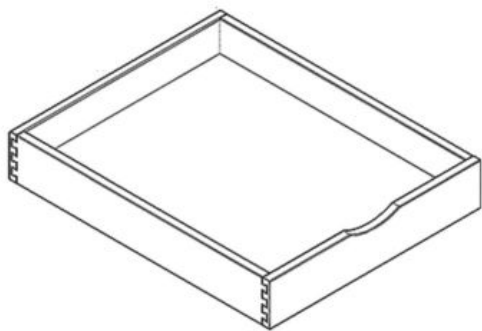


SKU	W	H	D
PNL25961.5	25"	96"	1.5"
PNL35961.5	35"	96"	1.5"

### Available Modifications

- Can be reduce in width & height

## Accessories- Roll Out Tray



SKU	W	H	D
BOX-ROT15	11"	4.5"	21"
BOX-ROT18	14"	4.5"	21"
BOX-ROT21	17"	4.5"	21"
BOX-ROT24	20"	4.5"	21"
BOX-ROT27	23"	4.5"	21"
BOX-ROT30	26"	4.5"	21"
BOX-ROT33	29"	4.5"	21"
BOX-ROT36	32"	4.5"	21"

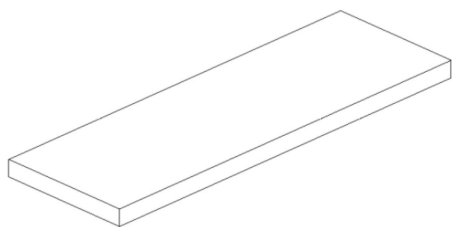
### Available Modifications

- Reduce depth - 1/2" increments to 15"
- Can be upgrade to metal drawers Roll out trays

### Note:

- Will require Filler pieces to mount the roll out tray
- Roll out tray are not soft closed

## Accessories- Wall Cabinet Shelf



SKU	W	H	D
MSHELFB09	9.25"	.75"	10"
MSHELFB12	12.25"	.75"	10"
MSHELFB15	15.25"	.75"	10"
MSHELFB18	18.25"	.75"	10"
MSHELFB21	21.25"	.75"	10"
MSHELFB24	24.25"	.75"	10"
MSHELFB27	27.25"	.75"	10"
MSHELFB30	30.25"	.75"	10"
MSHELFB33	33.25"	.75"	10"
MSHELFB36	36.25"	.75"	10"

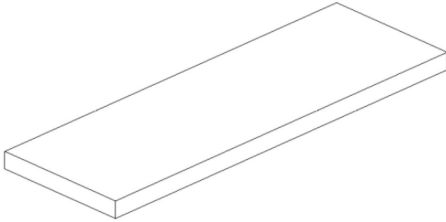
### Available Modifications

- n/a

### Notes

- Replacement shelf for standard depth base cabinets.
- All dimensions are +- 1/16"

## Accessories- Base Cabinet Shelf



SKU	W	H	D
MSHELFB09	7.25"	.75"	15.5"
MSHELFB12	10.25"	.75"	15.5"
MSHELFB15	13.25"	.75"	15.5"
MSHELFB18	16.25"	.75"	15.5"
MSHELFB21	19.25"	.75"	15.5"
MSHELFB24	22.25"	.75"	15.5"
MSHELFB27	25.25"	.75"	15.5"
MSHELFB30	28.25"	.75"	15.5"
MSHELFB33	31.25"	.75"	15.5"
MSHELFB36	34.25"	.75"	15.5"

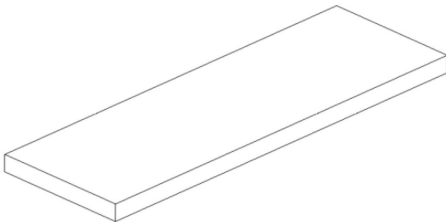
### Available Modifications

- n/a

### Notes

- Replacement shelf for standard depth base cabinets.
- All dimensions are +- 1/16"

## Accessories- Tall Pantry & Oven Cabinet Shelf



SKU	W	H	D
MSHELFTP18	16.25"	.75"	21"
MSHELFTP24	22.25"	.75"	21"
MSHELFTP30	28.25"	.75"	21"
MSHELFOC33	31.25"	.75"	21"

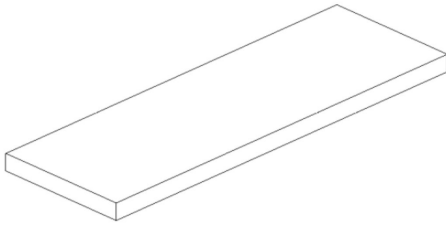
### Available Modifications

- n/a

### Notes

- Replacement shelf for a standard depth tall pantry or oven cabinet.
- All dimensions are +- 1/16"

## Accessories- Vanity Base Shelf



SKU	W	H	D
MSHELFVB12	10.25"	.75"	12.5"
MSHELFVB15	13.25"	.75"	12.5"
MSHELFVB18	16.25"	.75"	12.5"
MSHELFVB24	22.25"	.75"	12.5"

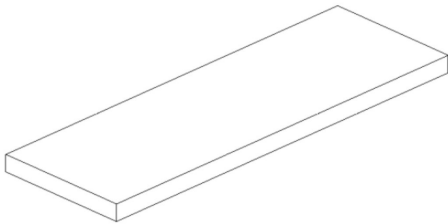
### Available Modifications

- n/a

### Notes

- Replacement shelf for VB12 and VB15 cabinets.
- All dimensions are +- 1/16"

## Accessories- Open Cube Shelf



SKU	W	H	D
MSHELFB09	12.25"	.75"	10"
MSHELFB12	15.25"	.75"	10"
MSHELFB15	18.25"	.75"	10"
MSHELFB18	21.25"	.75"	10"
MSHELFB21	24.25"	.75"	10"
MSHELFB24	27.25"	.75"	10"
MSHELFB27	30.25"	.75"	10"
MSHELFB30	33.25"	.75"	10"
MSHELFB33	36.25"	.75"	10"

### Available Modifications

- n/a

### Notes

- Replacement shelf for standard depth base cabinets.
- All dimensions are +- 1/16"

## Accessories- Base Microwave/Oven Cabinets Panel



SKU	W	H	D
BMPNL24	23.813"	18.75"	.75"
BMPNL30	29.813"	18.75"	.75"
OCPNL-1	32.813"	56.25"	.75"
OCPNL-2	32.813"	45.125"	.75"
OCPNL-3	32.813"	37.625"	.75"

### Available Modifications

- n/a

### Notes

- Panel for the opening of base microwave/oven cabinets
- Trimmable Face

## Accessories- Shelf Bracket



SKU	W	H	D
MSHELFpins	n/a	n/a	n/a

### Available Modifications

- n/a

### Notes

- Replacement shelf bracket
- Sold individually

## Accessories- Door Bumper



SKU	W	H	D
DOORBUMPERS	n/a	n/a	n/a

### Available Modifications

- n/a

### Notes

- Replacement door bumpers.
- Sold in sheets of 50
- Style may vary slightly from picture, but will function the same.

## Accessories- Standard Base,Wall, and Tall Hinge



SKU	W	H	D
MHINGESTD	n/a	n/a	n/a

### Available Modifications

- n/a

### Notes

- Replacement hinge for standard base, wall, and tall cabinets.
- Soft closing
- Internal soft close mechanism may vary from picture.
- 6-way adjustable
- Sold individually.

## Accessories- Lazy Susan & Wall Square Corner Hinges



MHINGELSBBOX

SKU	W	H	D
MHINGELSBBOX	n/a	n/a	n/a
MHINGELSBDOOR	n/a	n/a	n/a

### Available Modifications

- n/a

### Notes

- MHINGELSBBOX is the hinge that connects the door to the box.
- MHINGELSBDOOR is the hinge that connects to 2 doors to each other.
- Can be used for LSB33, LSB36, WEZR2430, WEZR2436, WEZR2442
- Sold individually.



MHINGELSBDOOR

## Accessories- Undermount Drawer Glides



SKU	W	H	D
UDGLIDE15	n/a	n/a	15"
UDGLIDE18	n/a	n/a	18"
UDGLIDE21	n/a	n/a	21"
UDGLIDE24	n/a	n/a	24"

### Available Modifications

- n/a

### Notes

- Depth shown equals depth of cabinet.
- Sold in pairs.
- Includes rear mounting bracket.
- Actual slide may vary slightly in appearance from image shown.
- Standard 24" deep cabinets use UDGLIDE24.
- If your cabinet has a depth between the available sizes, use the next smallest size.

Example - B12 that is 19" deep would use UDGLIDE18

Example- B12 that is 17" deep would use UDGLIDE15



## Accessories- Side Mount Drawer Glides



SKU	W	H	D
SMGLIDE15	n/a	n/a	15"
SMGLIDE18	n/a	n/a	18"
SMGLIDE21	n/a	n/a	21"
SMGLIDE24	n/a	n/a	24"

### Available Modifications

- n/a

### Notes

- Depth shown equals depth of cabinet.
- Sold in pairs.
- Includes rear mounting bracket.
- Actual slide may vary slightly in appearance from image shown.
- If your cabinet has a depth between the available sizes, use the next smallest size.
- For ROT's, BWB18's, and B09SP use SMGLIDE24
- Not soft closing.

# **SALES AIDS & MARKETING MATERIALS**

# ProCraft Milania Combination Display Center



SKU	W	H	D
Display Center Combo A	n/a	n/a	n/a
Display Center Combo B	n/a	n/a	n/a
Display Center Combo C	n/a	n/a	n/a

### Available Modifications

- n/a

### Notes

- Display Center Combo A includes Liberty Shaker White with combination of Anniversary Oak 2 cabinets with all the in-stock sample door colors.
- Display Center Combo B includes Liberty Shaker White with combination of Lakeland Oak 3 Texture cabinets with all the in-stock sample door colors.
- Display Center Combo C includes Liberty Shaker White with combination of Blanco Matte cabinets with all the in-stock sample door colors.

## Milania 11" x 15" Sample Doors

SKU	W	H	D
SD11X15	11"	15"	.75"

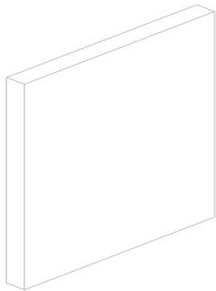
### Available Modifications

- n/a

### Notes

- Sold individually.

## Milania Color Sample Blocks



SKU	W	H	D
COLORBLOCK	8"	8"	.75"

### Available Modifications

- n/a

### Notes

- 8" x 8" Sample Block
- Sold individually.
- Specify color in notes

# Milania Product Catalog



SKU	W	H	D
CATALOG	n/a	n/a	n/a

**Available Modifications**

- n/a

**Notes**

- Sold in packs of 25 pieces

# Milania 8X8 Fold-out Brochure

SKU	W	H	D
MILANIA8X8	n/a	n/a	n/a

**Available Modifications**

- n/a

**Notes**

- Sold in packs of 50 pieces

# MODIFICATIONS

## Prep Door For Glass

- On most cabinet doors we can remove the center panel and prepare the door to accept a glass panel
- Must specify which door or doors
- Glass is sold separately

## Finish Interior Wall

- Most wall cabinets can have finished interior
- Top, back, sides and shelf will be finished to match the door finish

## Finish Interior Tall

- Most tall cabinets can have a finished interior.
- Top, back, sides and shelves will be finished to match the door finish

## Increase Depth Wall

- Most wall cabinets can be increased in depth
- Specify your overall depth to front of face frame
- Maximum depth is 30"
- Done in 1/2" increments

## Increase Depth Tall

- Most tall cabinets can be increased in depth
- Specify your overall depth to front of face frame
- Maximum depth is 30"
- Done in 1/2" increments

## Reduce Depth Base

- Most base cabinets can be reduced in depth
- Specify your overall depth to the front of face frame
- Modified drawer boxes will not have dovetail joints at the back of the drawer
- Minimum overall depth is 15"
- Done in 1/2" increments

## Reduce Depth Full Height Base

- Specify your overall depth to the front of face frame
- Minimum overall depth is 6"
- Done in 1/2" increments

## Reduce Depth Drawers

- Most drawer base can be reduced in depth
- Specify your overall depth to the front of face frame
- Modified drawer boxes will not have dovetail joints at the back of the drawer
- Minimum overall depth is 15"
- Done in 1/2" increments

## Reduce Depth Wall

- Most wall cabinets can be reduced in depth
- Specify your overall depth to front of face frame
- Minimum overall depth is 4"
- Done in 1/2" increments

## Reduce Depth Tall

- Most tall cabinets can be reduced in depth
- Specify your overall depth to front of face frame
- Minimum overall depth is 6"
- Done in 1/2" increments

## Cut Toe Kick

- All base cabinets with toe kick can be cut down to 0" from 4½"
- Done in ½" increments

## Apply Finish Skin

- Must specify right, left, or both ends
- Skins are designed to fit behind back of face frame and flush with top and bottom of cabinet

## Make Bench Cabinet

- Factory removed top two drawers on 3DB and top drawer on 2DB cabinets
- Finished cabinet single drawer height for 3DB = 17¼" and 2DB = 21½"
- Top reveal of the bench cabinet is 2".

## Void Top Drawer

- Factory removed top drawer and drawer front re-attached to face frame
- Drawer fronts attached similar to a sink base
- Drawer front can also be shipped loose

## Ship Door Loose

- Doors will not be attached to the cabinet