



**PROCRAFT**  
CABINETS

MILANIA  
SPECIFICATION  
GUIDE | 2021

---

Professionally  
Crafted Cabinets

# TABLE OF CONTENTS

03

---

MILANIA SPECIFICATIONS

04

---

MILANIA DESIGN AND  
CONSTRUCTION

35

---

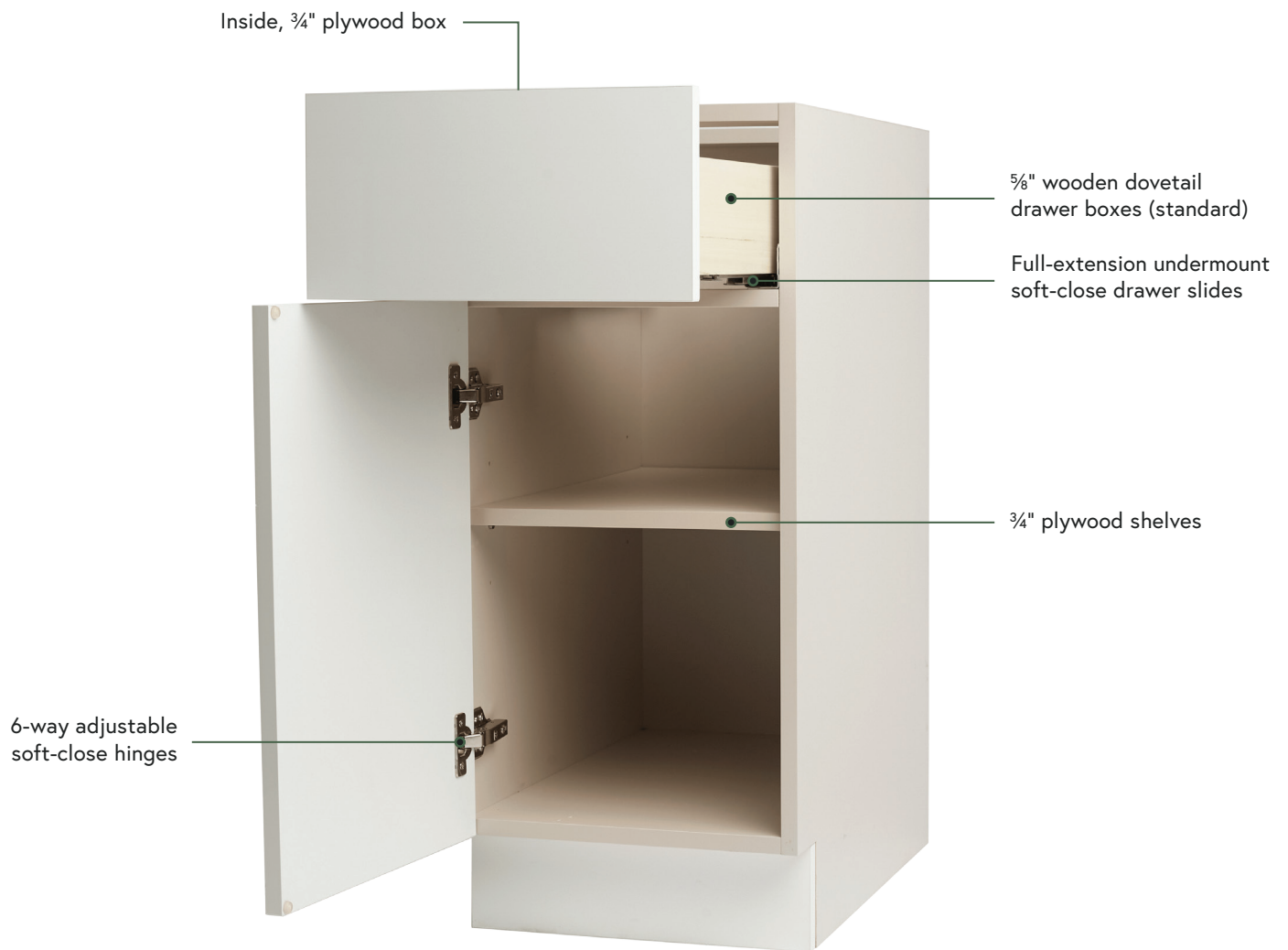
ACCESSORIES

48

---

MODIFICATIONS

# MILANIA SPECIFICATIONS



## ADDITIONAL FEATURES

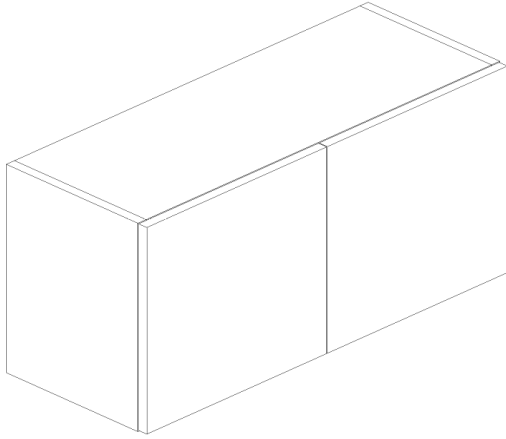
- » 5-year warranty
- » Full customization option available
- » Over 20 colors to choose from
- » Special-order door styles available
- » All doors made in the United States
- » Metal Drawer Box available as upgrade



MILANIA DESIGN  
AND CONSTRUCTION

12"/15"/18" HIGH

# WALL CABINETS



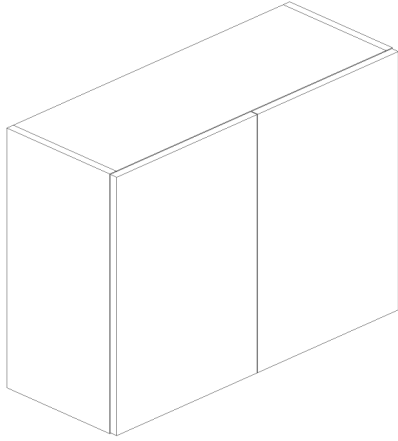
DOUBLE DOOR

WxHxD	SKU
30"x12"x12"	W3012
30"x15"x12"	W3015
30"x18"x12"	W3018
33"x12"x12"	W3312
33"x15"x12"	W3315
33"x18"x12"	W3318
36"x12"x12"	W3612
36"x15"x12"	W3615
36"x18"x12"	W3618

Modifications available.

24" HIGH

## WALL CABINETS



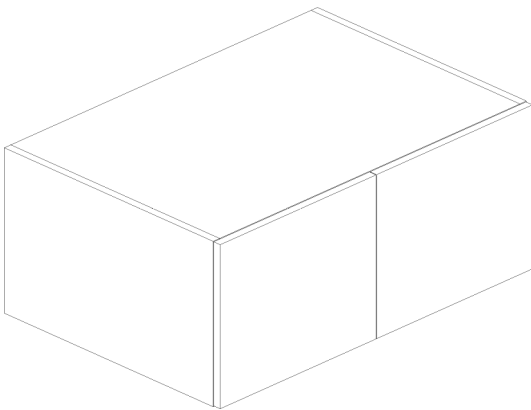
DOUBLE DOOR

WxHxD	SKU
30"x24"x12"	W3024
33"x24"x12"	W3324
36"x24"x12"	W3624

Modifications available.

12"-18" HIGH, 24" DEEP

## WALL CABINETS



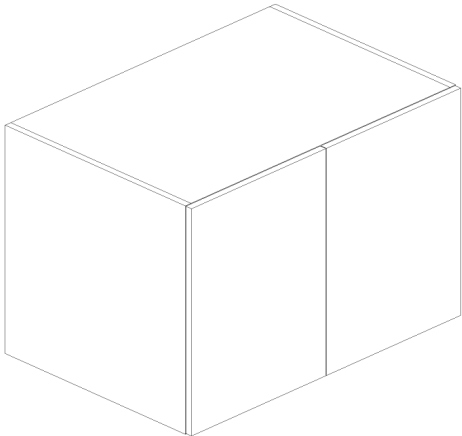
DOUBLE DOOR,  
SINGLE SHELF

WxHxD	SKU
36"x12"x24"	W361224
36"x18"x24"	W361824

Modifications available.

24" HIGH, 24" DEEP

# WALL CABINETS



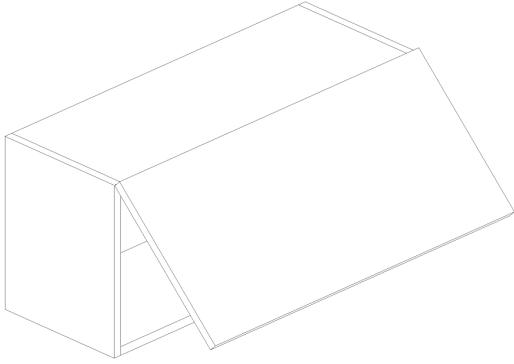
DOUBLE DOOR,  
SINGLE SHELF

WxHxD	SKU
36"x24"x24"	W362424

Modifications available.

12"-18" HIGH

## WALL CABINETS



FLIP-UP DOOR

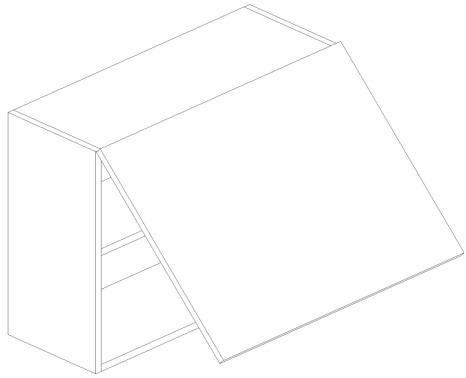
WxHxD	SKU
24"x15"x12"	W2415UP
24"x18"x12"	W2418UP
30"x12"x12"	W3012UP
30"x15"x12"	W3015UP
30"x18"x12"	W3018UP
33"x12"x12"	W3312UP
33"x15"x12"	W3315UP
33"x18"x12"	W3318UP
36"x12"x12"	W3612UP
36"x15"x12"	W3615UP
36"x18"x12"	W3618UP

Modifications available.



24" HIGH

## WALL CABINETS



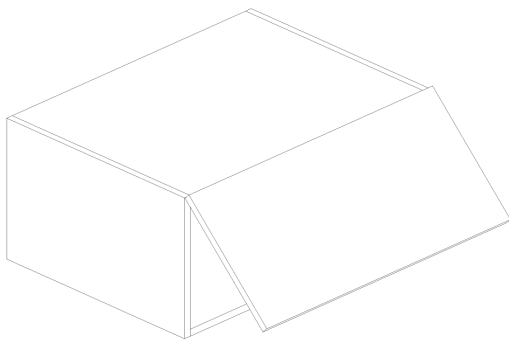
FLIP-UP DOOR,  
SINGLE SHELF

WxHxD	SKU
30"x24"x12"	W3024UP
33"x24"x12"	W3324UP
36"x24"x12"	W3624UP

Modifications available.

12"-18" HIGH, 24" DEEP

## WALL CABINETS



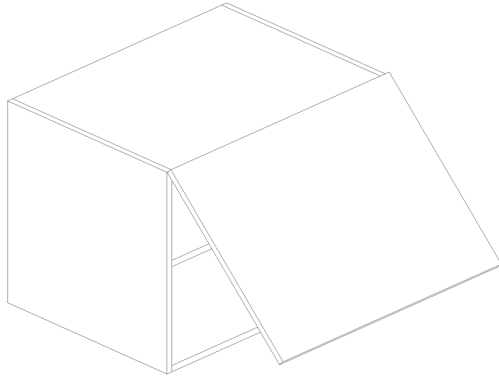
FLIP-UP DOOR

WxHxD	SKU
36"x12"x24"	W361224UP
36"x18"x24"	W361824UP

Modifications available.

24" HIGH, 24" DEEP

## WALL CABINETS



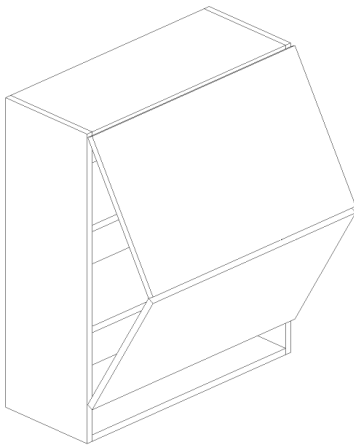
FLIP-UP DOOR,  
SINGLE SHELF

WxHxD	SKU
36"x24"x24"	W362424UP

Modifications available.

30"-36" HIGH

## WALL CABINETS



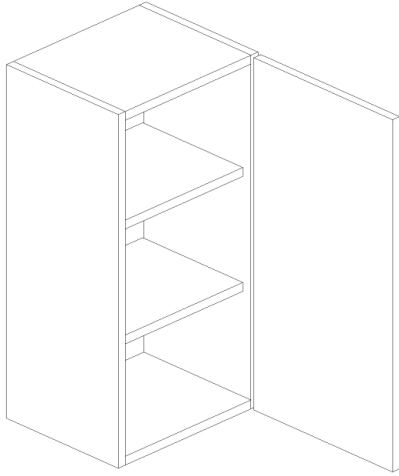
FLIP-UP DOOR,  
DOUBLE SHELF

WxHxD	SKU
30"x30"x12"	W3030UP
36"x30"x12"	W3630UP
30"x36"x12"	W3036UP
36"x36"x12"	W3636UP

Modifications available.

30" HIGH

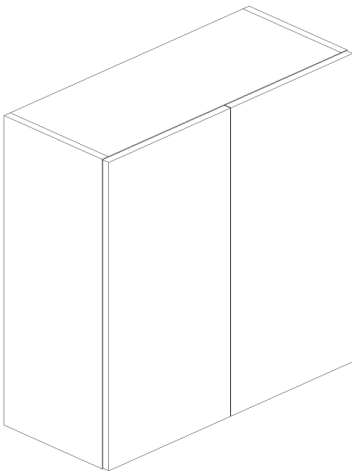
# WALL CABINETS



SINGLE DOOR,  
DOUBLE SHELF

WxHxD	SKU
9"x30"x12"	W0930
12"x30"x12"	W1230
15"x30"x12"	W1530
18"x30"x12"	W1830
21"x30"x12"	W2130

Modifications available.



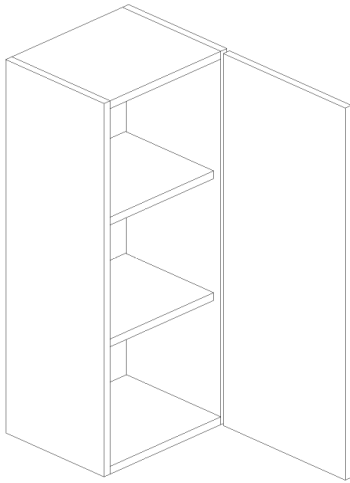
DOUBLE DOOR,  
DOUBLE SHELF

WxHxD	SKU
24"x30"x12"	W2430
27"x30"x12"	W2730
30"x30"x12"	W3030
33"x30"x12"	W3330
36"x30"x12"	W3630

Modifications available.

36" HIGH

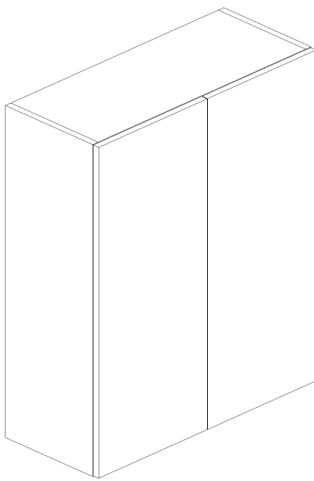
# WALL CABINETS



SINGLE DOOR,  
DOUBLE SHELF

WxHxD	SKU
9"x36"x12"	W0936
12"x36"x12"	W1236
15"x36"x12"	W1536
18"x36"x12"	W1836
21"x36"x12"	W2136

Modifications available.



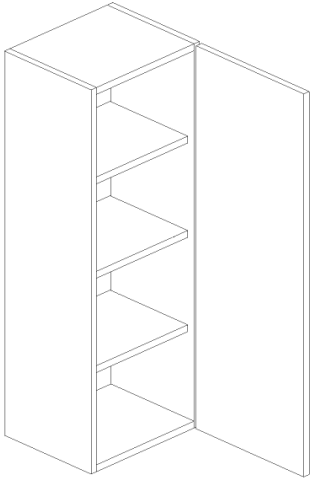
DOUBLE DOOR,  
DOUBLE SHELF

WxHxD	SKU
24"x36"x12"	W2436
27"x36"x12"	W2736
30"x36"x12"	W3036
33"x36"x12"	W3336
36"x36"x12"	W3636

Modifications available.

42" HIGH

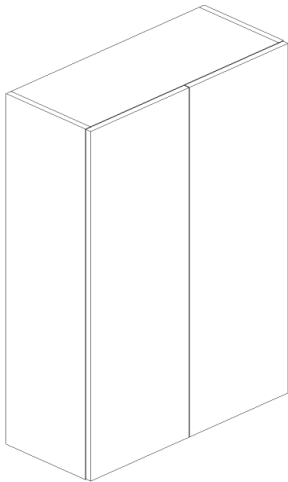
# WALL CABINETS



SINGLE DOOR,  
TRIPLE SHELF

WxHxD	SKU
9"x42"x12"	W0942
12"x42"x12"	W1242
15"x42"x12"	W1542
18"x42"x12"	W1842
21"x42"x12"	W2142

Modifications available.



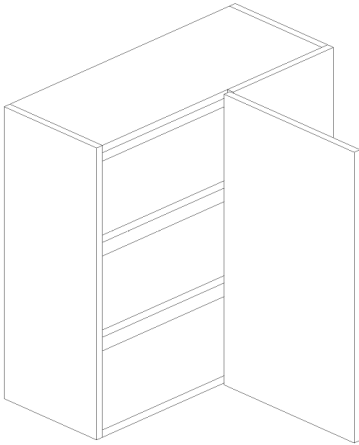
DOUBLE DOOR,  
TRIPLE SHELF

WxHxD	SKU
24"x42"x12"	W2442
27"x42"x12"	W2742
30"x42"x12"	W3042
33"x42"x12"	W3342
36"x42"x12"	W3642

Modifications available.

30"-36" HIGH

## WALL BLIND CORNER



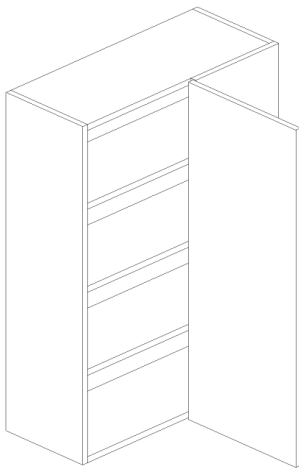
SINGLE DOOR,  
DOUBLE SHELF

WxHxD	SKU
30"x30"x12"	WBC3030
30"x36"x12"	WBC3036

Modifications available.  
Door width 14 $\frac{7}{8}$ ". Right hinge shown.  
3" filler required adjacent to blind corner.

42" HIGH

## WALL BLIND CORNER



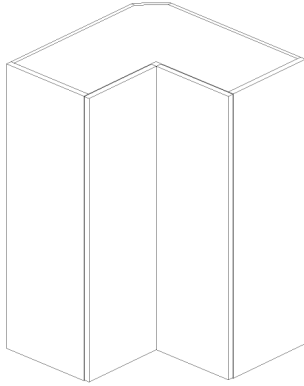
SINGLE DOOR,  
TRIPLE SHELF

WxHxD	SKU
30"x42"x12"	WBC3042

Modifications available.  
Door width 14 $\frac{7}{8}$ ". Right hinge shown.  
3" filler required adjacent to blind corner.

30"-36" HIGH

## WALL EASY-REACH CABINETS

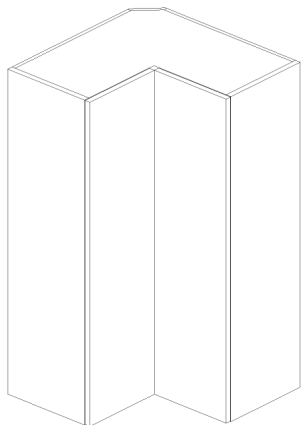


DOUBLE SHELF

WxHxD	SKU
24"x30"x24"	WEZR2430
24"x36"x24"	WEZR2436

42" HIGH

## WALL EASY-REACH CABINET

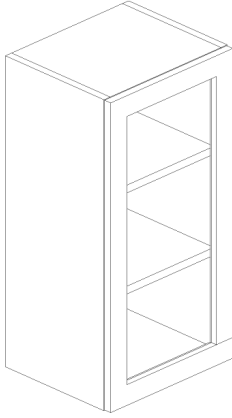


TRIPLE SHELF

WxHxD	SKU
24"x42"x24"	WEZR2442

30" HIGH

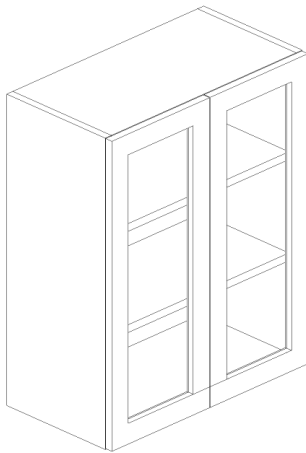
# WALL GLASS DOOR CABINETS



SINGLE GLASS DOOR

WxHxD	SKU
12"x30"x12"	W1230
15"x30"x12"	W1530
18"x30"x12"	W1830

Modifications available.



DOUBLE GLASS DOOR

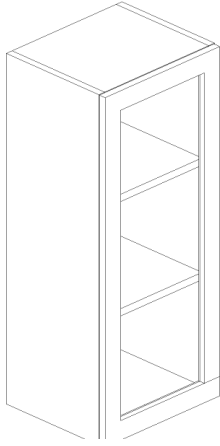
WxHxD	SKU
24"x30"x12"	W2430
30"x30"x12"	W3030
36"x30"x12"	W3630

Modifications available.



36" HIGH

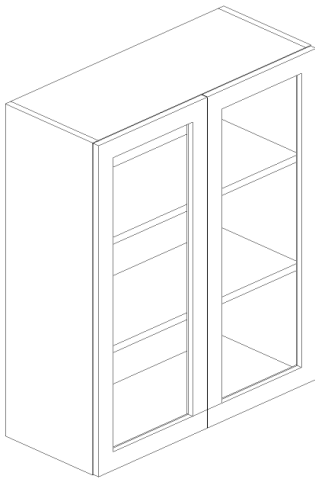
# WALL GLASS DOOR CABINETS



SINGLE GLASS DOOR

WxHxD	SKU
12"x36"x12"	W1236
15"x36"x12"	W1536
18"x36"x12"	W1836

Modifications available.



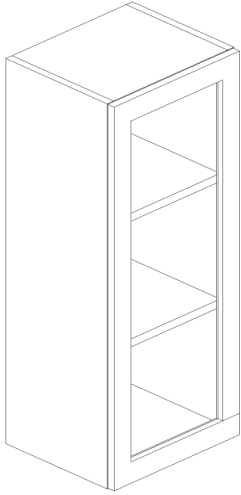
DOUBLE GLASS DOOR

WxHxD	SKU
24"x36"x12"	W2436
30"x36"x12"	W3036
36"x36"x12"	W3636

Modifications available.

42" HIGH

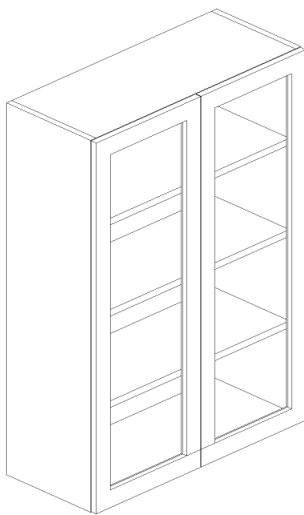
# WALL GLASS DOOR CABINETS



SINGLE GLASS DOOR

WxHxD	SKU
12"x42"x12"	W1242
15"x42"x12"	W1542
18"x42"x12"	W1842

Modifications available.



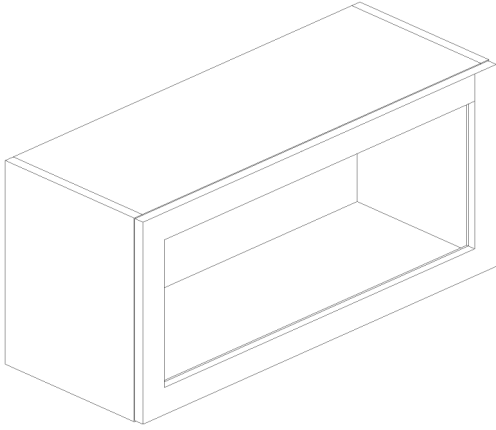
DOUBLE GLASS DOOR

WxHxD	SKU
24"x42"x12"	W2442
30"x42"x12"	W3042
36"x42"x12"	W3642

Modifications available.

12"-18" HIGH FLIP-UP

# WALL GLASS DOOR CABINETS



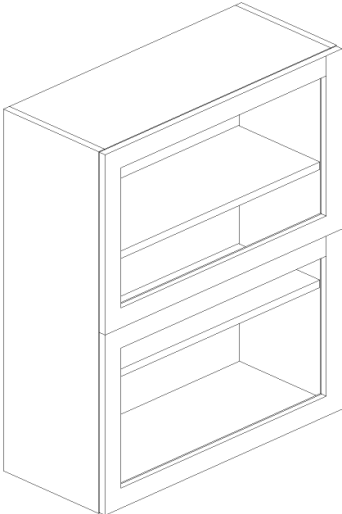
GLASS DOOR

WxHxD	SKU
30"x12"x12"	W3012UP
30"x15"x12"	W3015UP
30"x18"x12"	W3018UP
33"x12"x12"	W3312UP
33"x15"x12"	W3315UP
33"x18"x12"	W3318UP
36"x12"x12"	W3612UP
36"x15"x12"	W3615UP
36"x18"x12"	W3618UP

Modifications available.

30"-36" HIGH FLIP-UP

# WALL GLASS DOOR CABINETS

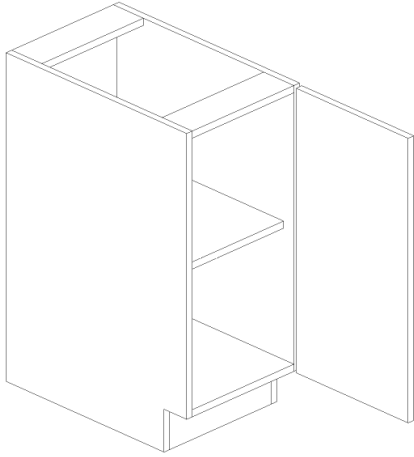


GLASS DOOR

WxHxD	SKU
30"x30"x12"	W3030UP
30"x36"x12"	W3036UP
36"x30"x12"	W3630UP
36"x36"x12"	W3636UP

Modifications available.

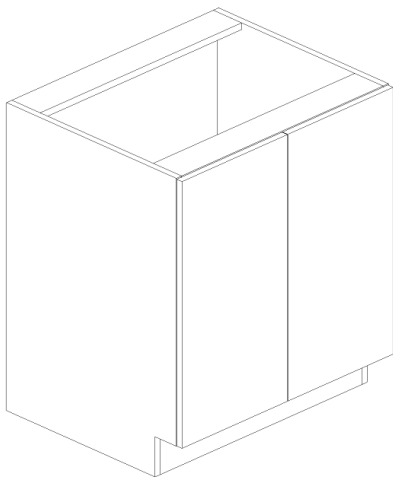
# FULL-HEIGHT DOOR BASE CABINETS



SINGLE DOOR

WxHxD	SKU
9"x34.5"x24"	BFH09
12"x34.5"x24"	BFH12
15"x34.5"x24"	BFH15
18"x34.5"x24"	BFH18
21"x34.5"x24"	BFH21

Modifications available.



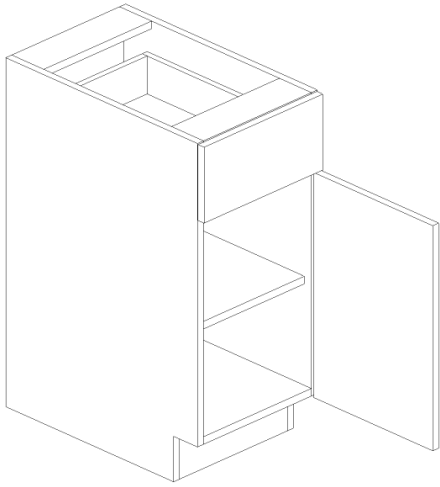
DOUBLE DOOR

WxHxD	SKU
24"x34.5"x24"	BFH24
27"x34.5"x24"	BFH27
30"x34.5"x24"	BFH30
33"x34.5"x24"	BFH33
36"x34.5"x24"	BFH36

Modifications available.

## BASE WITH DRAWER

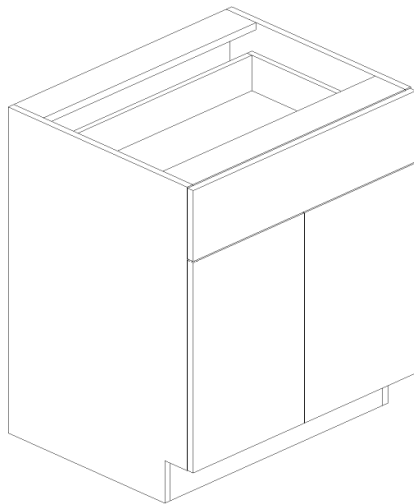
# BASE CABINETS



SINGLE DOOR

WxHxD	SKU
12"x34.5"x24"	B12
15"x34.5"x24"	B15
18"x34.5"x24"	B18
21"x34.5"x24"	B21

Modifications available.

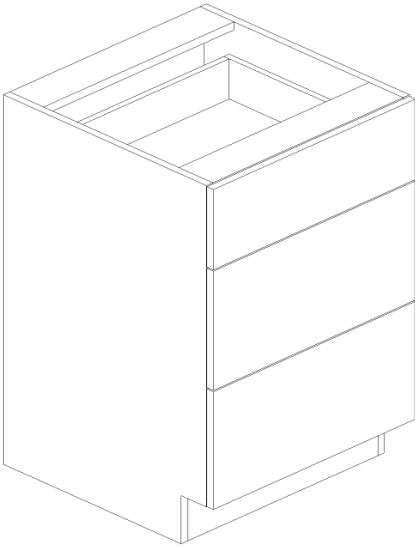


DOUBLE DOOR

WxHxD	SKU
24"x34.5"x24"	B24
27"x34.5"x24"	B27
30"x34.5"x24"	B30
33"x34.5"x24"	B33
36"x34.5"x24"	B36

Modifications available.

THREE-DRAWER  
BASE CABINETS

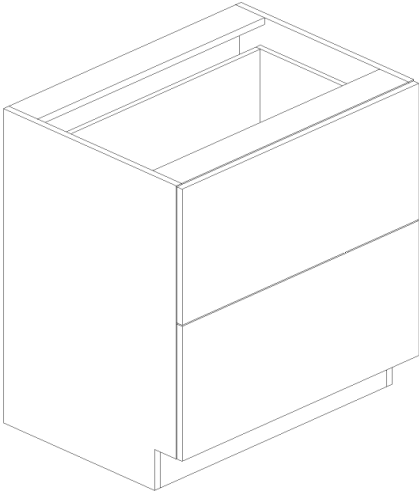


WxHxD	SKU
12"x34.5"x24"	3DB12
15"x34.5"x24"	3DB15
18"x34.5"x24"	3DB18
21"x34.5"x24"	3DB21
24"x34.5"x24"	3DB24
27"x34.5"x24"	3DB27
30"x34.5"x24"	3DB30
33"x34.5"x24"	3DB33
36"x34.5"x24"	3DB36

Modifications available.

TWO-DRAWER

# BASE CABINETS



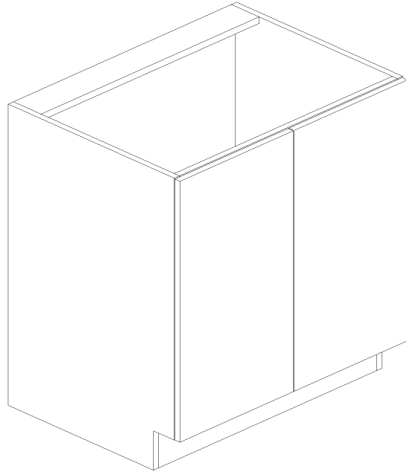
WxHxD	SKU
30"x34.5"x24"	2DB30
33"x34.5"x24"	2DB33
36"x34.5"x24"	2DB36

Modifications available.



FULL-HEIGHT DOOR

## SINK BASE CABINET

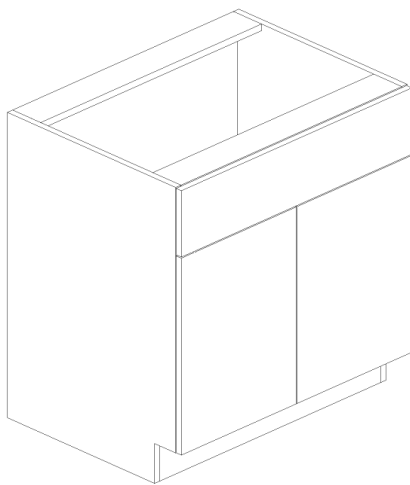


WxHxD	SKU
30"x34.5"x24"	SBFH30
33"x34.5"x24"	SBFH33
36"x34.5"x24"	SBFH36

Modifications available.

FALSE FRONT

## SINK BASE CABINET

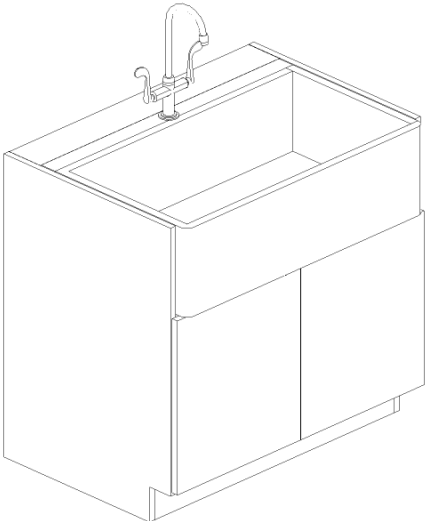


WxHxD	SKU
30"x34.5"x24"	SB30
33"x34.5"x24"	SB33
36"x34.5"x24"	SB36

Modifications available.

FARM SINK

# SINK BASE CABINET

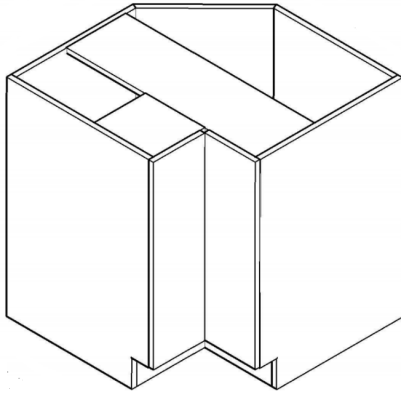


WxHxD	SKU
36"x34.5"x24"	FS36

Modifications available.  
Comes with 10.75" high trimmable face.  
Doors are 19" high.

## LAZY SUSAN

# BASE CABINET

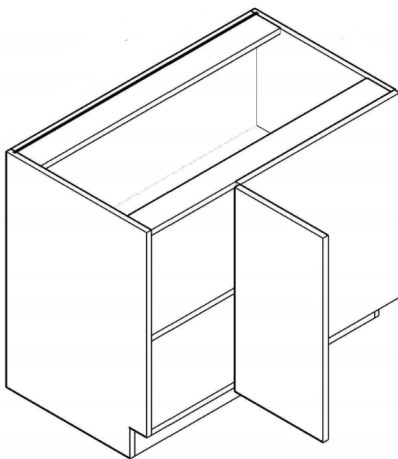


WxHxD	SKU
33"x34.5"x33"	LSB33
36"x34.5"x36"	LSB36

Modifications available.  
Comes standard with post-type double Lazy Susan insert.

## BLIND CORNER

# BASE CABINET

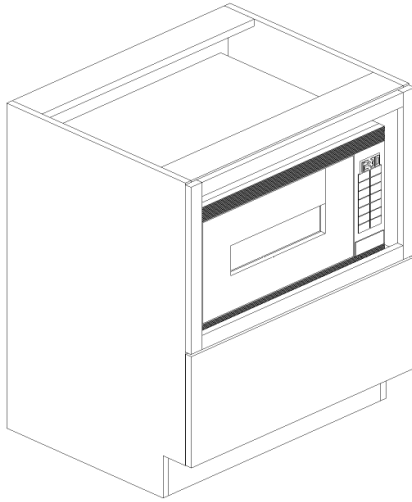


WxHxD	SKU
42"x34.5"x24"	BLB42
45"x34.5"x24"	BLB45

Modifications available.  
BLB42 door width 14 $\frac{7}{8}$ " and BLB45 door width 17 $\frac{7}{8}$ ".  
Right hinge option shown.  
3" filler required adjacent to blind corner.

MICROWAVE

BASE CABINET

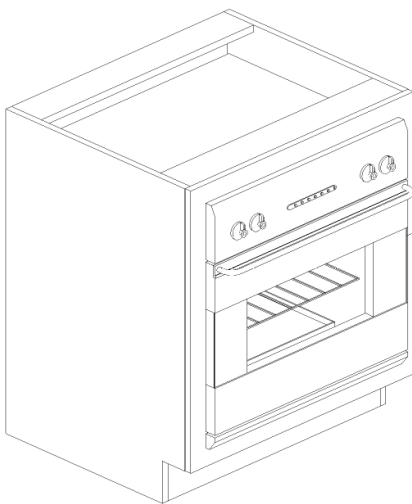


WxHxD	SKU
24"x34.5"x24"	BMO24
30"x34.5"x24"	BMO30

Modifications available.  
Bottom drawer height 11.125".  
Has stationary shelf to support microwave.  
Comes with solid face panel to be cut in field.

OVEN

BASE CABINET



WxHxD	SKU
30"x34.5"x24"	BOC30

Modifications available.  
Comes with solid face panel to be cut in field.

OVEN

TALL CABINET

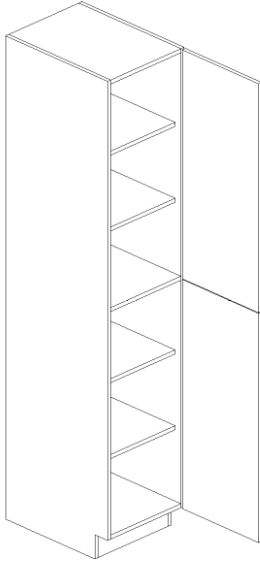


WxHxD	SKU
33"x84"x24"	OC338424-3
33"x90"x24"	OC339024-3
33"x96"x24"	OC339624-3

Modifications available.  
Specify OC33XXXX-3, OC33XXXX-2,  
or OC33XXXX-1 when ordering.  
See specs below.

SKU	TOP DOORS	OVEN PANEL	TOP DRAWER	MIDDLE DRAWER	BOTTOM DRAWER
OC338424-3	11.875"	37.625"	7.5"	11.125"	11.125"
OC339024-3	17.875"	37.625"	7.5"	11.125"	11.125"
OC339624-3	23.875"	37.625"	7.5"	11.125"	11.125"
OC338424-2	11.875"	45.125"	N/A	11.125"	11.125"
OC339024-2	17.875"	45.125"	N/A	11.125"	11.125"
OC339624-2	23.875"	45.125"	N/A	11.125"	11.125"
OC338424-1	11.875"	56.25"	N/A	N/A	11.125"
OC339024-1	17.875"	56.25"	N/A	N/A	11.125"
OC339624-1	23.875"	56.25"	N/A	N/A	11.125"

# PANTRY

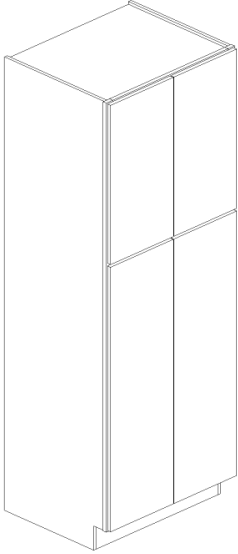


SINGLE DOOR

WxHxD	SKU
15"x84"x24"	TP158424
15"x90"x24"	TP159024
15"x96"x24"	TP159624
18"x84"x24"	TP188424
18"x90"x24"	TP189024
18"x96"x24"	TP189624

Modifications available.  
Standard door configuration is equal split.  
Can be changed with CHD change door  
configuration mod. See page 51.

# PANTRY

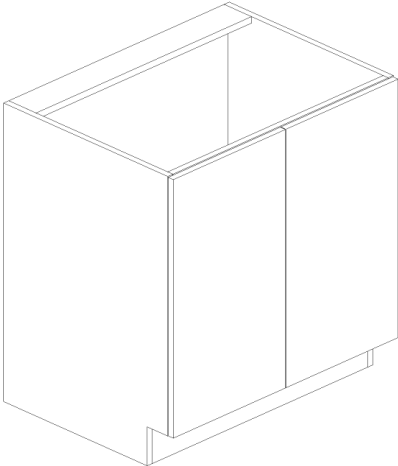


DOUBLE DOOR

WxHxD	SKU
24"x84"x24"	TP248424
24"x90"x24"	TP249024
24"x96"x24"	TP249624
30"x84"x24"	TP308424
30"x90"x24"	TP309024
30"x96"x24"	TP309624

Modifications available.  
Standard door configuration is equal split.  
Can be changed with CHD change door  
configuration mod. See page 51.

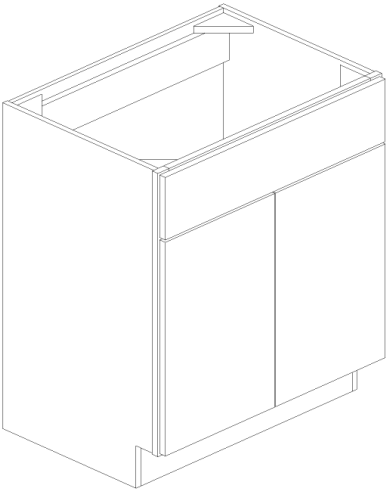
SINK BASE FULL HEIGHT  
**VANITY CABINET**



WxHxD	SKU
24"x32"x21"	VSBFH24
30"x32"x21"	VSBFH30
36"x32"x21"	VSBFH36

Modifications available.

SINK BASE FALSE FRONT  
**VANITY CABINET**



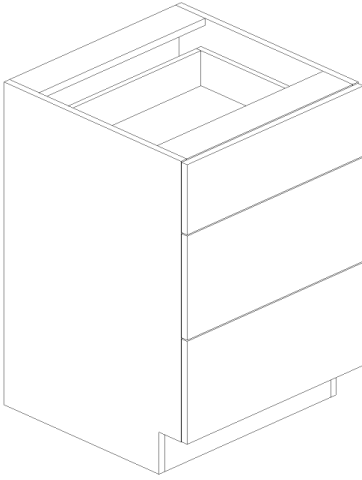
WxHxD	SKU
24"x32"x21"	VSB24
30"x32"x21"	VSB30
36"x32"x21"	VSB36

Modifications available.



## DRAWER BASE

# VANITY CABINET

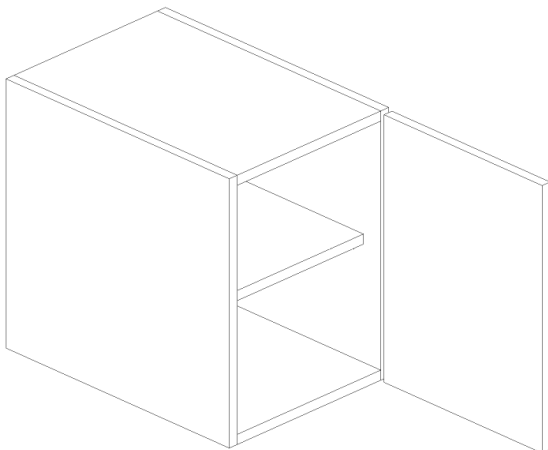


WxHxD	SKU
12"x32"x21"	VDB12
15"x32"x21"	VDB15
18"x32"x21"	VDB18

Modifications available.

## HANGING BASE

# VANITY CABINET

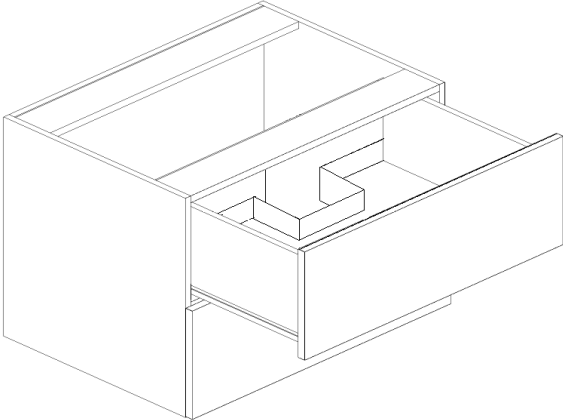


WxHxD	SKU
12"x20"x21"	VHB12
15"x20"x21"	VHB15
18"x20"x21"	VHB18

Modifications available.

HANGING DRAWER SINK BASE

# VANITY CABINET

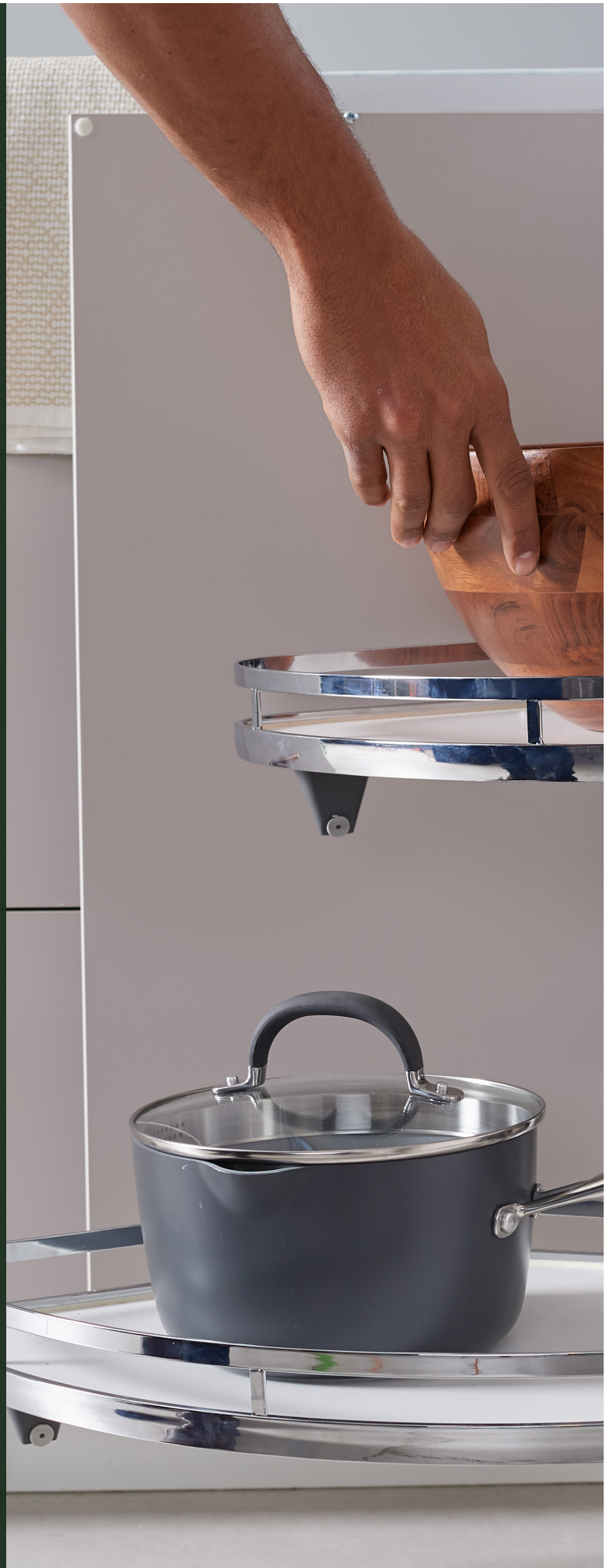


WxHxD	SKU
24"x20"x21"	VHDSB24
30"x20"x21"	VHDSB30
36"x20"x21"	VHDSB36

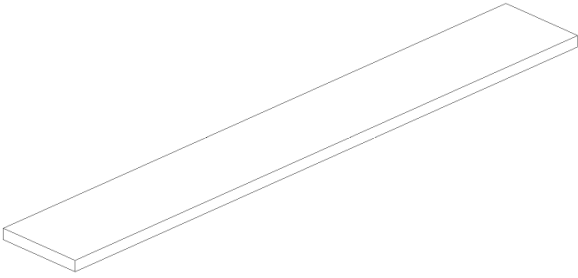
Modifications available.

# ACCESSORIES

It's important to remember that the final embellishments can really bring a beautiful design together. Our accessories help put the final touches on your product selection.

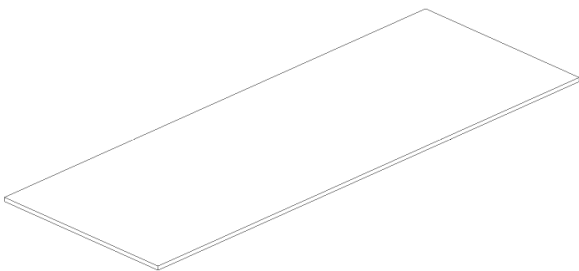


## FILLER PANEL



WxHxD	SKU
6"x30"x0.75"	F630
6"x36"x0.75"	F636
6"x42"x0.75"	F642
6"x96"x0.75"	F696

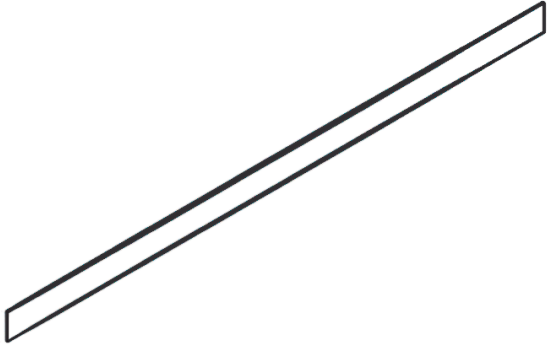
## FINISHED END PANEL



WxHxD	SKU
25"x35"x0.75"	PNL2535
25"x96"x0.75"	PNL2596
35"x96"x0.75"	PNL3596
48"x96"x0.75"	PNL4896

Use the BND modification to cut and band to size.

# TOE KICK PANEL



WxHxD	SKU
96"x4.5"x0.75"	TK96

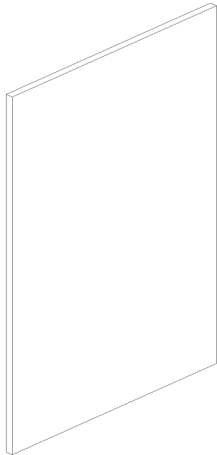
# FINISHED END WALL PANEL



WxHxD	SKU
13"x30"x0.75"	WDD1330
13"x36"x0.75"	WDD1336
13"x42"x0.75"	WDD1342

Use the BND modification to cut and band to size.

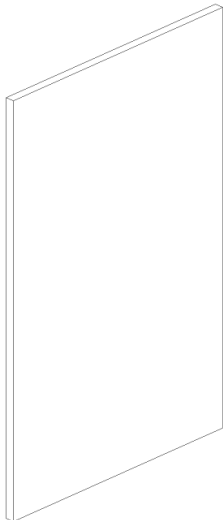
FINISHED END  
BASE PANEL



WxHxD	SKU
25.25"x35"x0.75"	BDD25.25x35

Use the BND modification to cut and band to size.

FINISHED END  
VANITY PANEL

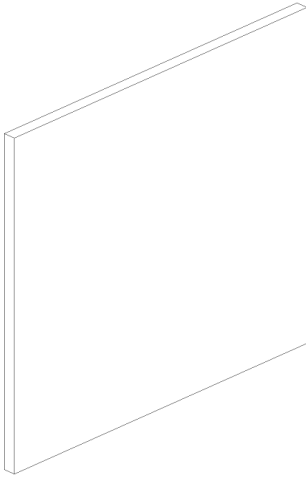


WxHxD	SKU
22"x35"x0.75"	VDD2235

Use the BND modification to cut and band to size.

FINISHED END

# HANGING VANITY

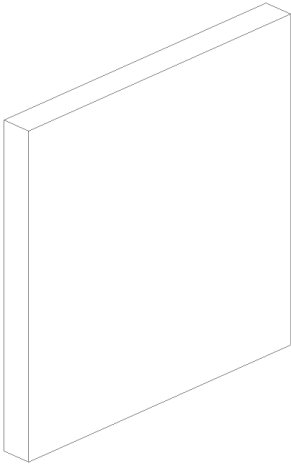


WxHxD	SKU
22"x20"x0.75"	VHDD2220

Use the BND modification to cut and band to size.

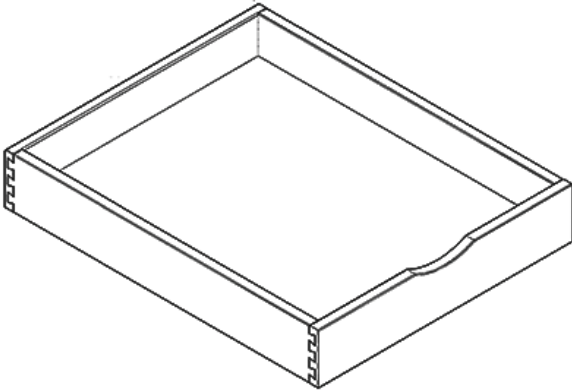
8"x8"

# SAMPLE DOOR



WxHxD	SKU
8"x8"x0.75"	SD0808

# ROLLOUT TRAY



SKU
MBOX-ROT15
MBOX-ROT18
MBOX-ROT21
MBOX-ROT24
MBOX-ROT27
MBOX-ROT30
MBOX-ROT33
MBOX-ROT36

Rollouts ship loose. Must be installed in field.



## MULTIPURPOSE BASKET



### SKU

ACC-MB24

ACC-MB30

ACC-MB36

Can be shipped loose or installed in cabinet.  
Can be installed as a rollout type tray or attached to a drawer front.  
Please specify when ordering.

## PANTRY BASKET



### SKU

ACC-PAB18

ACC-PAB21

Can be installed in BFH18 and BFH21.

## PULLOUT BASKET



### SKU

ACC-PB18

ACC-PB21

ACC-PB24

ACC-PB27

ACC-PB30

ACC-PB33

ACC-PB36

Can be shipped loose or installed in cabinet.  
Can be installed as a rollout type tray or attached to a drawer front.  
Please specify when ordering.

## MAGIC CORNER



### SKU

ACC-MC45L

ACC-MC45R

Can be installed in BLB45 and BLB45.

## PULLDOWN SHELF



SKU

ACC-PDS30

Must be installed in W3024 or W3024UP.

## REVOLVING 270° BASKET



SKU

ACC-RB36

Comes standard in Lazy Susan Cabinets.

## SWIVEL PULLOUT



SKU

ACC-SP18

Can be installed in TP188424, TP189024, or TP189624.  
Door arrangement will be modified to fit accessory.

## SPICE PULLOUT



SKU

ACC-SPI9

Can be installed in BFH09 or BFH12.

## SWING TRAY



SKU

ACC-ST45L

ACC-ST45R

Can be installed in BLB45.

## TALL SPACE RETURN



SKU

ACC-STR15

Can be installed in TP158424, TP159024, TP159624, TP188424, TP189024, or TP189624.  
Door arrangement will be modified to fit accessory.

# TRAY BASKET



SKU

ACC-TAB12

Can be installed in BFH12.

# THROUGH BASKET



SKU

ACC-TOB33

ACC-TOB36

Can be installed in SB36, SBFH36, B36, BFH36, 2DB36, or 3DB36.

# WASTE BASKET



SKU

ACC-WAB15

Can be installed in B15, BFH15, B18, or BFH18.  
Two waste baskets included.



MODIFICATIONS



# MODIFICATIONS

## KEY

RDB	REDUCE DEPTH BASE	IDT	INCREASE DEPTH TALL	MBC	MAKE BENCH CABINET
RDD	REDUCE DEPTH DRAWER	CTK	CUT TOE KICK	VTD	VOID TOP DRAWER
RDW	REDUCE DEPTH WALL	CTW	CUT WIDTH	CHW	CUT HEIGHT WALL
RDT	REDUCE DEPTH TALL	CHD	CHANGE DOOR ARRANGEMENT	CHT	CUT HEIGHT TALL
IDW	INCREASE DEPTH WALL	BND	CUT AND BAND		

SKU	RDB	RDD	RDW	RDT	IDW	IDT	CTK	CTW	CHD	BND	MBC	VTD	CHW	CHT
2DB30		•					•	•			•			
2DB33		•					•	•			•			
2DB36		•					•	•			•			
3DB12		•					•	•			•	•		
3DB15		•					•	•			•	•		
3DB18		•					•	•			•	•		
3DB21		•					•	•			•	•		
3DB24		•					•	•			•	•		
3DB27		•					•	•			•	•		
3DB30		•					•	•			•	•		
3DB33		•					•	•			•	•		
3DB36		•					•	•			•	•		
B12	•						•	•				•		
B15	•						•	•				•		
B18	•						•	•				•		
B21	•						•	•				•		
B24	•						•	•	•			•		
B27	•						•	•				•		
B30	•						•	•				•		
B33	•						•	•				•		
B36	•						•	•				•		
BDD25.25x35											•			
BFH09	•						•	•						

# MODIFICATIONS

SKU	RDB	RDD	RDW	RDT	IDW	IDT	CTK	CTW	CHD	BND	MBC	VTD	CHW	CHT
BFH12	•						•	•						
BFH15	•						•	•						
BFH18	•						•	•						
BFH21	•						•	•						
BFH24	•						•	•	•					
BFH27	•						•	•						
BFH30	•						•	•						
BFH33	•						•	•						
BFH36	•						•	•						
BLB42	•						•	•						
BLB45	•						•	•						
BMO24	•						•	•			•			
BMO30	•						•	•			•			
BOC30	•						•	•						
F630														
F636														
F642														
F696														
FS36	•						•	•						
LSB33							•							
LSB36							•							
OC338424-3				•		•	•	•						•
OC338424-2				•		•	•	•						•
OC338424-1				•		•	•	•						•
OC339024-3				•		•	•	•						•
OC339024-2				•		•	•	•						•
OC339024-1				•		•	•	•						•

# MODIFICATIONS

SKU	RDB	RDD	RDW	RDT	IDW	IDT	CTK	CTW	CHD	BND	MBC	VTD	CHW	CHT
OC339624-3				•		•	•	•						•
OC339624-2				•		•	•	•						•
OC339624-1				•		•	•	•						•
PNL2535														
PNL2596										•				
PNL3596										•				
PNL4896										•				
SBFH30	•						•	•						
SB30	•						•	•						
SBFH33	•						•	•						
SB33	•						•	•						
SBFH36	•						•	•						
SB36	•						•	•						
SD0808														
TK96														
TP158424				•		•	•	•	•					•
TP159024				•		•	•	•	•					•
TP159624				•		•	•	•	•					•
TP188424				•		•	•	•	•					•
TP189024				•		•	•	•	•					•
TP189624				•		•	•	•	•					•
TP248424				•		•	•	•	•					•
TP249024				•		•	•	•	•					•
TP249624				•		•	•	•	•					•
TP308424				•		•	•	•	•					•
TP309024				•		•	•	•	•					•
TP309624				•		•	•	•	•					•

# MODIFICATIONS

SKU	RDB	RDD	RDW	RDT	IDW	IDT	CTK	CTW	CHD	BND	MBC	VTD	CHW	CHT
VDB12	•						•	•				•		
VDB15	•						•	•				•		
VDB18	•						•	•				•		
VDD2235										•				
VHB12	•						•	•						
VHB15	•						•	•						
VHB18	•						•	•						
VHDD2220										•				
VHDSB24	•						•	•						
VHDSB30	•						•	•						
VHDSB36	•						•	•						
VSBFH24	•						•	•						
VS24	•						•	•						
VSBFH30	•						•	•						
VS30	•						•	•						
VSBFH36	•						•	•						
VS36	•						•	•						
W0930			•		•			•					•	
W0936			•		•			•					•	
W0942			•		•			•					•	
W1230			•		•			•					•	
W1236			•		•			•					•	
W1242			•		•			•					•	
W1530			•		•			•					•	
W1536			•		•			•					•	
W1542			•		•			•					•	
W1830			•		•			•					•	

# MODIFICATIONS

SKU	RDB	RDD	RDW	RDT	IDW	IDT	CTK	CTW	CHD	BND	MBC	VTD	CHW	CHT
W1836			.		.			.					.	
W1842			.		.			.					.	
W2130			.		.			.					.	
W2136			.		.			.					.	
W2142			.		.			.					.	
W2415UP					.			.					.	
W2418UP					.			.					.	
W2430			.		.			.	.				.	
W2436			.		.			.	.				.	
W2442			.		.			.	.				.	
W2730			.		.			.					.	
W2736			.		.			.					.	
W2742			.		.			.					.	
W3012			.		.			.					.	
W3012UP					.			.					.	
W3015			.		.			.					.	
W3015UP					.			.					.	
W3018			.		.			.					.	
W3018UP					.			.					.	
W3024			.		.			.					.	
W3024UP					.			.					.	
W3030			.		.			.					.	
W3030UP					.			.					.	
W3036			.		.			.					.	
W3036UP					.			.					.	
W3042			.		.			.					.	
W3312			.		.			.					.	

# MODIFICATIONS

SKU	RDB	RDD	RDW	RDT	IDW	IDT	CTK	CTW	CHD	BND	MBC	VTD	CHW	CHT
W3312UP					.			.					.	
W3315			.		.			.					.	
W3315UP					.			.					.	
W3318			.		.			.					.	
W3318UP					.			.					.	
W3324			.		.			.					.	
W3324UP					.			.					.	
W3330			.		.			.					.	
W3336			.		.			.					.	
W3342			.		.			.					.	
W3612			.		.			.					.	
W361224			.		.			.					.	
W361224UP					.			.					.	
W3612UP					.			.					.	
W3615			.		.			.					.	
W3615UP					.			.					.	
W3618			.		.			.					.	
W361824			.		.			.					.	
W361824UP					.			.					.	
W3618UP					.			.					.	
W3624			.		.			.					.	
W362424			.		.			.					.	
W362424UP					.			.					.	
W3624UP					.			.					.	
W3630			.		.			.					.	
W3630UP					.			.					.	
W3636			.		.			.					.	

# MODIFICATIONS

SKU	RDB	RDD	RDW	RDT	IDW	IDT	CTK	CTW	CHD	BND	MBC	VTD	CHW	CHT
W3636UP					.			.					.	
W3642			.		.			.					.	
WBC3030			.		.								.	
WBC3036			.		.								.	
WBC3042			.		.								.	
WDD1330										.				
WDD1336										.				
WDD1342										.				
WEZR2430													.	
WEZR2436													.	
WEZR2442													.	

# MODIFICATIONS

## NOTES

---

RDB	REDUCE DEPTH BASE	Most base cabinets can be reduced in depth. Specify your overall depth to front of face. Modified drawer boxes will not have dovetail joints at the back of the drawer. Minimum overall depth is 15". Done in ½" increments.
RDD	REDUCE DEPTH DRAWERS	Most drawer base cabinets can be reduced in depth. Specify your overall depth to front of face. Modified drawer boxes will not have dovetail joints at the back of the drawer. Minimum overall depth is 15". Done in ½" increments.
RDW	REDUCE DEPTH WALL	Most wall cabinets can be reduced in depth. Specify your overall depth to front of face frame. Minimum overall depth is 9". Done in ½" increments.
RDT	REDUCE DEPTH TALL	Most tall cabinets can be reduced in depth. Specify your overall depth to front of face. Minimum overall depth is 9". Done in ½" increments.
IDW	INCREASE DEPTH WALL	Most wall cabinets can be increased in depth. Specify your overall depth to front of face. Maximum depth is 30". Done in ½" increments.
IDT	INCREASE DEPTH TALL	Most tall cabinets can be increased in depth. Specify your overall depth to front of face. Maximum depth is 30". Done in ½" increments.
CTK	CUT TOE KICK	All base cabinets with toe kick can be cut down to 4½". Done in ½" increments.
CTW	CUT WIDTH	Specify width of cabinet. Max cut amount = cabinet width minus 2.5". Drawers may lose dovetail after modification.
CHD	CHANGE DOOR ARRANGEMENT	Some cabinets allow for stock door arrangement to be changed. Use this to change a double-door cabinet to a single door or change the heights of pantry cabinet doors.
BND	CUT AND BAND	We will cut a panel to your specified dimensions and edge band. Done in ¼" increments. Only one cut per panel. A single panel may not be cut multiple times.
MBC	MAKE BENCH CABINET	Factory removed top two drawers on 3DB and top drawer on 2DB cabinets. Finished cabinet single drawer height for 3DB=16" and 2DB=19¾".
VTD	VOID TOP DRAWER	Factory removed top drawer and drawer front re-attached to face. Drawer fronts attached similar to a sink base. Drawer front can also be shipped loose.
CHW	CUT HEIGHT WALL	Most wall cabinets can be reduced in height. Specify your overall height. Minimum overall height is standard cabinet height minus 5.5". Done in ½" increments.
CHT	CUT HEIGHT TALL	Most tall cabinets can be reduced in height. Specify your overall height. Minimum overall height is 42.5". Done in ½" increments. Must specify door arrangement.



#### **PROCRAFT ATLANTA**

6684 Jimmy Carter Blvd, Suite 200, Norcross, GA 30071  
p: 770.837.0909 | f: 770.837.0930  
e: info@procraftatlanta.com

#### **PROCRAFT CHICAGO**

4620 Roosevelt Rd, Hillside, IL 60162  
p: 708.234.1700 | f: 708.234.1701  
e: info@procraftchicago.com

#### **PROCRAFT DALLAS**

2330 Alberta Dr, Suite 100, Dallas, TX 75229  
p: 469.607.2588 | f: 469.480.2599  
e: info@procraftdallas.com

#### **PROCRAFT HOUSTON**

4647 Pine Timbers St, Suite 100, Houston, TX 77041  
p: 832.203.5860 | f: 832.649.3467  
e: info@procrafthouston.com

#### **PROCRAFT JACKSONVILLE**

4030 Philips Hwy, Jacksonville, FL 32207  
p: 904.868.3678 | f: 754.212.2270  
e: info@procraftjacksonville.com

#### **PROCRAFT MIAMI**

1850 S Powerline Rd, Deerfield Beach, FL 33442  
p: 754.212.2277 | f: 754.212.2270  
e: info@procraftmiami.com

#### **PROCRAFT NASHVILLE**

429 McNally Dr, Nashville, TN 37211  
p: 615.528.0399 | f: 615.528.0311  
e: info@procraftcabinetry.com

#### **PROCRAFT PHOENIX**

1030 E. University Dr, Phoenix, AZ 85034  
p: 602-753-3663 | f: 602-492-9697  
e: info@procraftphoenix.com

#### **PROCRAFT SEATTLE**

20848 84th Ave S, Kent, WA 98032  
p: 253.236.8608 | f: 253.236.8815  
e: info@procraftseattle.com

